

[54] SINGLE WHIRLPOOL BATH DISPLAY

[56] References Cited

[76] Inventor: Thomas P. Ebert, P.O. Box 1937, Breckenridge, Colo. 80424

U.S. PATENT DOCUMENTS

D. 237,616 11/1975 Gordon D24/38
D. 246,728 12/1977 Wormser D24/38
3,065,746 11/1962 Gregory D24/38 X

[*] Notice: The portion of the term of this patent subsequent to Sep. 5, 2006 has been disclaimed.

Primary Examiner—Wallace R. Burke
Assistant Examiner—Stella M. Reid
Attorney, Agent, or Firm—Mathew R. P. Perrone, Jr.

[**] Term: 14 Years

[57] CLAIM

The ornamental design for a single whirlpool bath display, as shown.

[21] Appl. No.: 890,622

DESCRIPTION

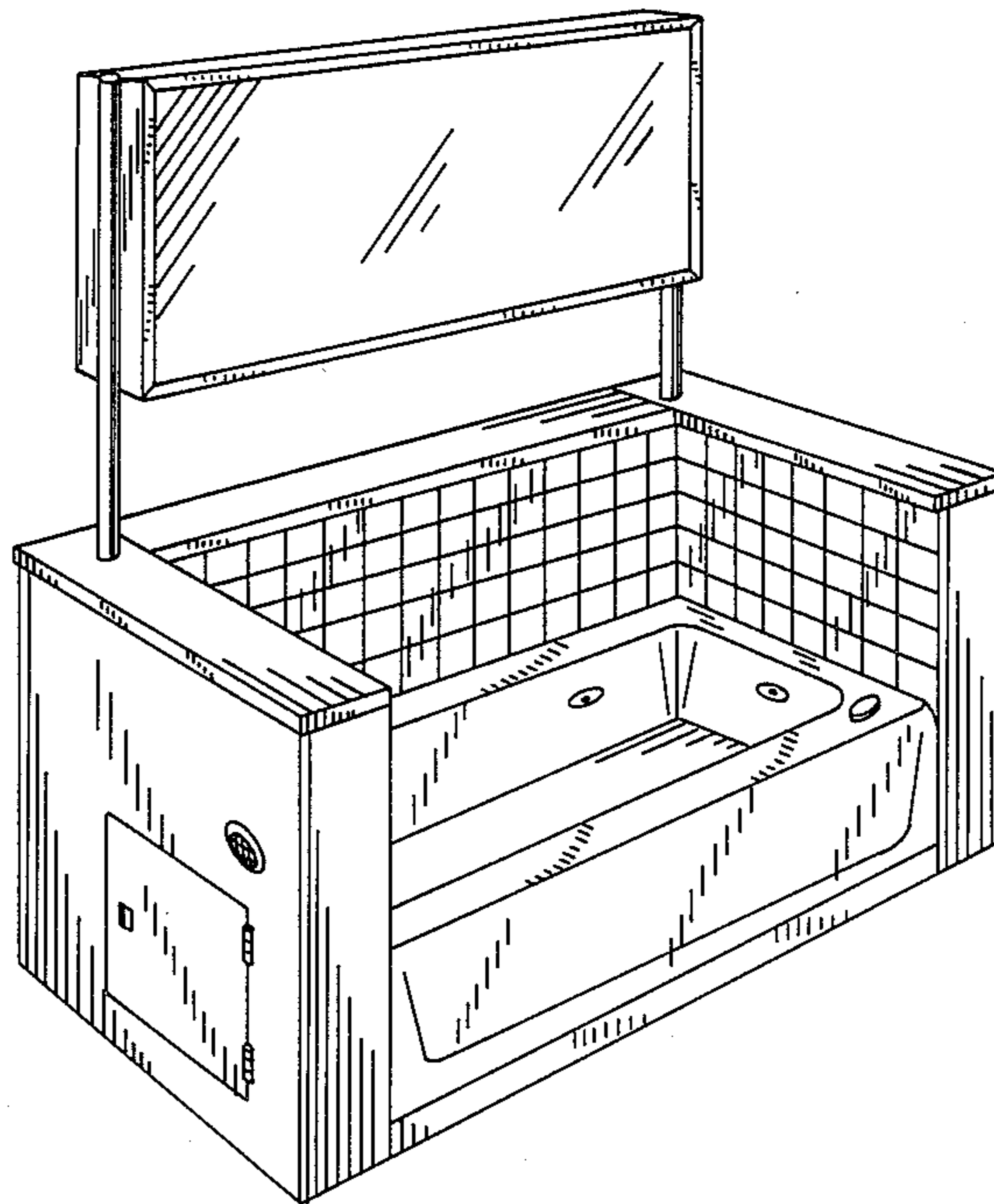
[22] Filed: Jul. 30, 1986

FIG. 1 is a perspective of the single whirlpool bath display, showing my new design;
FIG. 2 is a top plan view thereof;
FIG. 3 is a front elevational view thereof;
FIG. 4 is a left side elevational view thereof; and
FIG. 5 is a right side elevational view thereof.

[52] U.S. Cl. D6/397; D6/399; D24/38

[58] Field of Search D24/38, 36; 4/488, 513, 4/538, 546, 548, 568, 569, 566, 584; 128/369, 66; D23/55, 56, 49; D25/2

The rear of the claimed article is substantially plain and unornamented.



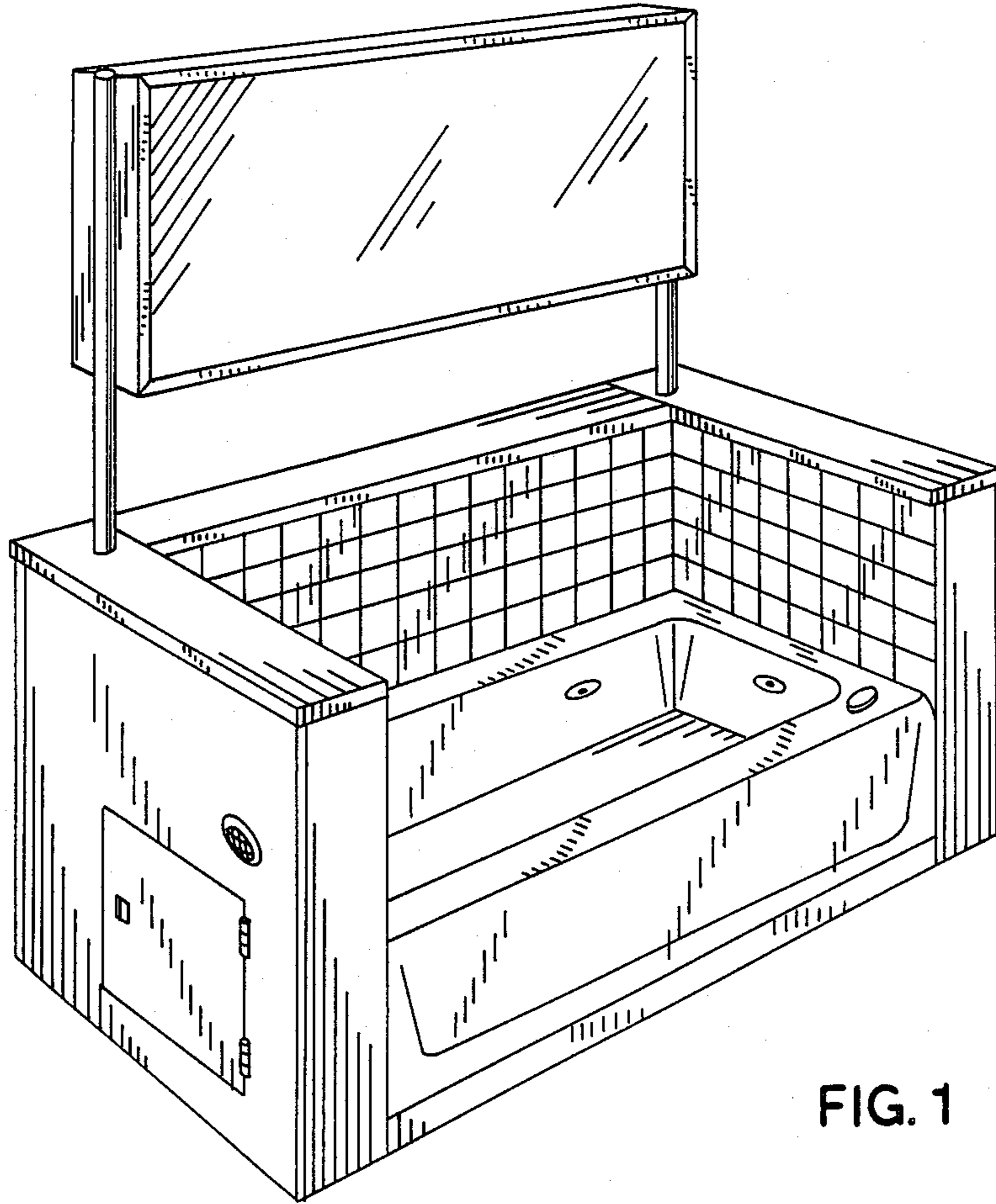


FIG. 1

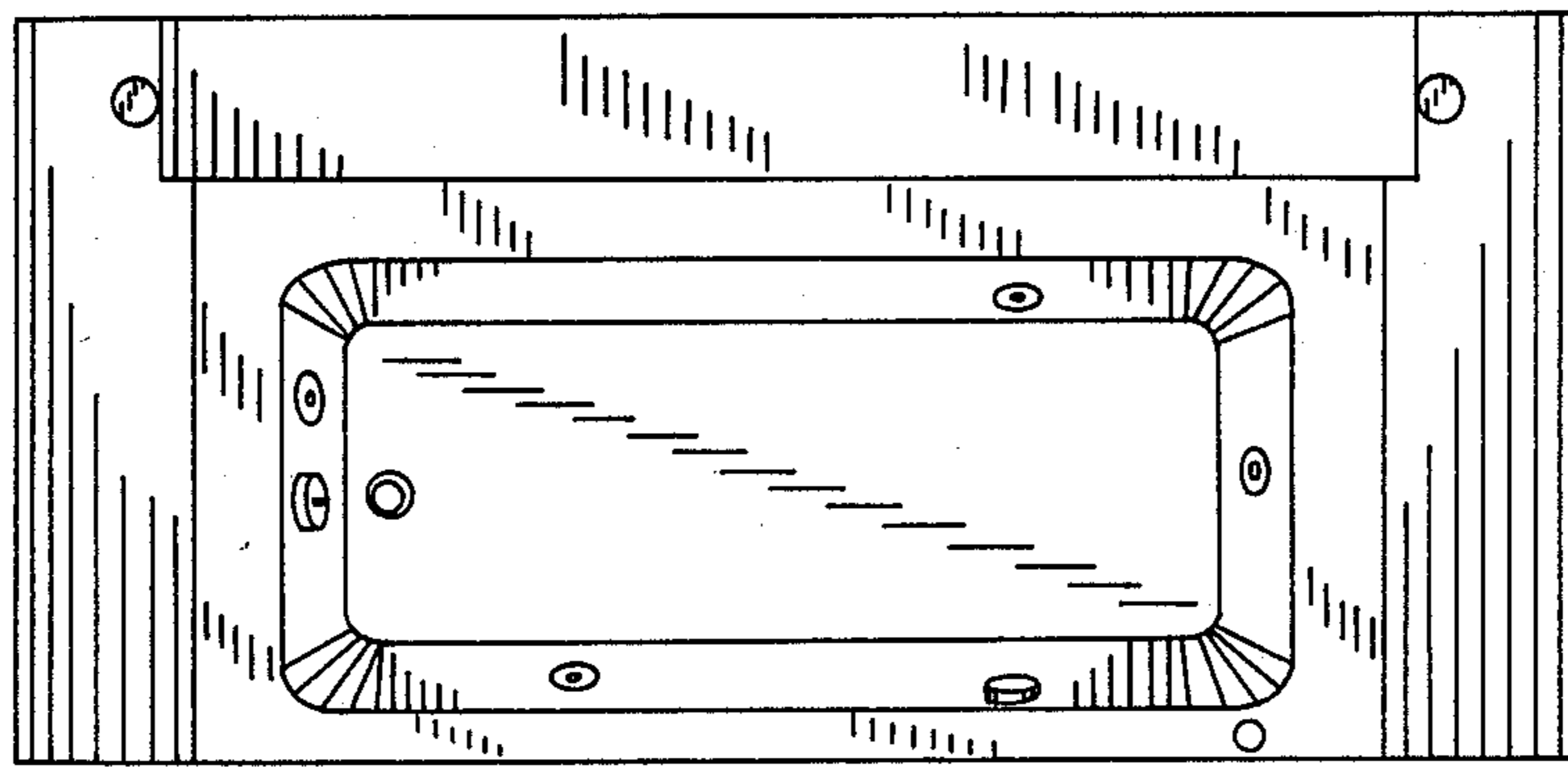


FIG. 2

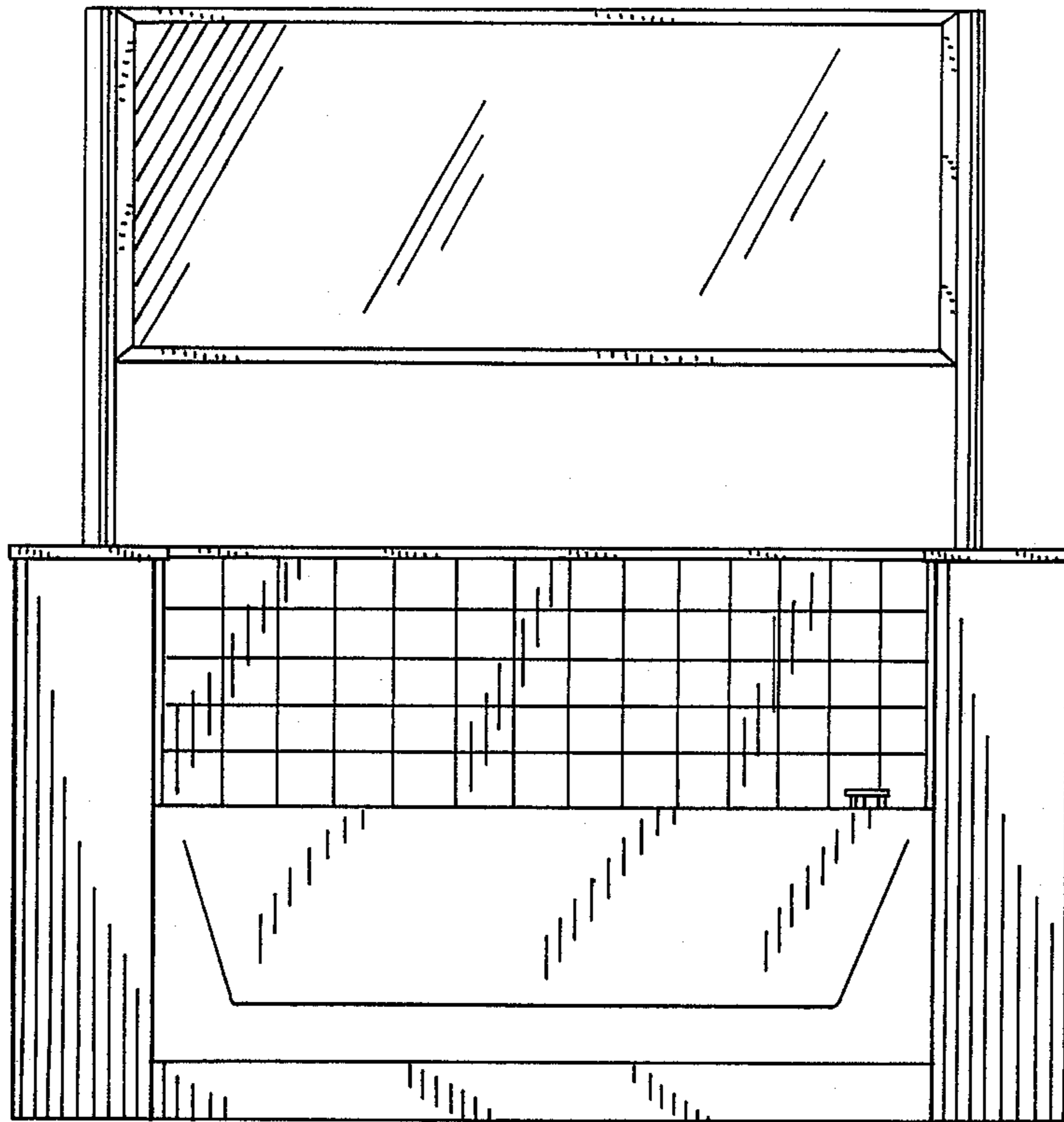


FIG. 3

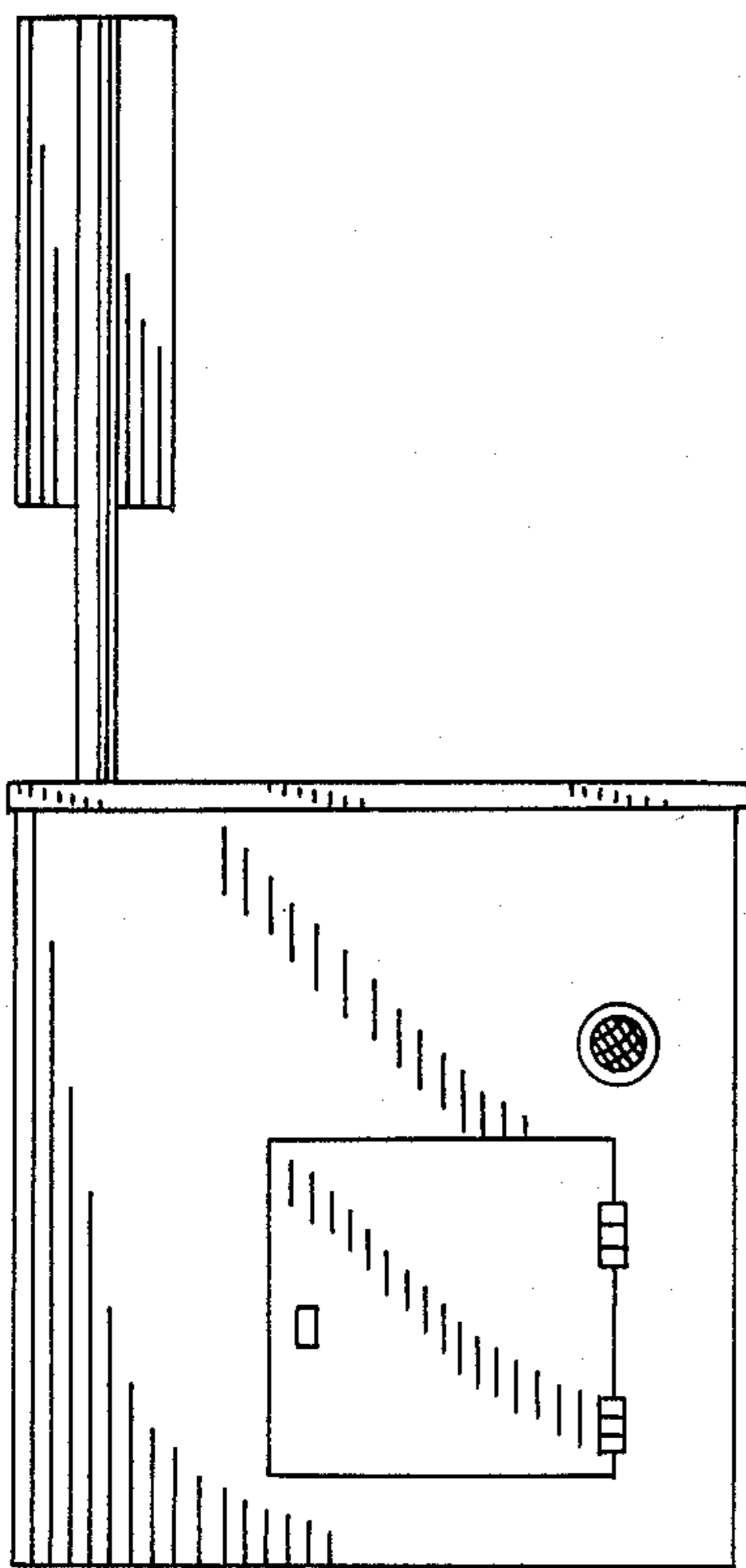


FIG. 4

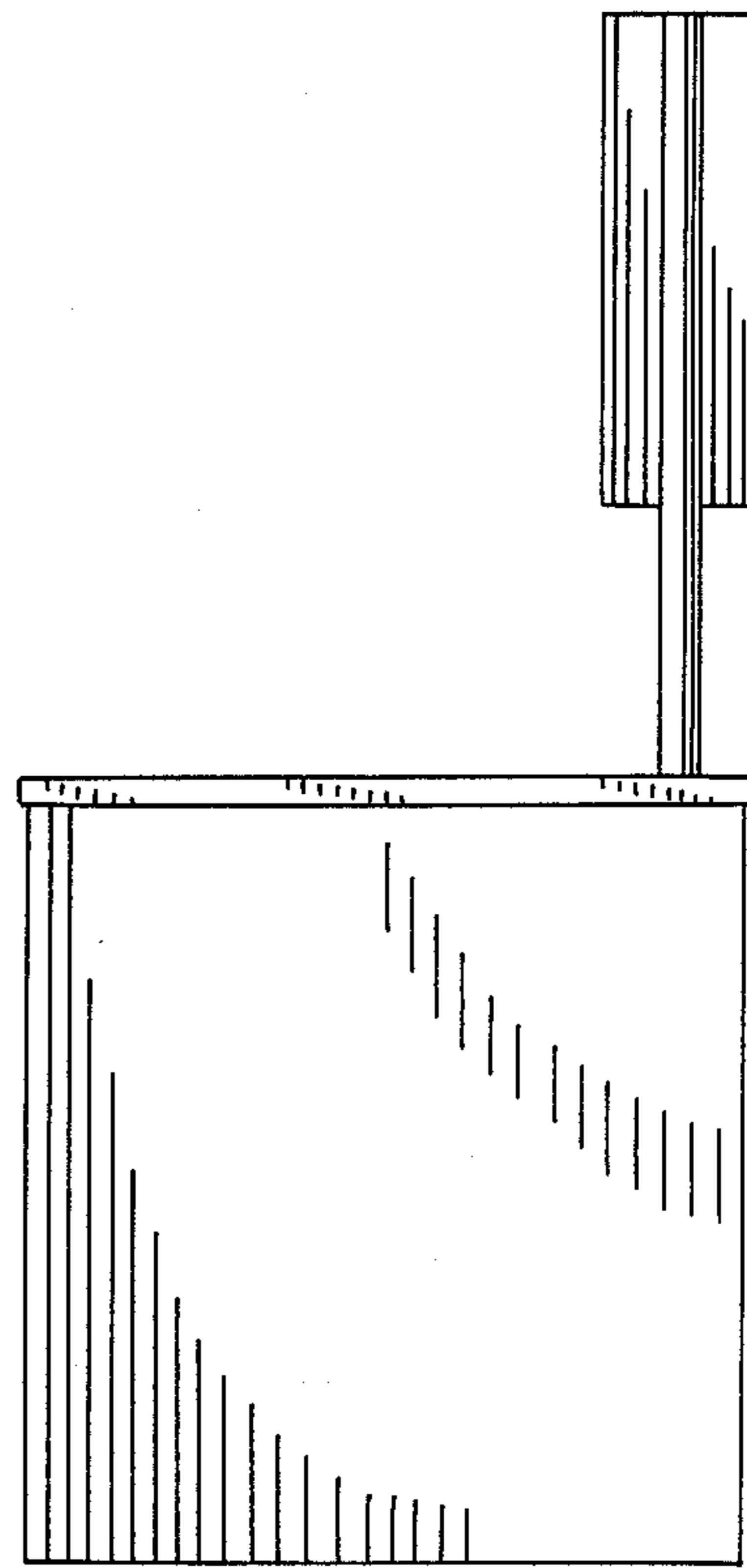


FIG. 5