

[54] GARMEN HANGER

[75] Inventor: David J. Marshall, Doncaster, Australia

[73] Assignee: Spotless Plastics Pty. Ltd., Victoria, Australia

[**] Term: 14 Years

[21] Appl. No.: 54,677

[22] Filed: May 25, 1987

[52] U.S. Cl. D6/319

[58] Field of Search D6/315, 318, 319, 328; 40/322; 211/113; 223/85, 88, 92, 95

[56] References Cited

U.S. PATENT DOCUMENTS

D. 241,903	10/1976	Niclaus	D6/319
D. 272,502	2/1984	Batts	D6/319
D. 273,073	3/1984	Batts et al.	D6/319
D. 283,854	5/1986	Marshall	D6/318
4,274,564	6/1981	Warmath	223/93

FOREIGN PATENT DOCUMENTS

2010774	7/1979	United Kingdom	40/322
2064472	6/1981	United Kingdom	223/85

Primary Examiner—B. J. Bullock

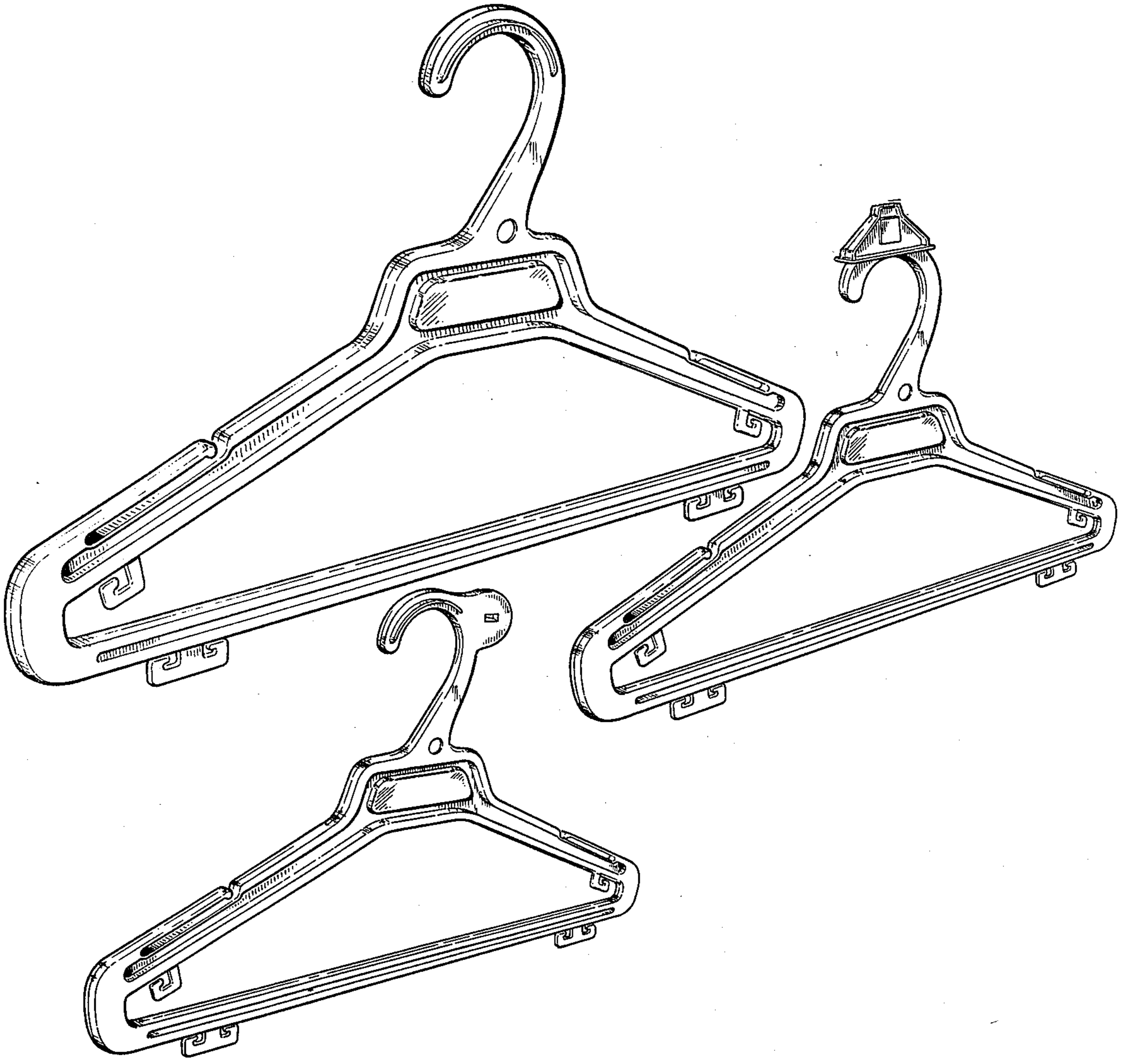
Attorney, Agent, or Firm—Dennison, Meserole, Pollack & Scheiner

[57] CLAIM

The ornamental design for a garment hanger, as shown and described.

DESCRIPTION

FIG. 1 is a front perspective view of a garment hanger showing my new design;
FIG. 2 is a rear perspective view thereof;
FIG. 3 is a front elevational view thereof;
FIG. 4 is a front perspective view of a second embodiment of the design of FIG. 1;
FIG. 5 is a rear elevational view of FIG. 4;
FIG. 6 is a front elevational view of FIG. 4;
FIG. 7 is a front perspective view of a third embodiment of the design of FIG. 1, the rear being substantially identical to FIG. 2 except for the inclusion of the cap-like element;
FIG. 8 is a front elevational view of FIG. 7.



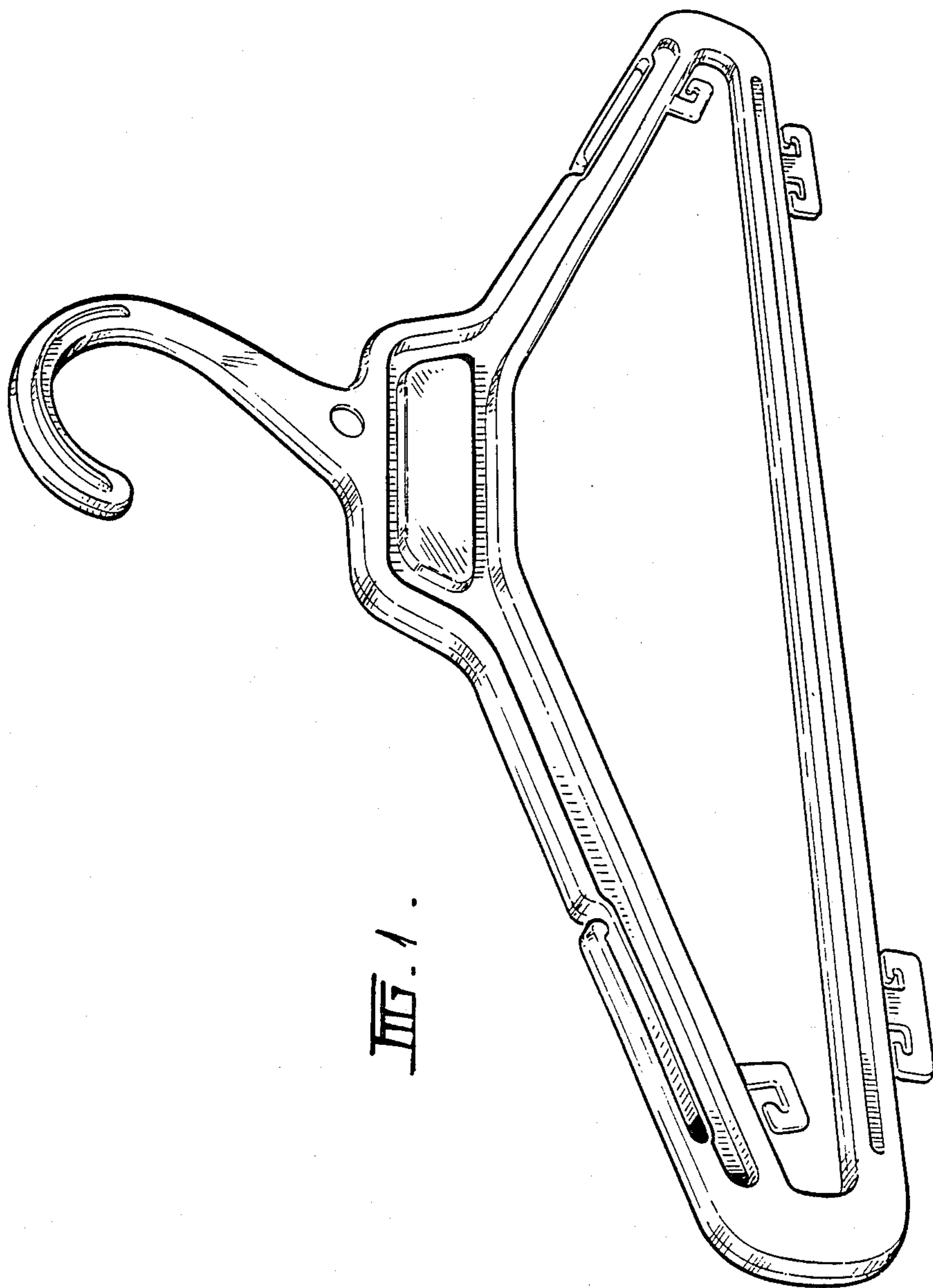


FIG. 1.

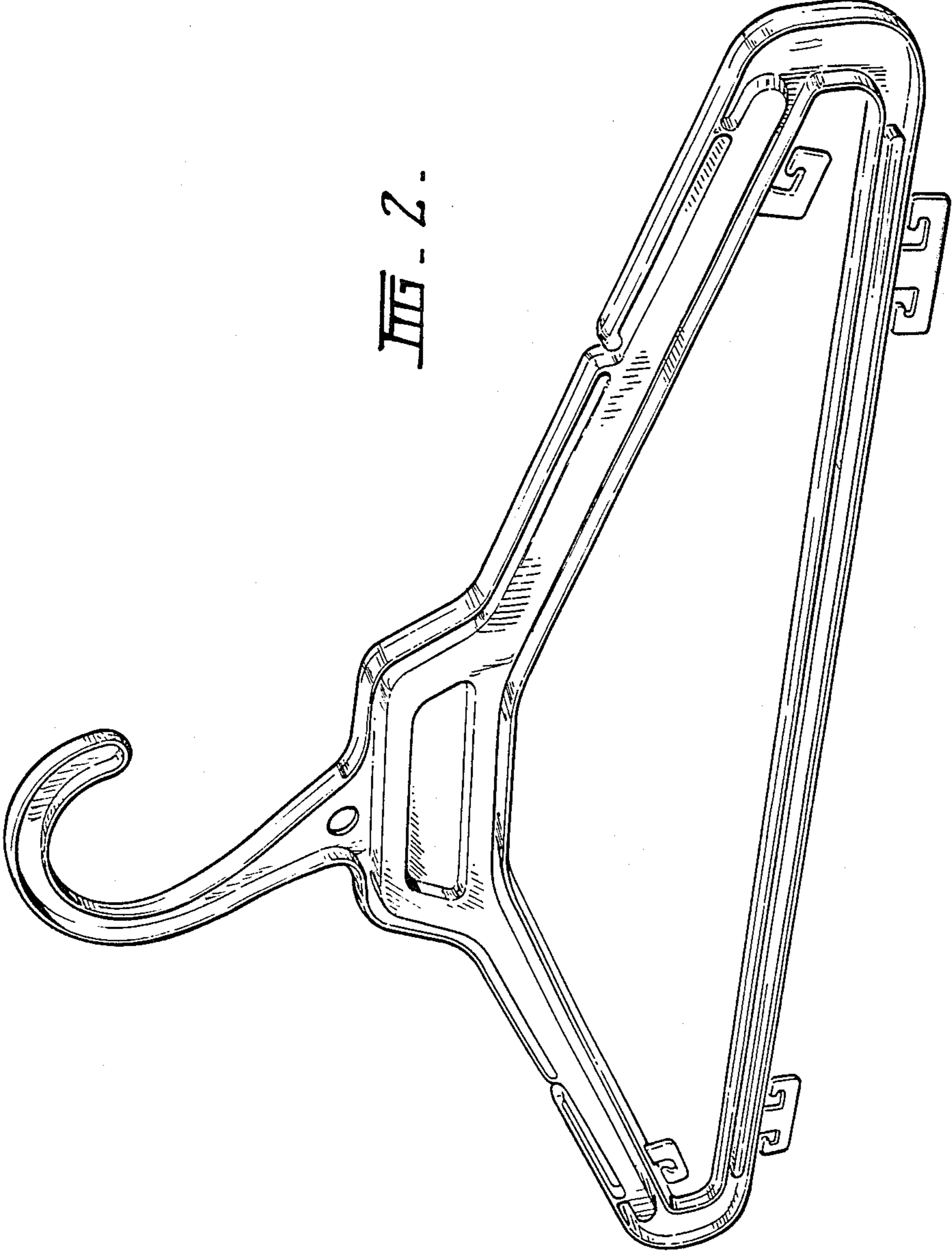


FIG. 2.

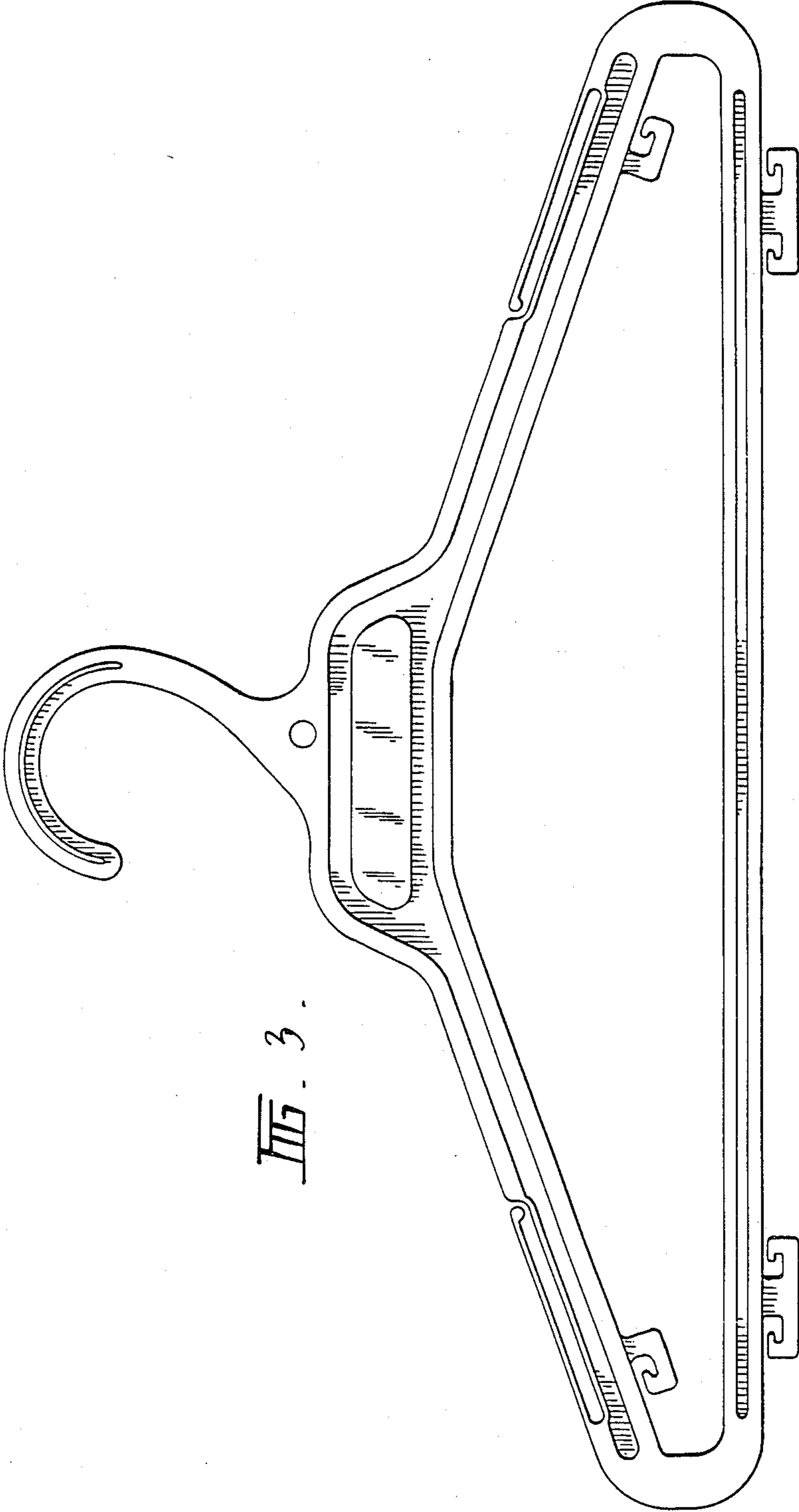


FIG. 3.

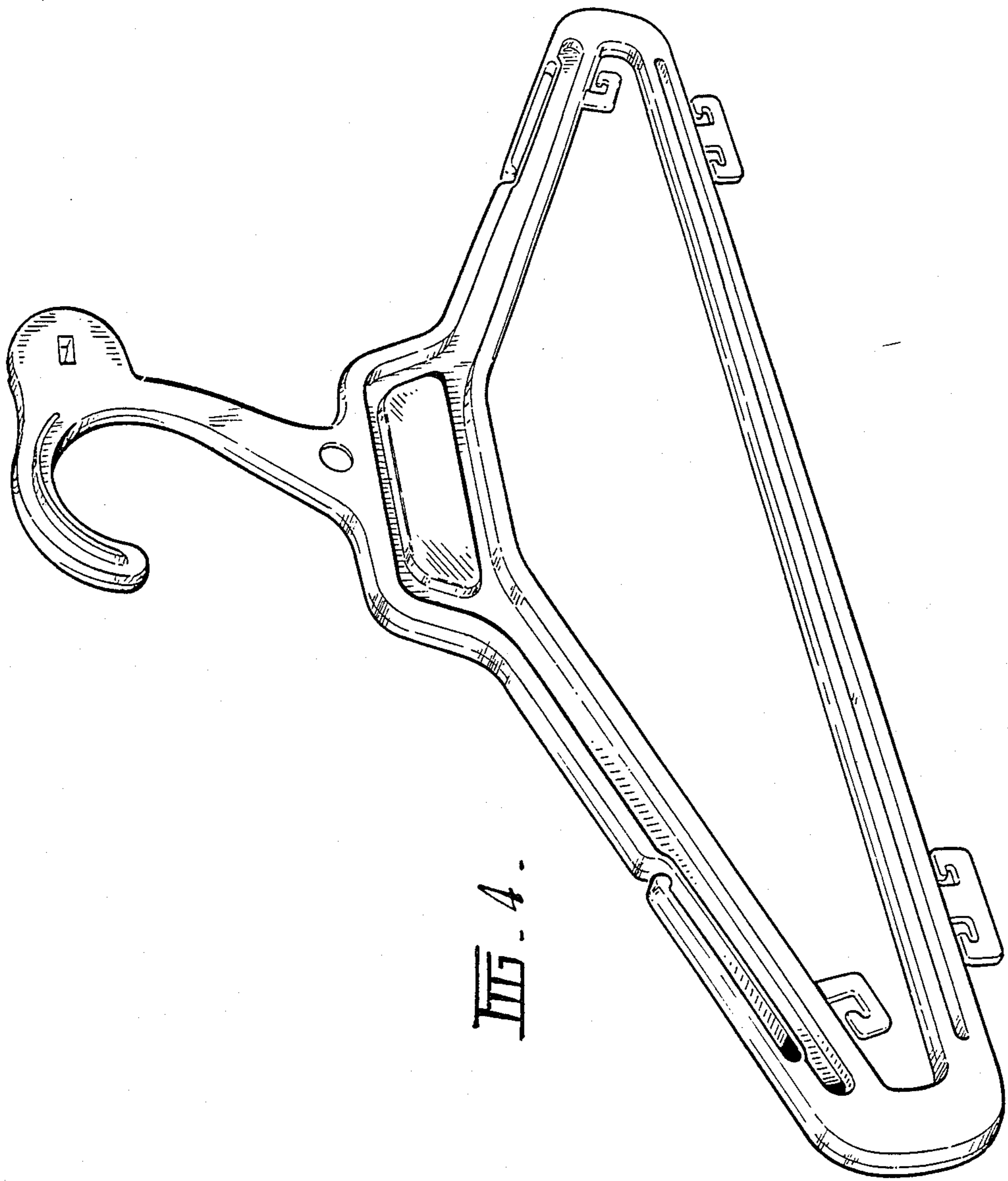
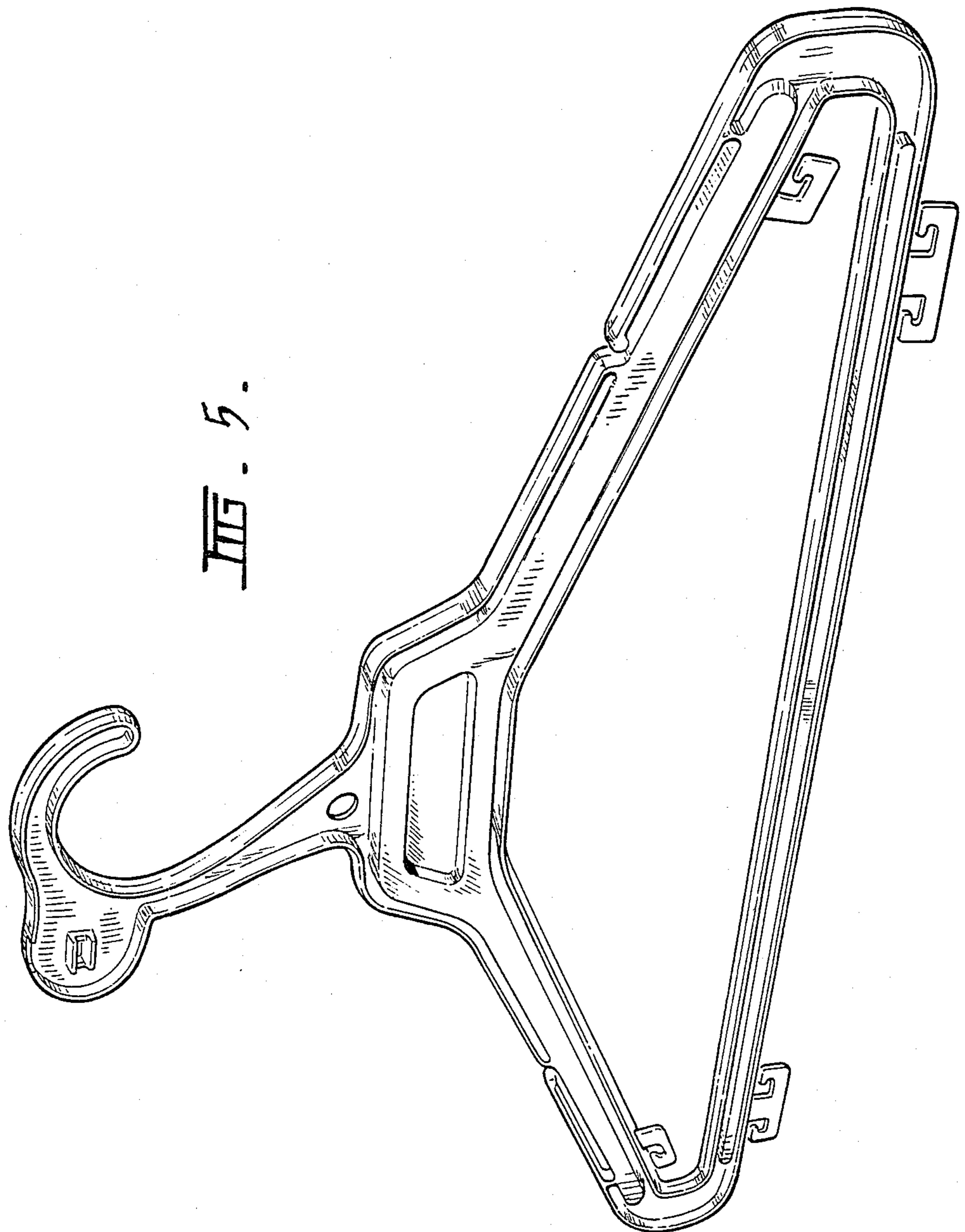


FIG. 4.



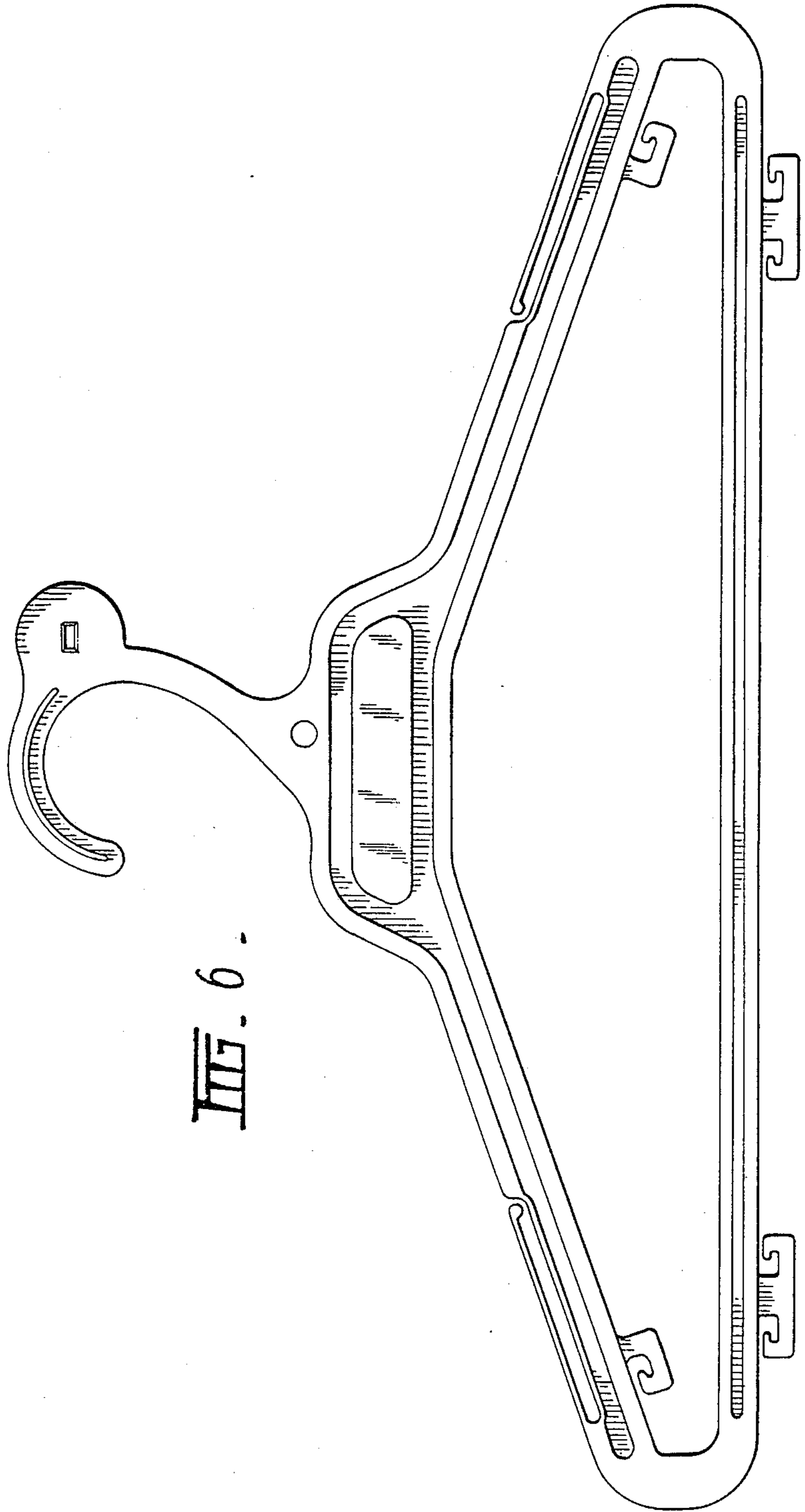


FIG. 6.

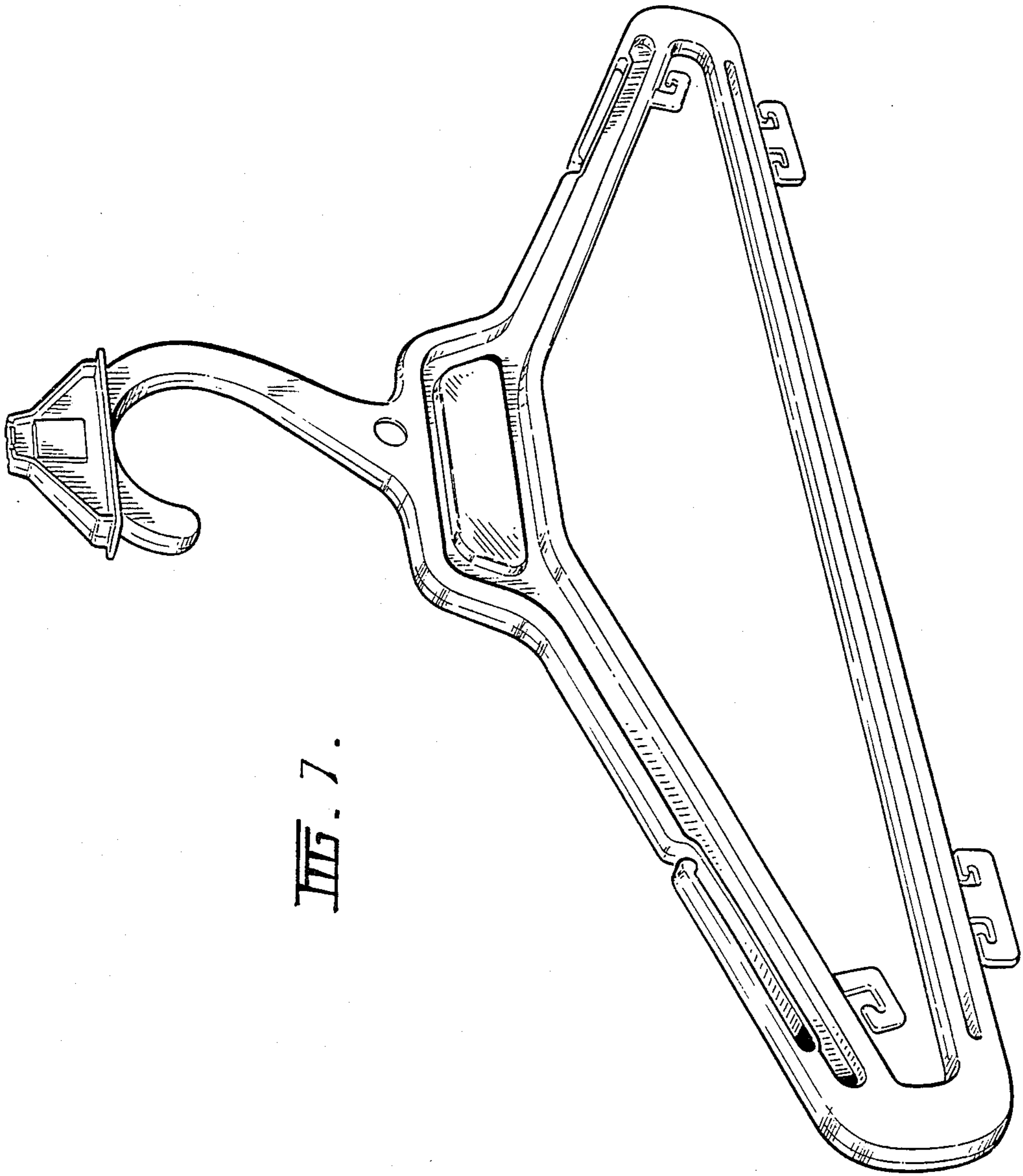


FIG. 7.

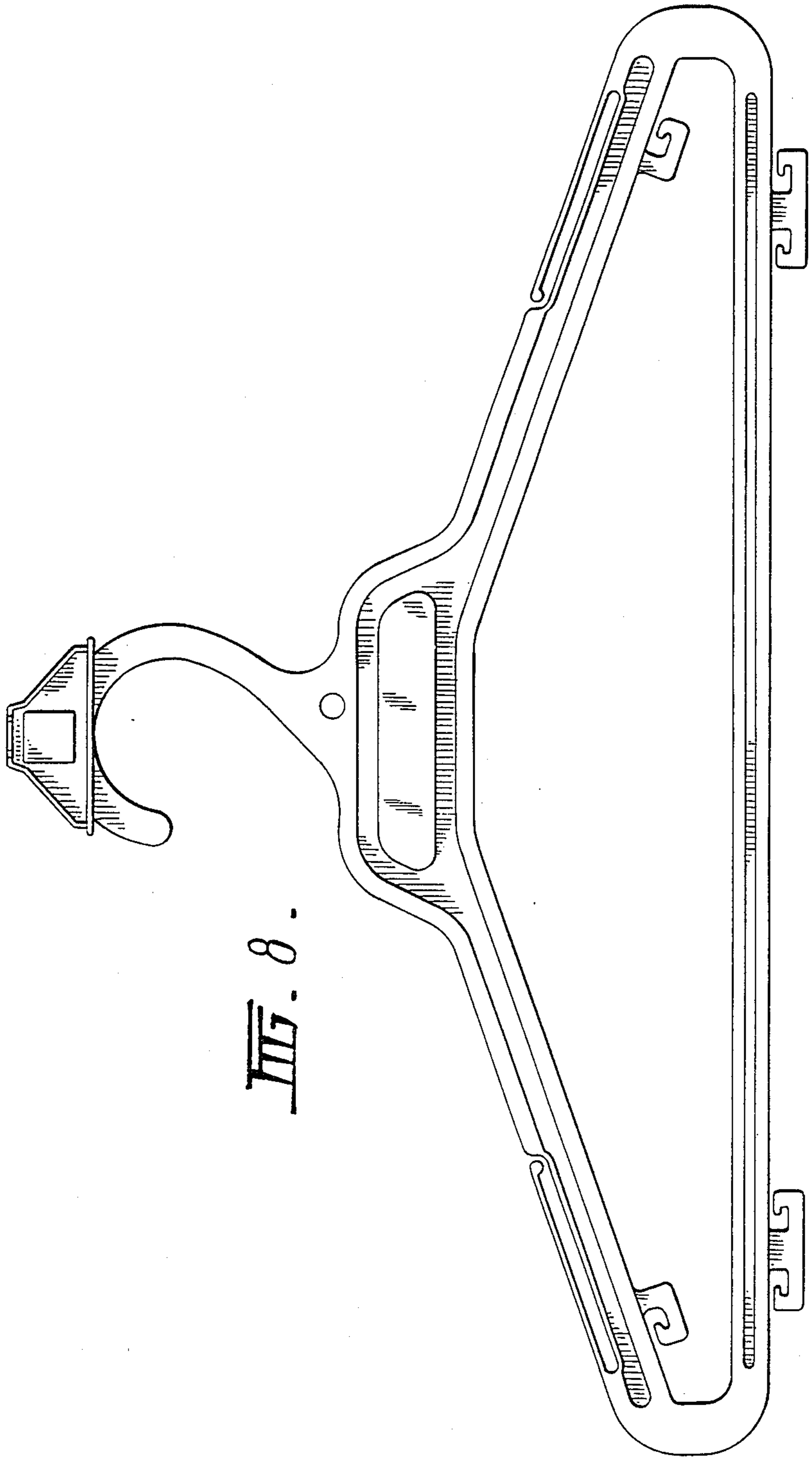


FIG. 8.