

[54] BRUSH HANDLE

[75] Inventor: Jolyon Saunders, Auckland, New Zealand

[73] Assignee: Libman Broom Company, Arcola, Ill.

[**] Term: 14 Years

[21] Appl. No.: 64,450

[22] Filed: Jun. 22, 1987

[52] U.S. Cl. D4/138

[58] Field of Search D4/130-138,
D4/199; D28/63; D32/35, 49; 15/106, 143 R,
143 B, 144 R, 145-146, 159 R, 172, 176.6,
194-195, 201-202

[56] References Cited

U.S. PATENT DOCUMENTS

- D. 227,621 7/1973 Lindbo D4/132
- D. 227,622 7/1973 Lindbo D4/132
- D. 231,283 4/1974 Lindbo D4/132

D. 288,989 3/1987 Carmardello D4/138

Primary Examiner—Wallace R. Burke
Assistant Examiner—Lavone D. Tabor
Attorney, Agent, or Firm—Marshall, O'Toole, Gerstein,
Murray & Bicknell

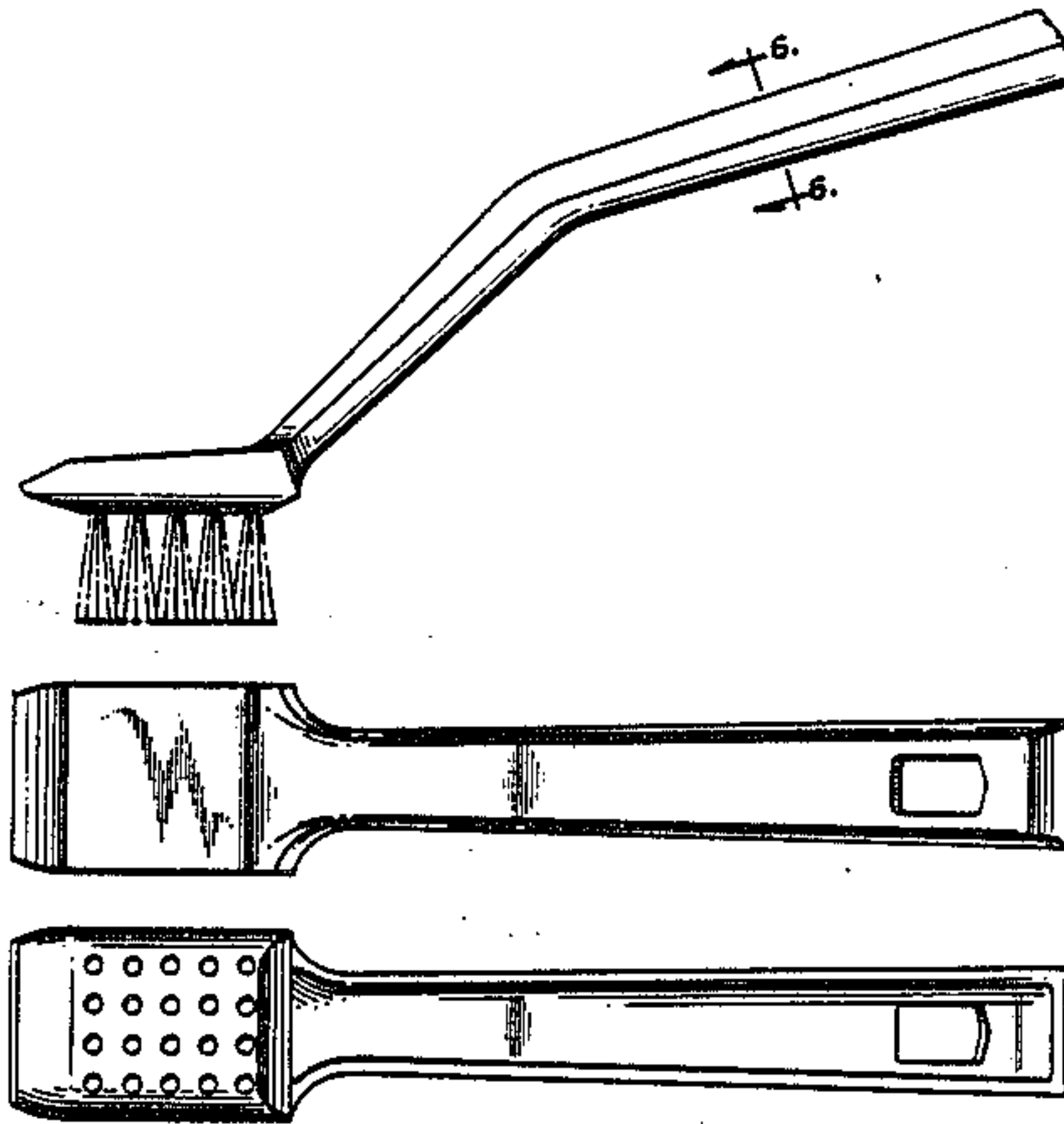
[57] CLAIM

The ornamental design for a brush handle, as shown and described.

DESCRIPTION

FIG. 1 is a side elevational view of a brush handle showing my new design;
FIG. 2 is a top plan view thereof;
FIG. 3 is a bottom plan view thereof;
FIG. 4 is a front elevational view thereof;
FIG. 5 is a rear elevational view thereof; and
FIG. 6 is a sectional view taken along the line 6—6 of FIG. 1.

The broken line showing of bristles is for illustrative purposes only and forms no part of the claimed design.



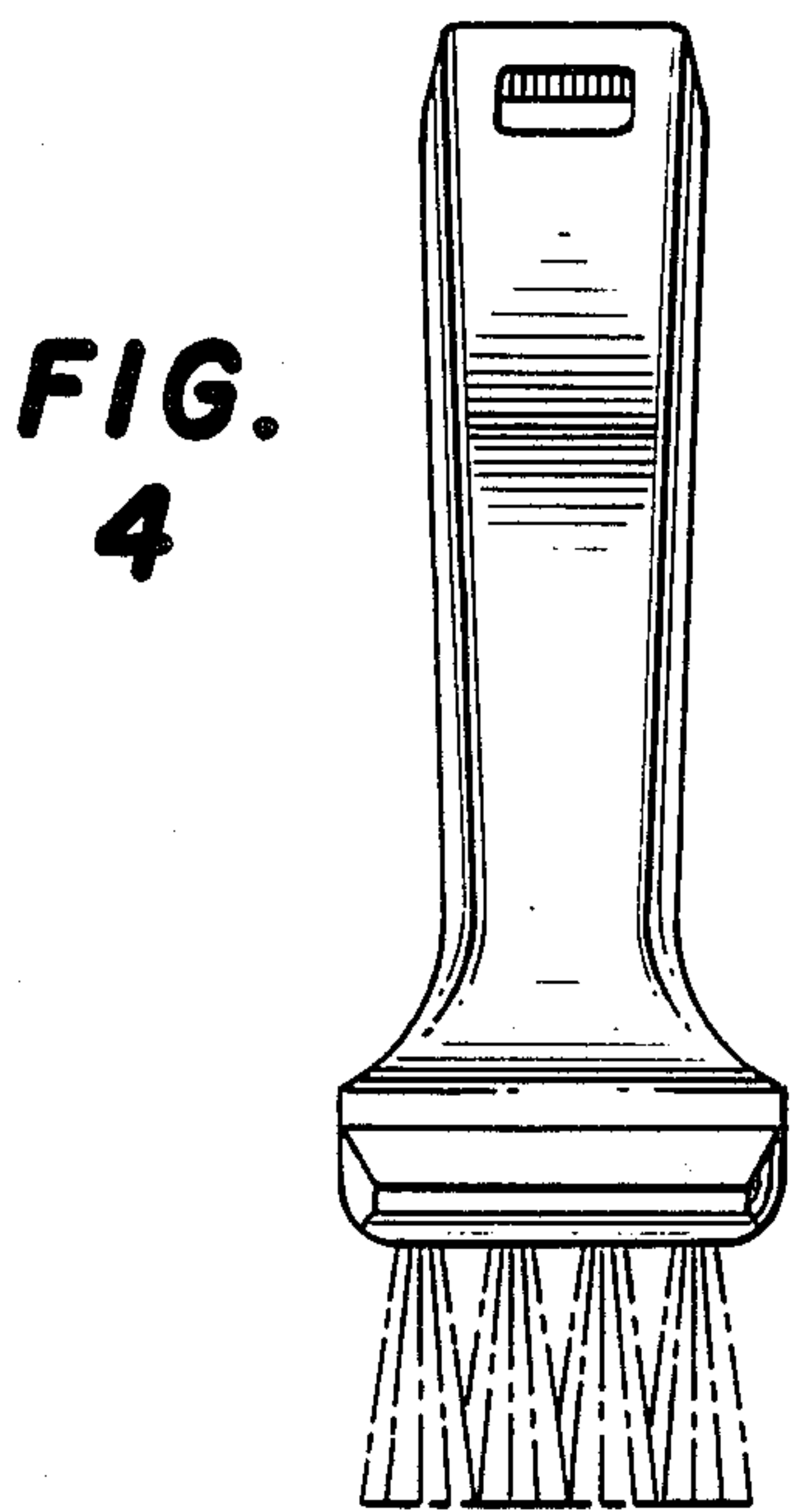
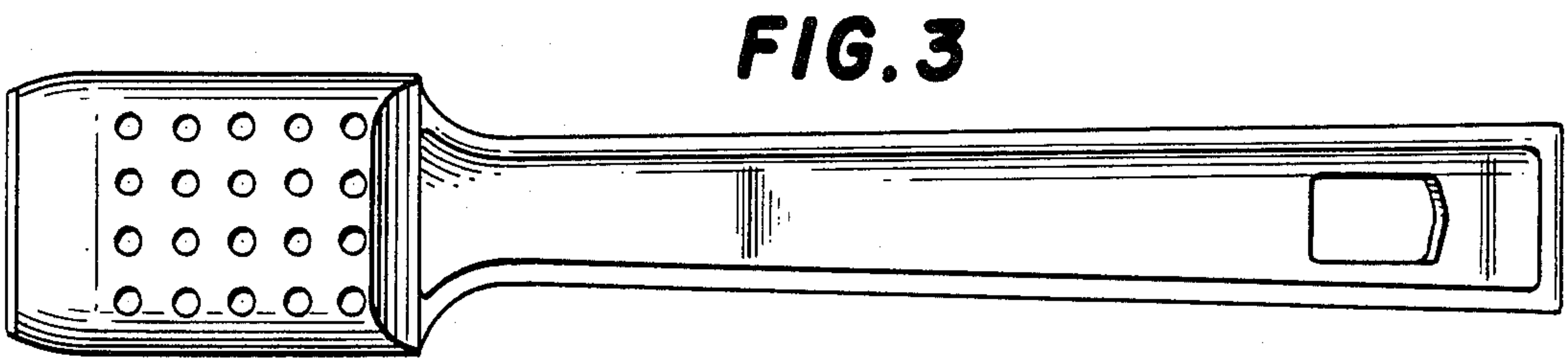
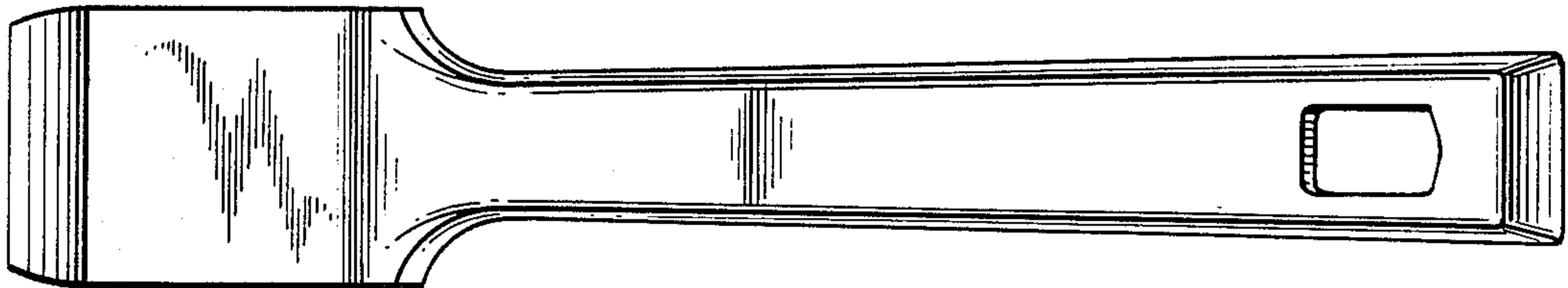
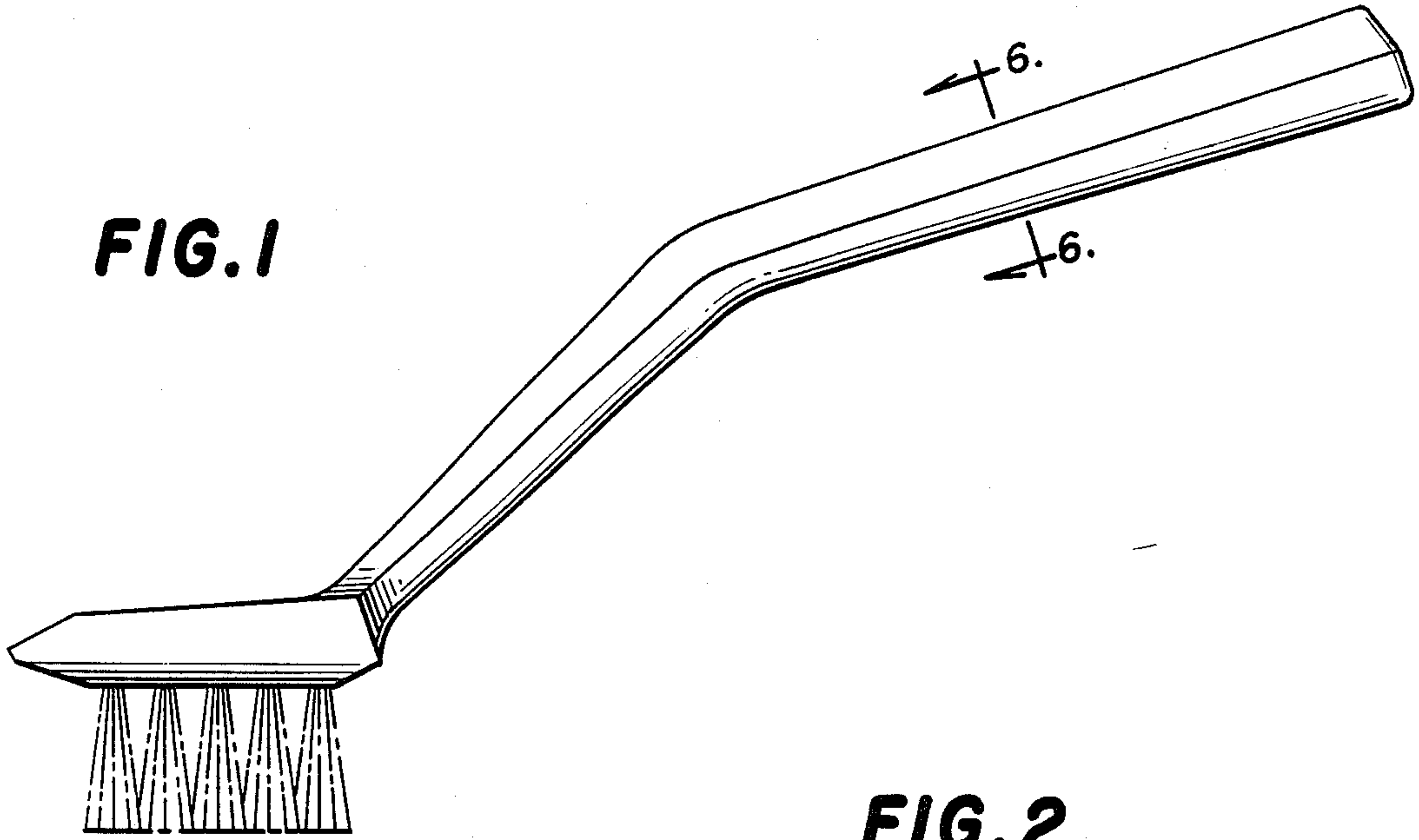


FIG. 6

