

[54] COMMUNION CUP

[76] Inventor: Leonard Vezirian, 110 Firwood, Irvine, Calif. 92714

[**] Term: 14 Years

[21] Appl. No.: 51,415

[22] Filed: May 19, 1987

[52] U.S. Cl. D99/25; D7/7; D7/11

[58] Field of Search D99/25; 215/99.5; D7/6, D7/11, 13, 7; D26/9, 20

9A; top left; "Communion Goblet", International Silver Co., Meriden, CT.

The Protestant Catalog; 4/1963; p. 178; top left; items #1446, 1447, Whittemore Associates, Inc., Boston, MA. *Communion and Altar Appointments* catalog; 9/1969; p. 16; top panel, "Chalice and Ciborium"; Intl. Silver Co., Meriden, CT.

Primary Examiner—Winifred E. Herrmann

Assistant Examiner—John Warchol

[57] CLAIM

The ornamental design for a communion cup, as shown and described.

DESCRIPTION

FIG. 1 is a top, front perspective view of a communion cup showing my new design;

FIG. 2 is a front elevational view thereof;

FIG. 3 is a right side elevational view thereof, the left side being a mirror image;

FIG. 4 is a rear elevational view thereof;

FIG. 5 is a top plan view thereof; and

FIG. 6 is a bottom plan view thereof.

[56] References Cited

U.S. PATENT DOCUMENTS

- D. 80,187 12/1929 Rithner D7/6 X
- D. 134,191 10/1942 Moore D11/96
- D. 194,369 1/1963 Kampf et al. D99/27

OTHER PUBLICATIONS

Communion and Alter Appointments catalog; 9/1969; p.

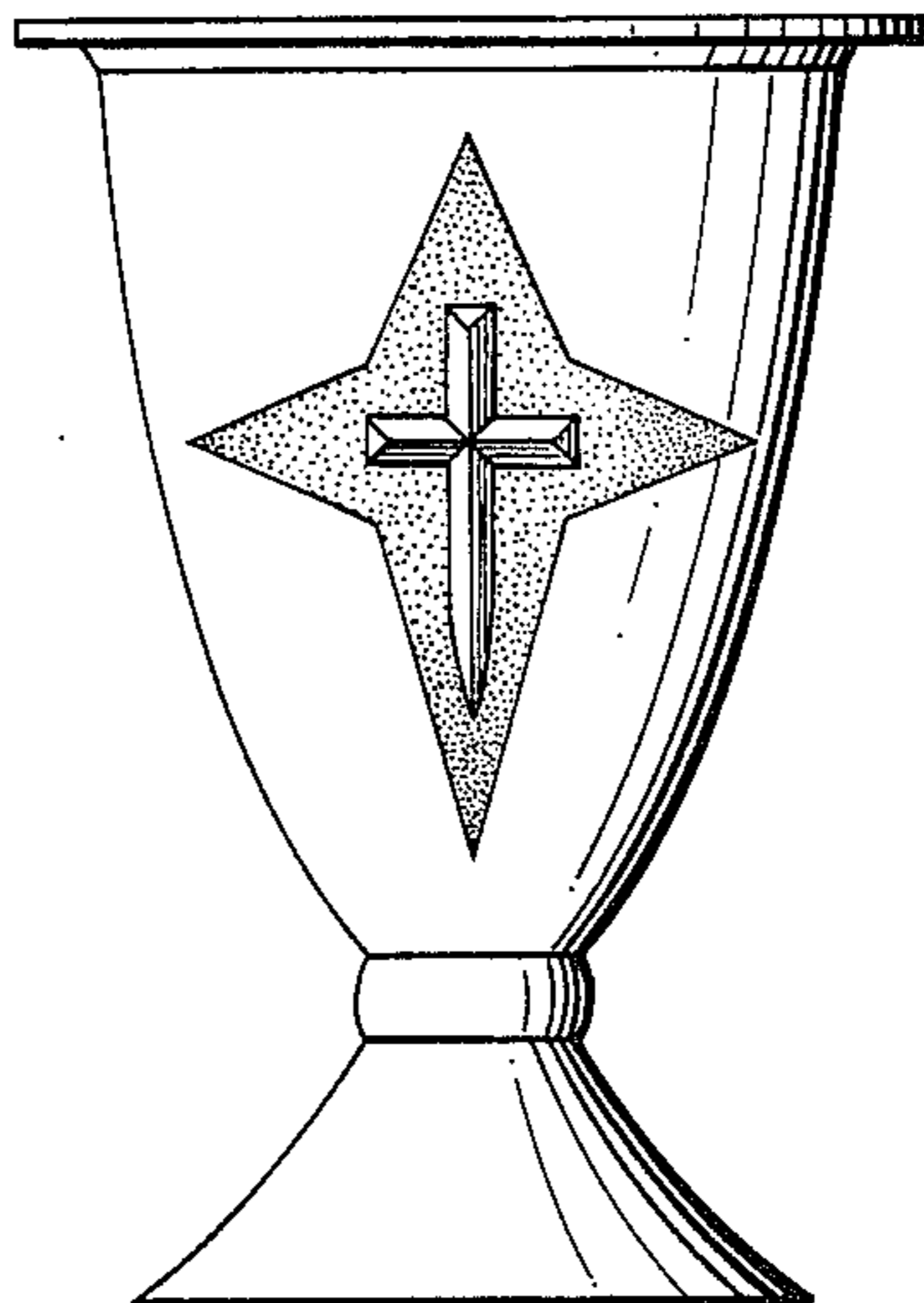


FIG. 1

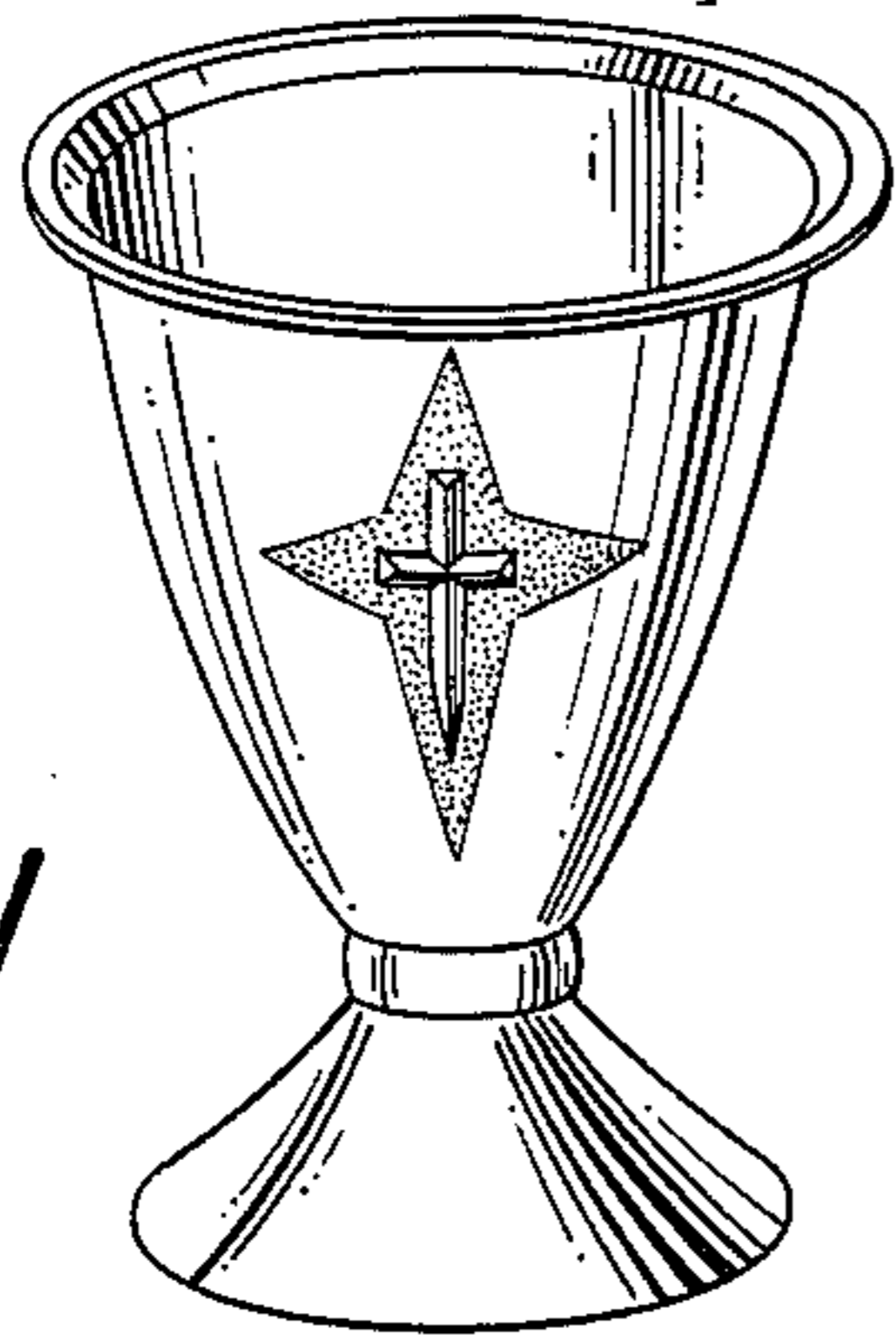


FIG. 2

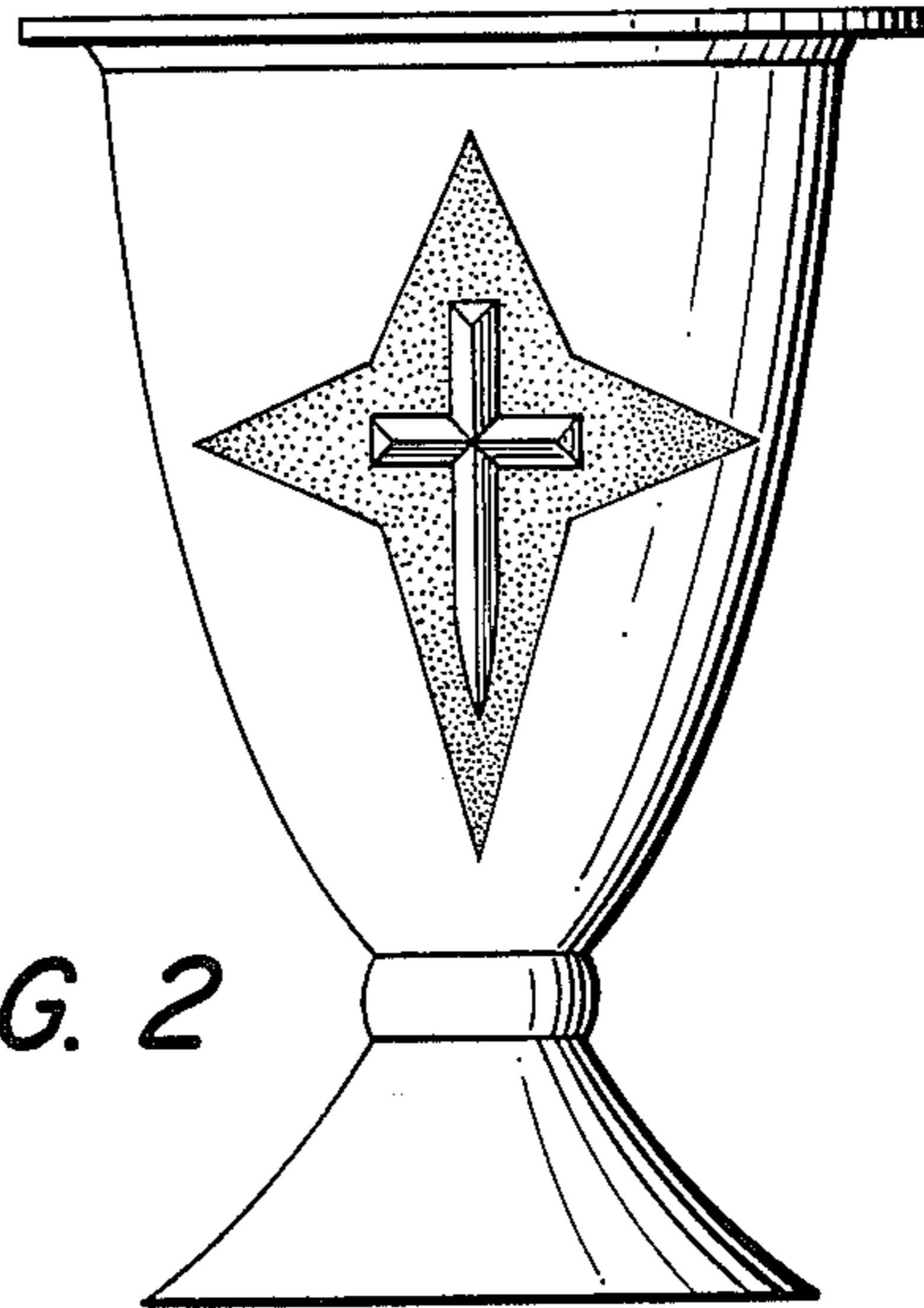


FIG. 3

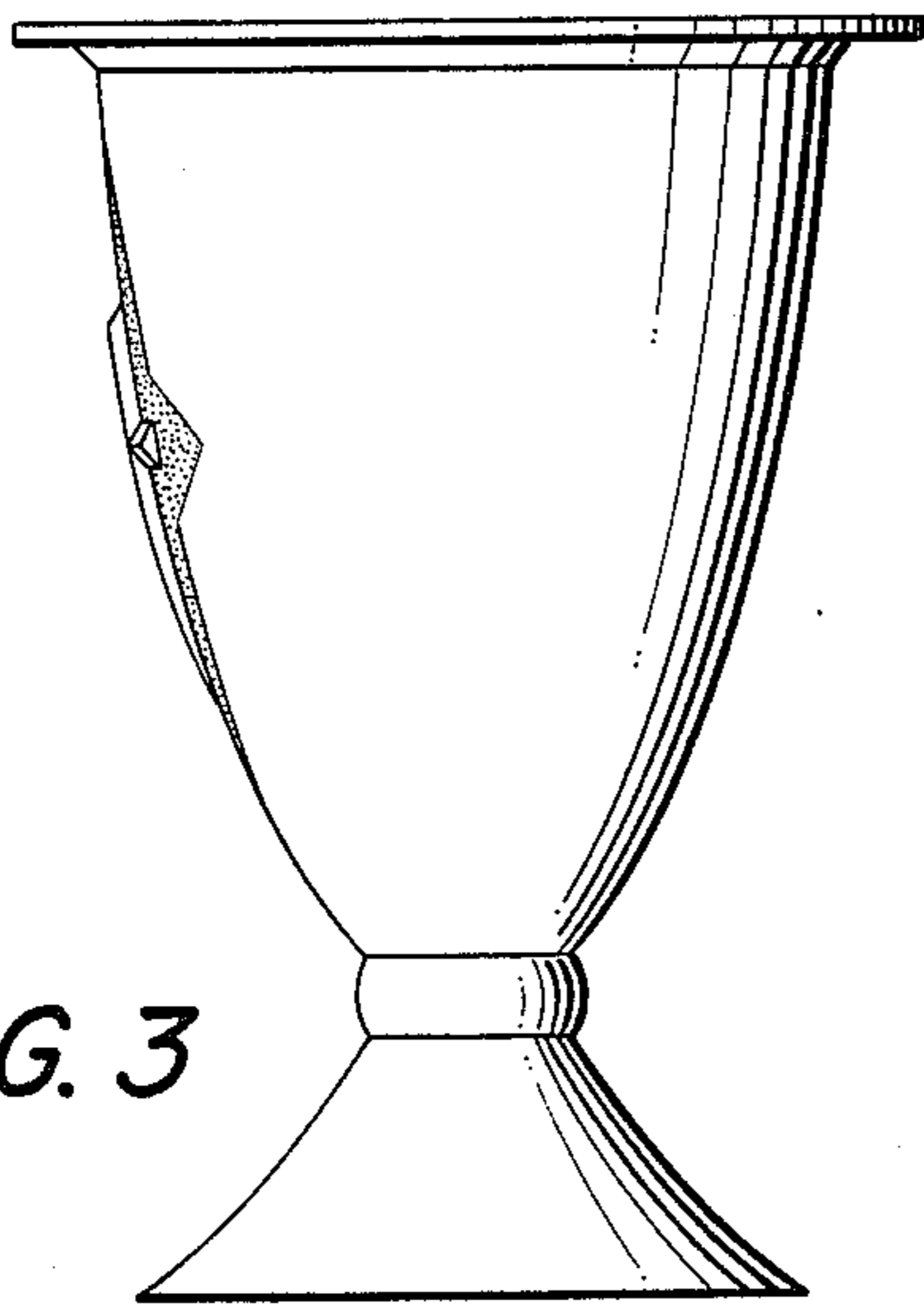


FIG. 5

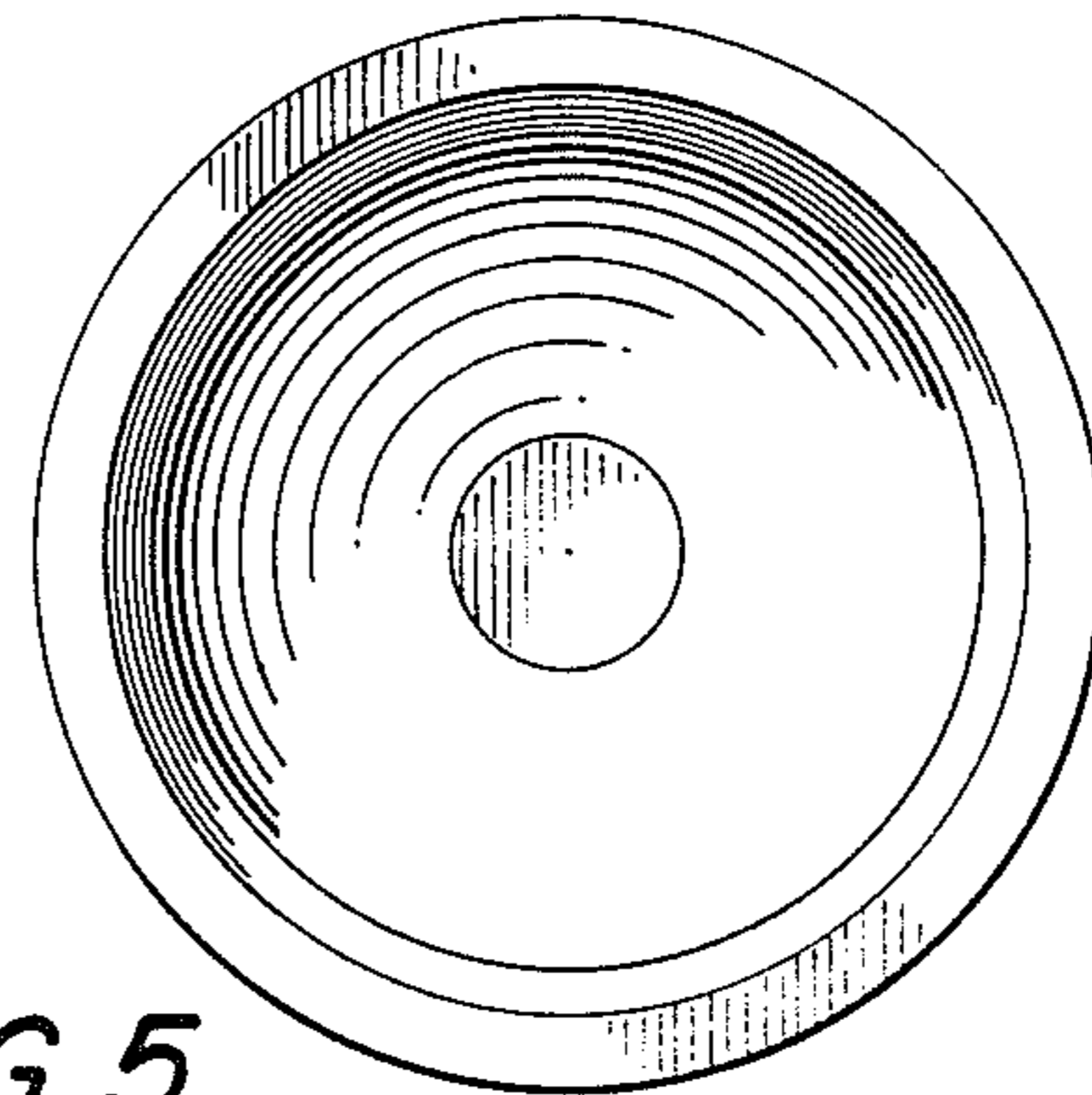


FIG. 4

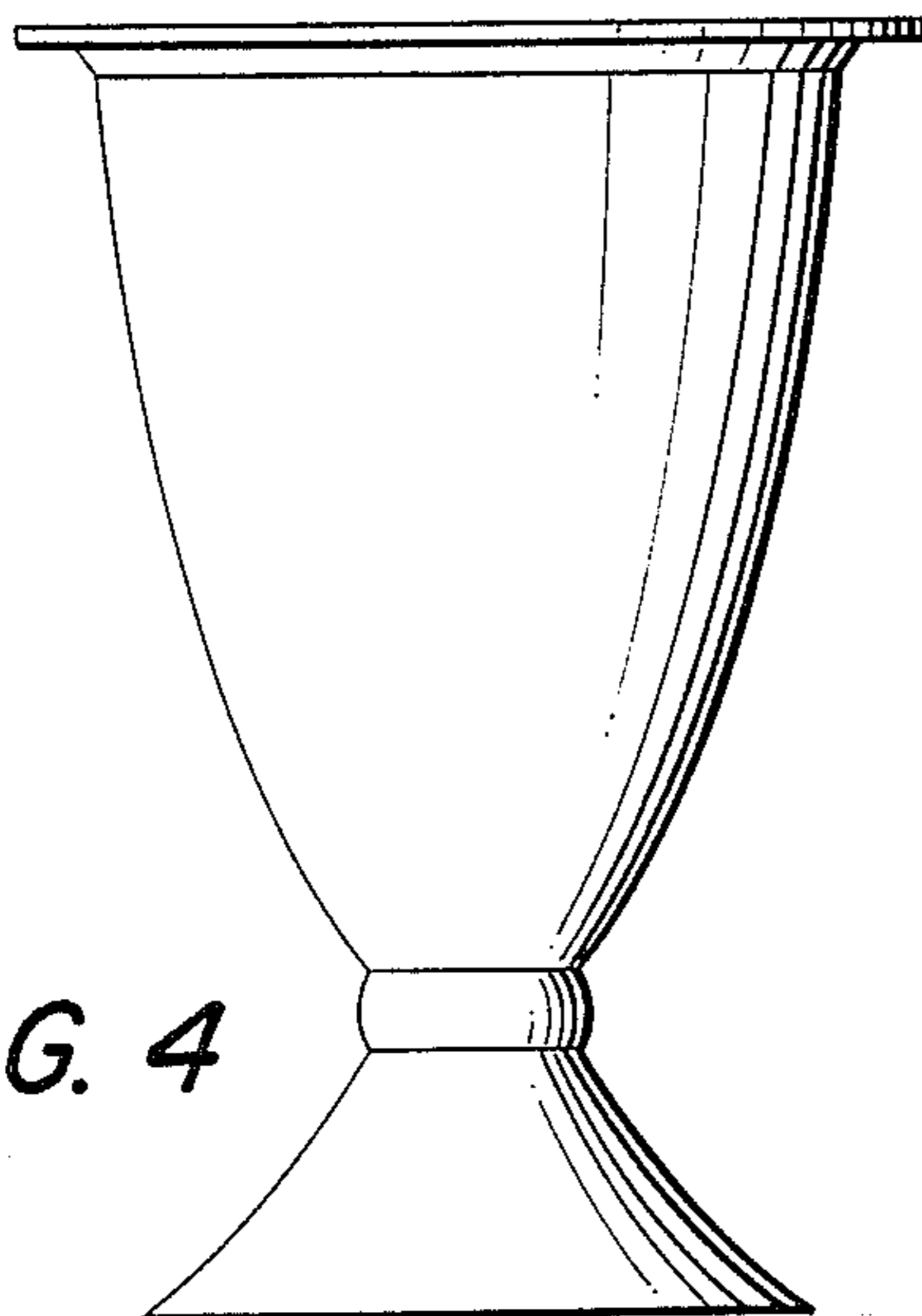


FIG. 6

