

[54] UTILITY TRAY

[76] Inventor: John M. Ross, 181 St. Patrick St., Lindsay, Ontario, Canada, K9V 1R8

[**] Term: 14 Years

[21] Appl. No.: 844,732

[22] Filed: Mar. 13, 1986

[30] Foreign Application Priority Data

Sep. 25, 1985 [CA] Canada 25-09-85-4

[52] U.S. Cl. D34/40

[58] Field of Search D9/456, 341, 347; D34/40, 46, 43, 44, 45; D7/37, 38; D32/53.1, 55; 206/44 R, 1.7, 518, 557-565, 63.5; 229/908; D3/30.1

[56] References Cited

U.S. PATENT DOCUMENTS

D. 192,036 1/1962 Raymond D7/37

D. 282,966	3/1986	Brown	D34/40
D. 288,374	2/1987	Ikeda	D7/37
D. 288,784	3/1987	Nathan et al.	D9/456
2,905,371	9/1959	Huff	229/908
2,972,765	2/1961	Macy et al.	229/908
3,858,787	1/1975	Bamburg et al.	229/908

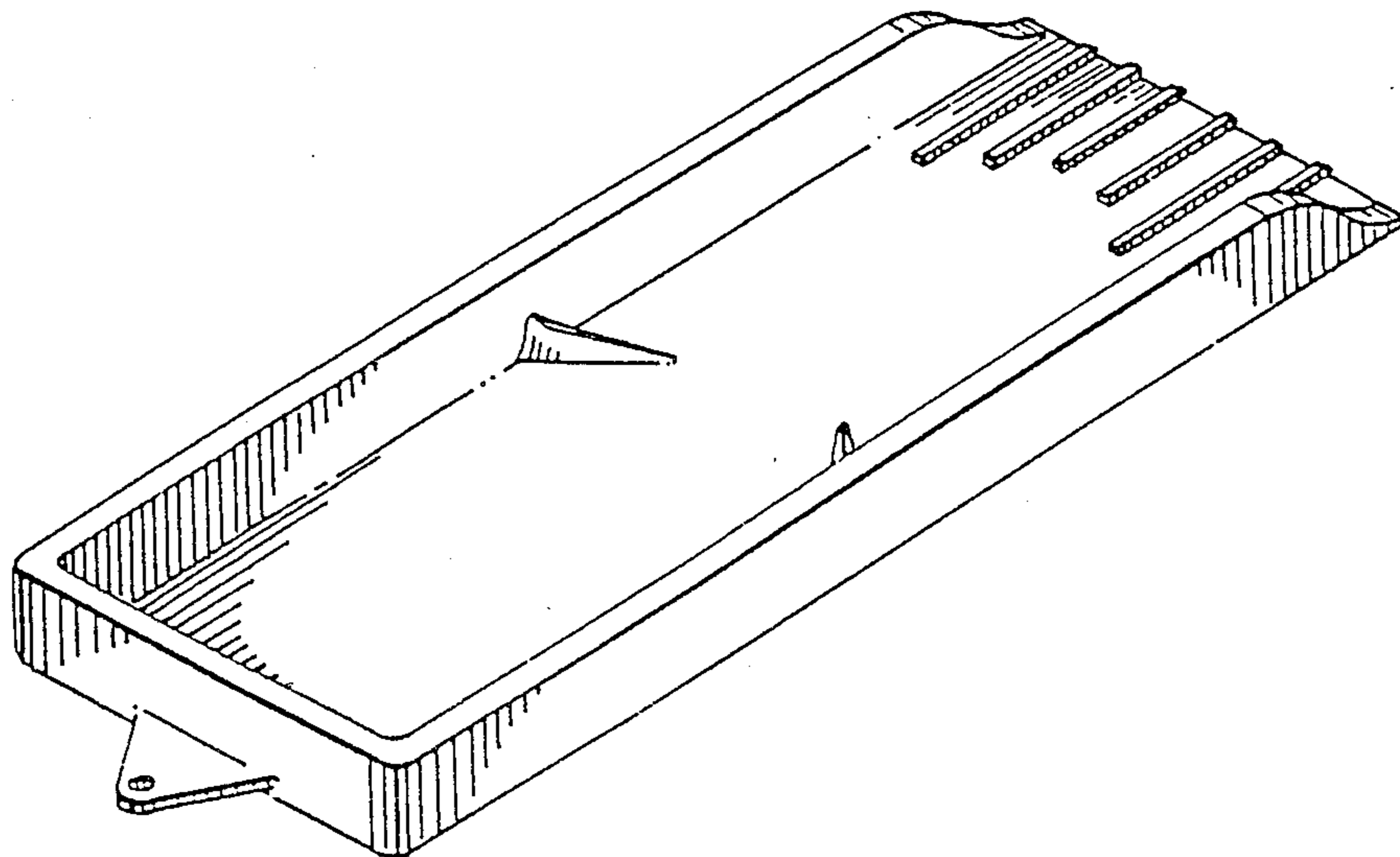
Primary Examiner—Bernard Ansher
Assistant Examiner—Prabhakar Deshmukh
Attorney, Agent, or Firm—Trevor C. Klotz

[57] CLAIM

The ornamental design for utility tray, as shown and described.

DESCRIPTION

FIG. 1 is a front perspective view of a utility tray showing my new design;
FIG. 2 is a rear side perspective view thereof;
FIG. 3 is a front perspective view of a second embodiment thereof; and
FIG. 4 is a rear perspective view thereof.
The bottom plan is flat, planar and unornamented.



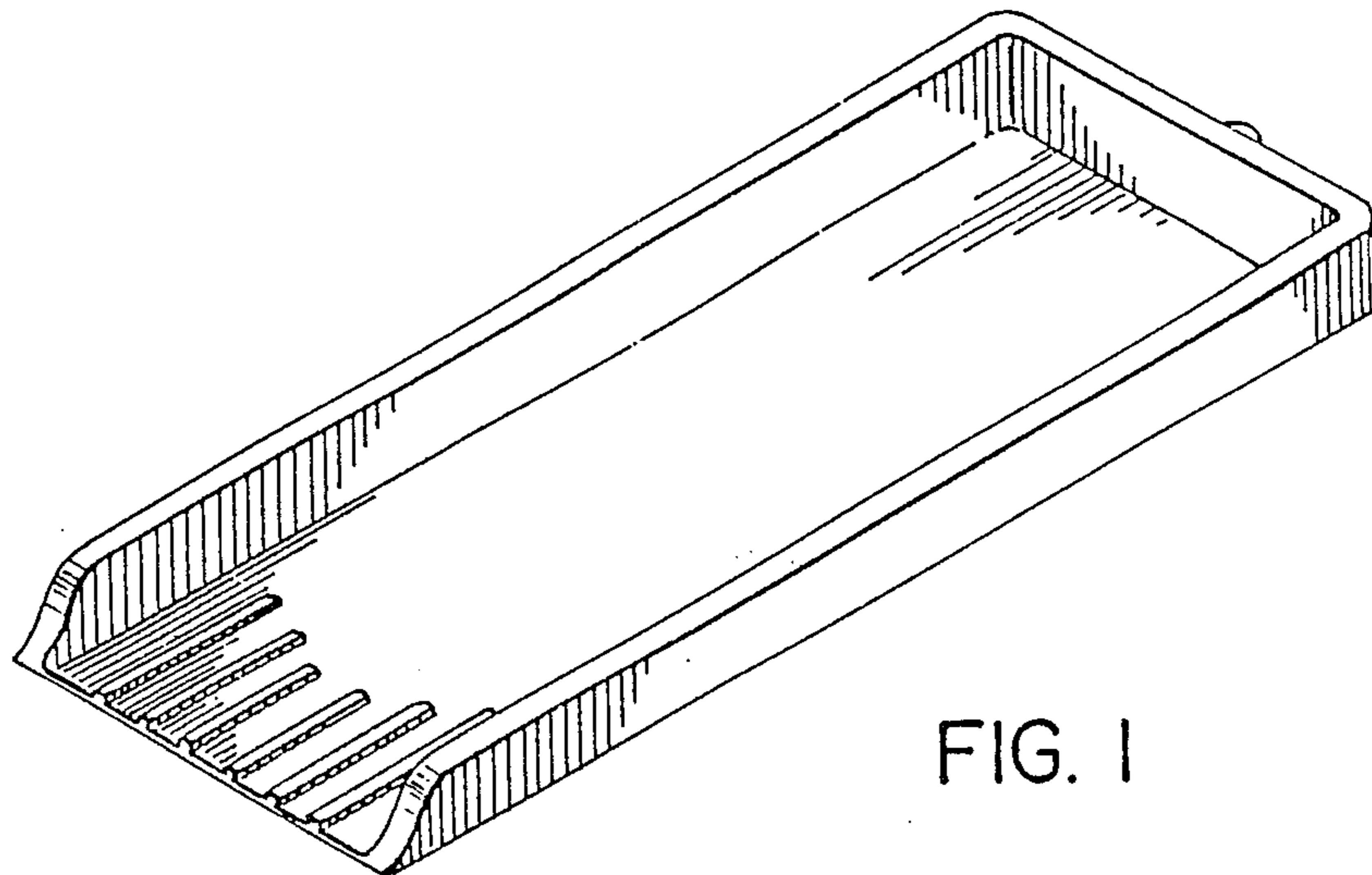


FIG. 1

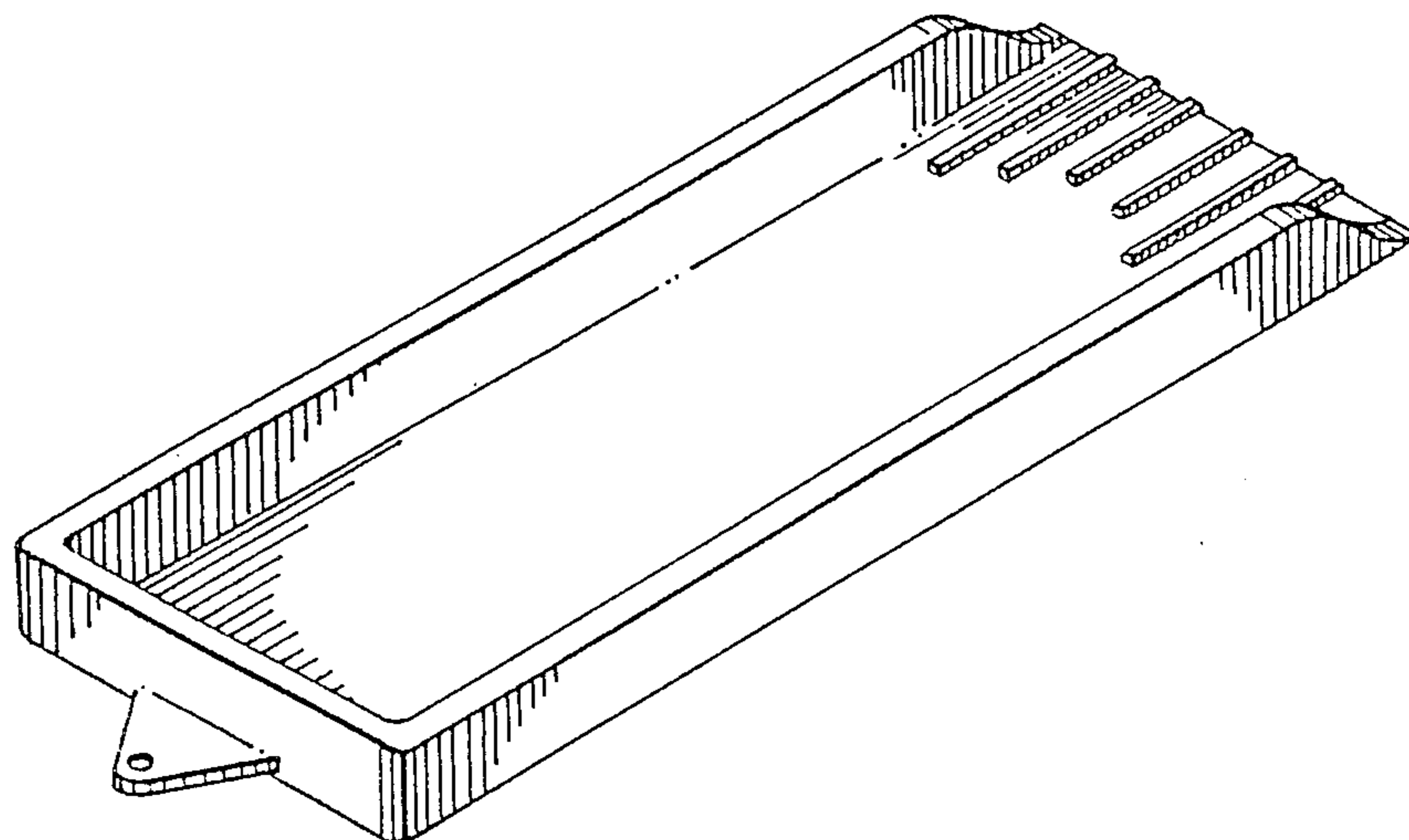


FIG. 2

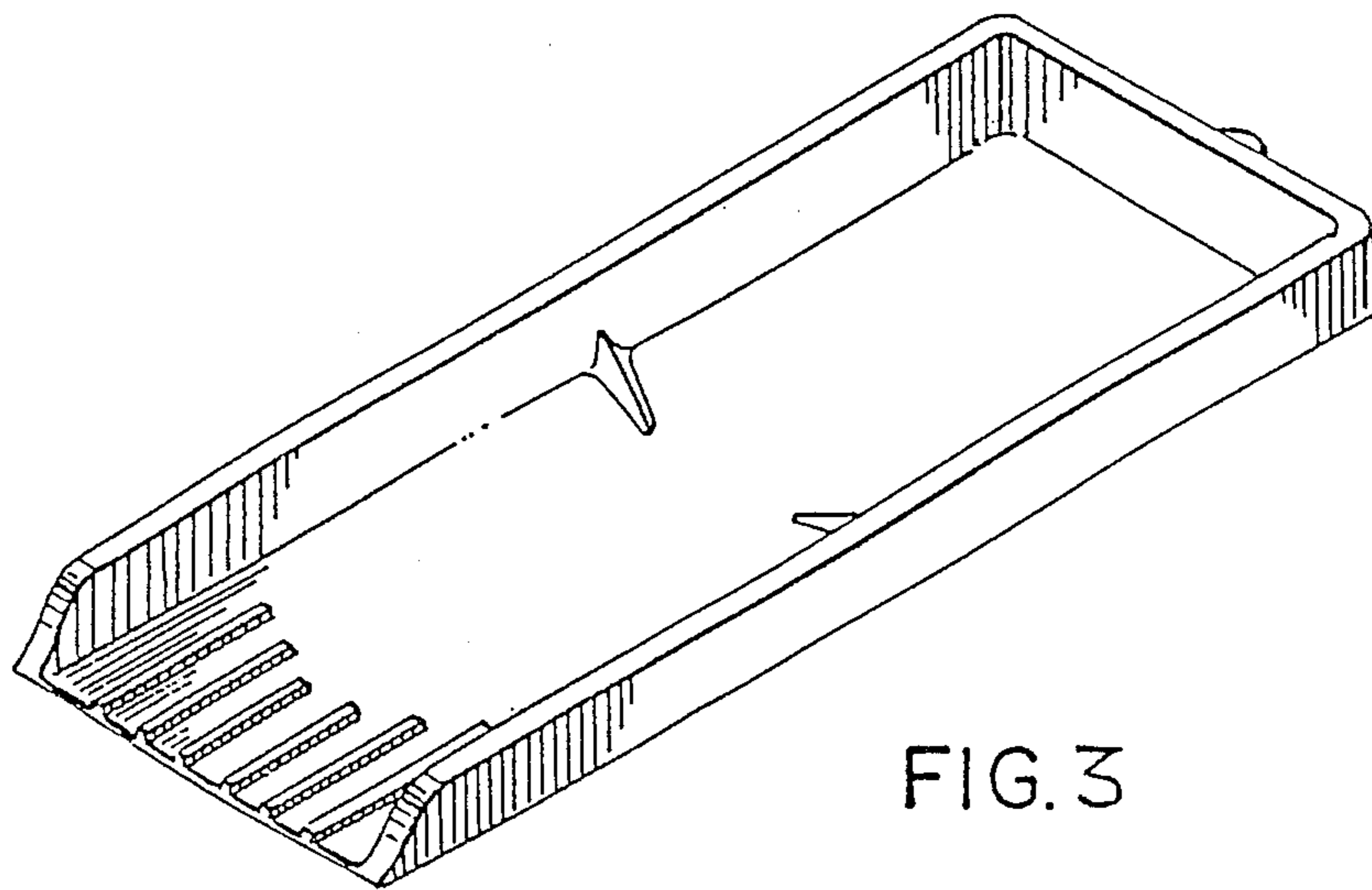


FIG. 3

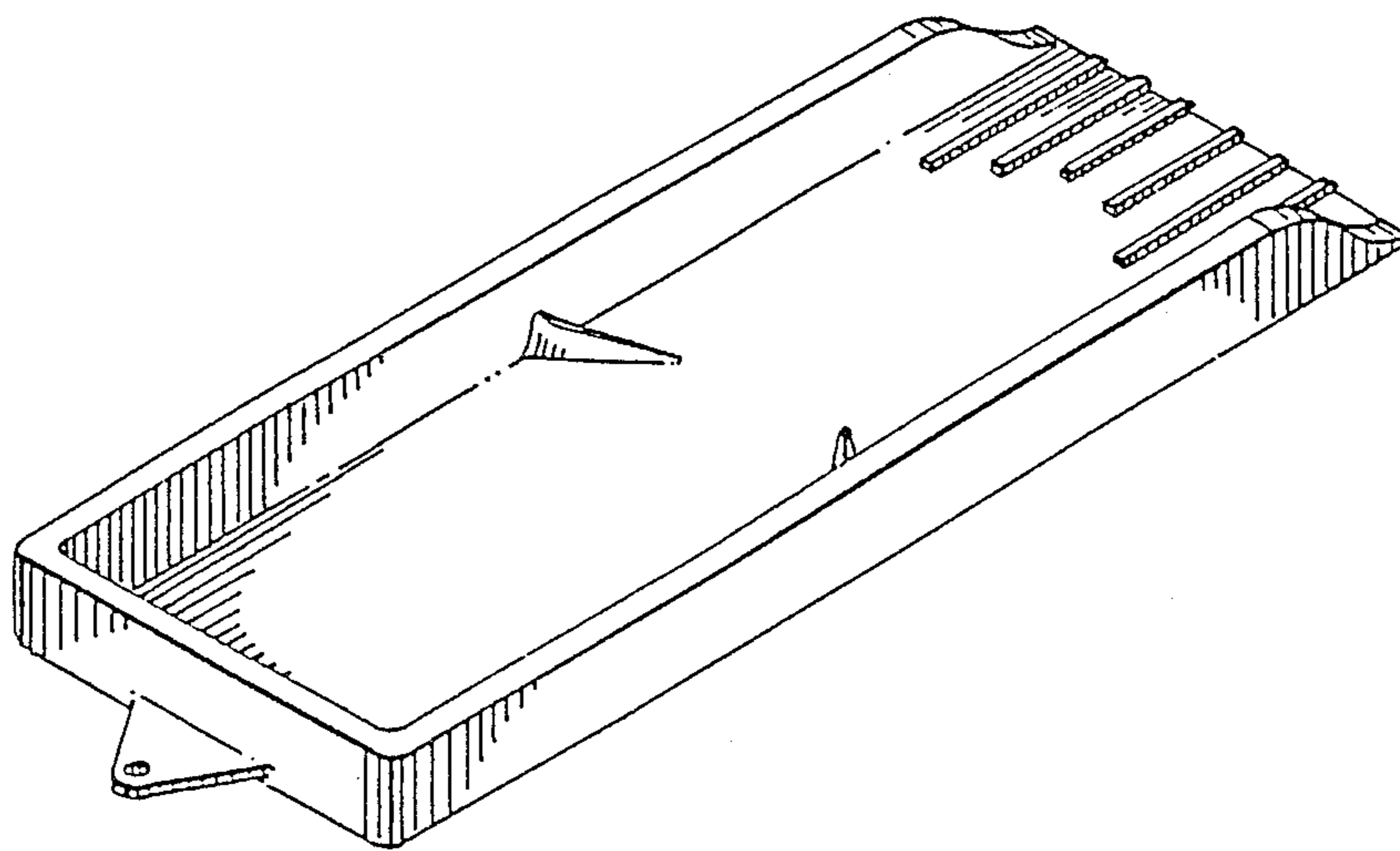


FIG. 4