

[54] **SERVICE CART**

[75] **Inventor: Martin L. Meitl, St. Charles, Ill.**

[73] **Assignee: Suncast Corporation, Batavia, Ill.**

[**] **Term: 14 Years**

[21] **Appl. No.: 7,258**

[22] **Filed: Jan. 27, 1987**

[52] **U.S. Cl. D34/21; D6/487;
D34/17**

[58] **Field of Search D34/12, 17, 20, 21,
D34/22, 23; D6/429, 477, 478, 487; 280/47.35,
79.1 R, 79.2; 108/59, 28**

[56] **References Cited**

U.S. PATENT DOCUMENTS

D. 146,241 1/1947 Wisner D34/17
D. 163,094 5/1951 Connor D34/17
D. 296,170 6/1988 Berry, Jr. D6/487

FOREIGN PATENT DOCUMENTS

189351 11/1955 Fed. Rep. of Germany ... 280/47.35

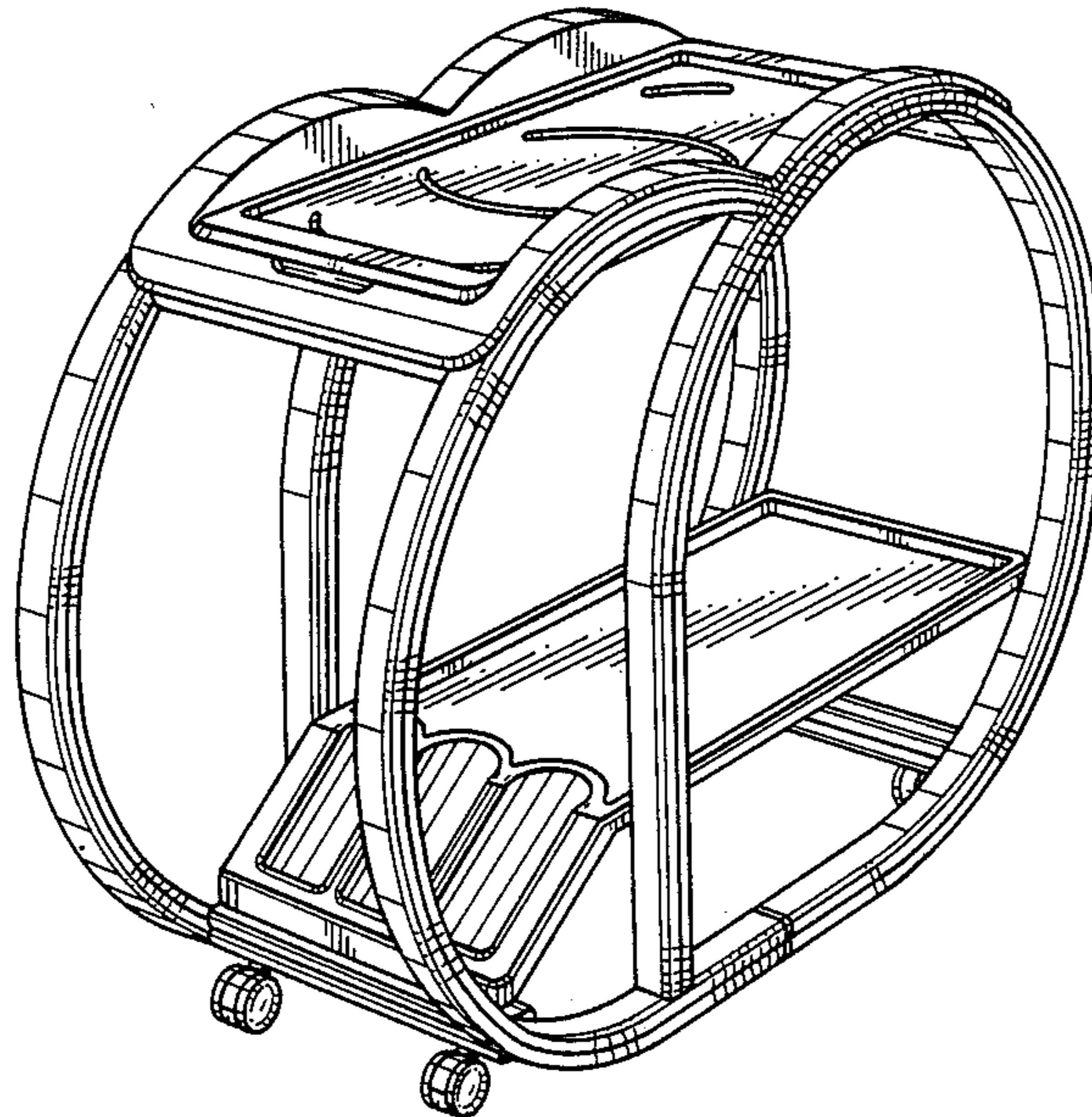
Primary Examiner—Wallace R. Burke
Assistant Examiner—Kay H. Chin
Attorney, Agent, or Firm—Fitch, Even, Tabin &
Flannery

[57] **CLAIM**

The ornamental design for a service cart, as shown and described.

DESCRIPTION

FIG. 1 is a perspective view of a service cart embodying my new design;
FIG. 2 is an elevational view of one side thereof, the elevational view of the other side thereof being a mirror image of FIG. 2;
FIG. 3 is a top plan view thereof;
FIG. 4 is a front elevational view thereof;
FIG. 5 is a rear elevational view thereof; and
FIG. 6 is a bottom plan view thereof.



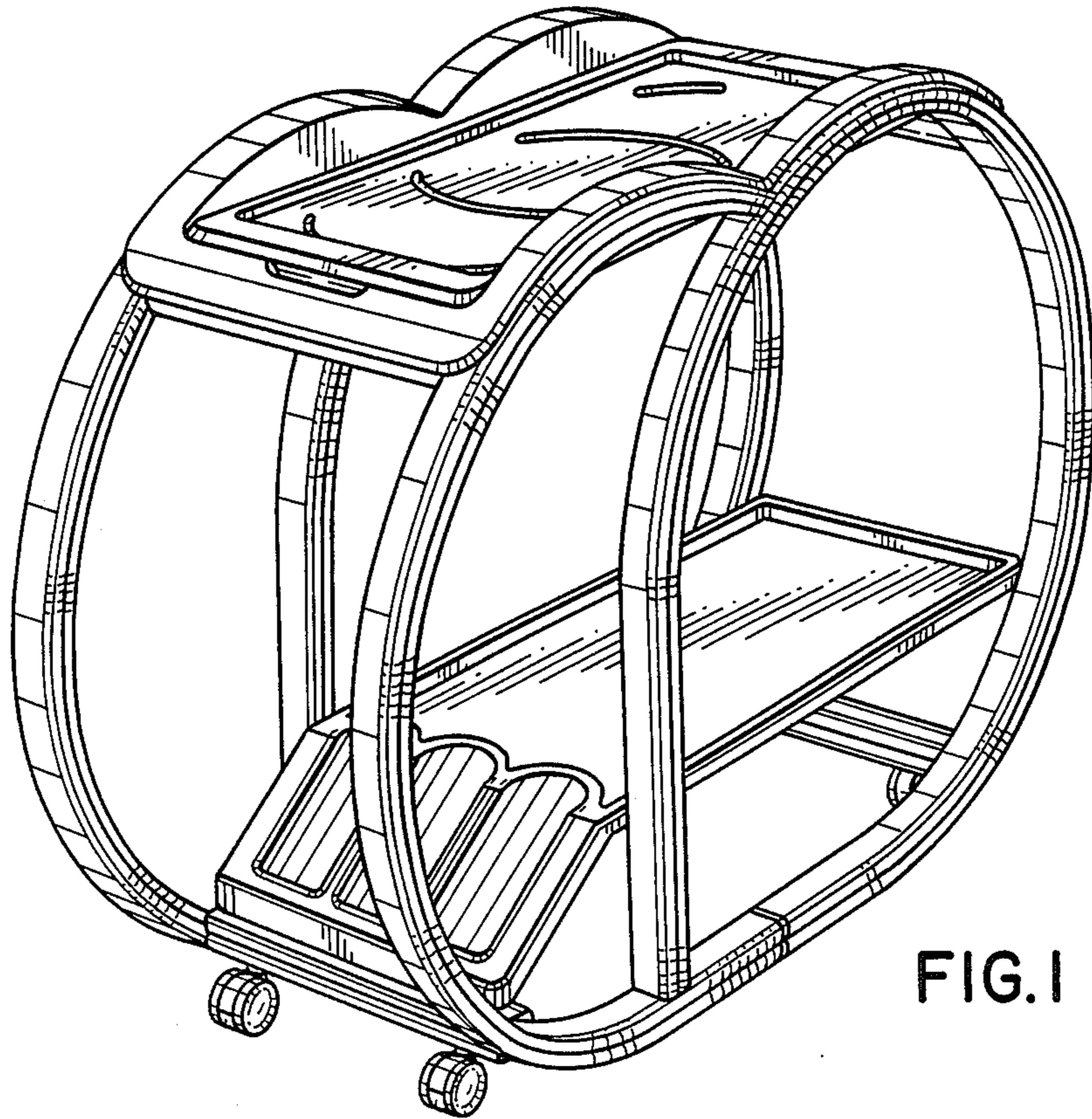


FIG. 1

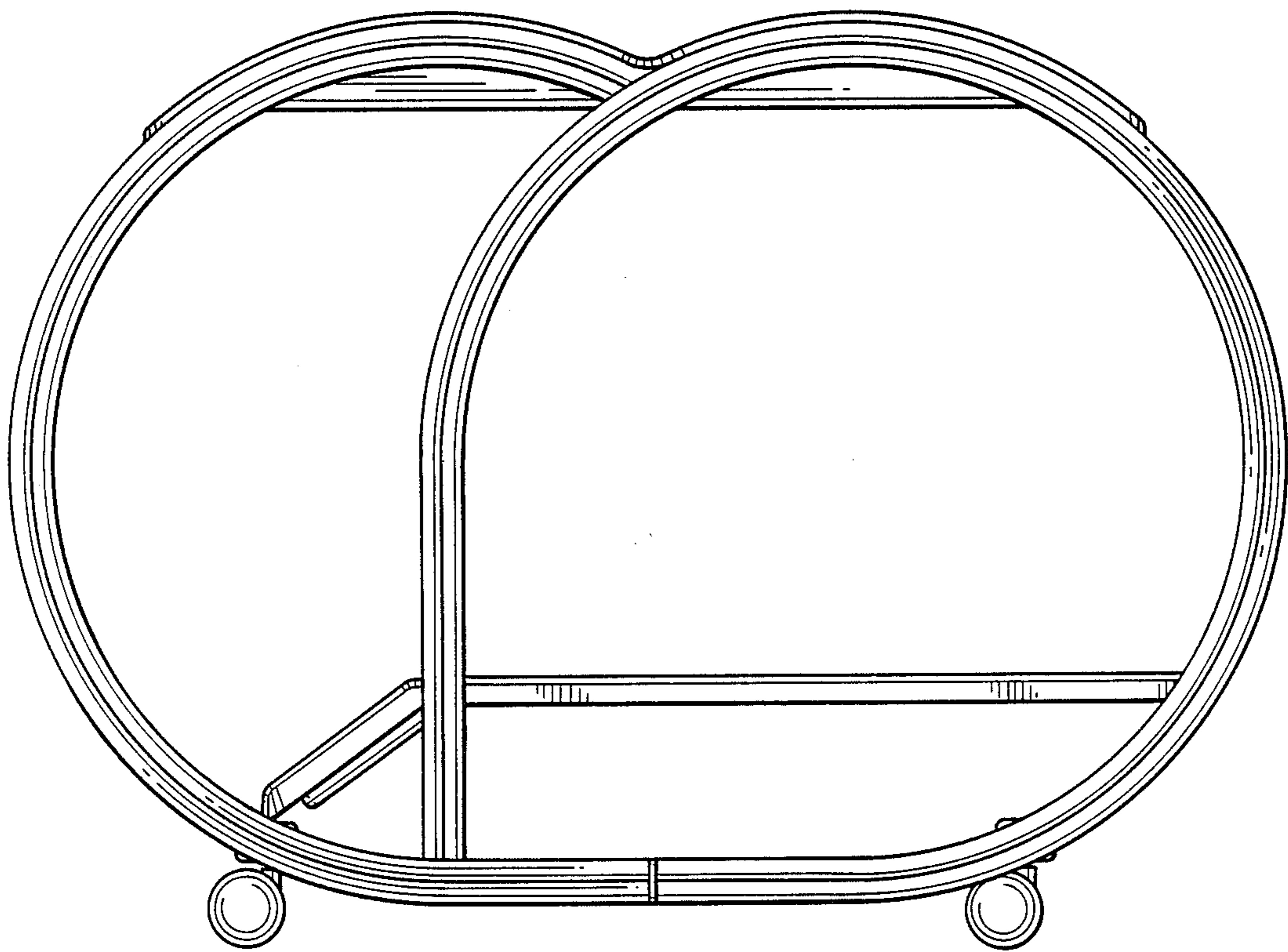


FIG. 2

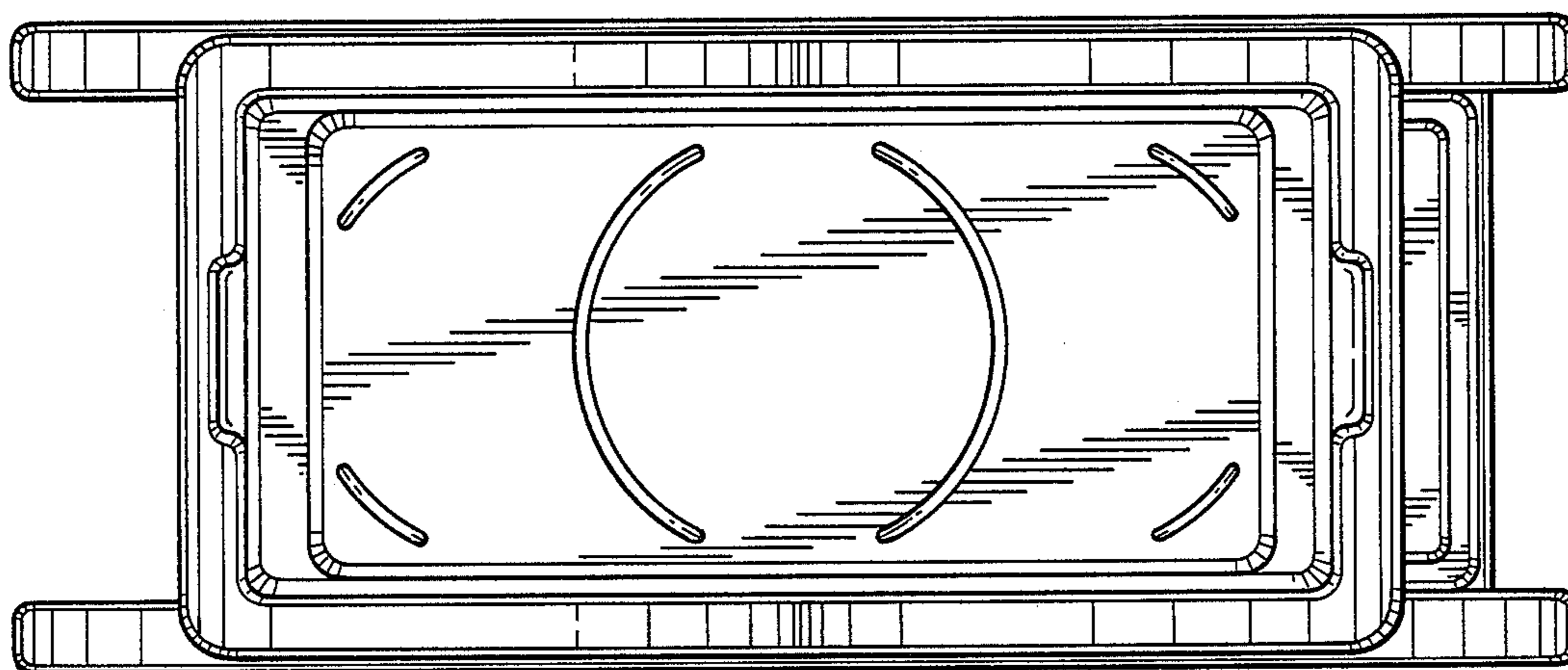


FIG. 3

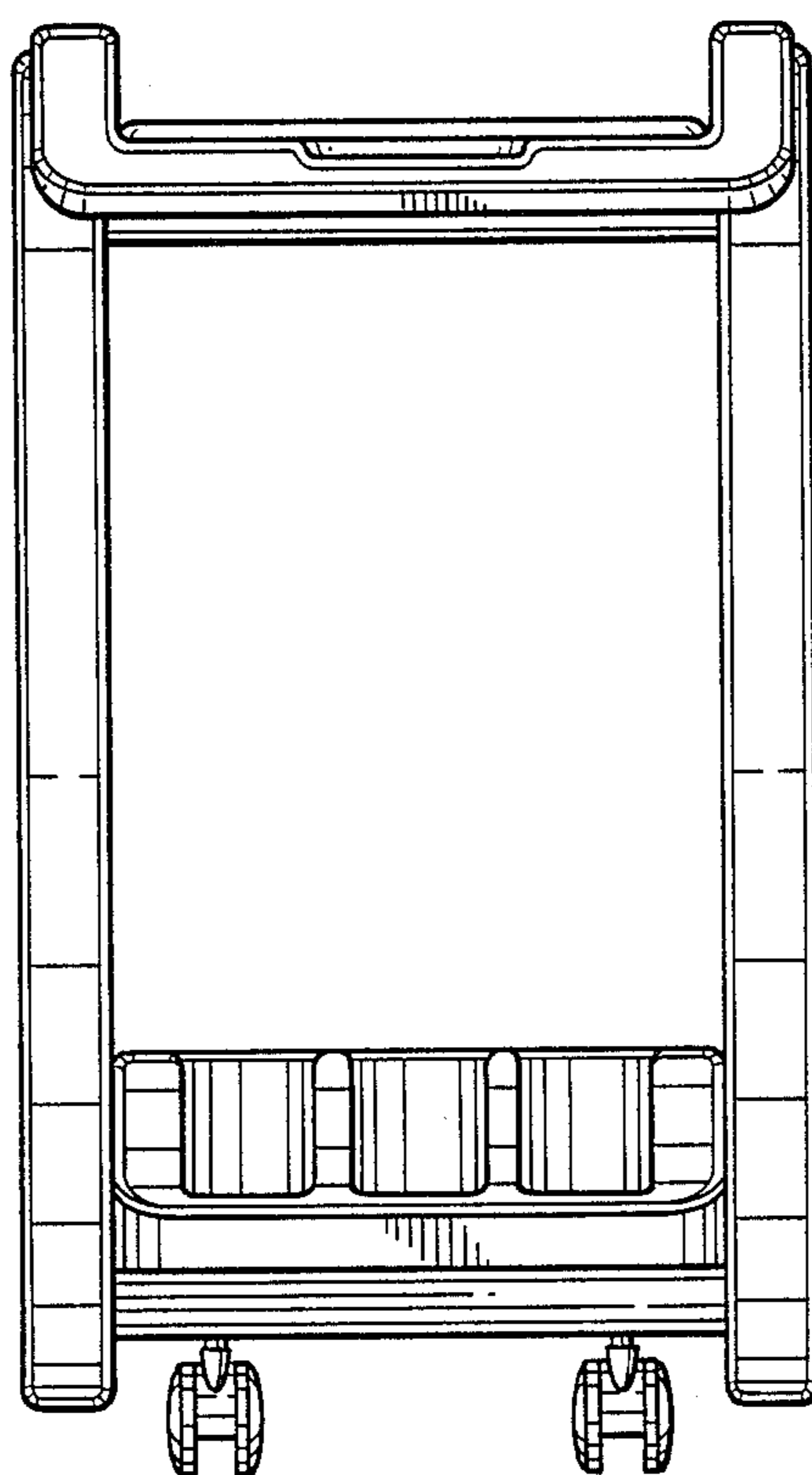


FIG. 4

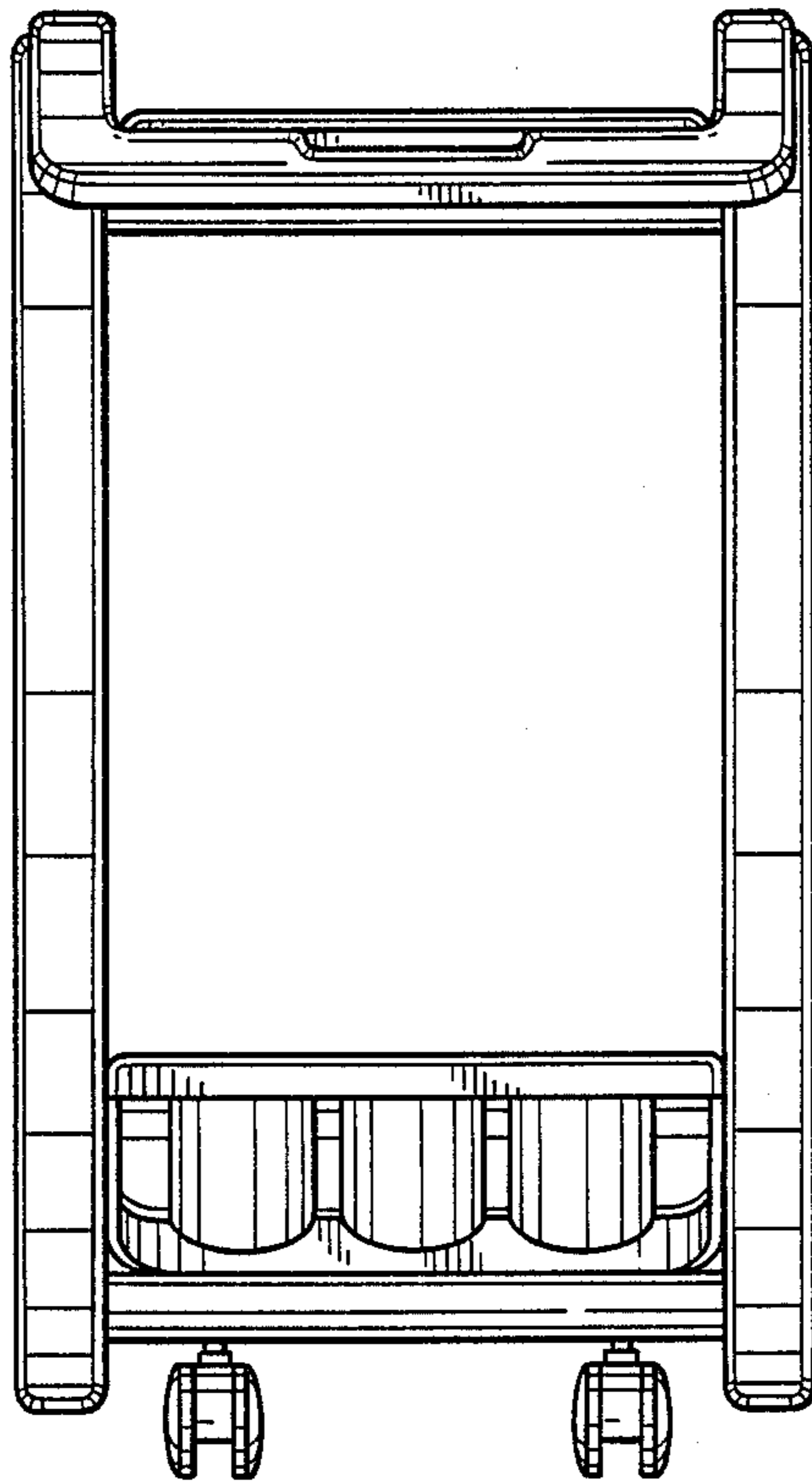


FIG. 5

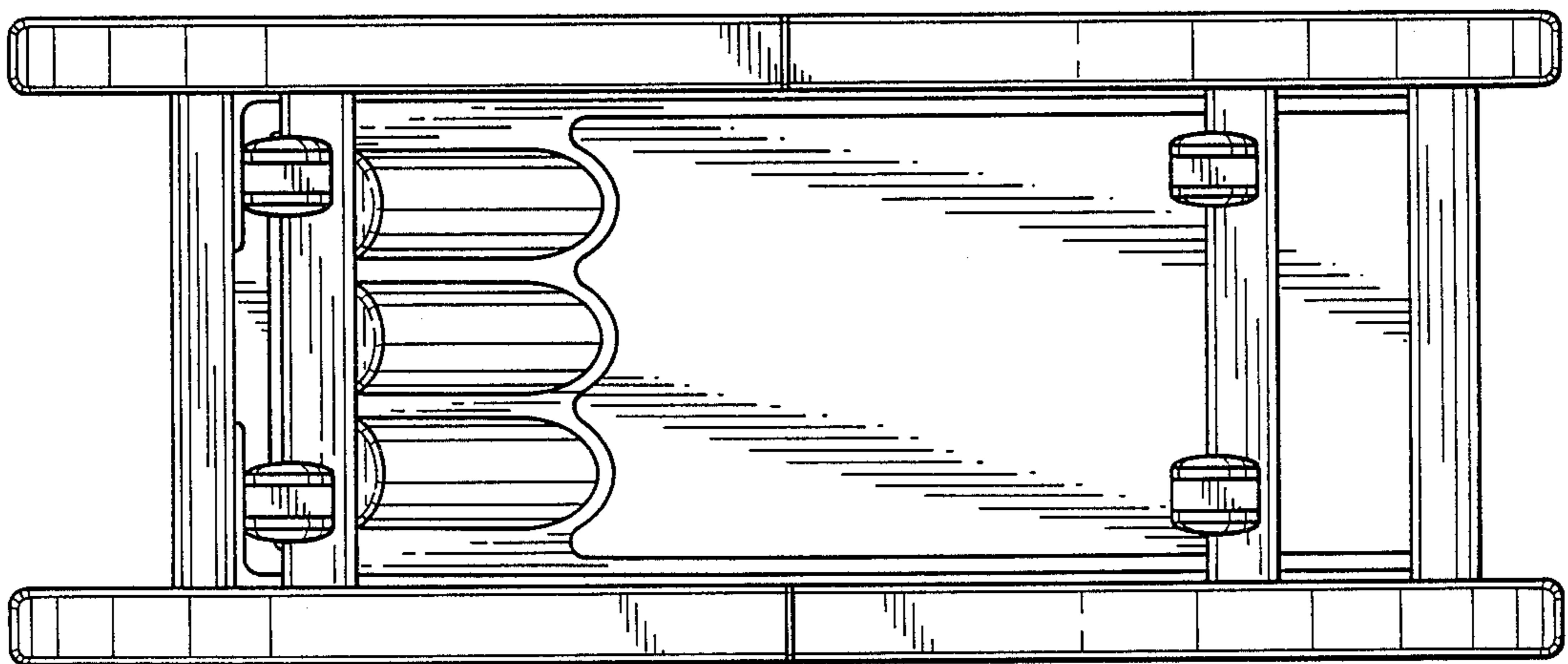


FIG. 6