

[54] ICE TRANSPORT CART

[75] Inventor: David A. Juergens, Winchester, Va.

[73] Assignee: Rubbermaid Commercial Products, Winchester, Va.

[\*\*] Term: 14 Years

[21] Appl. No.: 132,057

[22] Filed: Dec. 11, 1987

[52] U.S. Cl. .... D34/19; D34/5

[58] Field of Search ..... D34/1, 3, 4, 7, 8, 9, D34/10, 11, 12, 17, 18, 19, 20, 24, 25, 26; 220/1 T, 3.1, 212, 337; 232/1 R; 280/47.26

[56] References Cited

U.S. PATENT DOCUMENTS

- D. 291,738 9/1987 Orłowski ..... D34/5
- D. 291,739 9/1987 Orłowski ..... D34/5

- D. 292,638 11/1987 Carville ..... D34/5
- 4,749,101 6/1988 Durkan, Jr. .... 220/1 T

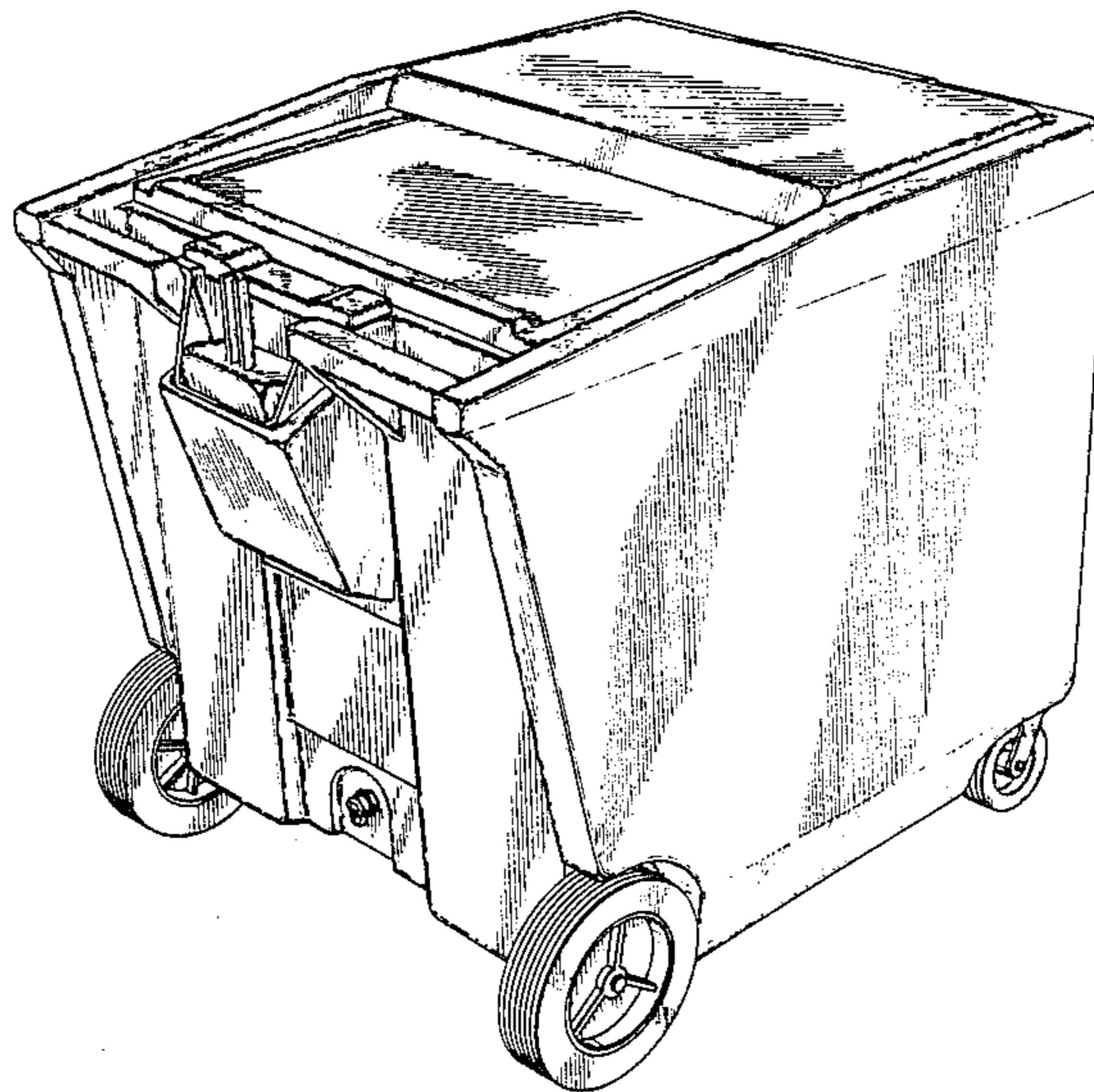
Primary Examiner—Wallace R. Burke  
Assistant Examiner—Kay H. Chin  
Attorney, Agent, or Firm—Richard B. O’Planick

[57] CLAIM

The ornamental design for an ice transport cart, as shown and described.

DESCRIPTION

FIG. 1 is a rear perspective view of an ice transport cart showing my new design.  
FIG. 2 is a top plan view thereof.  
FIG. 3 is a bottom plan view thereof.  
FIG. 4 is a front elevational view thereof.  
FIG. 5 is a rear elevational view thereof; and  
FIG. 6 is a side elevational view thereof, the opposite side elevational view being a mirror image of that shown.



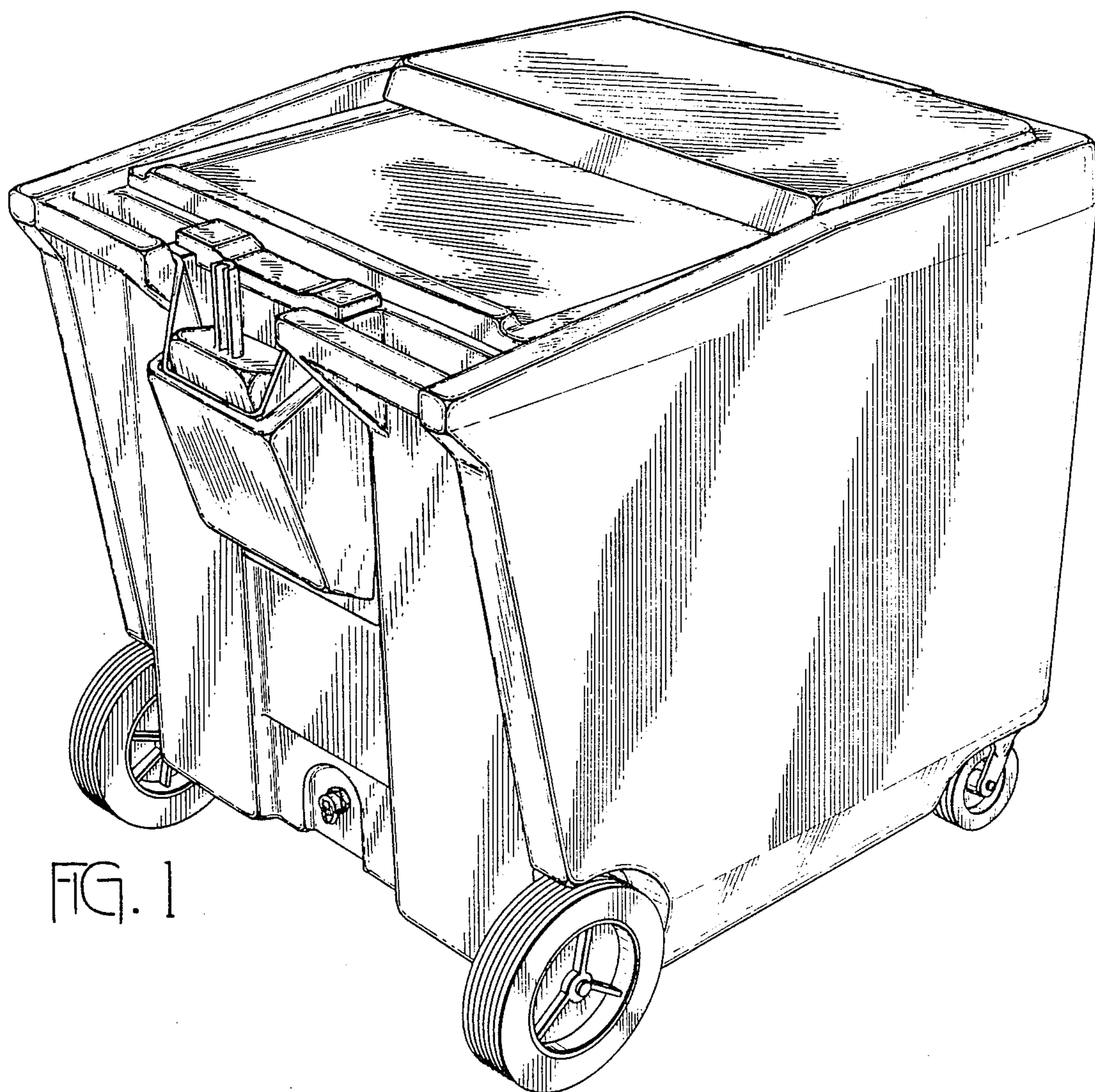


FIG. 1

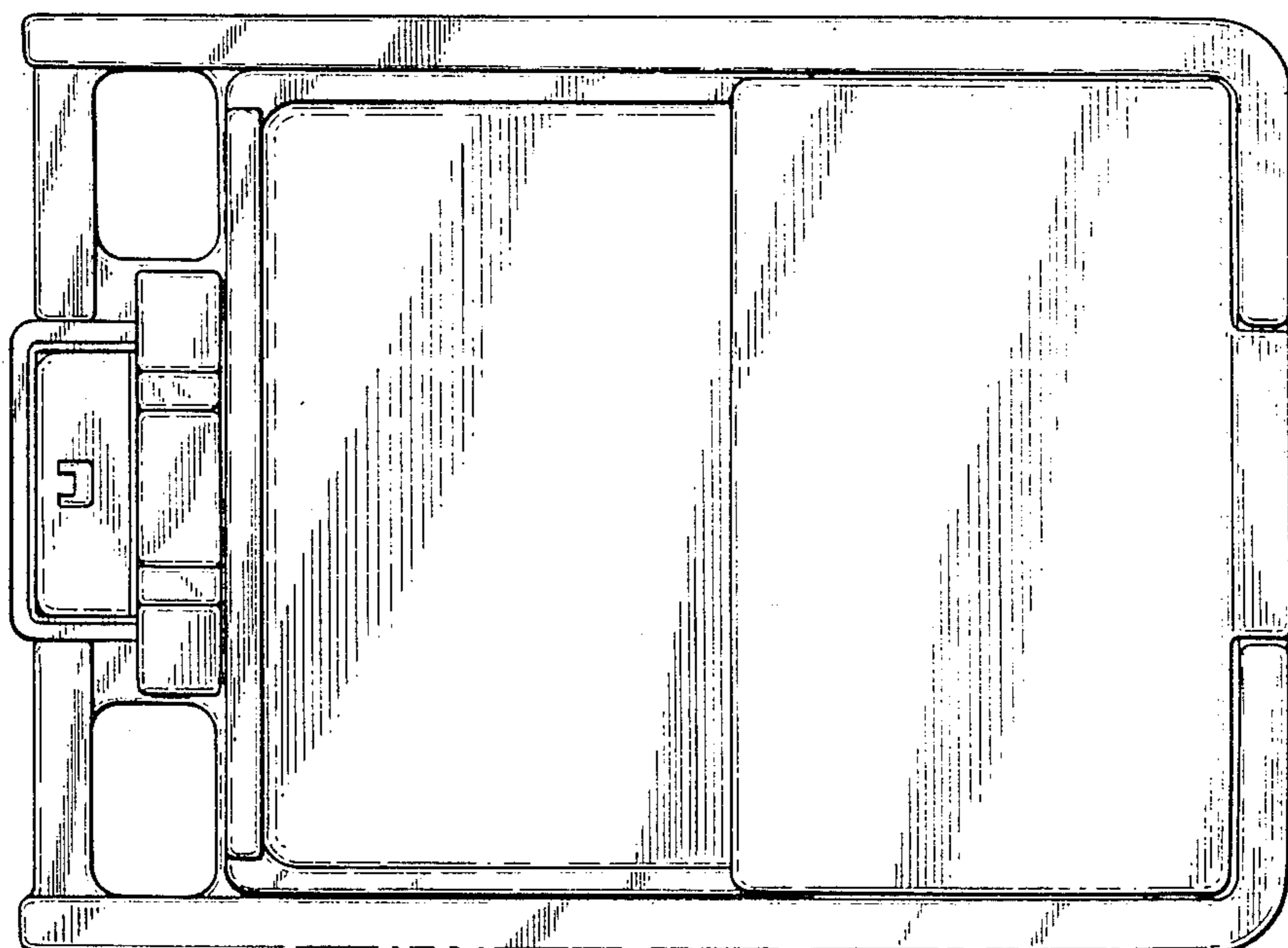


FIG. 2

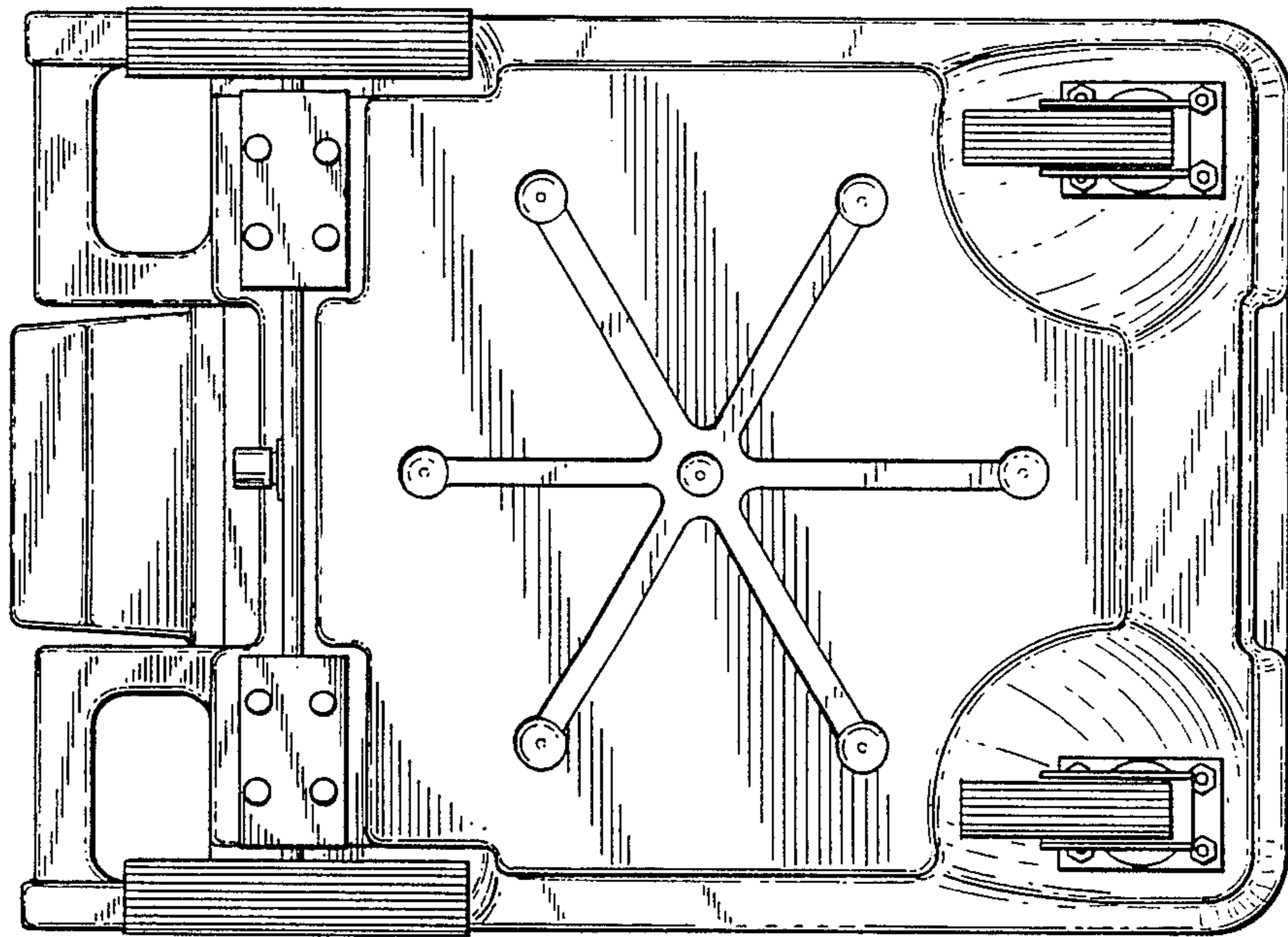


FIG. 3

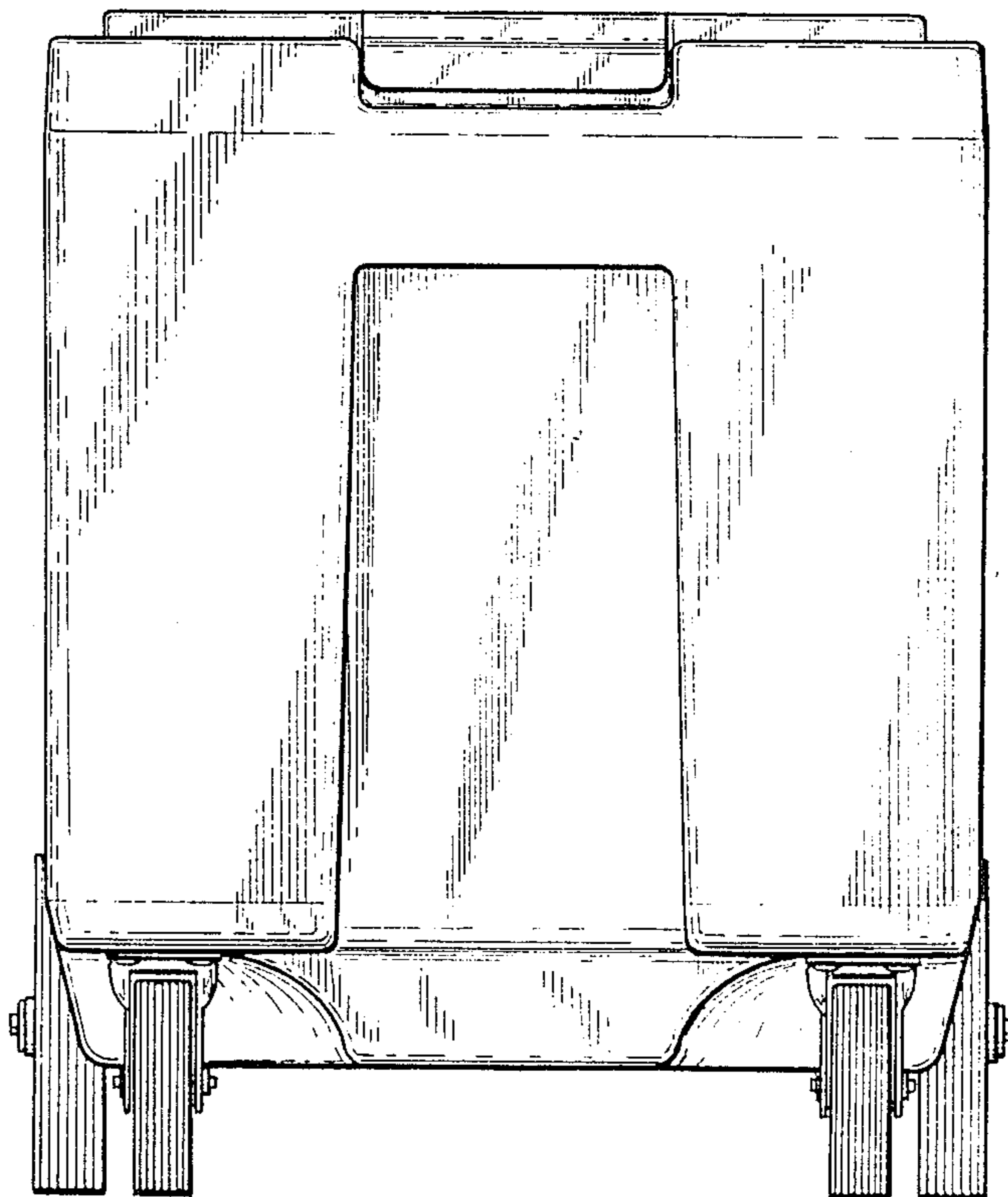


FIG. 4

FIG. 5

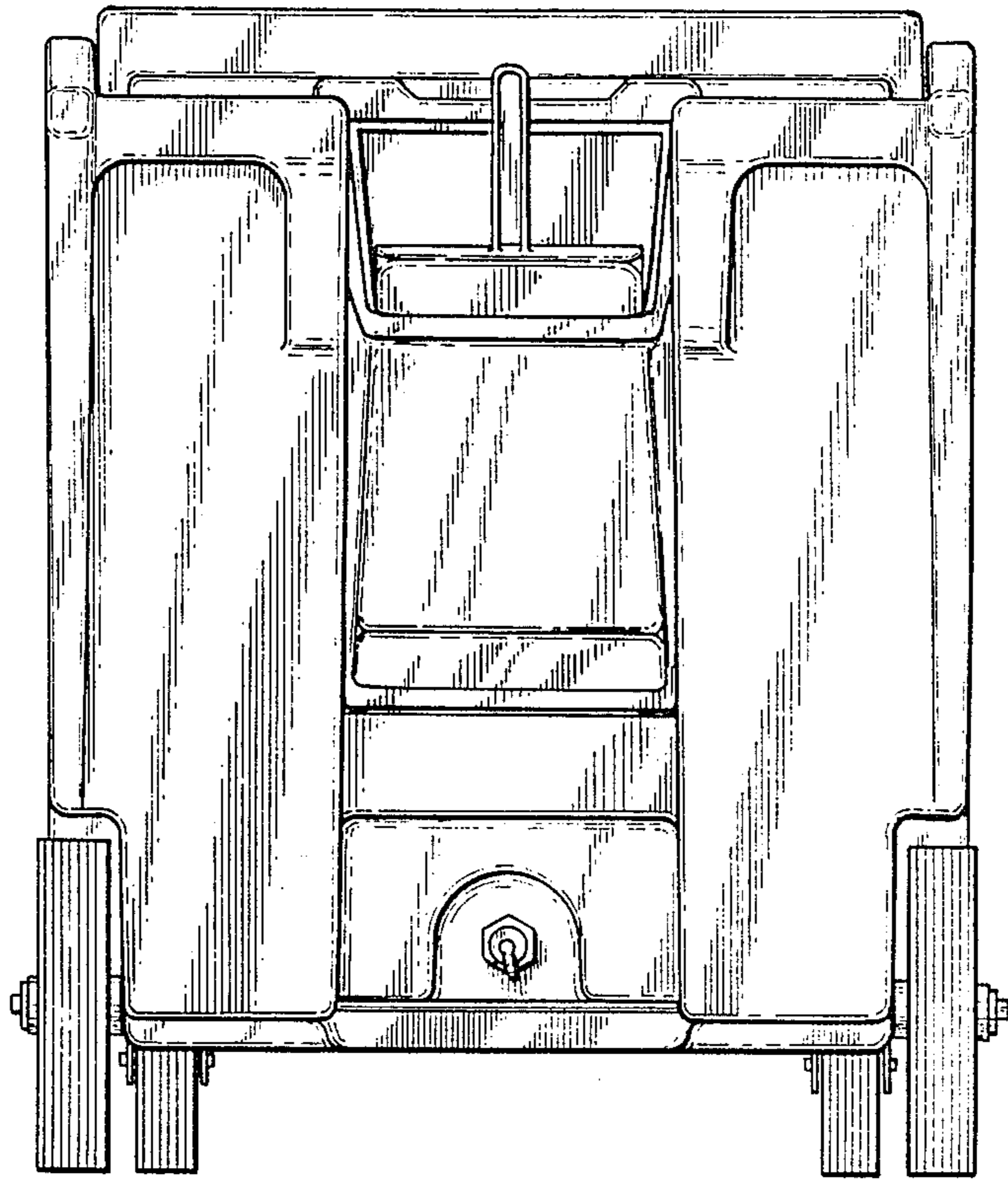


FIG. 6

