

[54] PAINT TRAY

[76] Inventor: Giovanni Sabatino, 435 Grace Street, Toronto, Ontario, Canada M6G 3A8

[\*\*] Term: 14 Years

[21] Appl. No.: 947,954

[22] Filed: Dec. 29, 1986

[52] U.S. Cl. .... D32/53.1

[58] Field of Search ..... D32/53, 53.1, 54; 15/104.92, 248 R, 257 R, 257.05, 257.06; 206/515, 518, 557; 220/69, 72, 85 R, 90, 92, 94 R, 94 A; 248/210-211, 151; 401/118-119, 121

[56] References Cited

U.S. PATENT DOCUMENTS

D. 120,685	5/1940	Kilmer, Sr. ....	D23/410
D. 179,439	12/1956	Bisson .....	D32/53
D. 202,134	8/1965	Bryan .....	D32/53.1
3,837,034	9/1974	Leffert et al. ....	15/257.06

Primary Examiner—Wallace R. Burke  
Assistant Examiner—L. Tabor  
Attorney, Agent, or Firm—Zarley McKee, Thomte, Voorhees & Sease

[57] CLAIM

The ornamental design for a paint tray, as shown and described.

DESCRIPTION

FIG. 1 is a perspective view of a paint tray showing my new design;  
FIG. 2 is a side elevational view, the opposite being a mirror image thereof;  
FIG. 3 is a front elevational view thereof;  
FIG. 4 is a bottom plan view thereof; and  
FIG. 5 is a modified form of the paint tray shown in FIG. 1 wherein the only difference resides in the two opposite walls which are each inclined and have similar supporting legs.

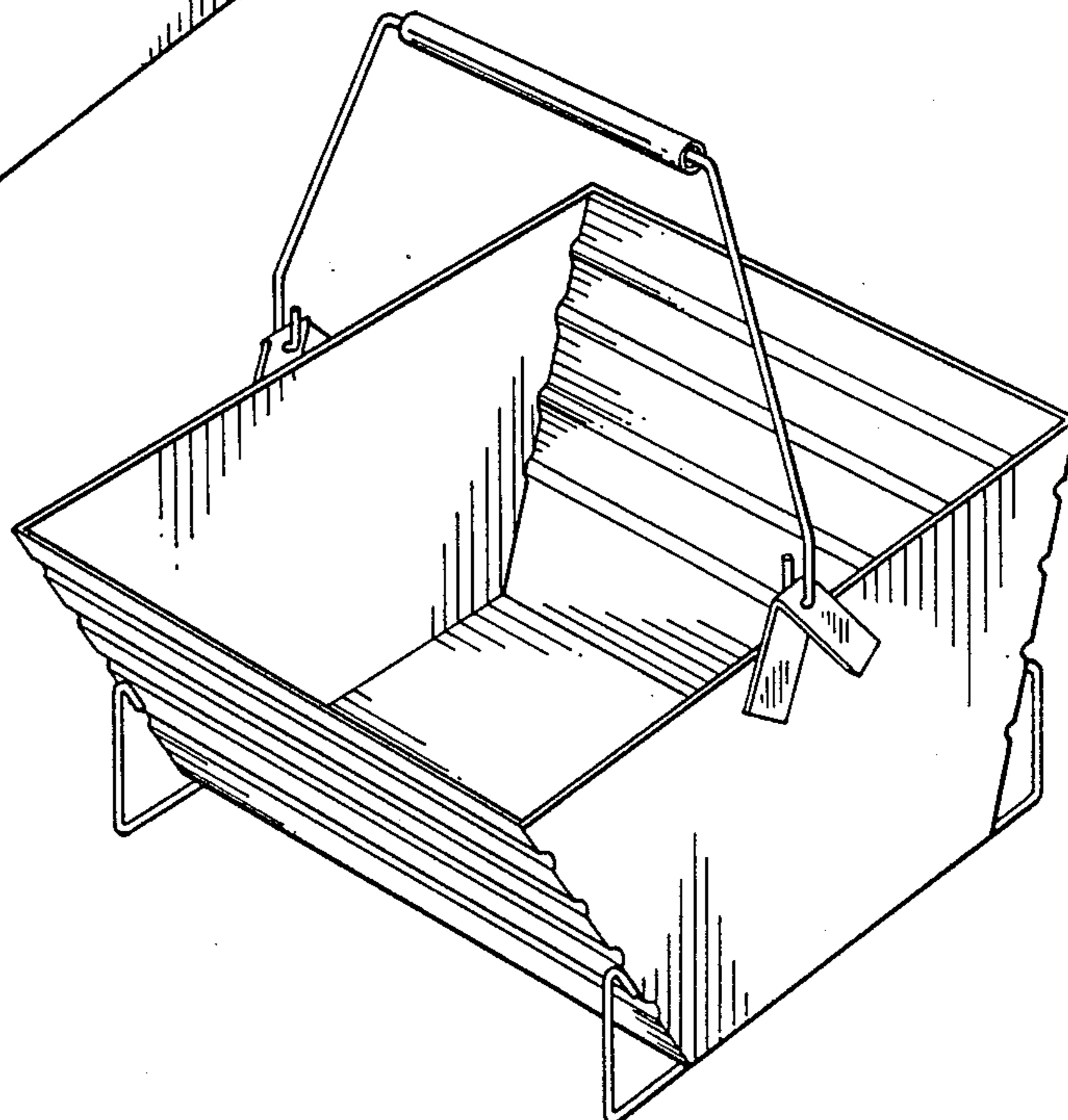
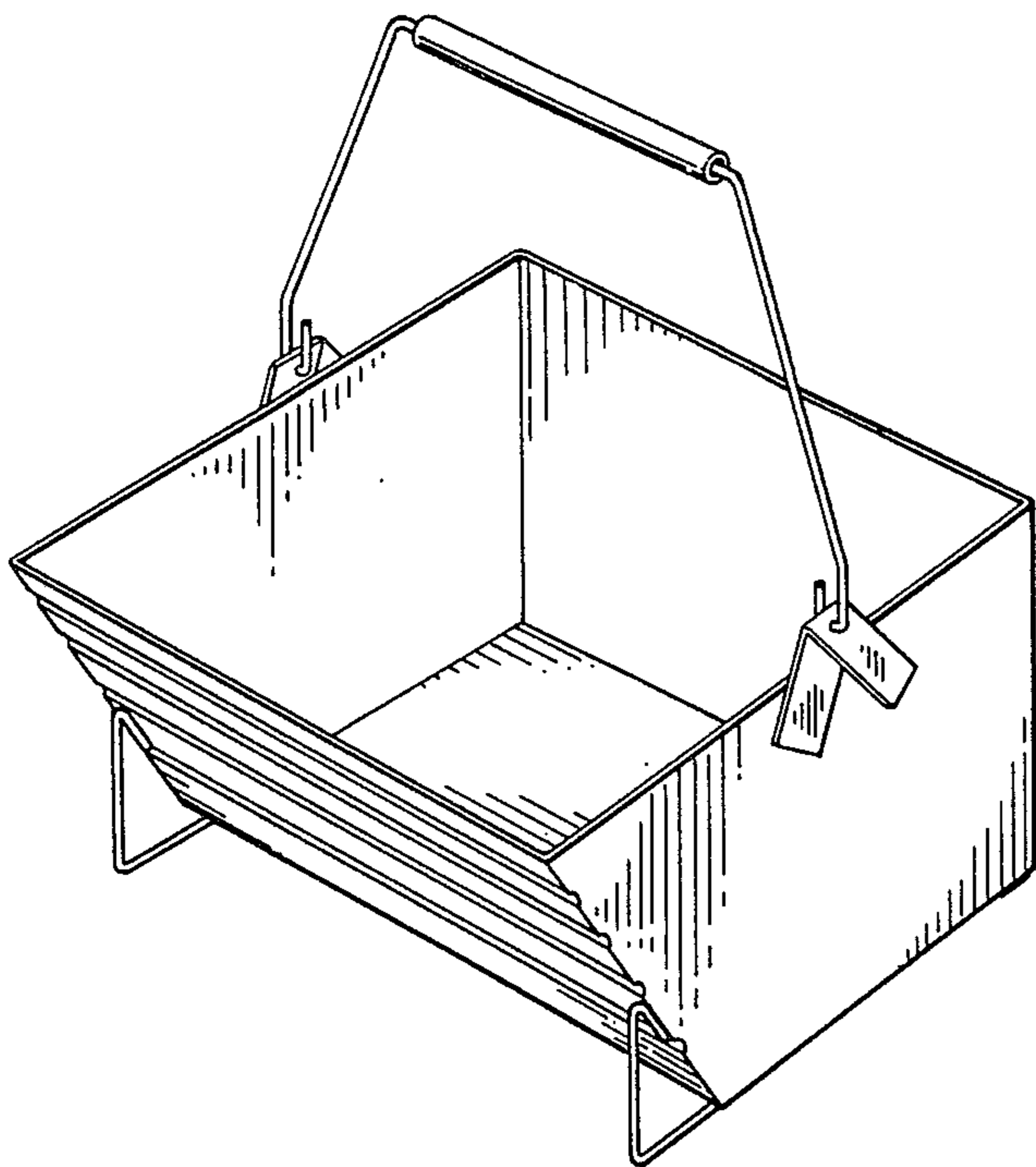


FIG.1.

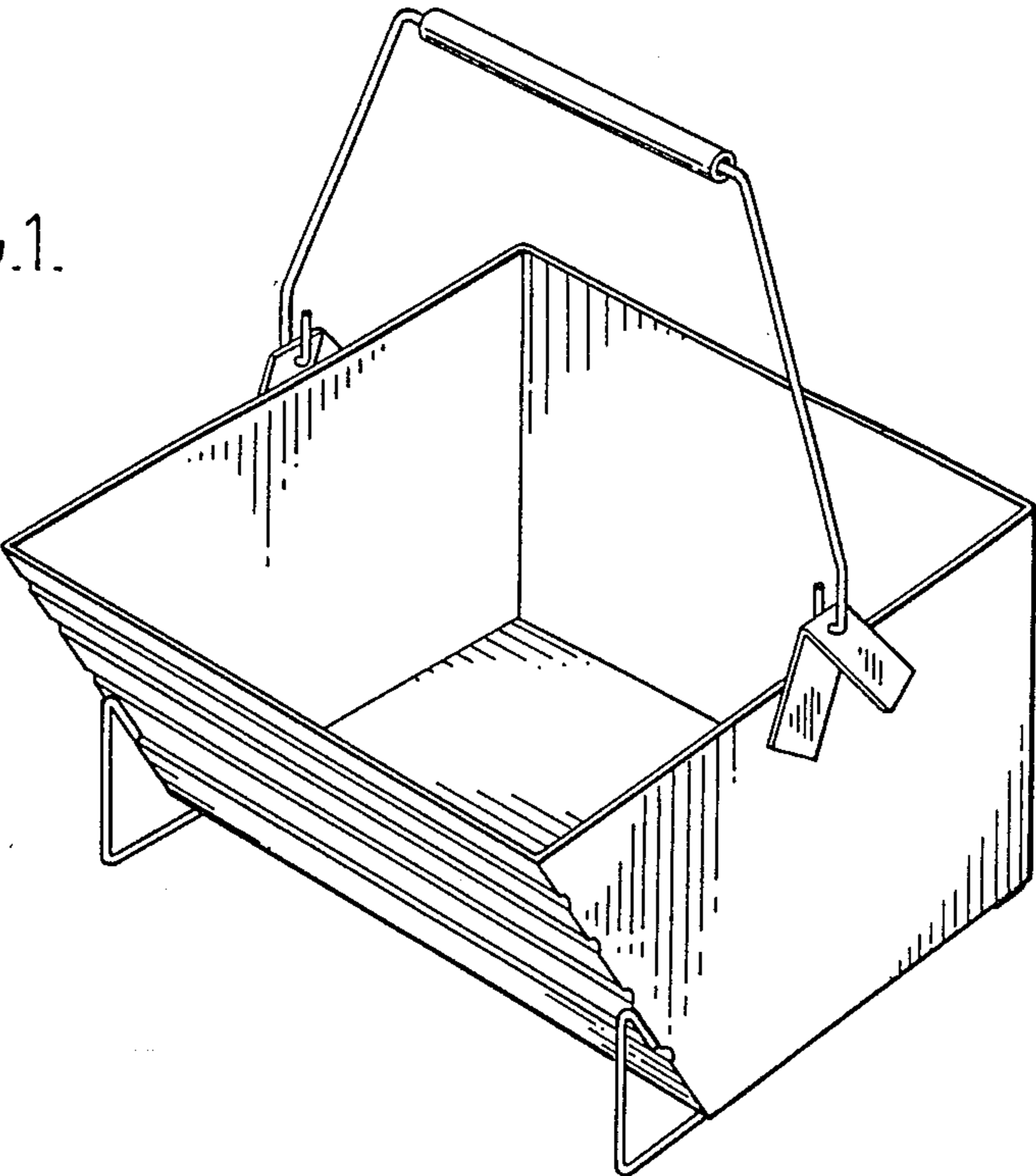


FIG.2.

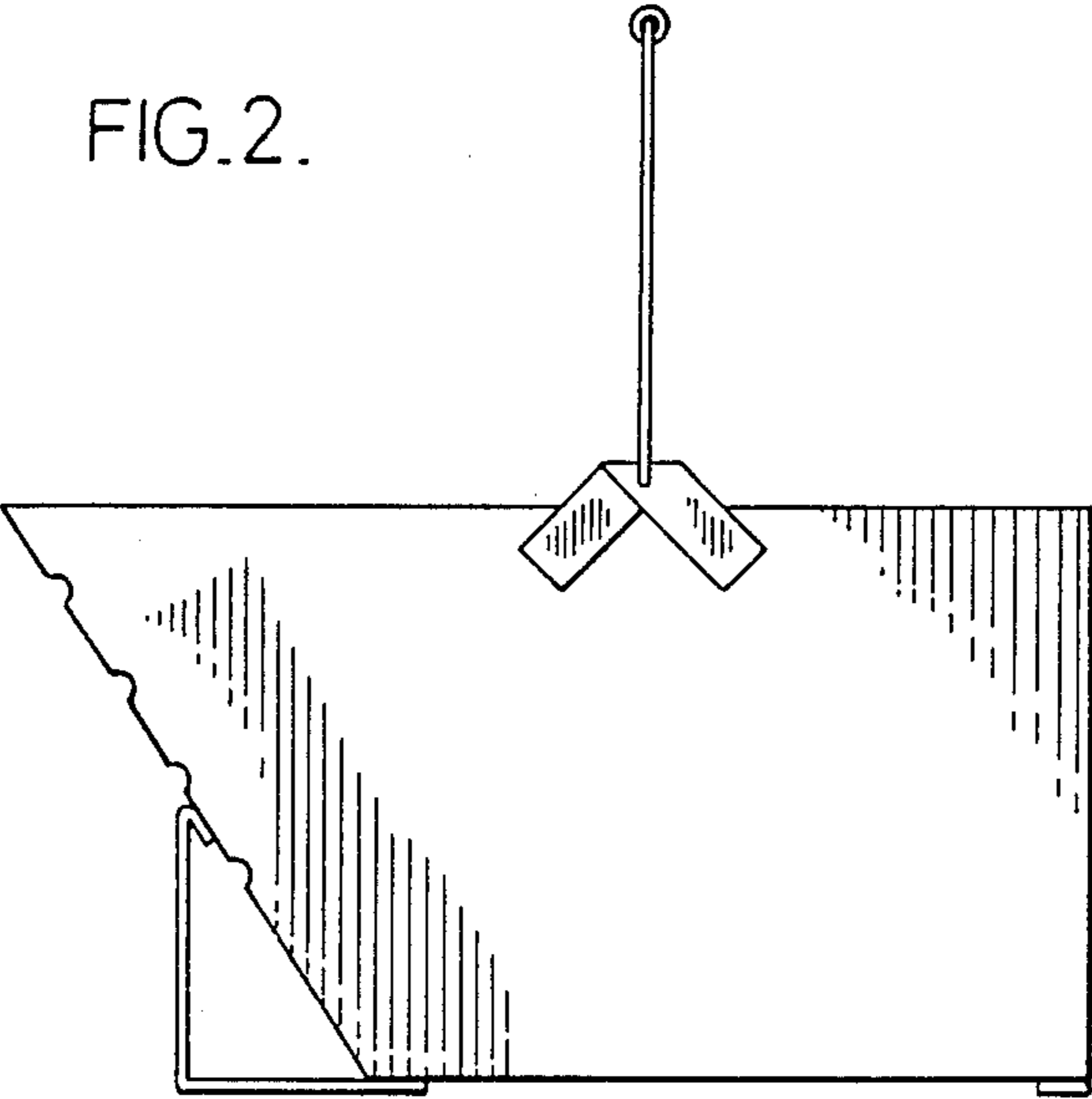


FIG. 3.

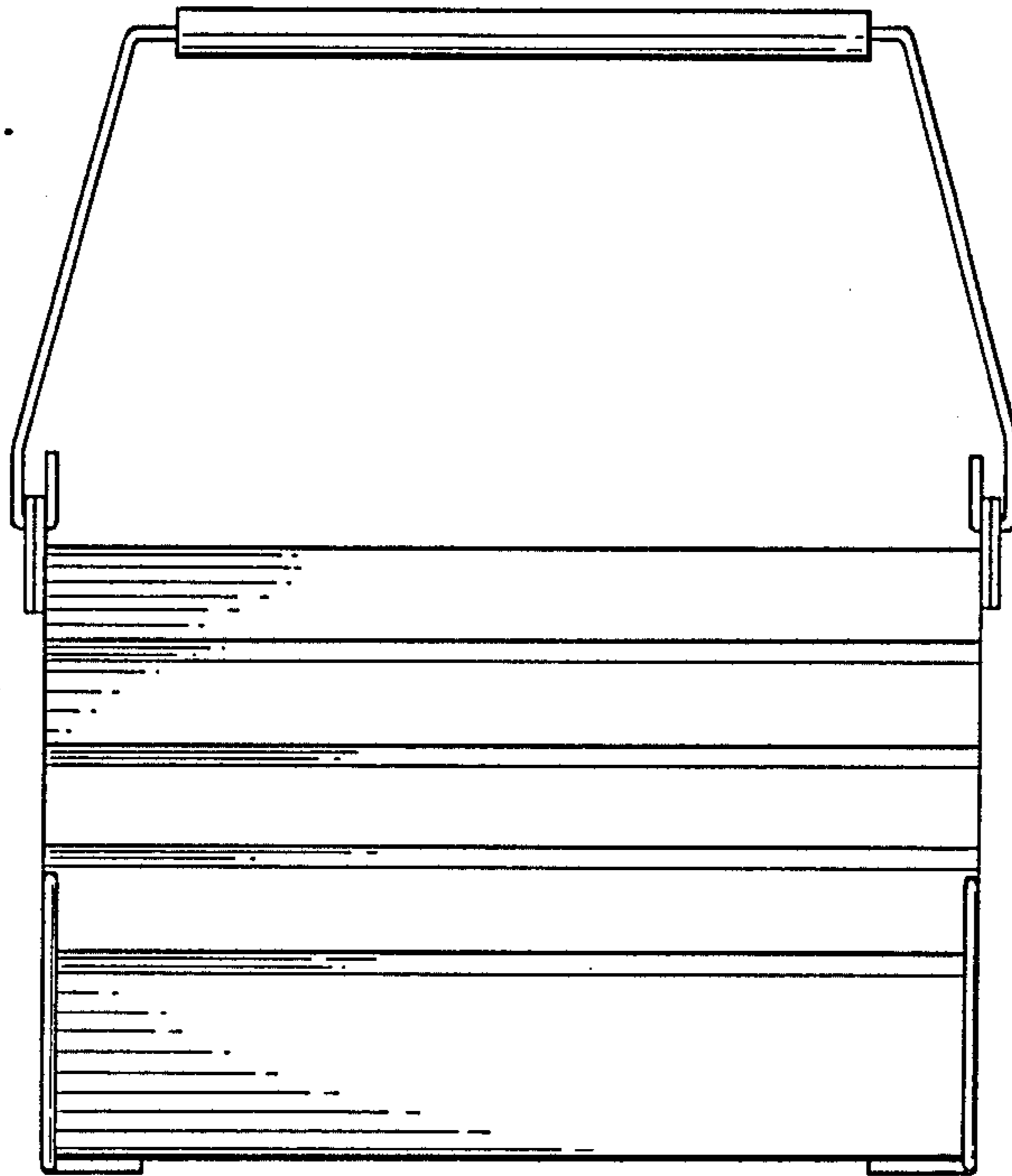
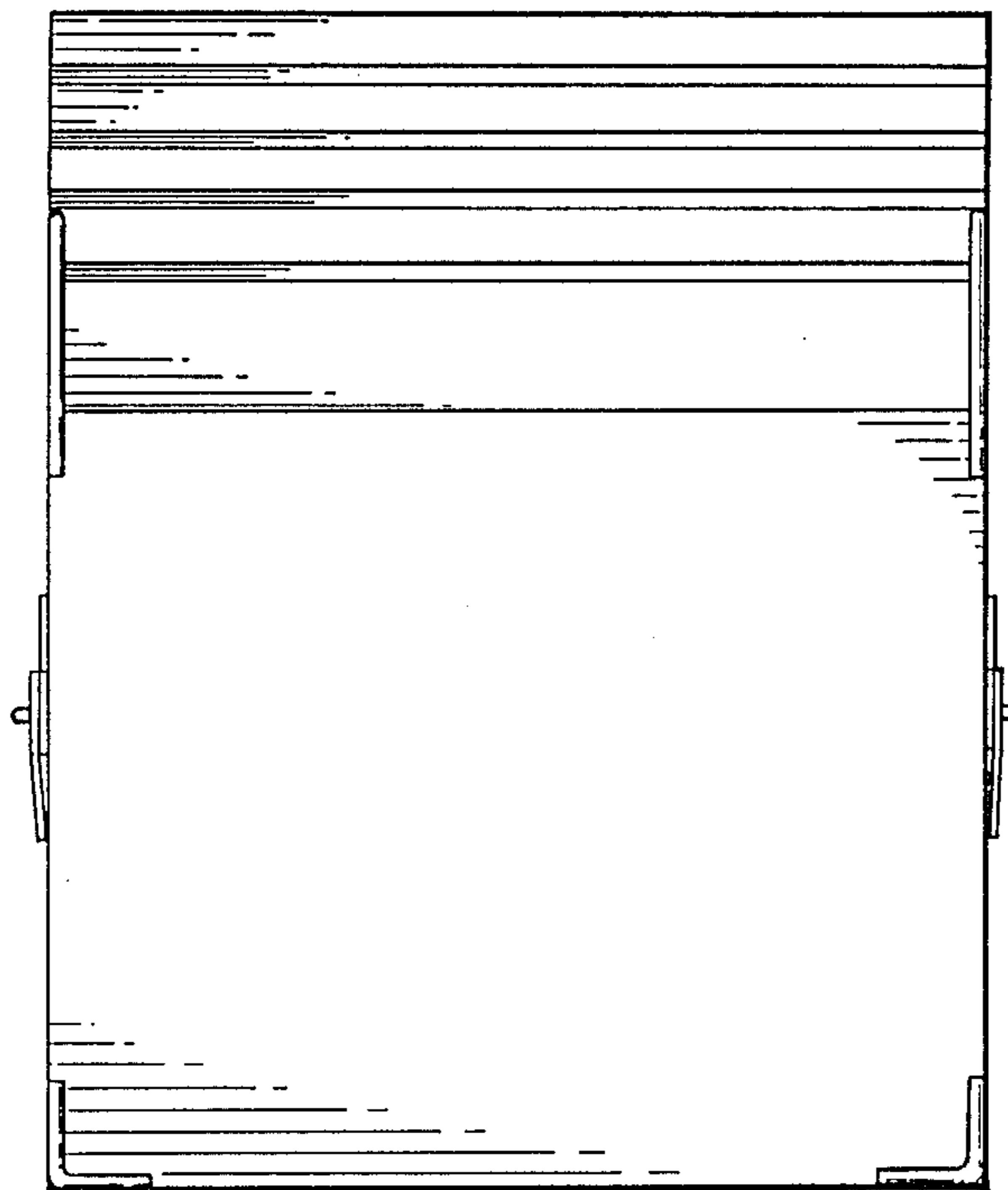


FIG. 4.



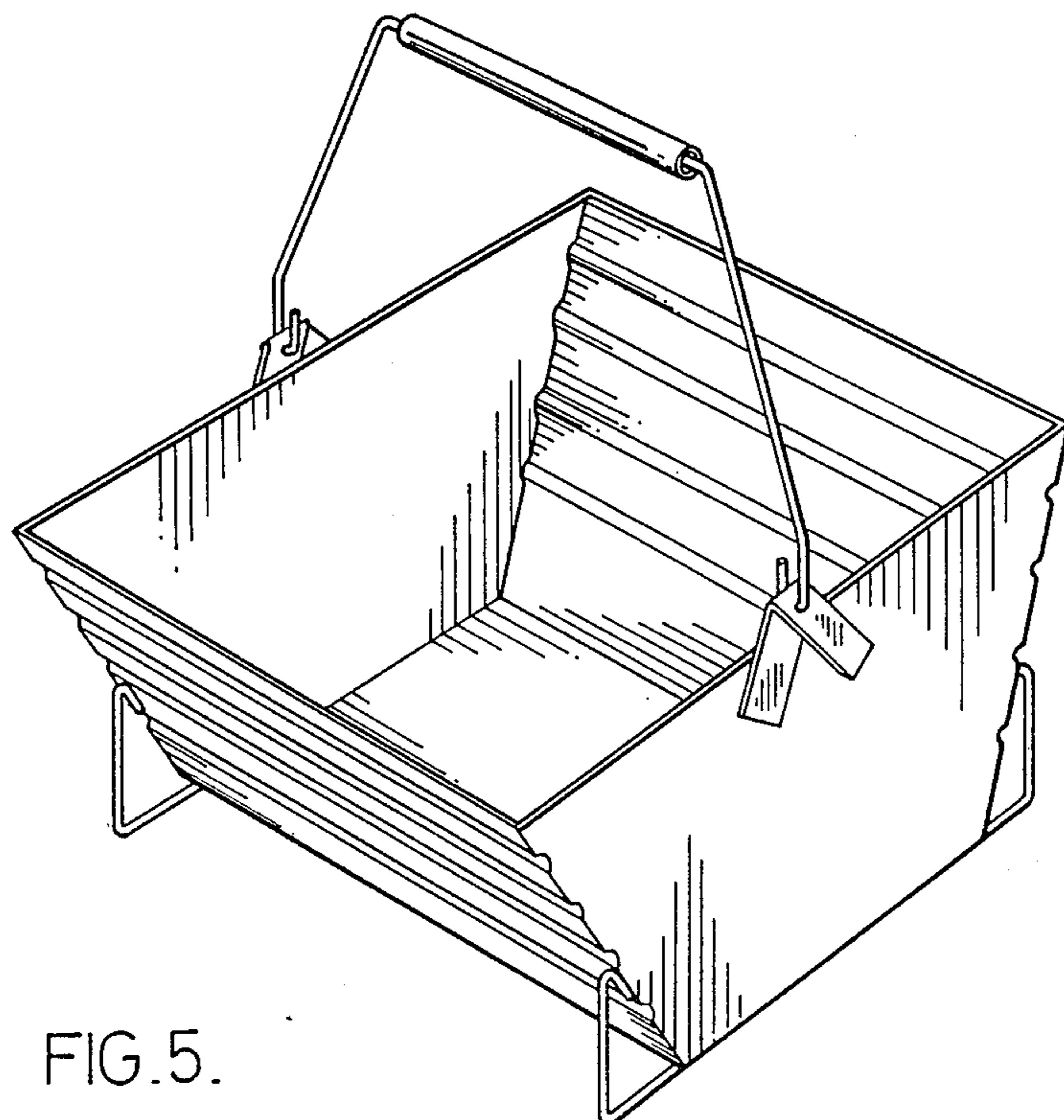


FIG. 5.