

[54] **COLLAPSIBLE WORK HORSE**

[76] **Inventor: Harry W. Anderson, 425 Ohio Ave., Glassport, Pa. 15045**

[**] **Term: 14 Years**

[21] **Appl. No.: 63,520**

[22] **Filed: Jun. 18, 1987**

[52] **U.S. Cl. D25/67**

[58] **Field of Search D25/67; 182/153, 155**

[56] **References Cited**

U.S. PATENT DOCUMENTS

D. 276,074	10/1984	Wagster	D25/67
1,191,687	7/1916	Gillett	182/153
2,427,679	9/1947	Larson	182/153

Primary Examiner—A. Hugo Word
Assistant Examiner—Doris Clark

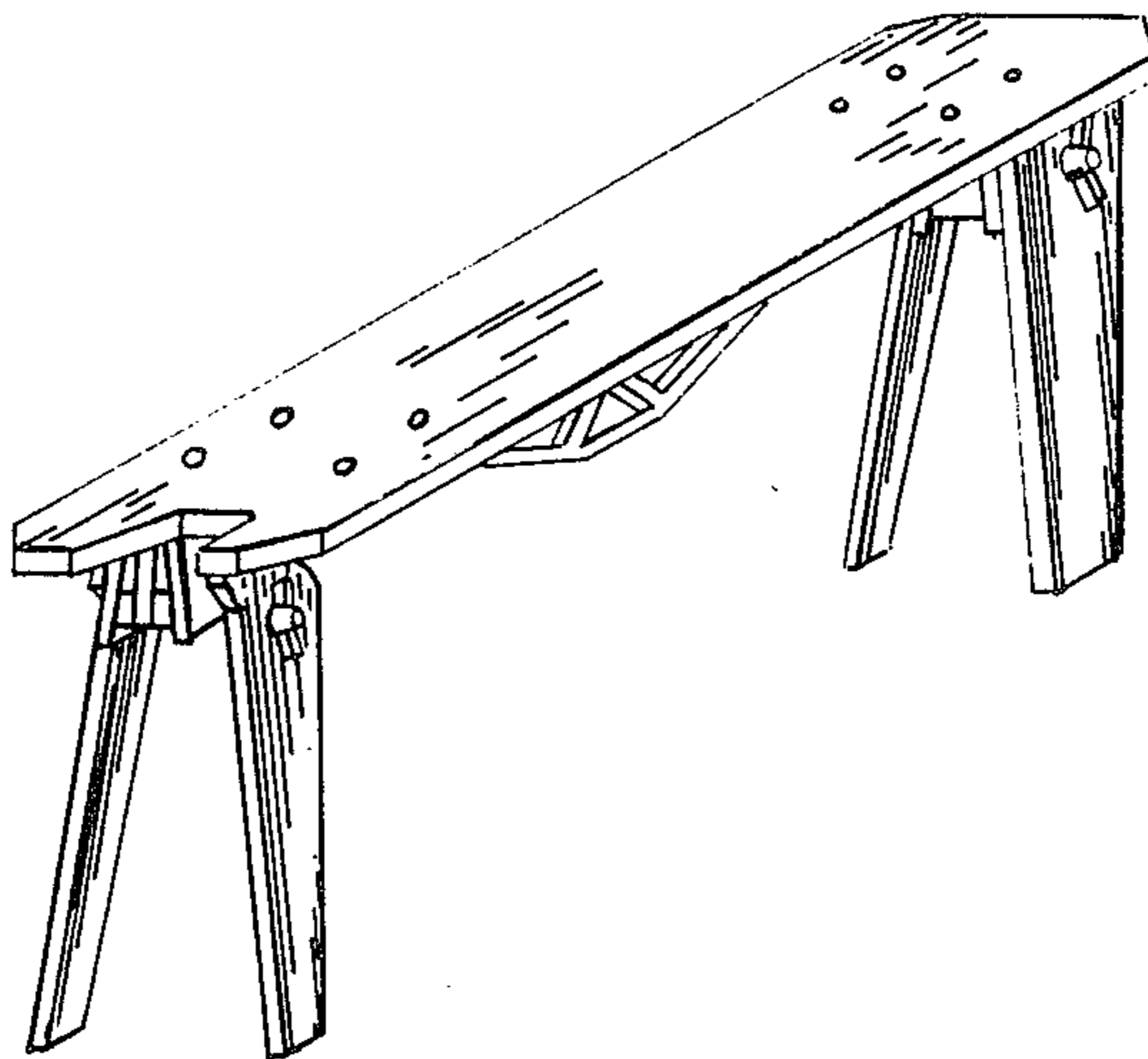
Attorney, Agent, or Firm—William J. Ruano

[57] **CLAIM**

The ornamental design for a collapsible work horse, as shown and described.

DESCRIPTION

FIG. 1 is a top perspective view of a collapsible work horse showing my new design;
FIG. 2 is a bottom perspective view thereof;
FIG. 3 is a side elevational view thereof;
FIG. 4 is an end elevational view thereof;
FIG. 5 is a bottom plan view thereof;
FIG. 6 is a side elevational view thereof in collapsed position; and,
FIG. 7 is an end elevational view thereof in collapsed position, the broken lines showing of the hand is for illustrative purposes only and forms no part of the claimed design.



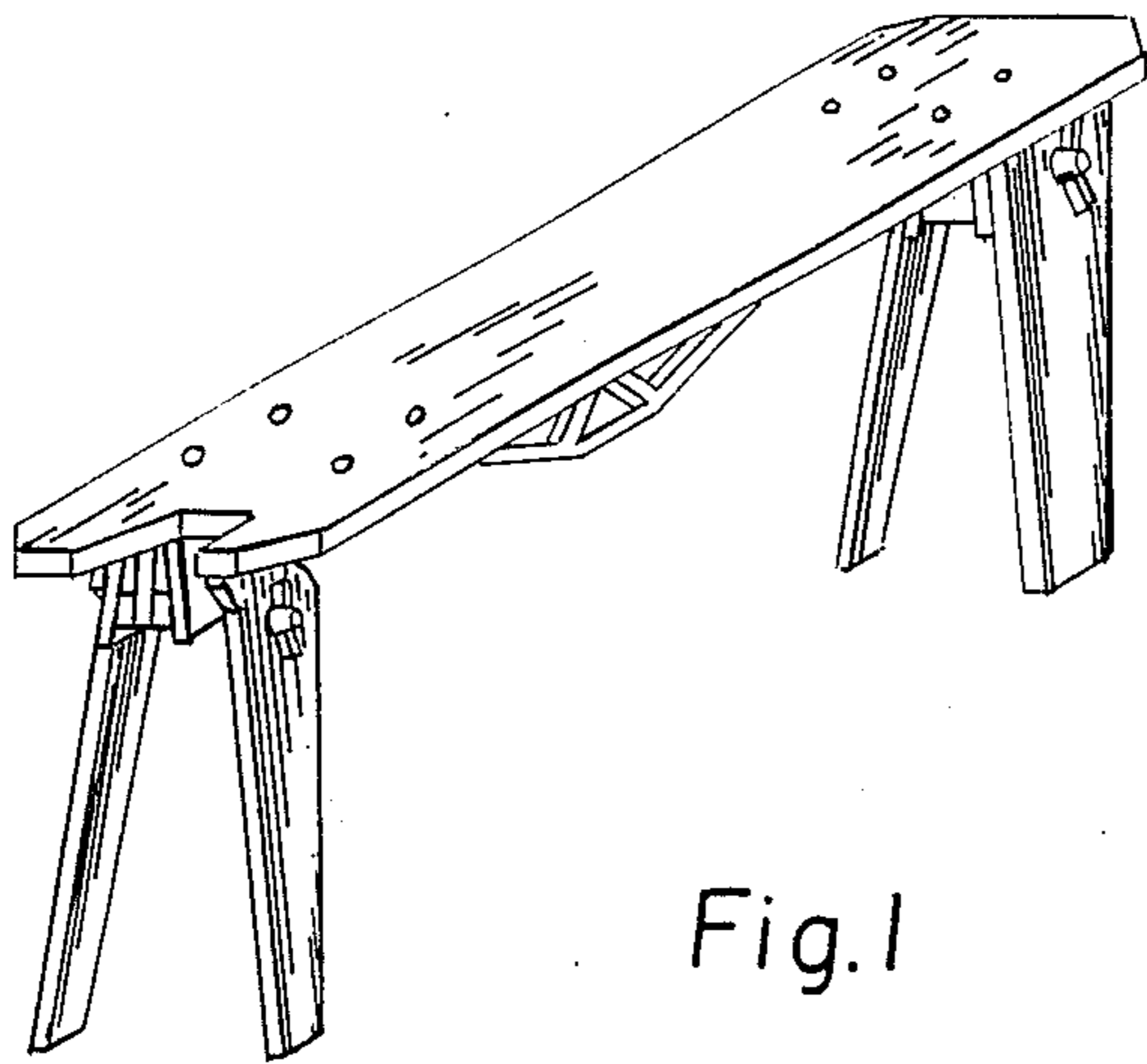


Fig. 1

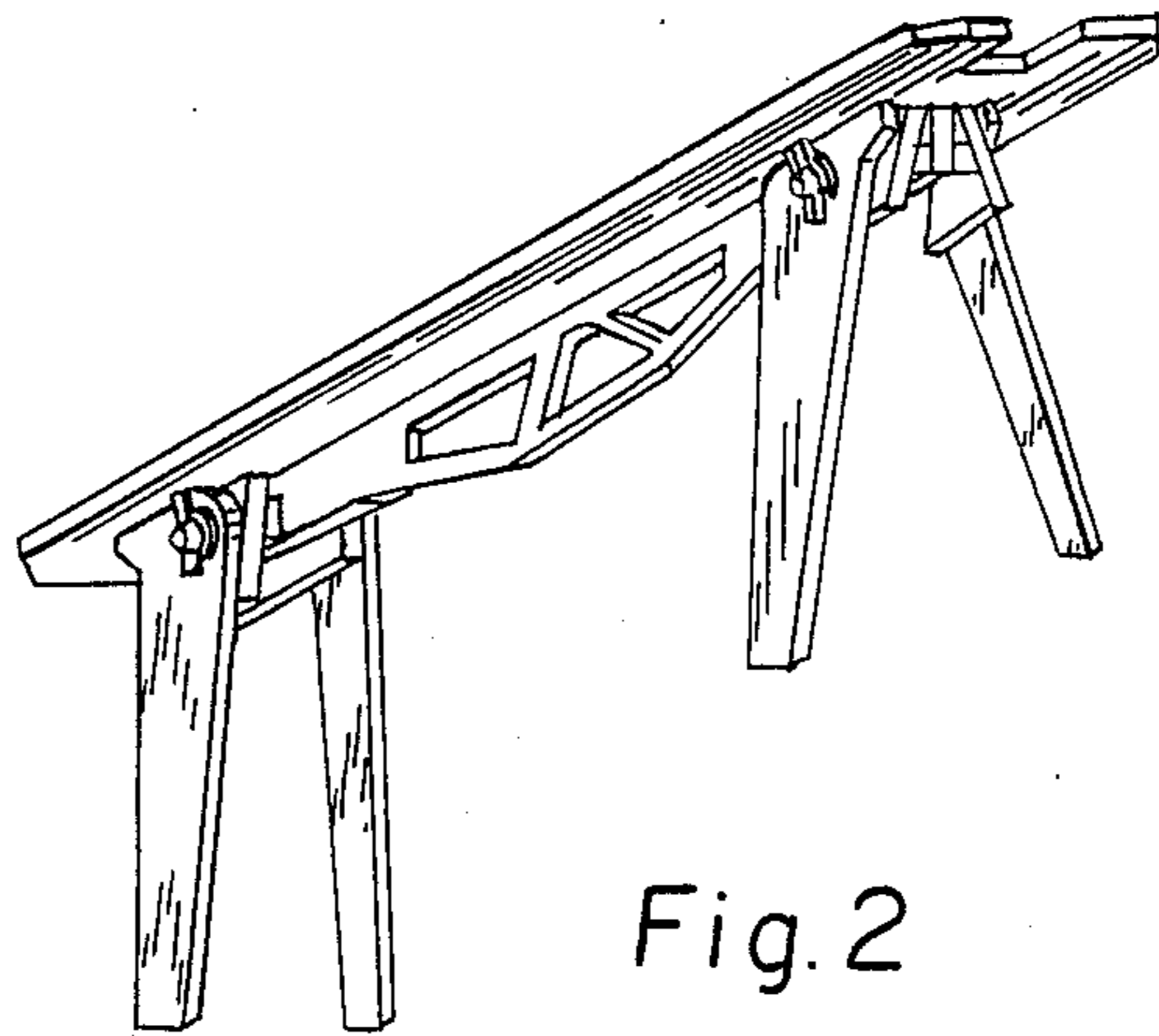


Fig. 2

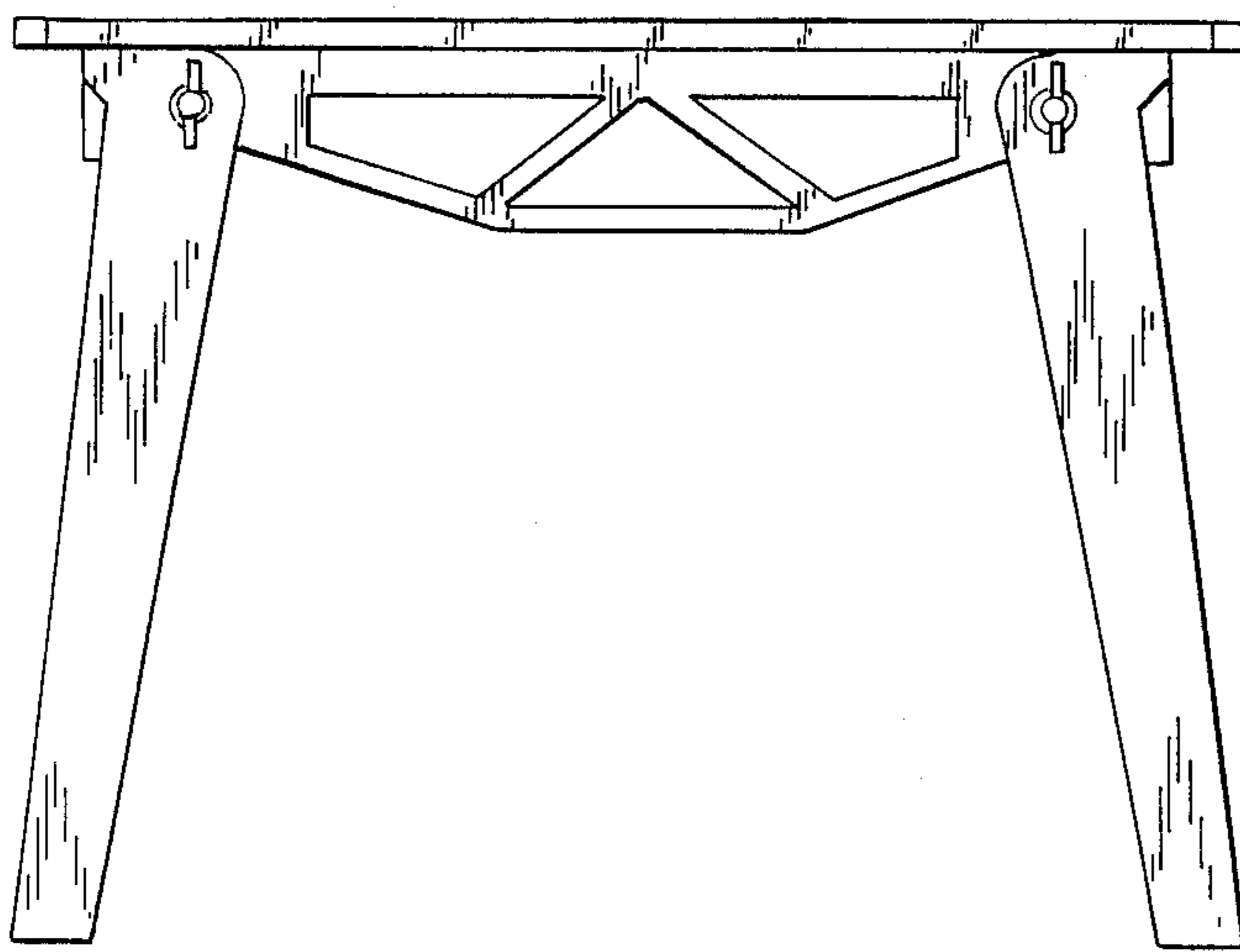


Fig. 3

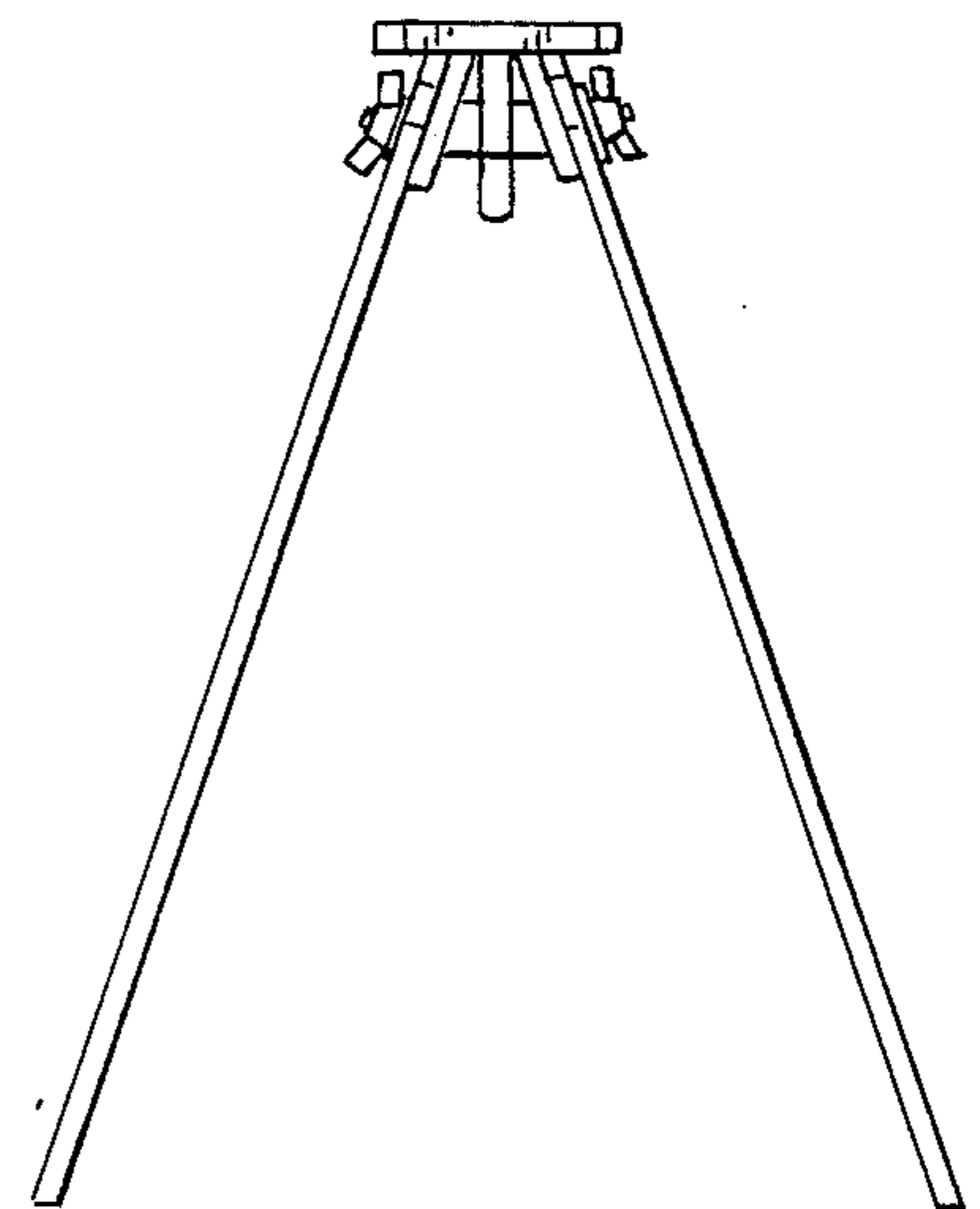


Fig. 4

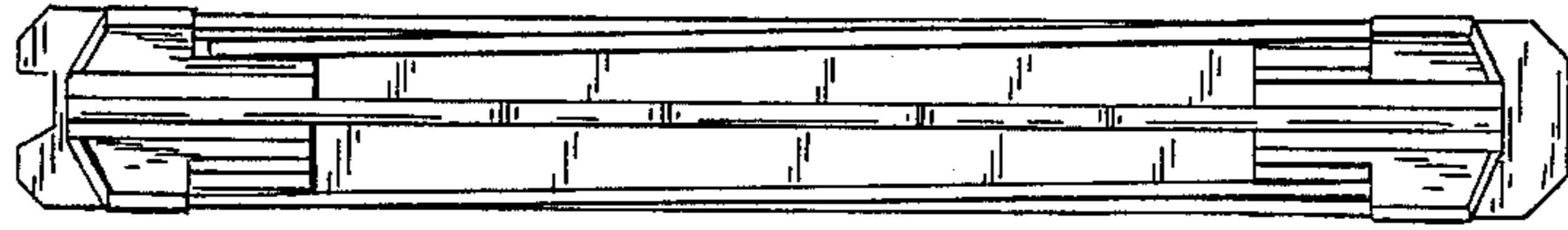


Fig. 5

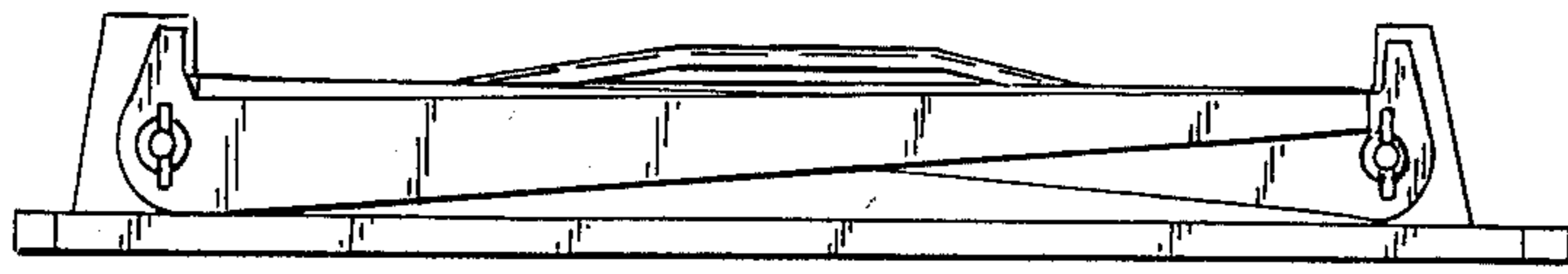


Fig. 6

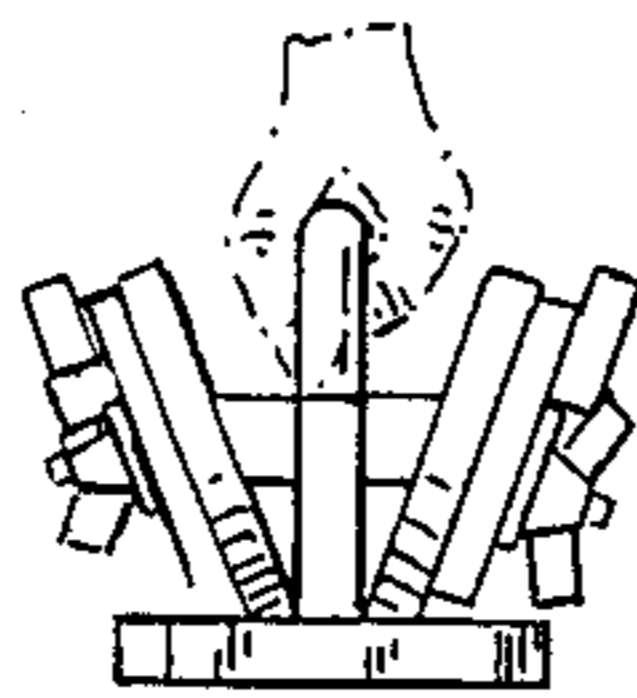


Fig. 7