

[54] BIOPSY NEEDLE OR THE LIKE

[75] Inventors: James P. McMenamy, Warwick;  
John J. Montferret, Newark, N.J.

[73] Assignee: Becton, Dickinson and Company,  
Franklin Lakes, N.J.

[\*\*] Term: 14 Years

[21] Appl. No.: 891,503

[22] Filed: Jul. 29, 1986

[52] U.S. Cl. .... D24/24

[58] Field of Search ..... D24/24, 14; 128/753,  
128/754; 604/170, 164, 30

[56] References Cited

U.S. PATENT DOCUMENTS

D. 138,589	8/1944	Brandenburg	.....	D24/24
1,867,624	7/1932	Hoffman	.....	128/754
3,175,554	3/1965	Stewart	.....	128/754
3,406,685	10/1968	May	.....	604/164
4,230,123	10/1980	Hawkins, Jr.	.....	128/754 X

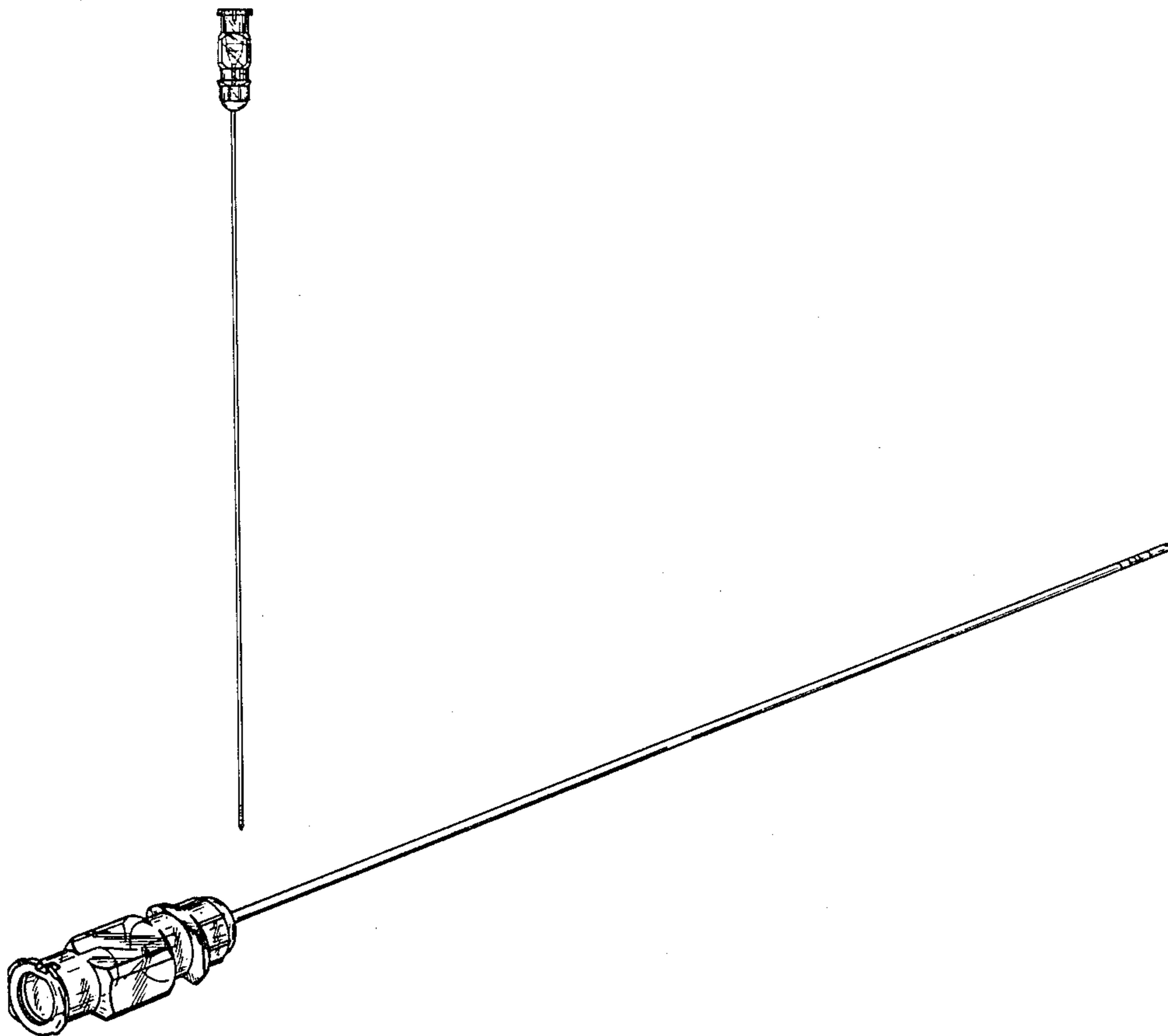
Primary Examiner—Wallace R. Burke  
Assistant Examiner—Stella M. Reid  
Attorney, Agent, or Firm—John L. Voellmicke

[57] CLAIM

The ornamental design for a biopsy needle or the like, as shown and described.

DESCRIPTION

FIG. 1 is a side elevational view of a biopsy needle or the like, showing our new design;  
FIG. 2 is a side elevational view of the needle as viewed from the right side in FIG. 1;  
FIG. 3 is a side elevational view of the needle as viewed from the rear in FIG. 1;  
FIG. 4 is a side elevational view of the needle as viewed from the left side in FIG. 1;  
FIG. 5 is an enlarged bottom plan view of the needle of FIG. 1;  
FIG. 6 is an enlarged top plan view of the needle in FIG. 1;  
FIG. 7 is an enlarged, fragmentary side elevational view of the tip portion of the needle;  
FIG. 8 is an enlarged, fragmentary side elevational view, showing an alternate embodiment of the tip portion;  
FIG. 9 is an enlarged, fragmentary side elevational view, showing another alternate embodiment of the tip portion; and  
FIG. 10 is a perspective view of the needle in FIG. 1.



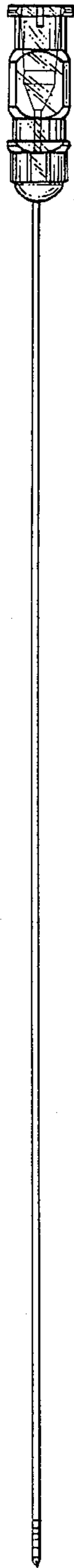


FIG. 1

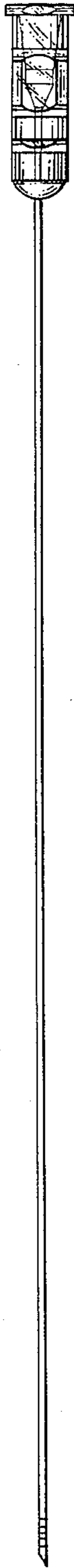


FIG. 2

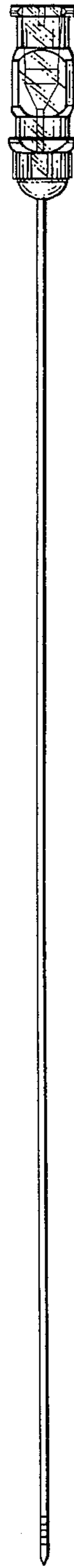


FIG. 3



FIG. 4

FIG.5

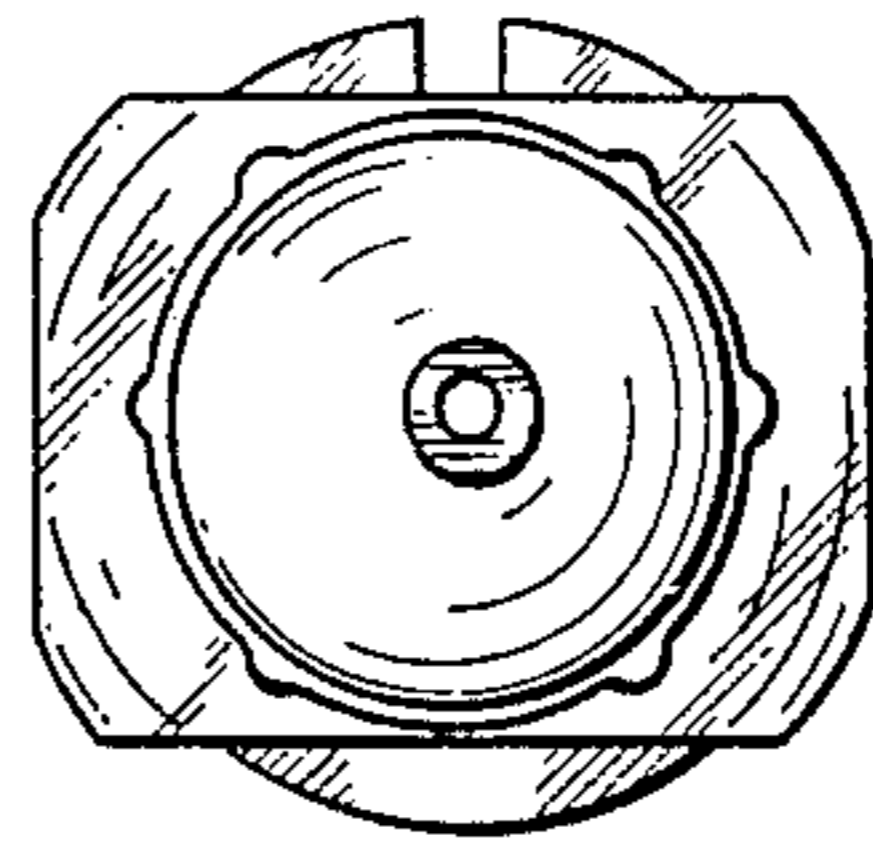


FIG.6

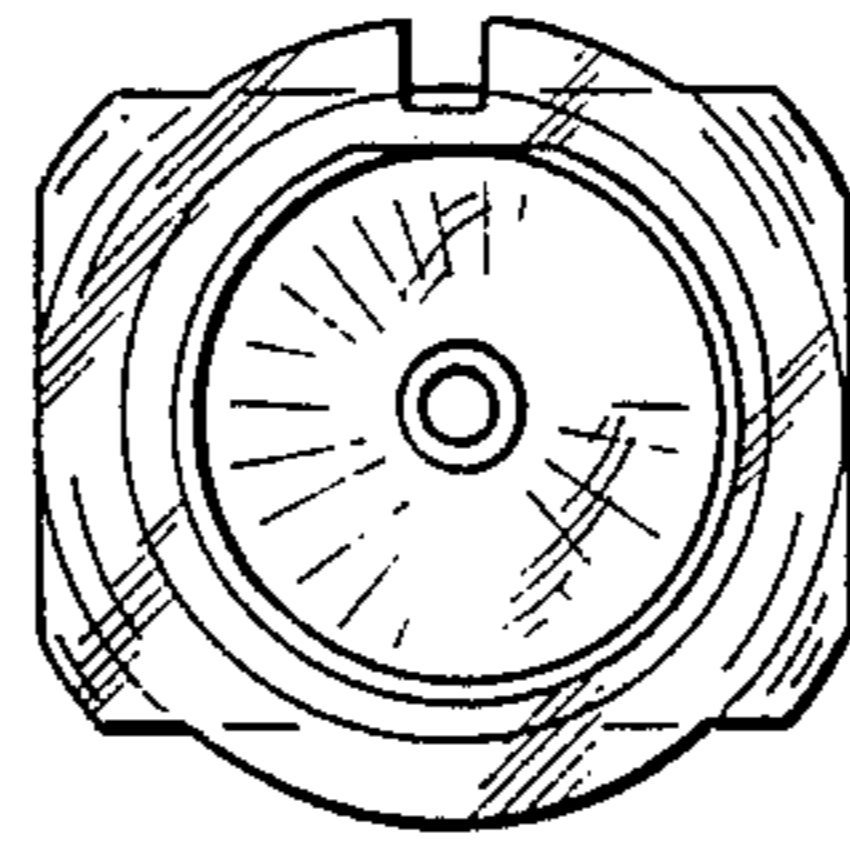


FIG.7



*FIG. 8*



*FIG. 9*

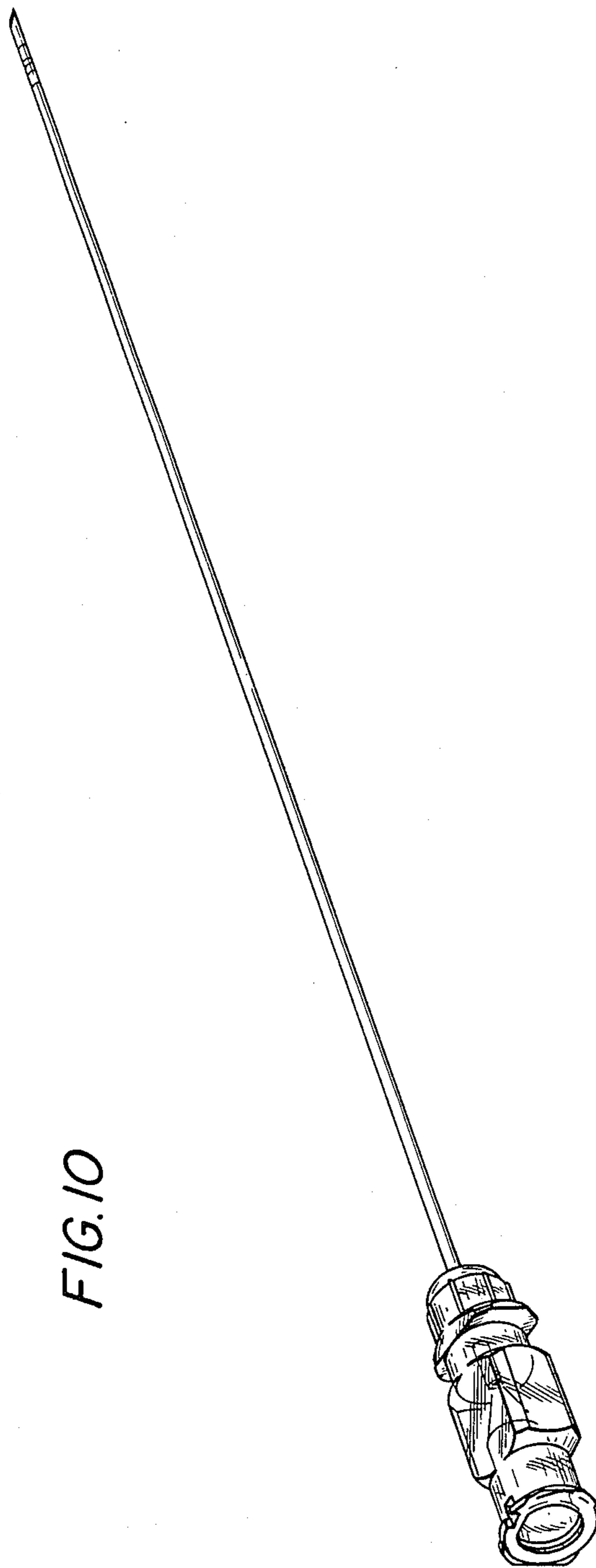


FIG. 10