

[54] **HEATER**

[75] **Inventor: Francois Mongeau, Ile Bizard, Canada**

[73] **Assignee: Turkhot Tech. Inc., Canada**

[**] **Term: 14 Years**

[21] **Appl. No.: 53,703**

[22] **Filed: May 26, 1987**

[30] **Foreign Application Priority Data**

Nov. 26, 1986 [CA] Canada 01-12-86-2

[52] **U.S. Cl. D23/314; D23/328**

[58] **Field of Search D23/314, 317, 328, 330, D23/332, 335, 337, 340, 342, 370, 381; 219/200, 280, 322, 339, 342, 345-348, 366, 369-373**

[56] **References Cited**

U.S. PATENT DOCUMENTS

D. 210,725	4/1968	Lo Turco	D23/351
D. 213,694	4/1969	Baron	D23/337
D. 276,263	11/1984	Armbruster	D23/370
1,798,290	3/1931	Winner et al.	D23/314 X
3,775,590	11/1973	Gartner	219/366

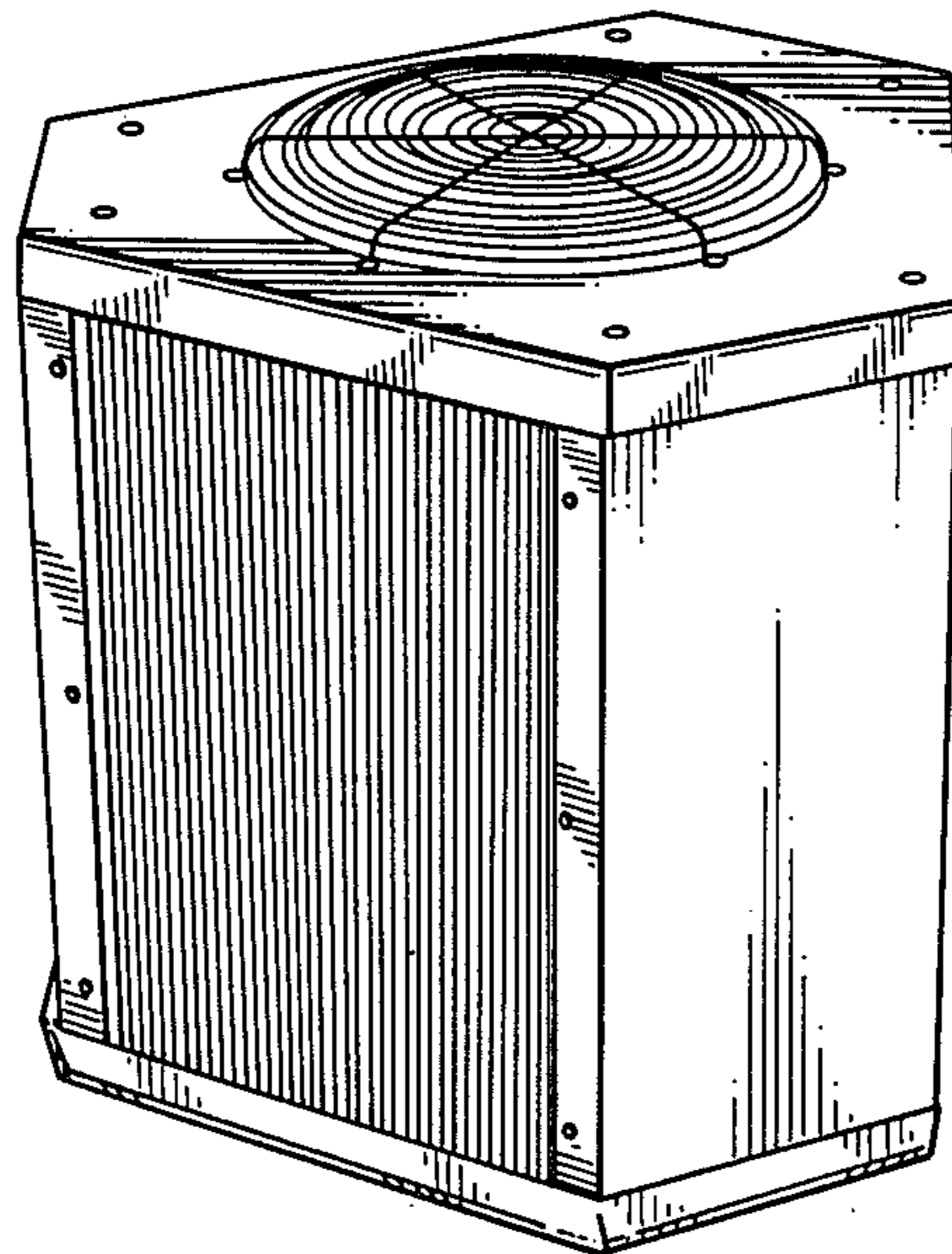
Primary Examiner—Wallace R. Burke
Assistant Examiner—Brian N. Vinson
Attorney, Agent, or Firm—Larson and Taylor

[57] **CLAIM**

The ornamental design for a heater, as shown.

DESCRIPTION

FIG. 1 is a top and front perspective view of a heater showing my new design; FIG. 2 is a front elevational view thereof, the adjacent left side being identical in appearance and the adjacent right side being plain and unornamented; and FIG. 3 is a top plan view thereof.



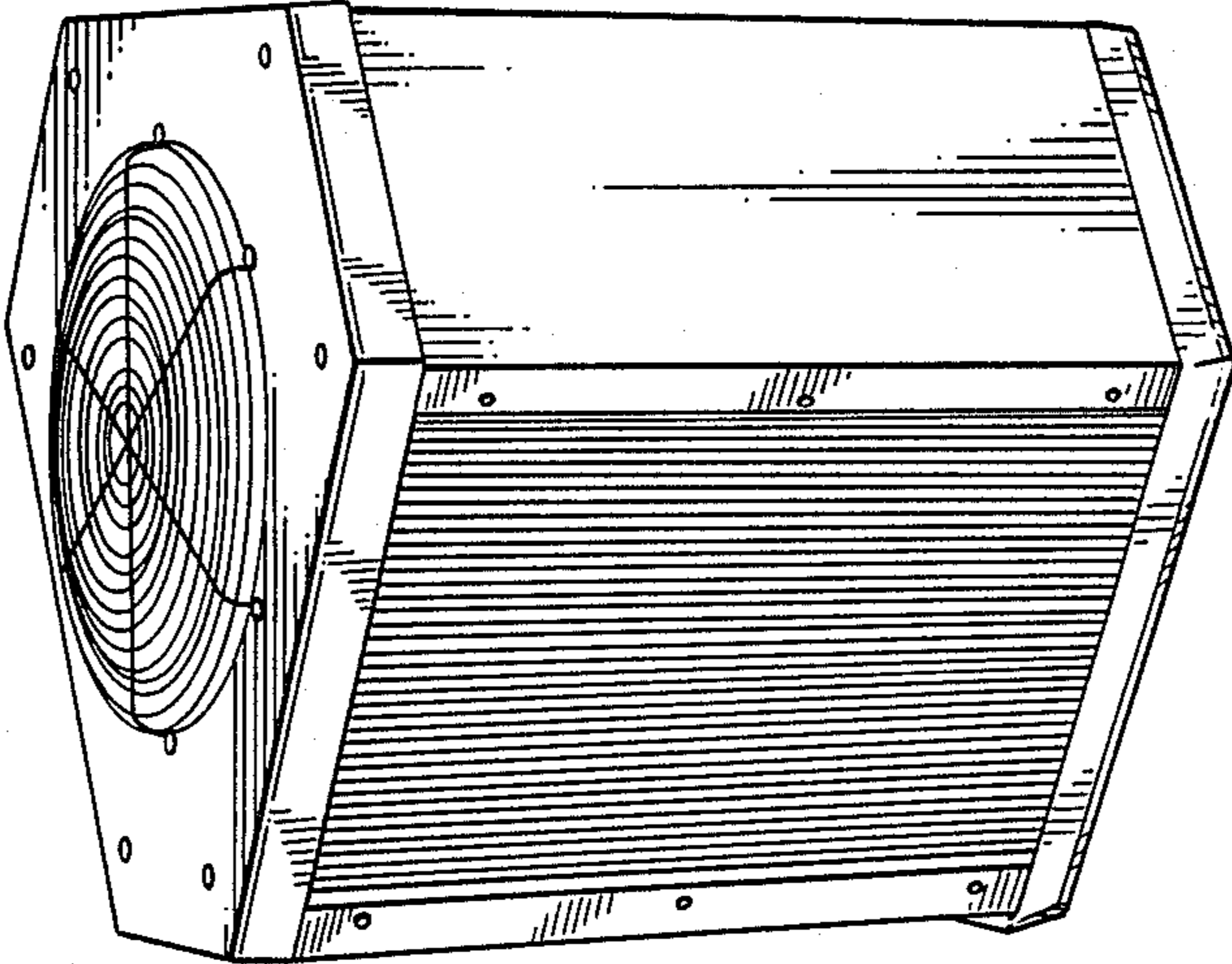


FIG. 1

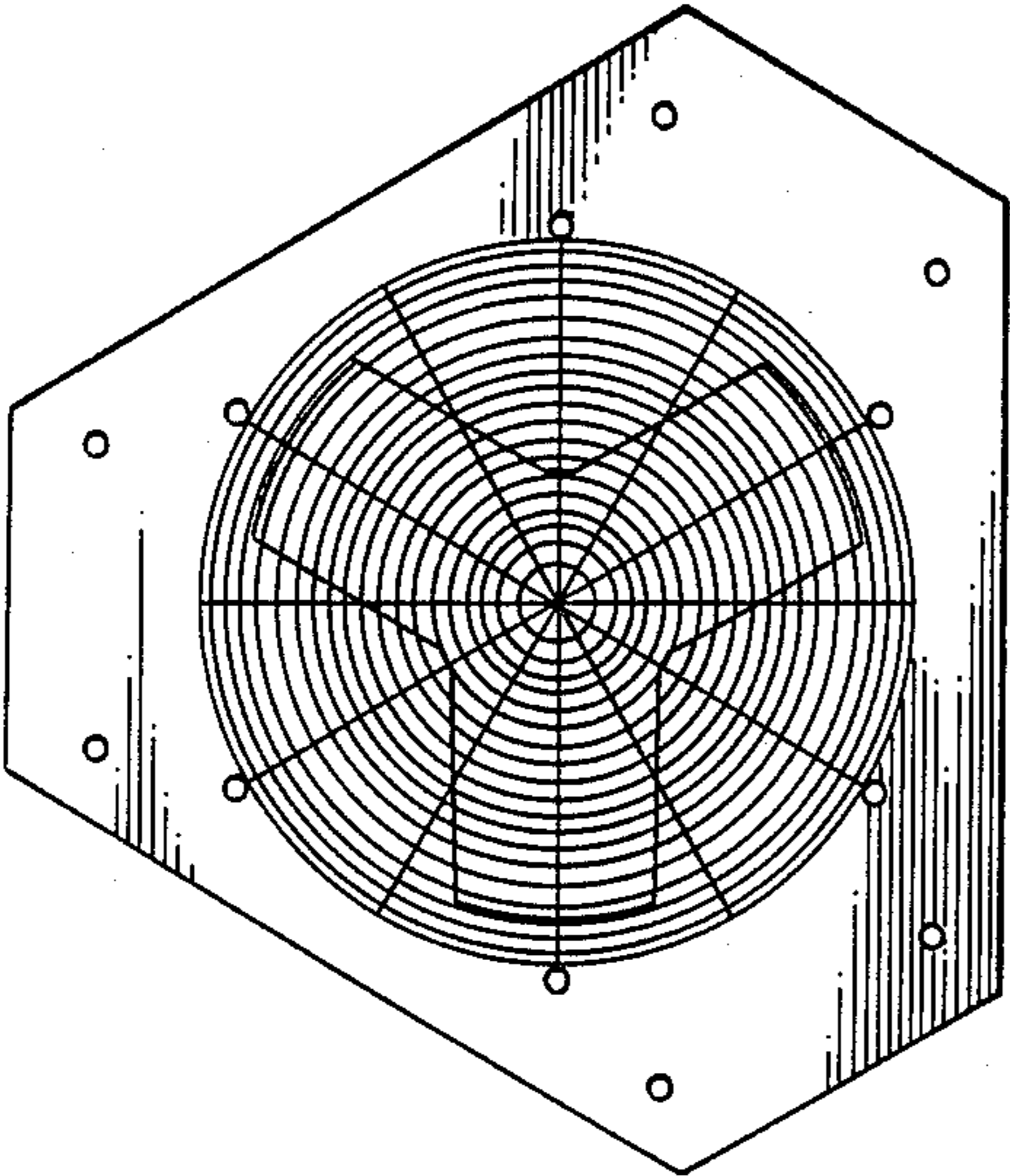


FIG. 3

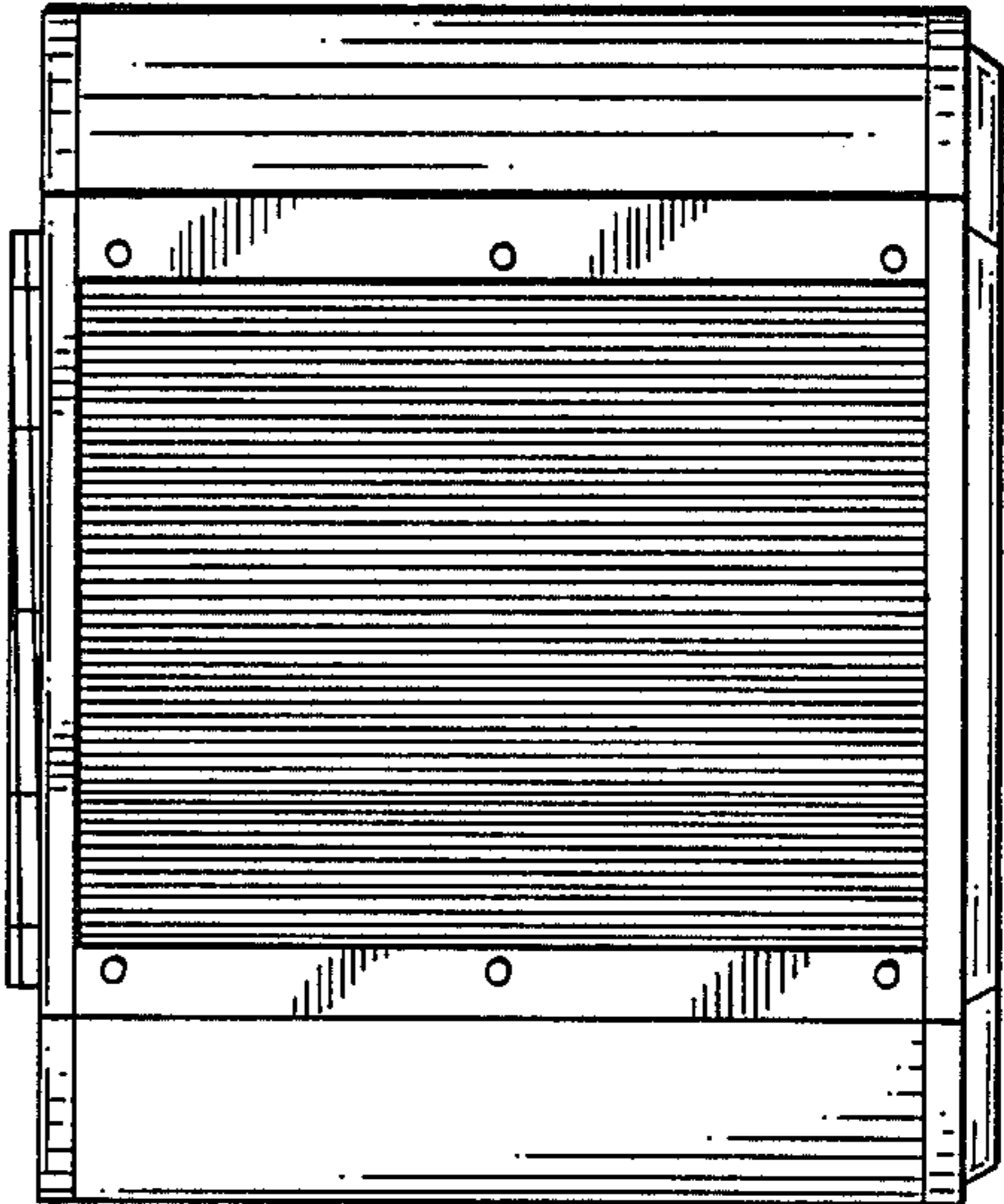


FIG. 2