

[54] **OSCILLATING WAVE LAWN SPRINKLER**

[75] **Inventors:** Melvin H. M. Best, Topanga; James G. Allemann, Orange; Paul G. Mayr, San Dimas, all of Calif.

[73] **Assignee:** Rain Bird Consumer Products Mfg. Corp., Glendora, Calif.

[**] **Term:** 14 Years

[21] **Appl. No.:** 64,925

[22] **Filed:** Jun. 22, 1987

[52] **U.S. Cl. D23/216**

[58] **Field of Search D23/213, 214, 219, 221; 239/239, 237**

[56] **References Cited**

U.S. PATENT DOCUMENTS

2,597,366	5/1952	Nordenstam	239/239
2,914,255	11/1959	Jepson	239/242
2,921,474	1/1960	Ballard	239/237
2,934,973	5/1960	Smith	239/237
2,942,789	6/1960	Smith	239/239
2,952,413	9/1960	Jepson	239/237
3,578,248	5/1971	Congdon et al.	239/242
3,630,450	12/1971	Stephany et al.	239/242
3,630,451	12/1971	Farmer	239/242
3,767,118	10/1973	Oberto et al.	239/242
3,788,551	1/1974	Standal	239/242
3,829,018	8/1974	Oberto	239/242
3,915,383	10/1975	King	239/242
4,069,976	1/1978	Chauvigne	239/242
4,140,278	2/1979	Troup	239/242
4,220,284	9/1980	Beiswenger et al.	239/242

OTHER PUBLICATIONS

Naan Lawn and Garden Catalogue 1988, p. 9, 101-De-luxe, 104-Standard, 107 Basic Style, top of page.
 Hardware Age, Types of Sprinklers 4D, 10/17/85, p. 103, Oscillators, top right side of page.
 Allen Manufacturing Co.-Allienco Watering Equip-ment Catalogue, May 1959, pp. 3 + 4, Green Keeper Oscillator and Fairway Oscillator, top of each page.
 Gilmour Lawn + Garden 1986 Catalogue, ©1985, p. 6, 7900-D and 7500-D Perfect Cover Oscillating Sprin-klers, middle + bottom of page.
 Nelson Lawn + Garden 1986 Catalogue, pp. 2 + 3, 1015, 915, 1035, 1050, N-063, N-068A, N-055A Oscil-lating Sprinklers.

Primary Examiner—James M. Gandy
Assistant Examiner—Lisa Lichtenstein
Attorney, Agent, or Firm—Kelly, Bauersfeld & Lowry

[57] **CLAIM**

The ornamental design for an oscillating wave lawn sprinkler, as shown.

DESCRIPTION

FIG. 1 is a perspective view of an oscillating wave lawn sprinkler embodying our new design, and as seen from the top and front;
 FIG. 2 is an enlarged side elevational view thereof;
 FIG. 3 is an enlarged top plan view thereof;
 FIG. 4 is an enlarged side elevational view thereof as seen from the opposite side of FIG. 2;
 FIG. 5 is an enlarged bottom plan view thereof;
 FIG. 6 is an enlarged rear elevational view thereof; and
 FIG. 7 is an enlarged front elevational view thereof.

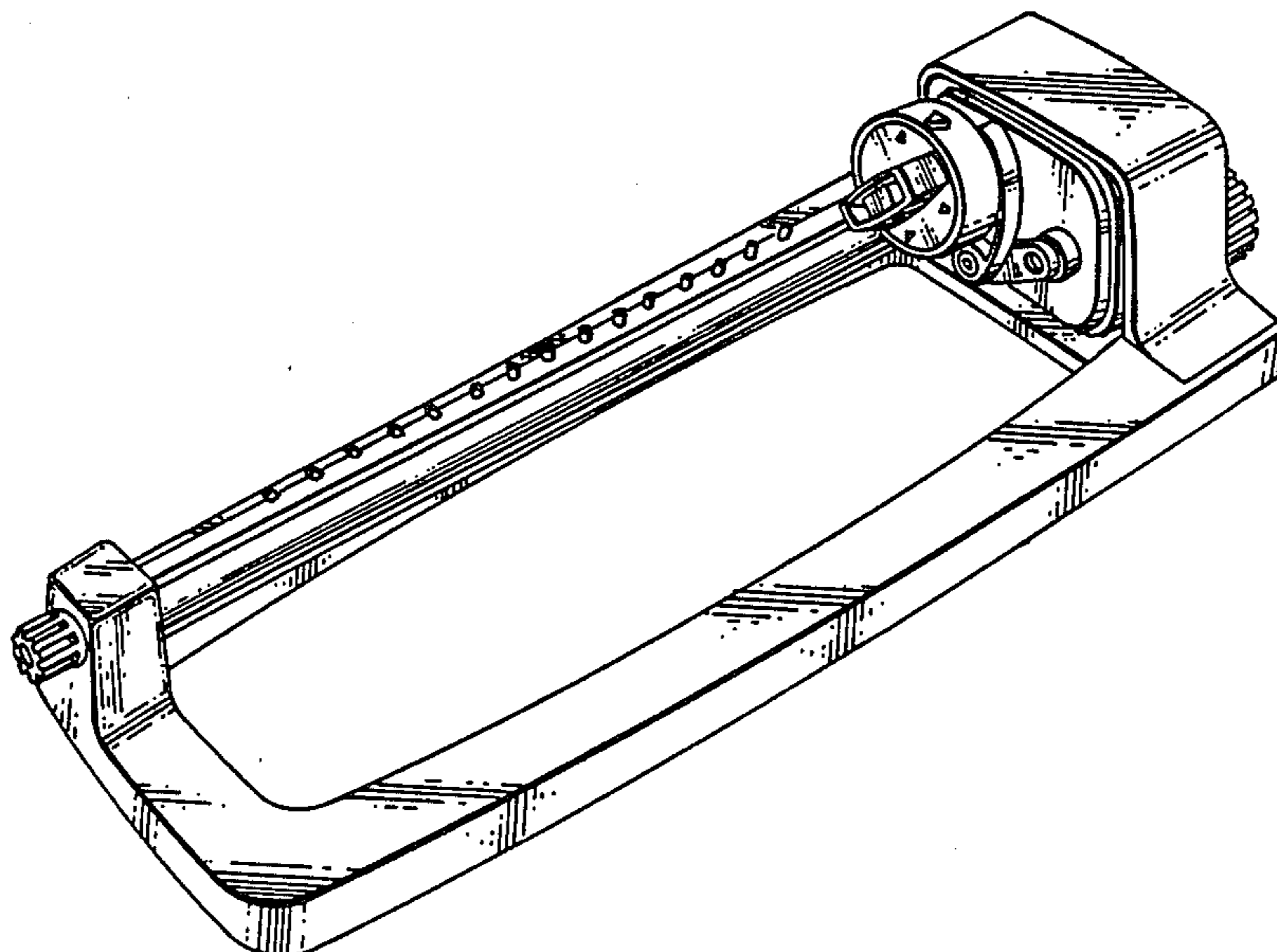


FIG. 1

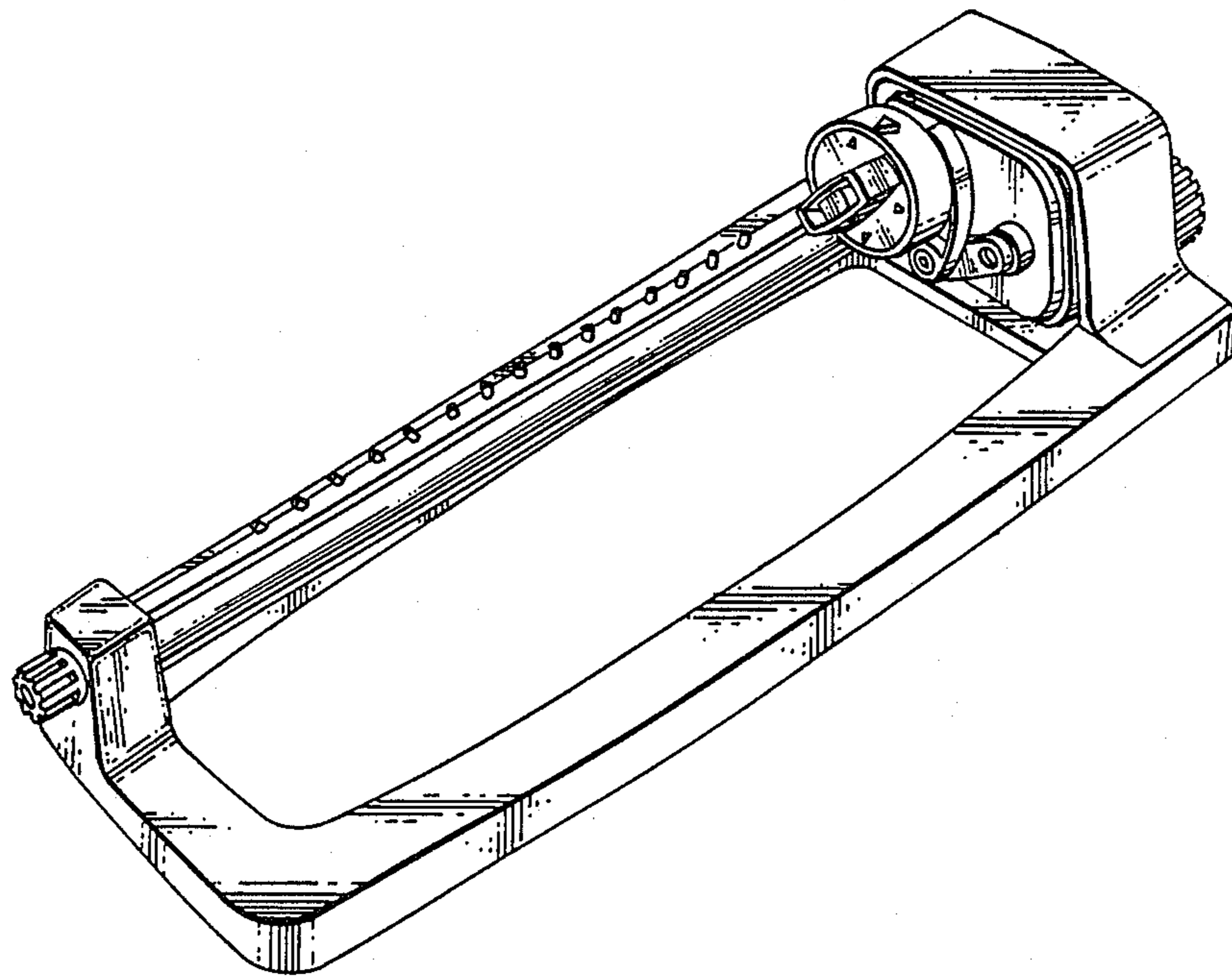
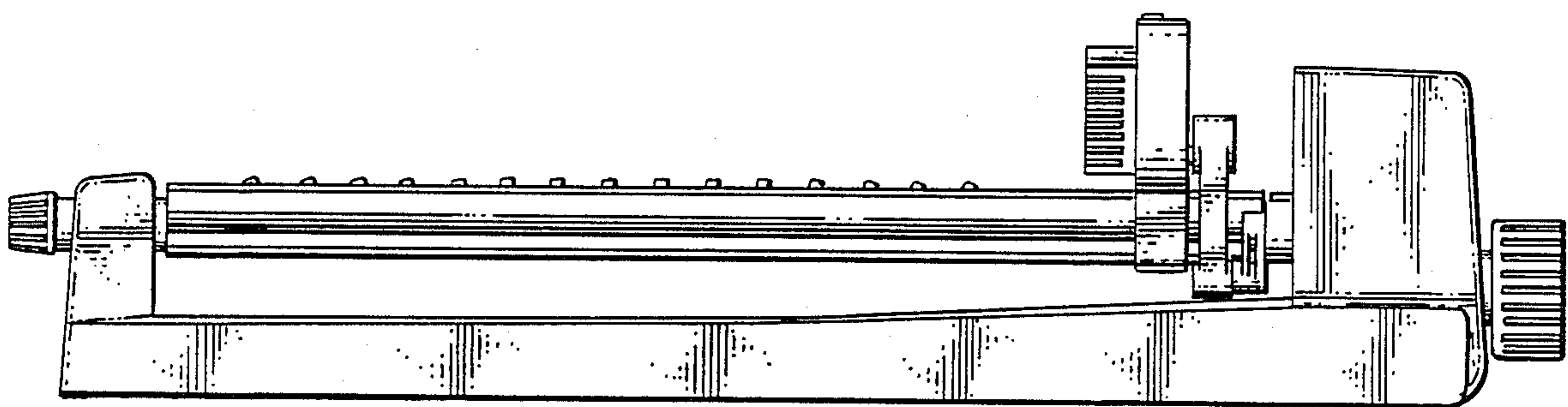


FIG. 2



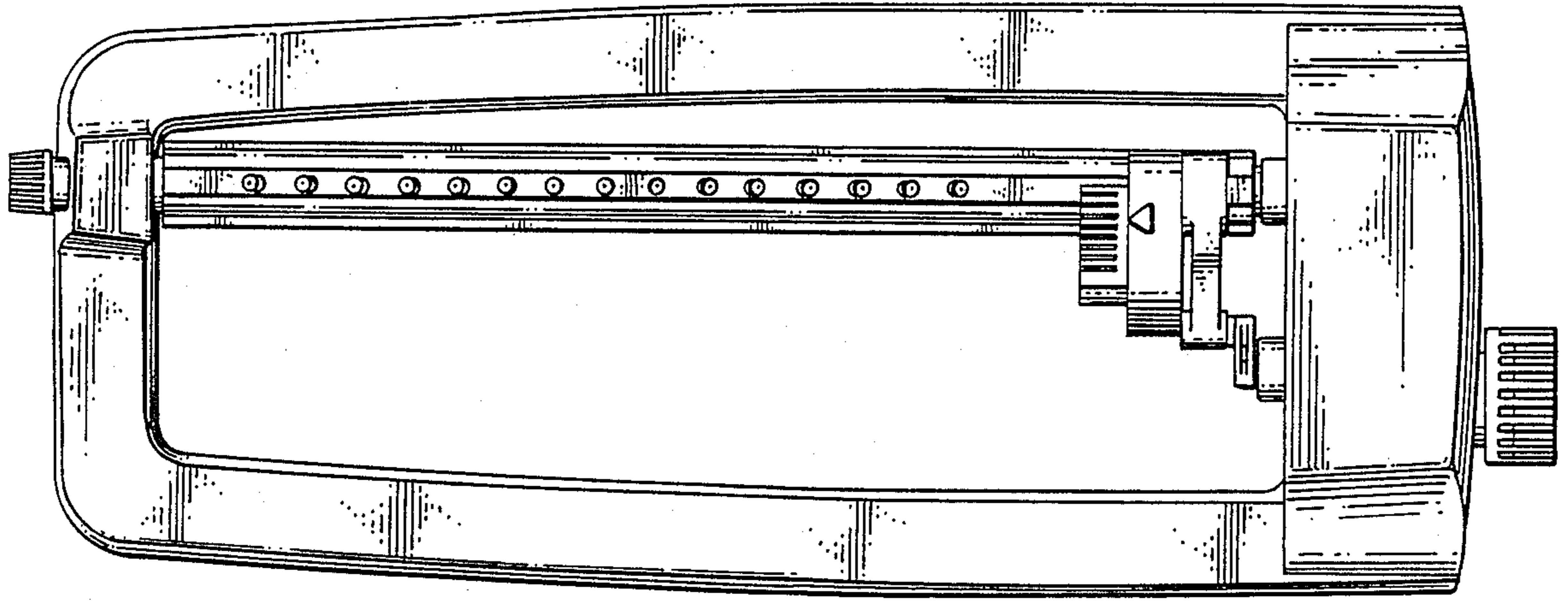
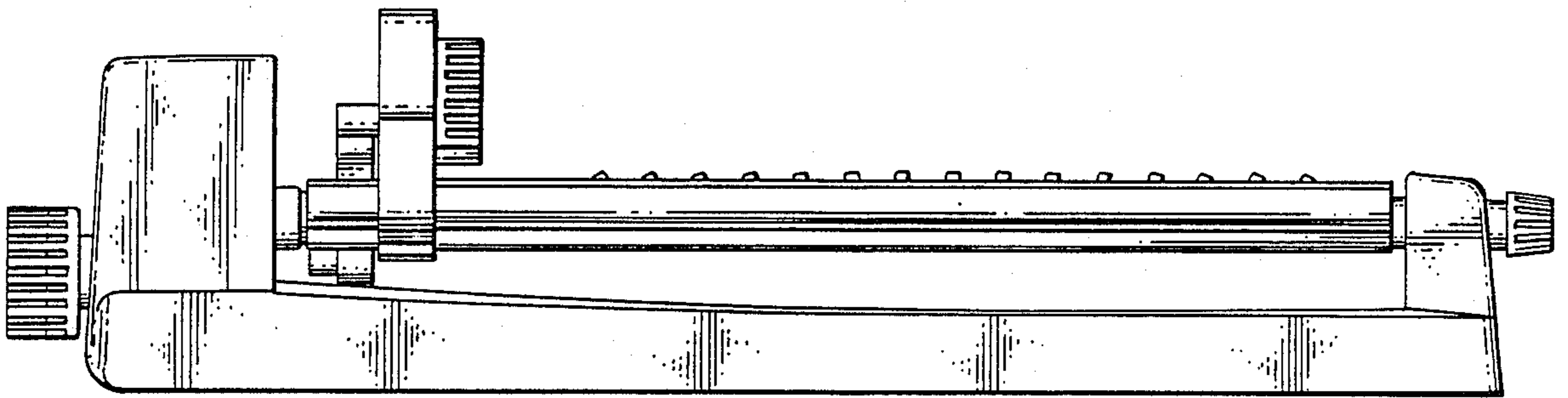


FIG. 3

FIG. 4



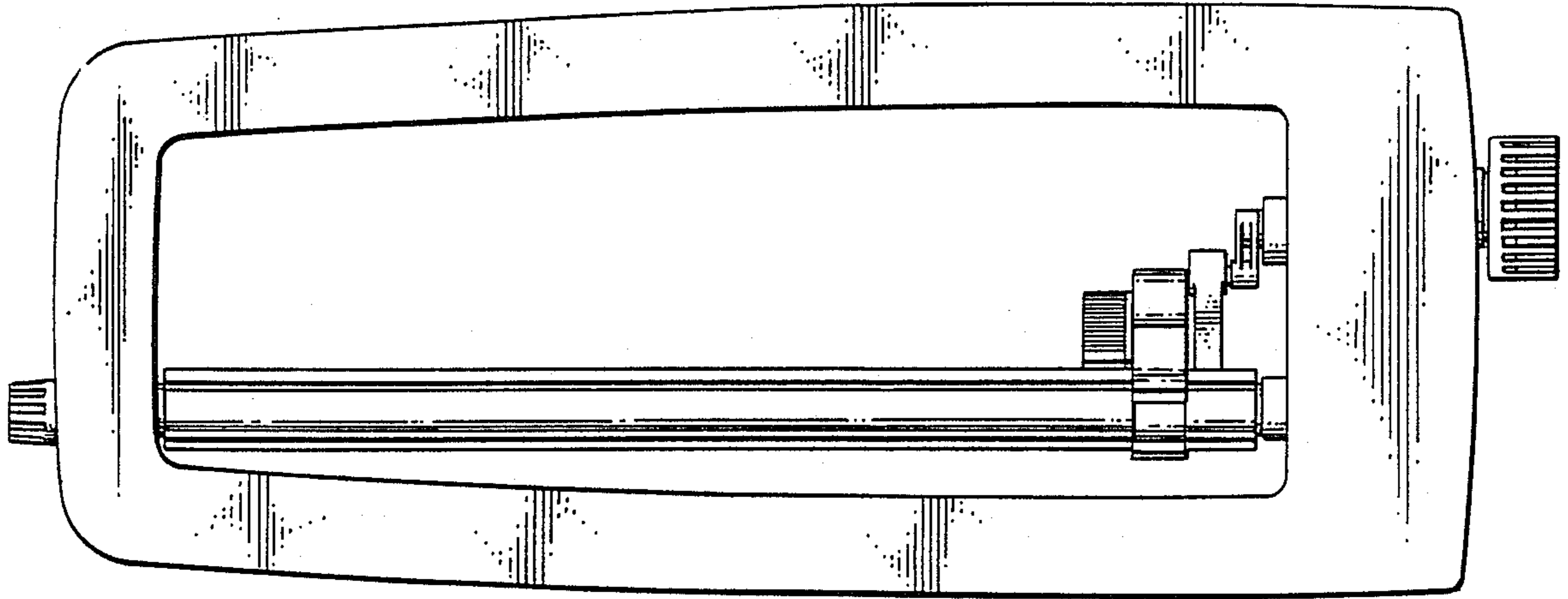


FIG. 5

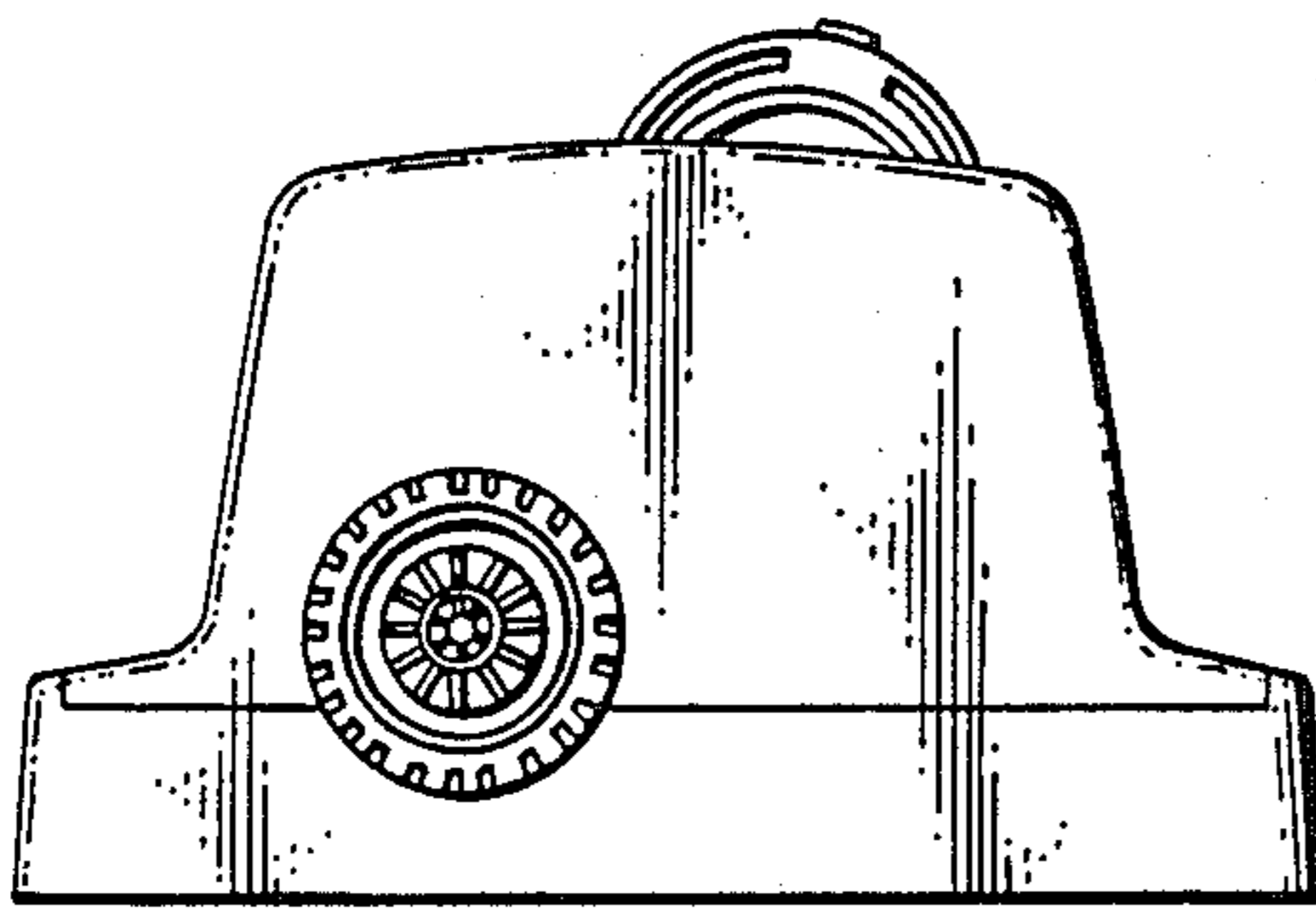


FIG. 6

FIG. 7

