

# United States Patent [19]

Hiraishi et al.

[11] Patent Number: **Des. 303,281**

[45] Date of Patent: **\*\* Sep. 5, 1989**

[54] **FISHING REEL**

[75] Inventors: **Etsuo Hiraishi; Teruhisa Numata,**  
both of Tokyo, Japan

[73] Assignee: **Ryobi Ltd., Hiroshima, Japan**

[\*\*] Term: **14 Years**

[21] Appl. No.: **59,677**

[22] Filed: **Jun. 5, 1987**

[30] **Foreign Application Priority Data**

Dec. 8, 1986 [JP] Japan ..... 61-48804

[52] U.S. Cl. .... **D22/141**

[58] Field of Search ..... **D22/141; 242/84.1 R,**  
**242/84.2 R**

[56] **References Cited**

**U.S. PATENT DOCUMENTS**

D. 253,838 1/1980 Sakamoto et al. .... D22/141  
D. 257,170 9/1980 Sakamoto et al. .... D22/141  
D. 260,804 9/1981 Sakamoto et al. .... D22/141  
4,369,930 1/1983 Noda ..... 242/84.1 J

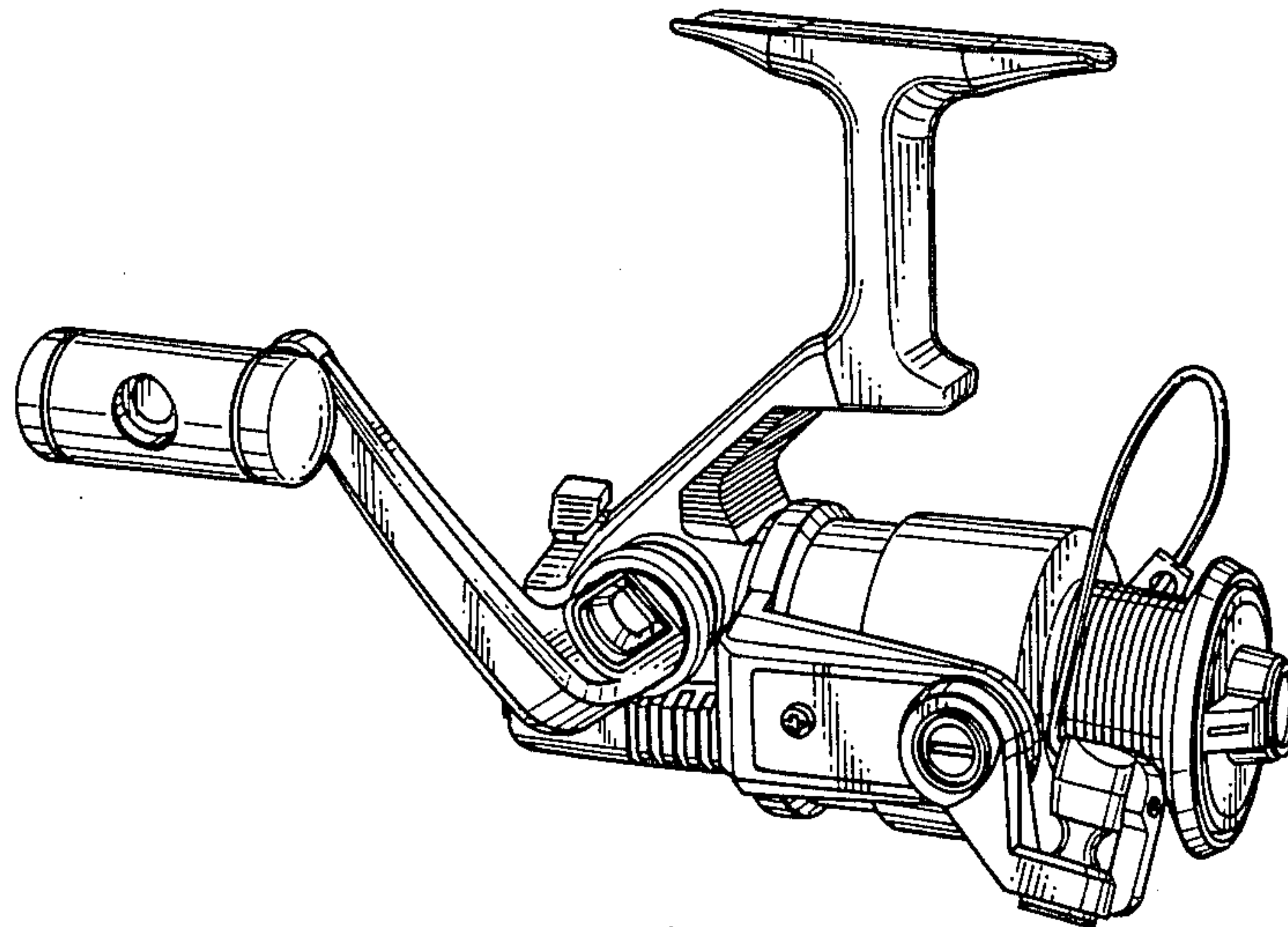
*Primary Examiner*—A. Hugo Word  
*Attorney, Agent, or Firm*—Sughrue, Mion, Zinn,  
Macpeak, and Seas

[57] **CLAIM**

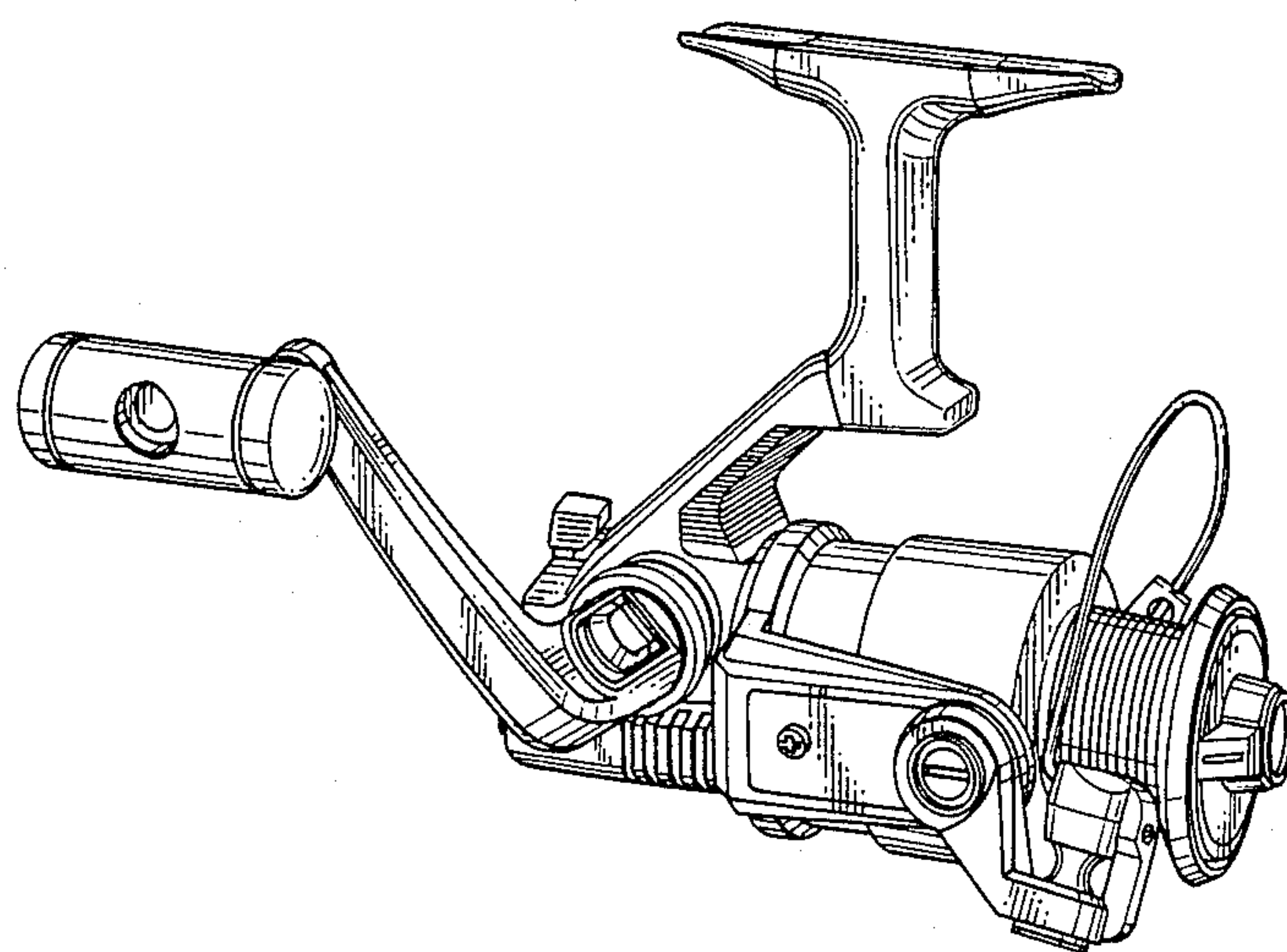
The ornamental design for a fishing reel, as shown.

**DESCRIPTION**

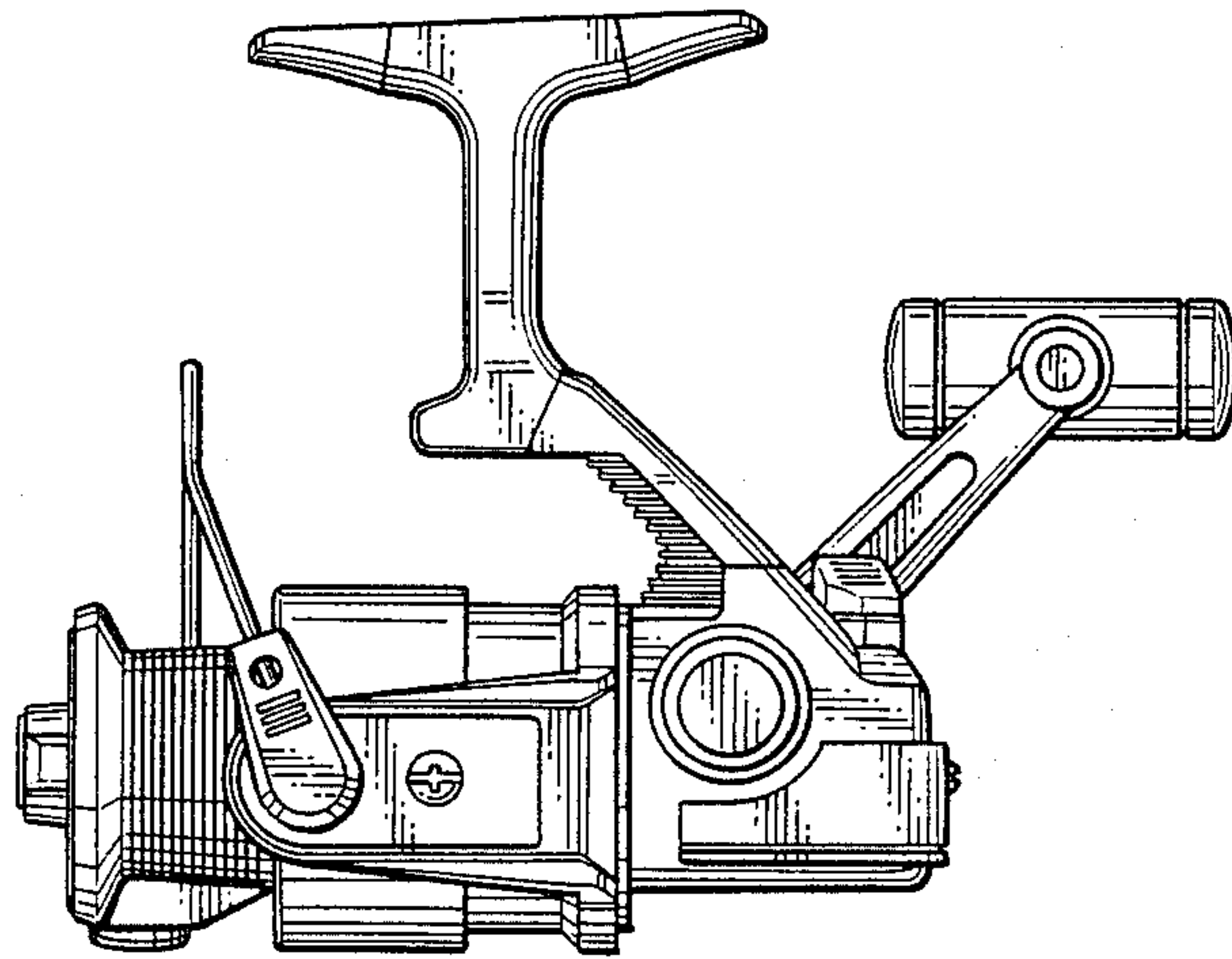
FIG. 1 is a front, top and left side perspective view of a fishing reel showing our new design;  
FIG. 2 is a right side elevational view thereof;  
FIG. 3 is a left side elevational view thereof;  
FIG. 4 is a top plan view thereof;  
FIG. 5 is a bottom plan view thereof;  
FIG. 6 is a front elevational view thereof; and  
FIG. 7 is a rear elevational view thereof.



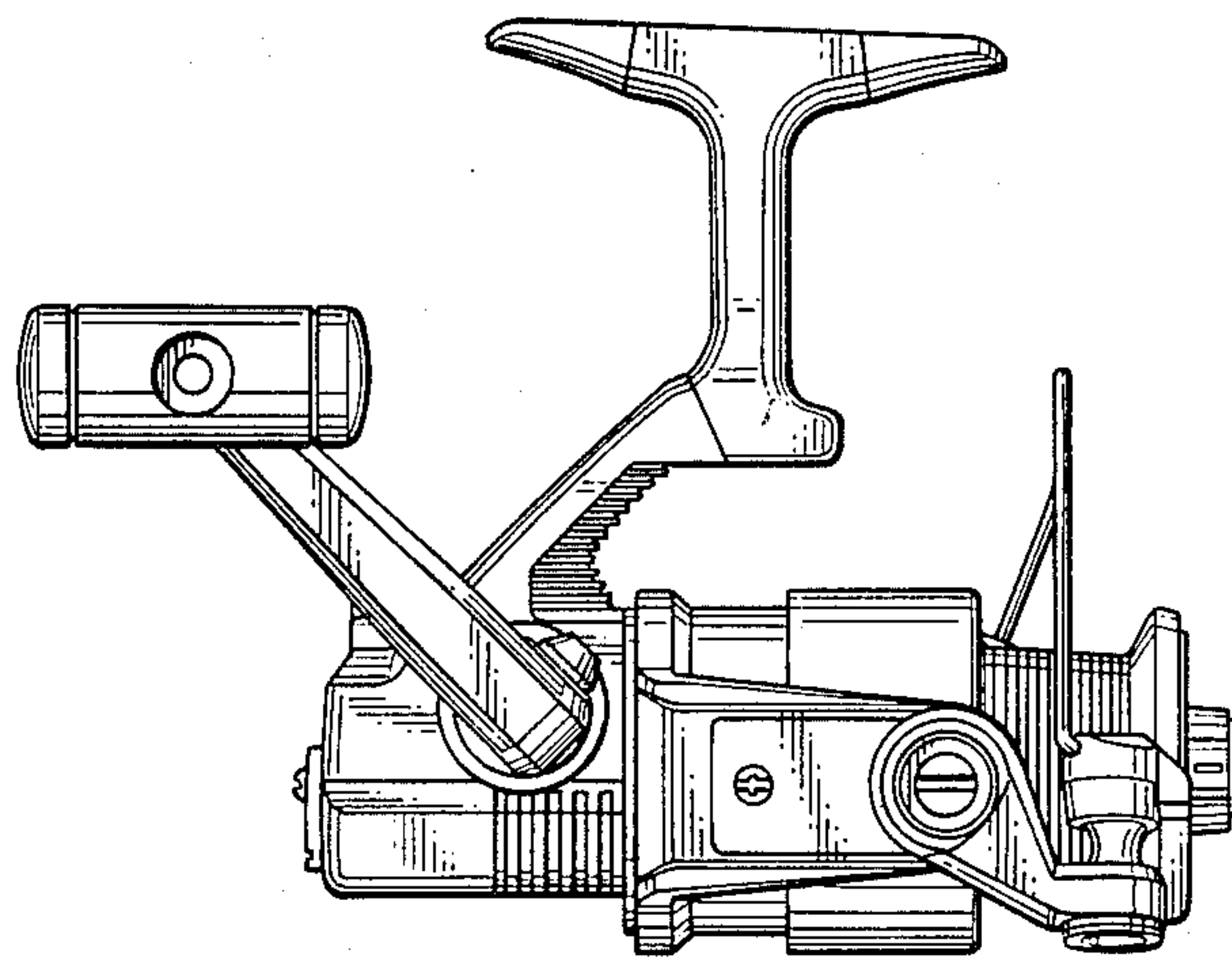
*Fig. 1*



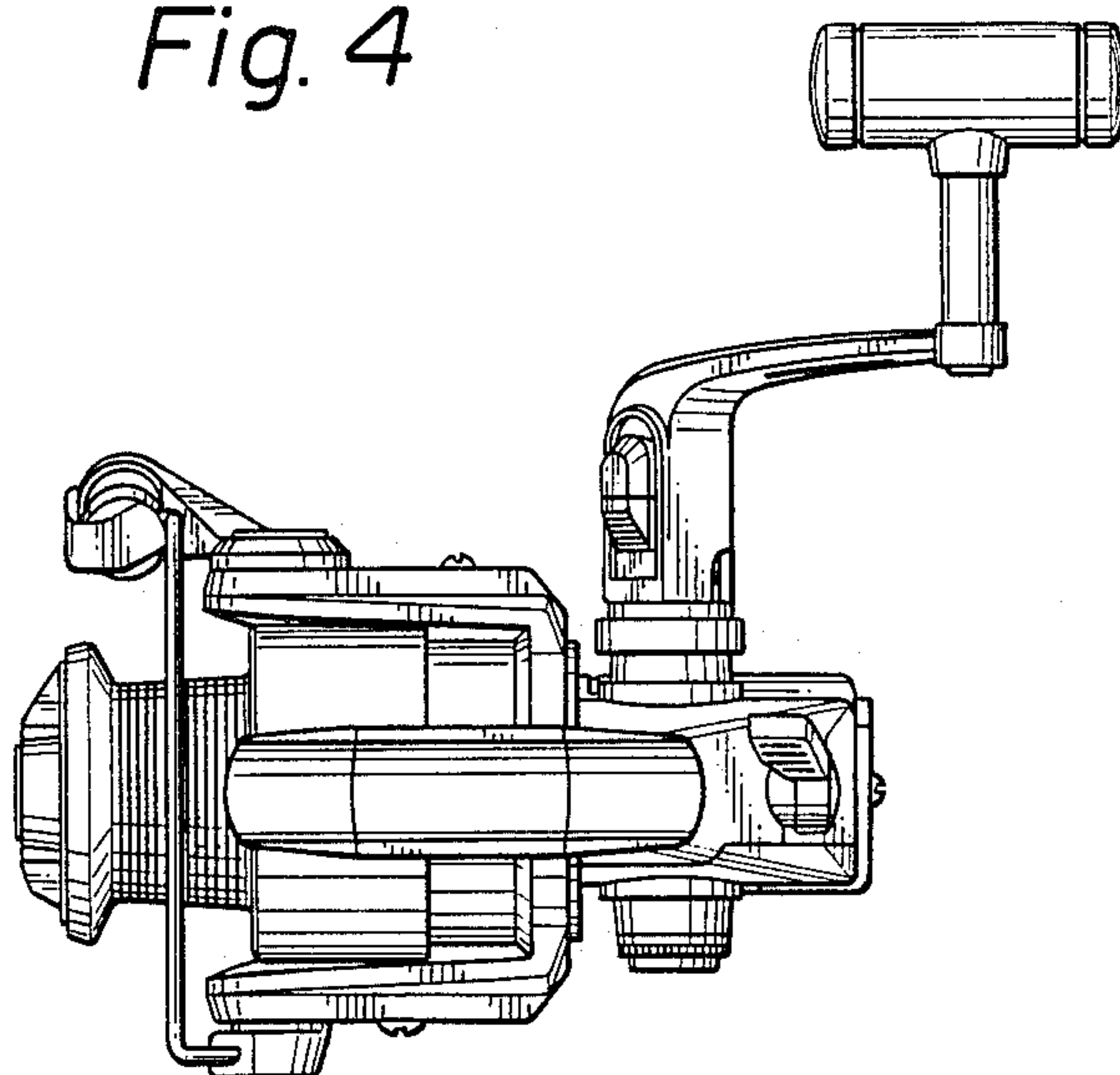
*Fig. 2*



*Fig. 3*



*Fig. 4*



*Fig. 5*

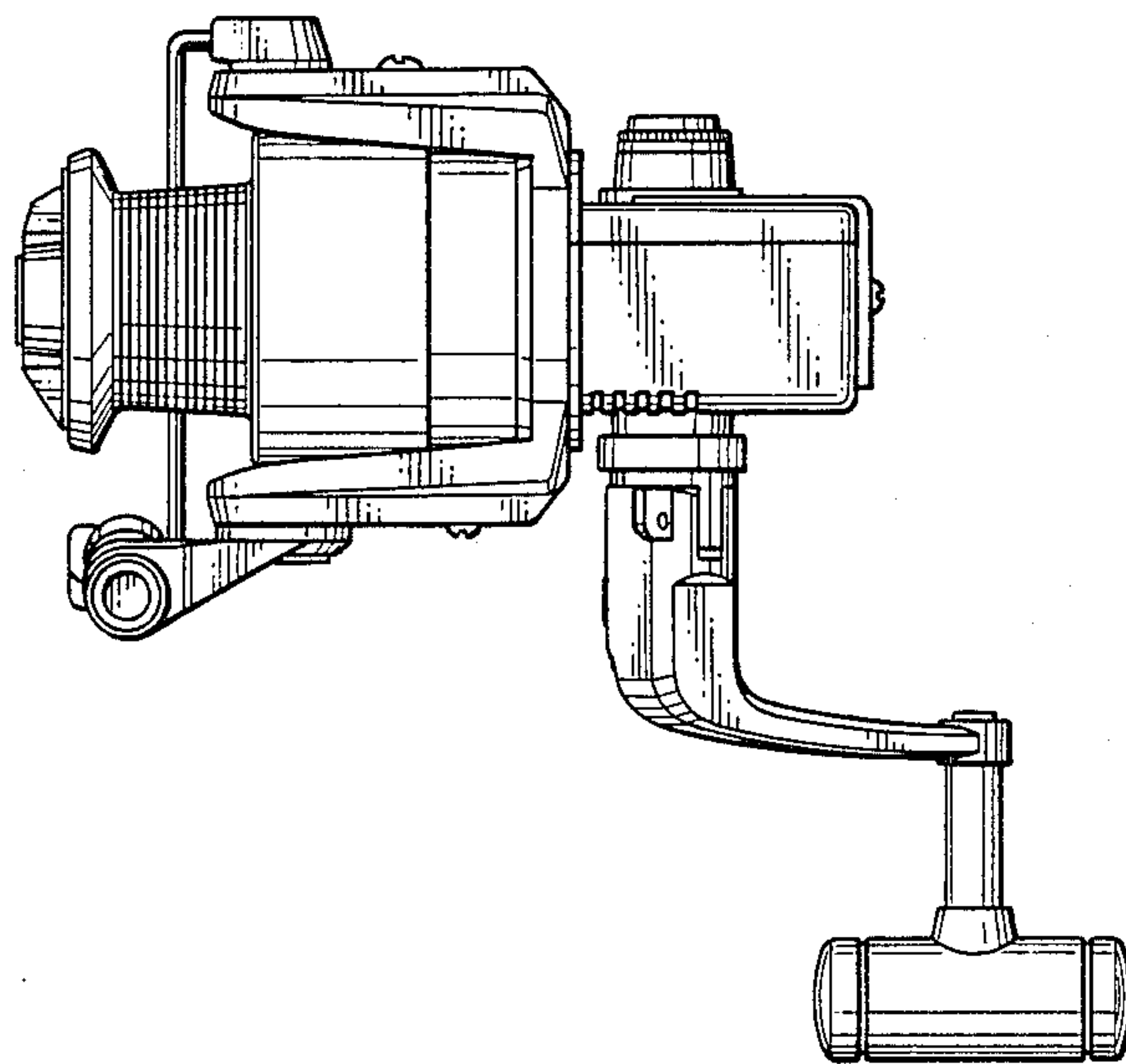


Fig. 6

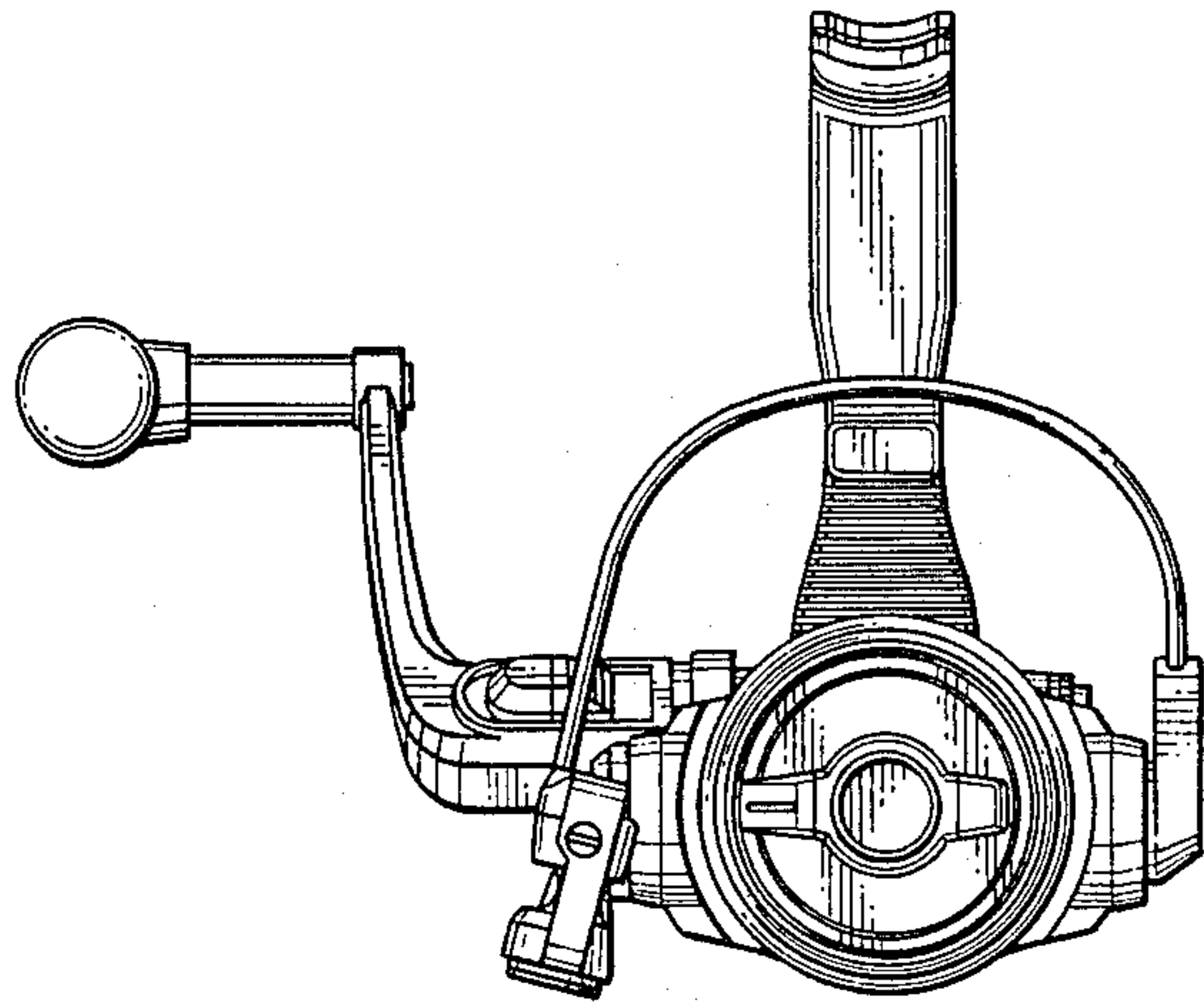


Fig. 7

