

[54] SURFBOARD LEASH STRAP

[57] CLAIM

[76] Inventor: Robert B. Nealy, P.O. Box 3154, San Clemente, Calif. 92672

The ornamental design for a surfboard leash strap, as shown and described.

[**] Term: 14 Years

DESCRIPTION

[21] Appl. No.: 948,289

FIG. 1 is a perspective view of a surfboard leash strap showing my new design; FIG. 2 is an outer side elevational view thereof, showing the strap in fully open condition; FIG. 3 is a top plan view of FIG. 2; FIG. 4 is an inner side elevational view of FIG. 2; FIG. 5 is an enlarged fragmentary outer side elevational view of a second embodiment of the surfboard leash strap showing a rectangular openings in the strap; FIG. 6 is an enlarged fragmentary outer side elevational view of a third embodiment of the surfboard leash strap showing a hexagonal openings in the strap; FIG. 7 is an enlarged fragmentary outer side elevational view of a fourth embodiment of the surfboard leash strap showing a triangular openings in the strap; FIG. 8 is an enlarged fragmentary outer side elevational view of a fifth embodiment of the surfboard leash strap showing a diamond configuration openings in the strap; FIG. 9 is an enlarged fragmentary outer side elevational view of a sixth embodiment of the surfboard leash strap showing a star configuration openings in the strap. The sole difference among the first, second (FIG. 5), third (FIG. 6), fourth (FIG. 7), fifth (FIG. 8) and sixth (FIG. 9) embodiments being in the different configuration of the openings in the straps.

[22] Filed: Dec. 31, 1986

[52] U.S. Cl. D21/238; D21/228

[58] Field of Search D21/236, 237, 238, 228; 441/75, 74; 410/101; 24/104

[56] References Cited

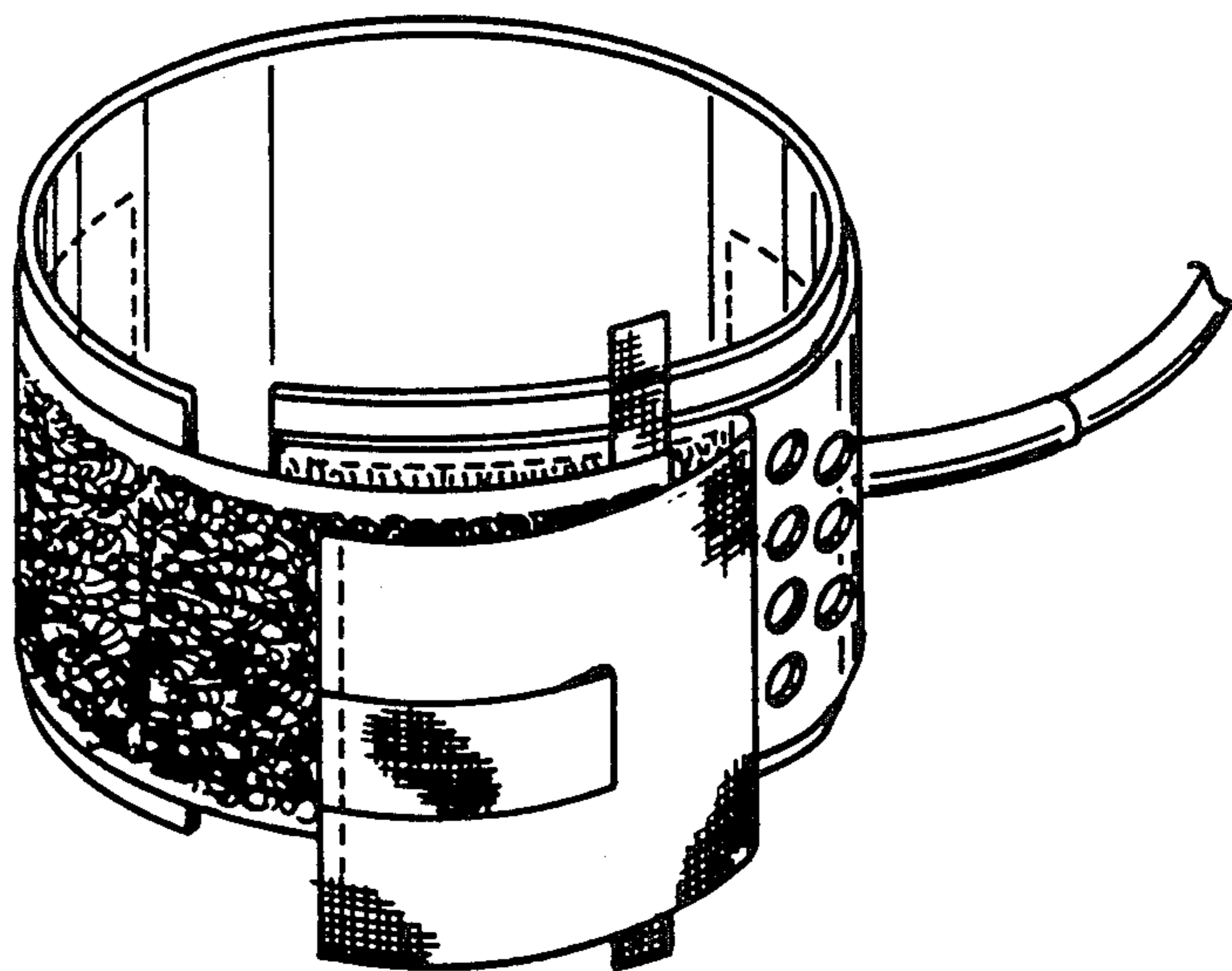
U.S. PATENT DOCUMENTS

3,931,656	1/1976	Thomson	441/75
4,041,562	8/1977	Nealy	441/75
4,267,615	5/1981	Nealy	441/75
4,610,634	9/1986	Kimura	441/75

OTHER PUBLICATIONS

Surfing; May 1980, vol. 16, No. 5, "Power Code ®" from Control Products Co. advertisement.

Primary Examiner—Wallace R. Burke
Assistant Examiner—Kay H. Chin



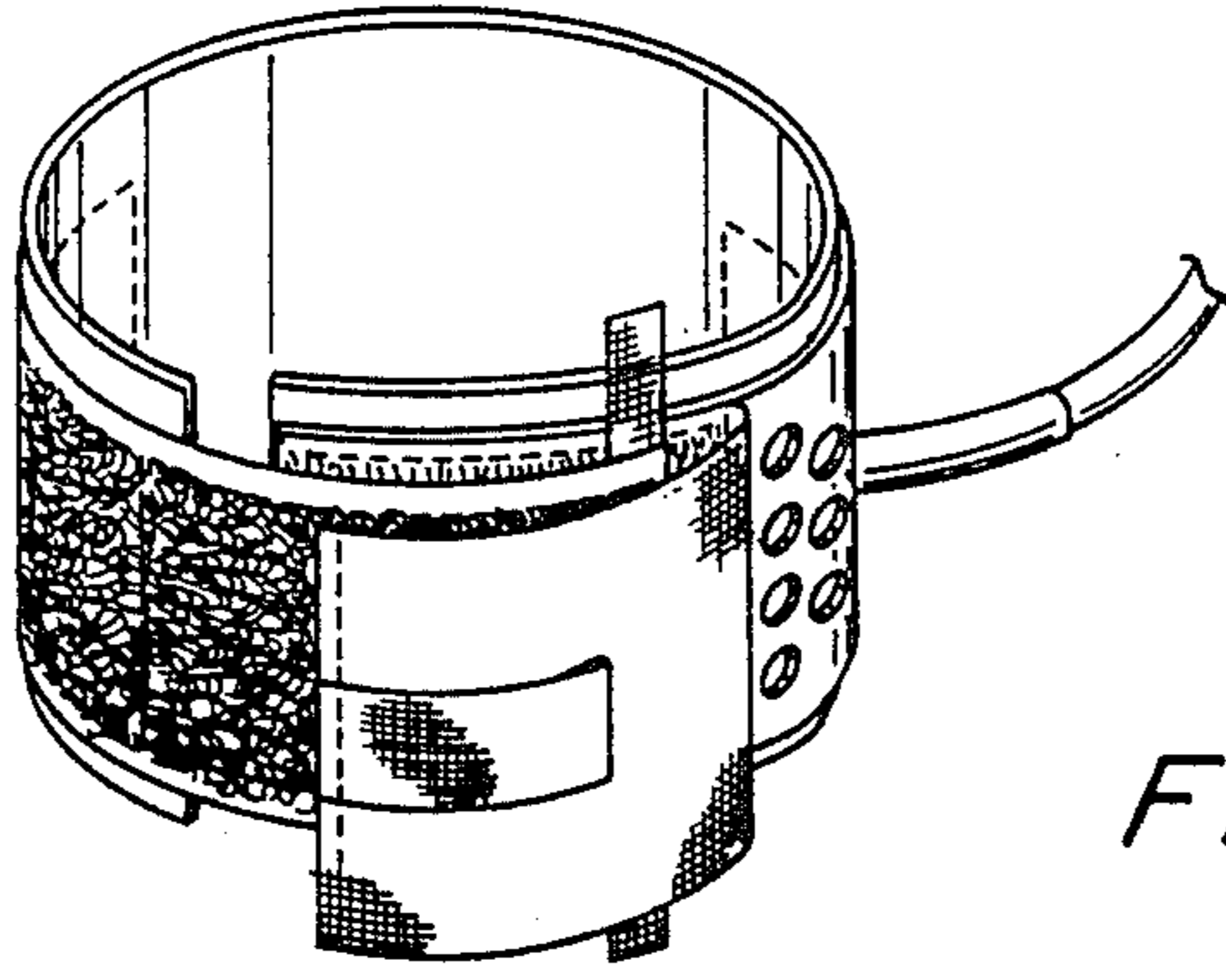


FIG. 1

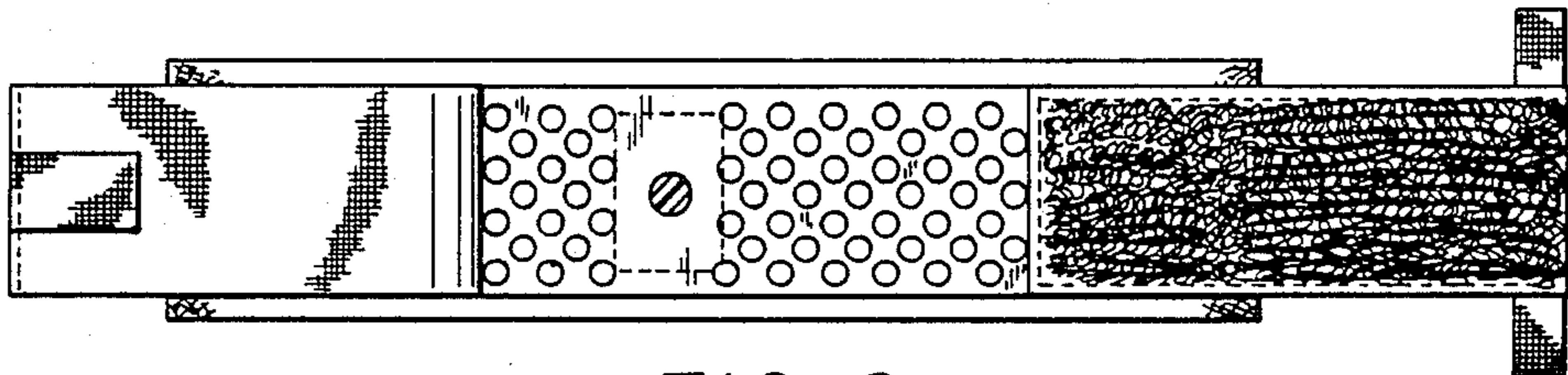


FIG. 2

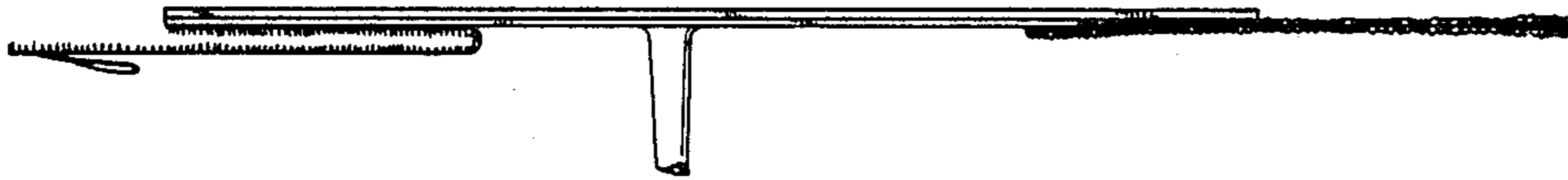


FIG. 3

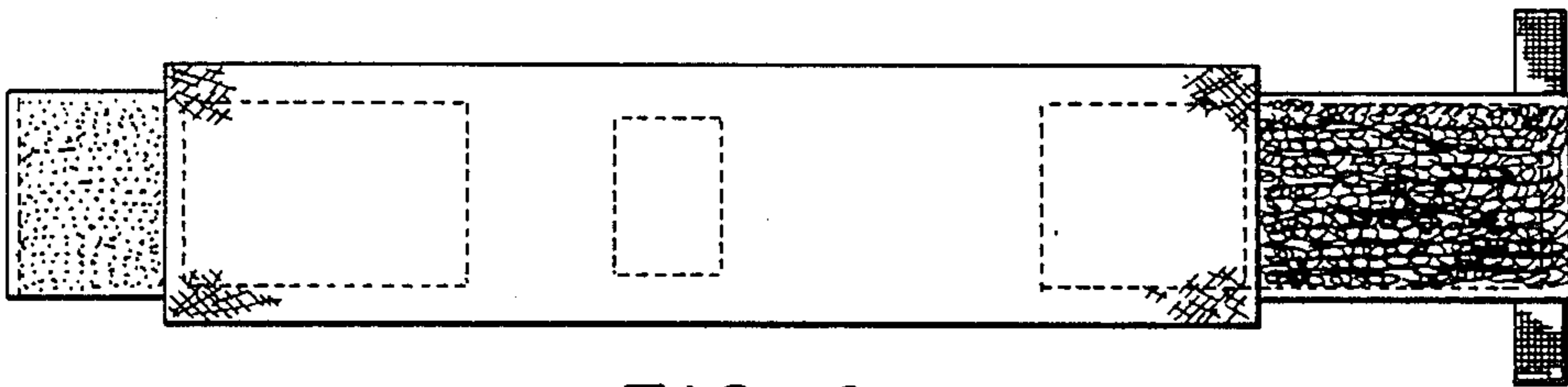


FIG. 4

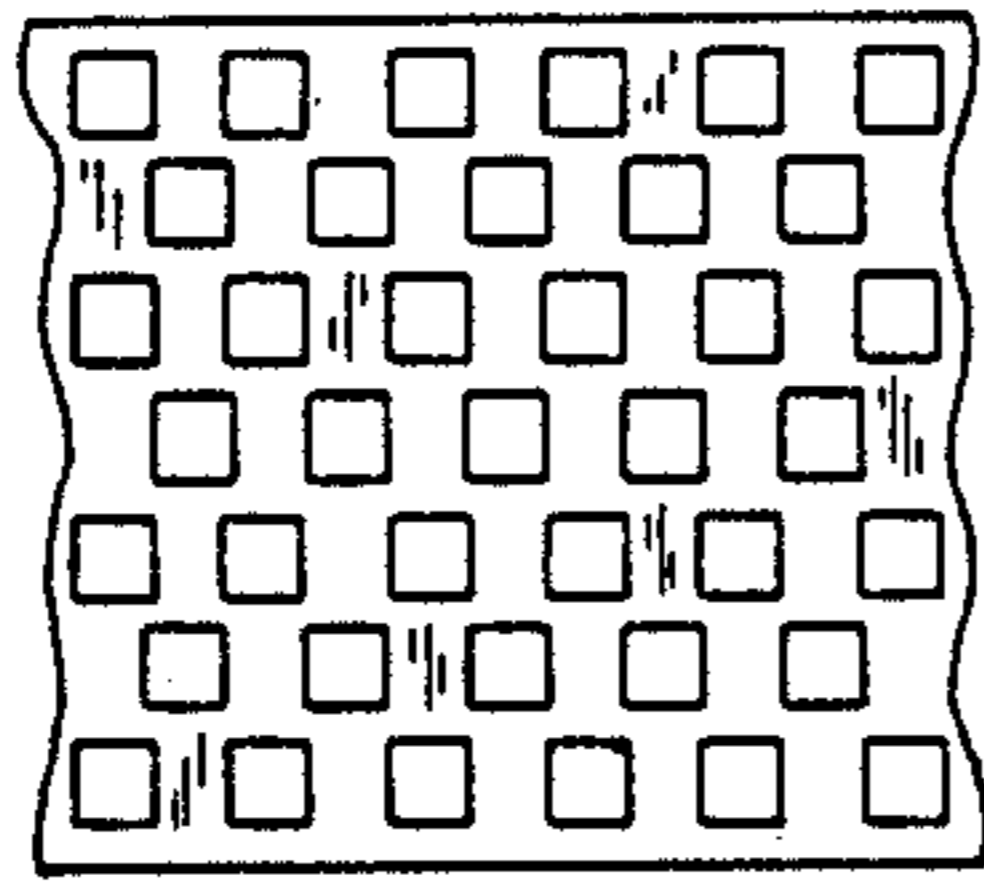


FIG. 5

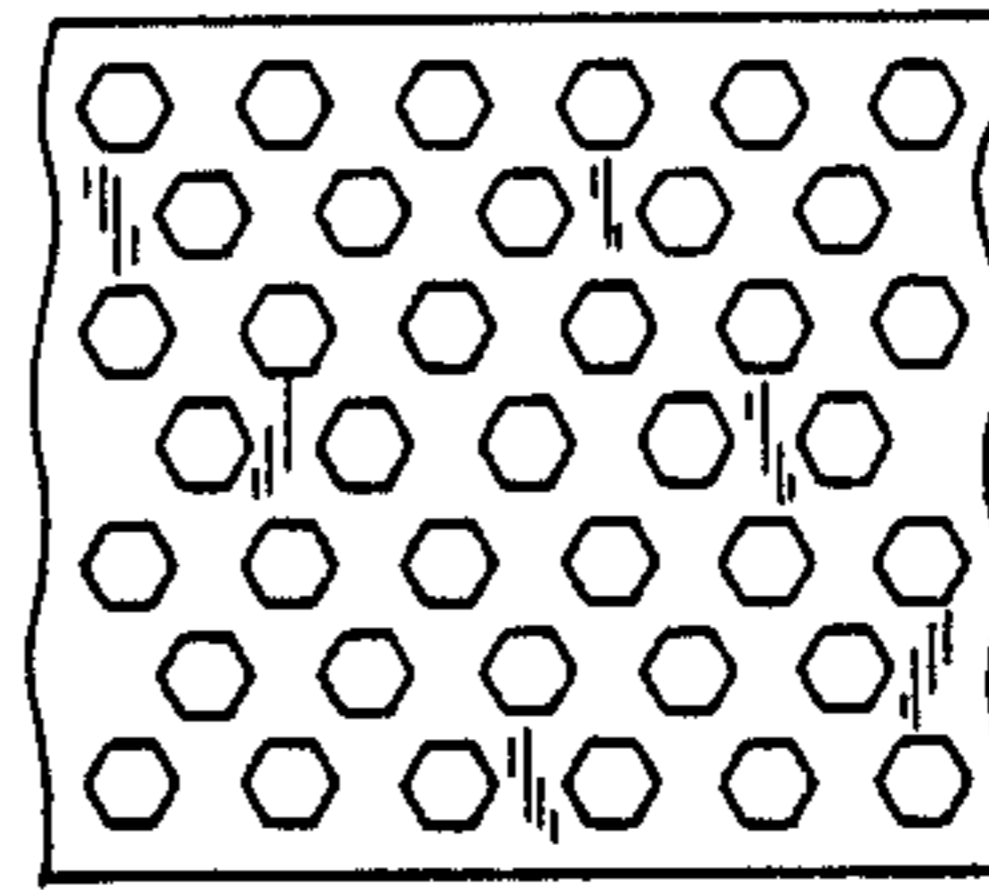


FIG. 6

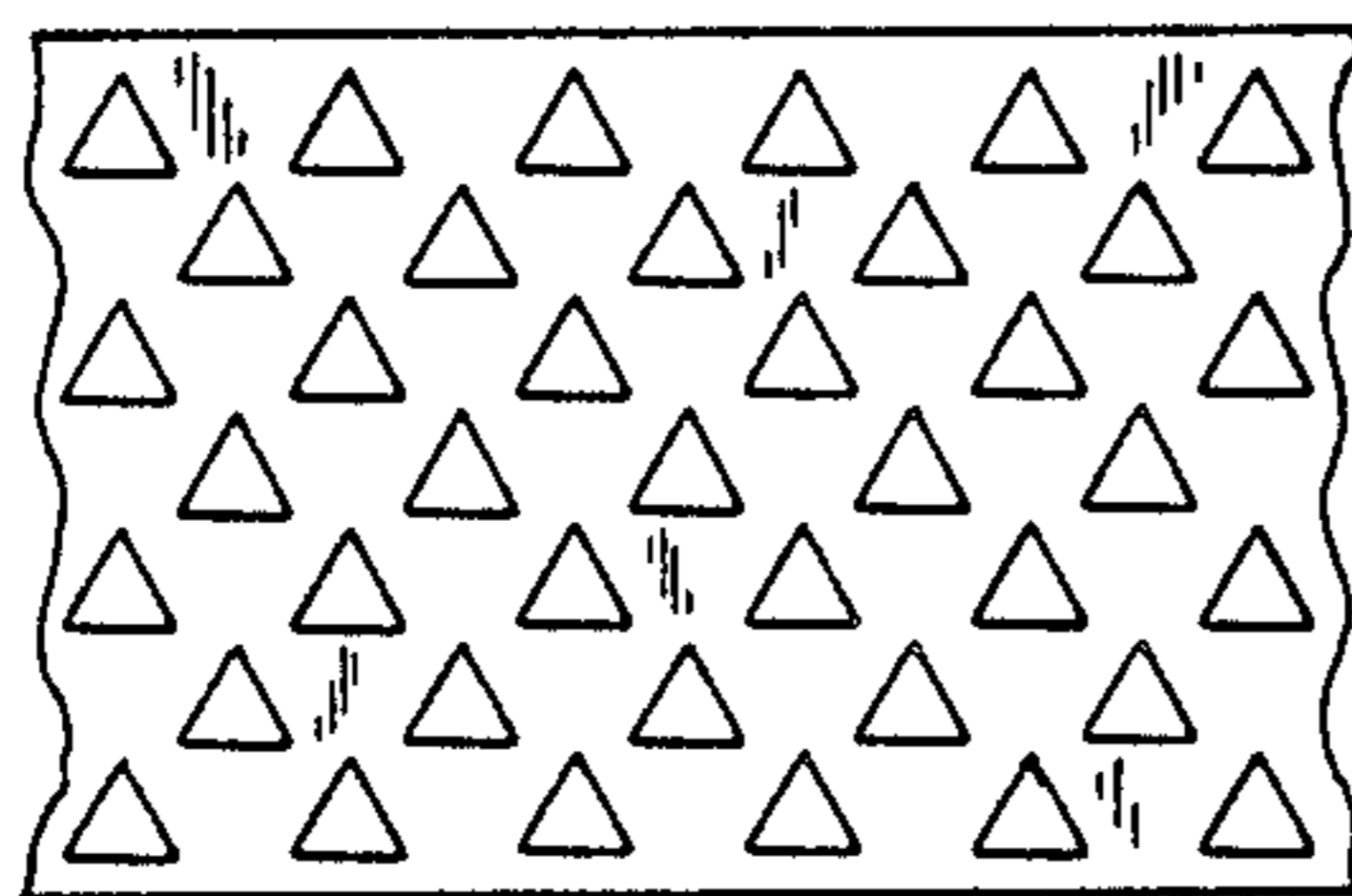


FIG. 7

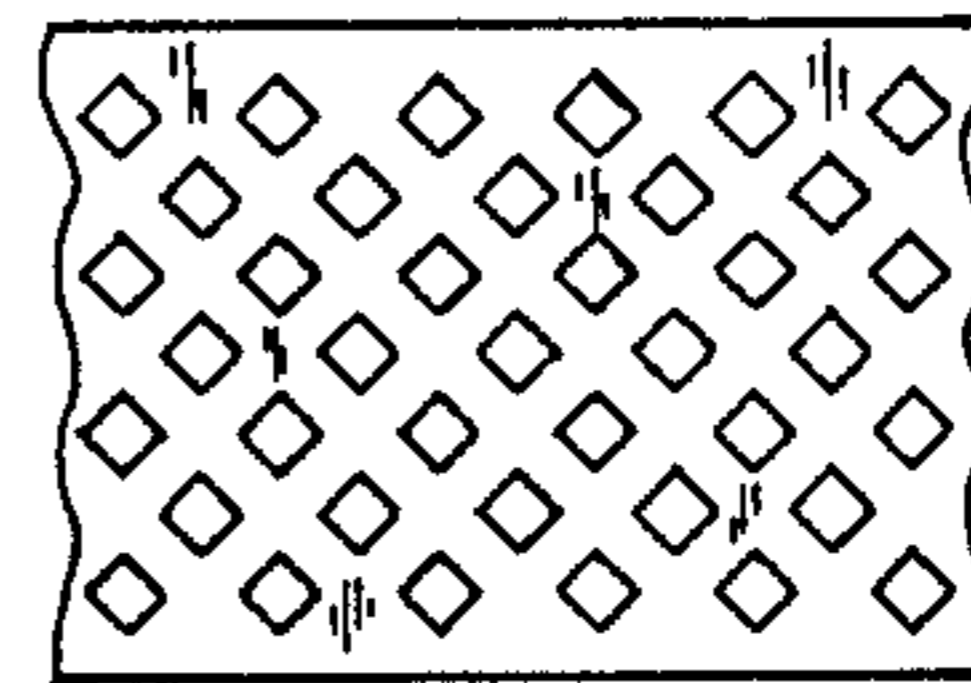


FIG. 8

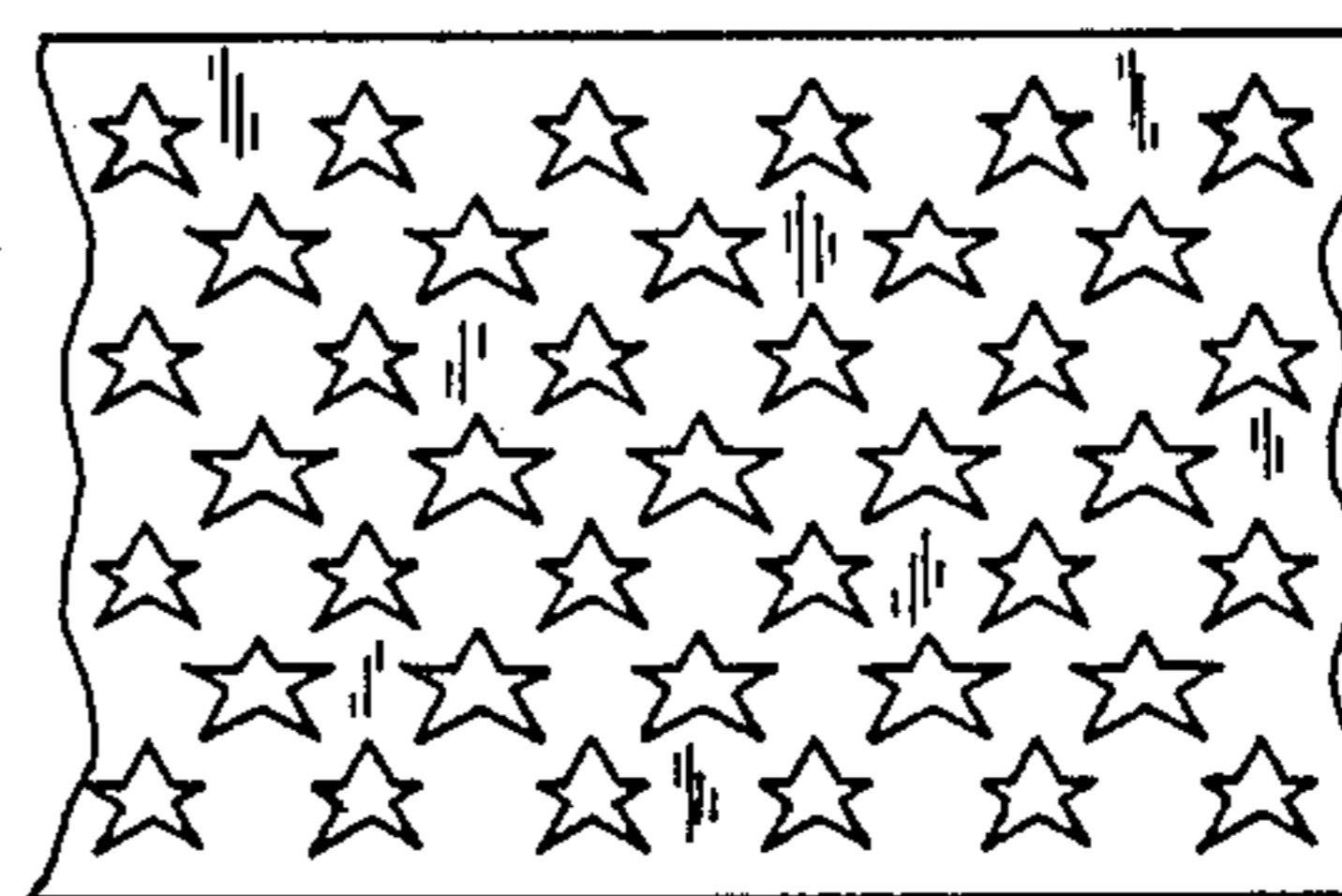


FIG. 9