

[54] **GAMES TABLE**

[76] **Inventor: David A. Hall, Greenborough House,
Twinney, Upchurch, Sittingbourne,
Kent ME9 7DA, England**

[**] **Term: 14 Years**

[21] **Appl. No.: 838,032**

[22] **Filed: Feb. 27, 1986**

[30] **Foreign Application Priority Data**

Aug. 27, 1985 [GB] United Kingdom 1028831

[52] **U.S. Cl. D21/232**

[58] **Field of Search D21/232, 14; 273/2,
273/3 R, 3 C**

[56] **References Cited**

U.S. PATENT DOCUMENTS

D. 83,102 1/1931 Goddard D21/232

D. 184,329 2/1959 Anderson et al. D21/232
D. 214,674 7/1969 Schafer D21/232

FOREIGN PATENT DOCUMENTS

1529040 10/1978 United Kingdom 273/3 R

*Primary Examiner—Melvin B. Feifer
Attorney, Agent, or Firm—Nixon & Vanderhye*

[57] **CLAIM**

The ornamental design for a games table, as shown and described.

DESCRIPTION

FIG. 1 is a perspective view of a games table showing my new design;
FIG. 2 is an end view of the games table of FIG. 1;
FIG. 3 is side view of the games table of FIG. 1;
FIG. 4 is a side view of another embodiment of the games table of the invention with "net" pockets;
FIG. 5 is a side view of the games table of FIG. 4.

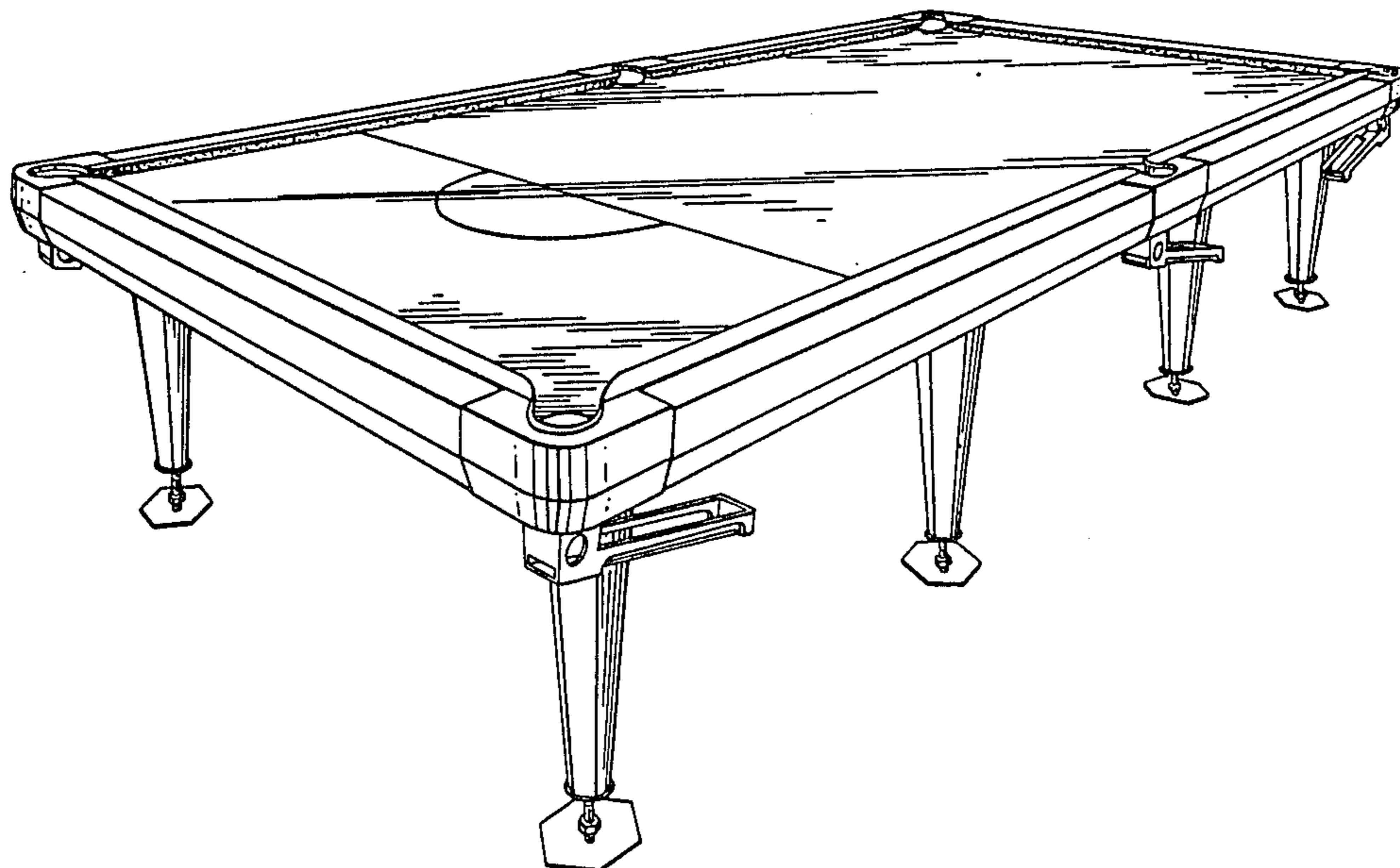
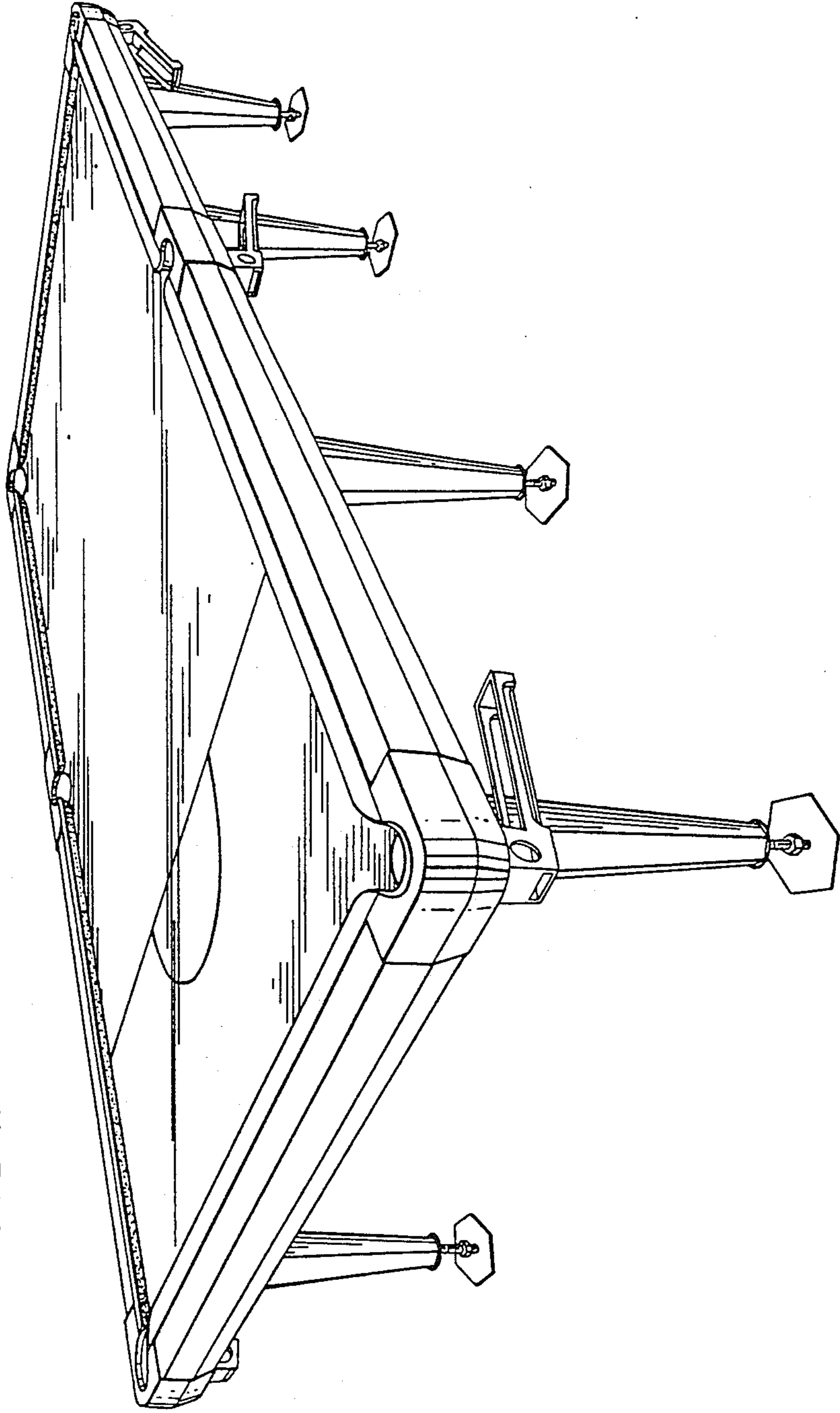


FIG. 1.



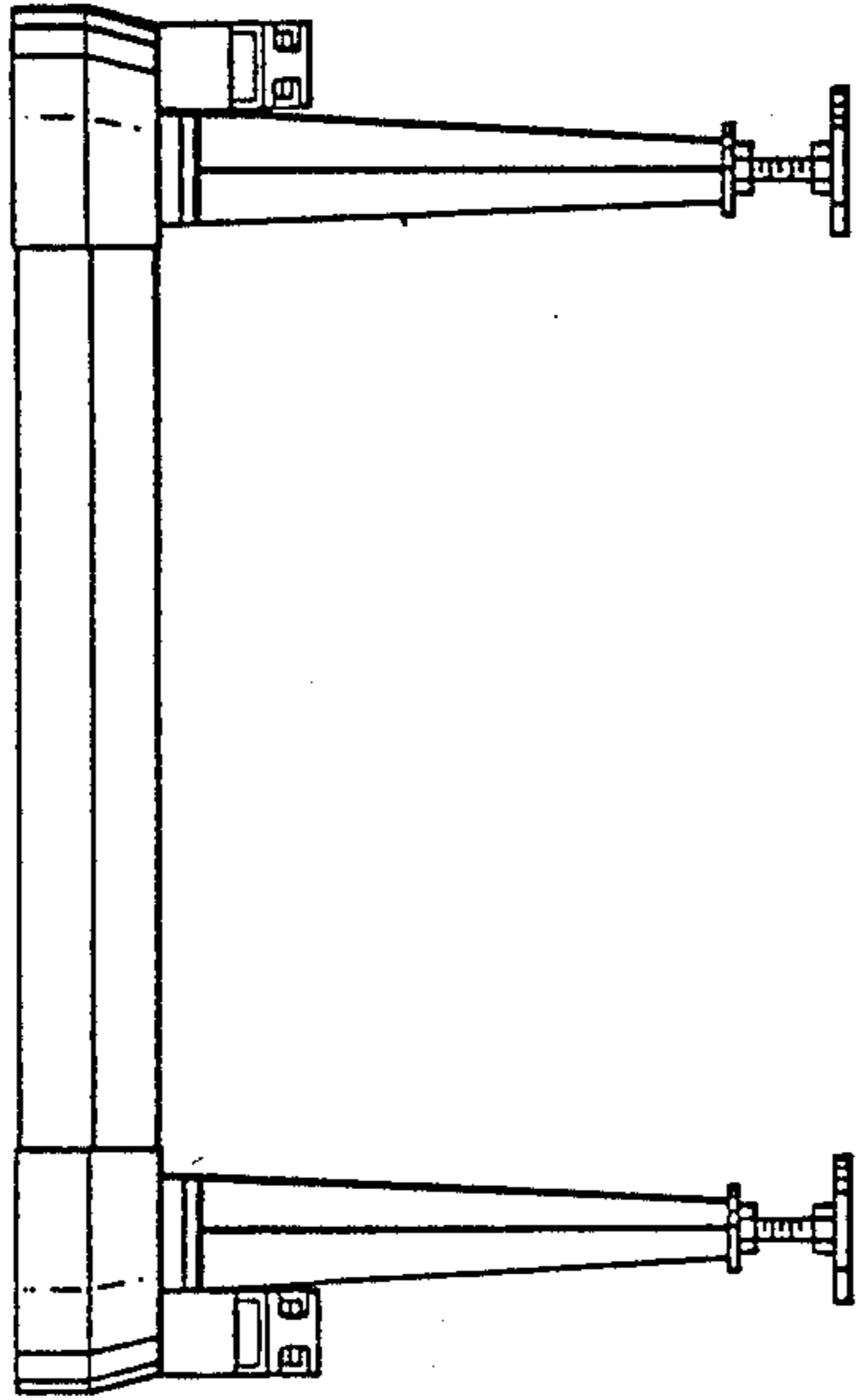


FIG. 2

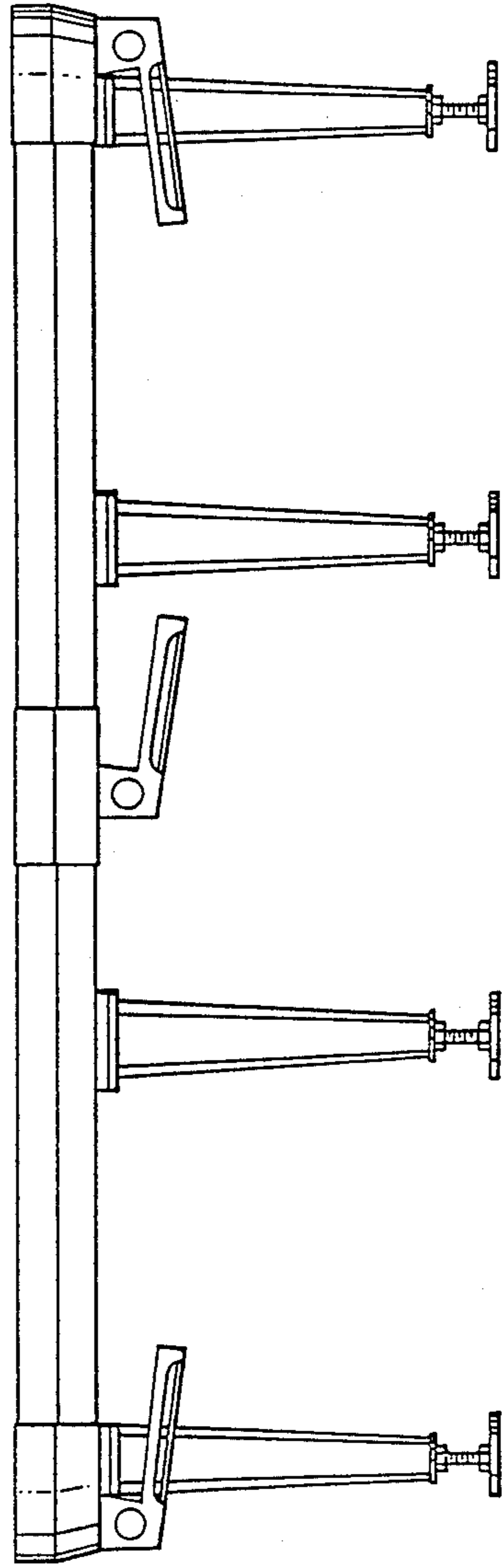


FIG. 3

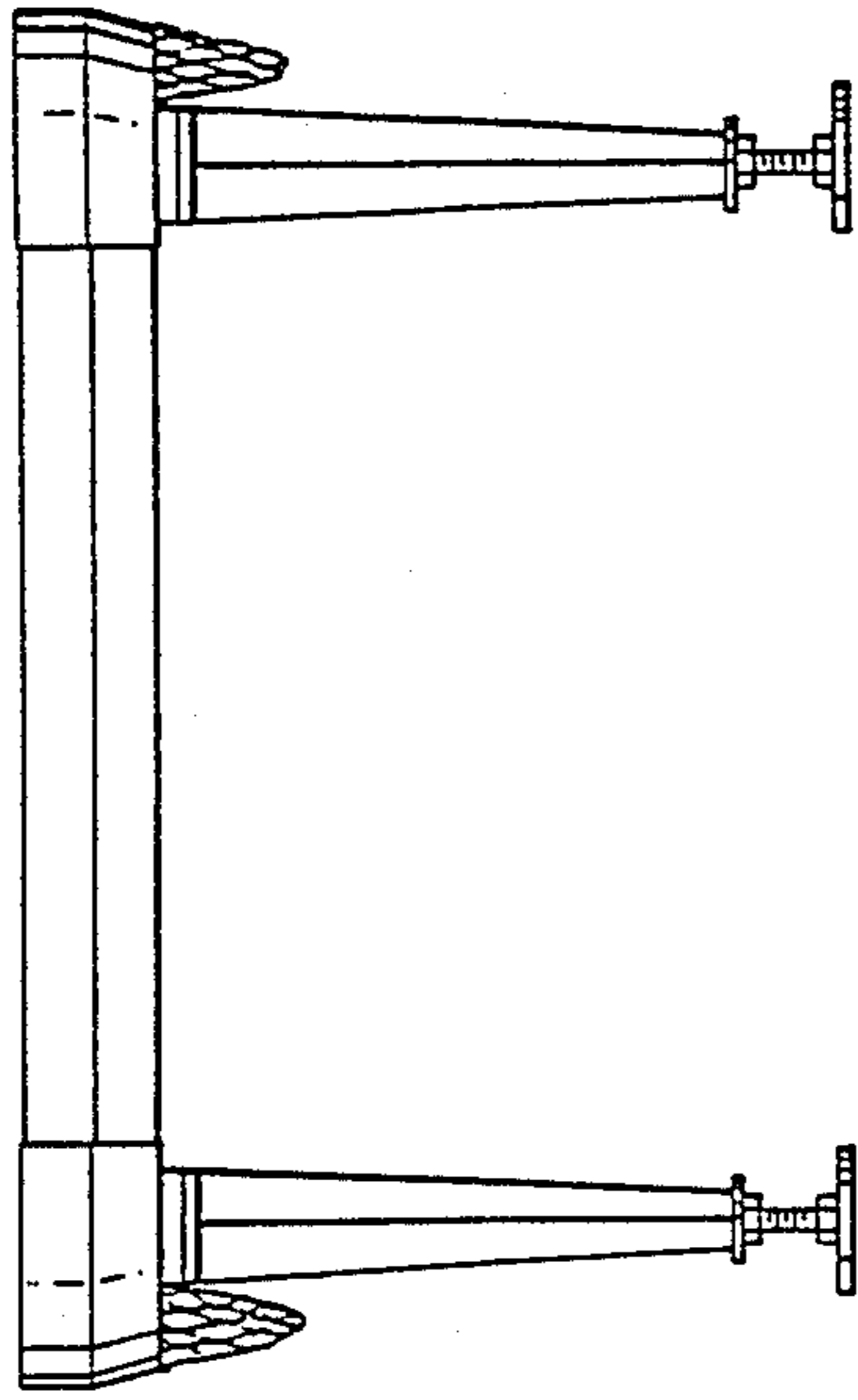


FIG. 4

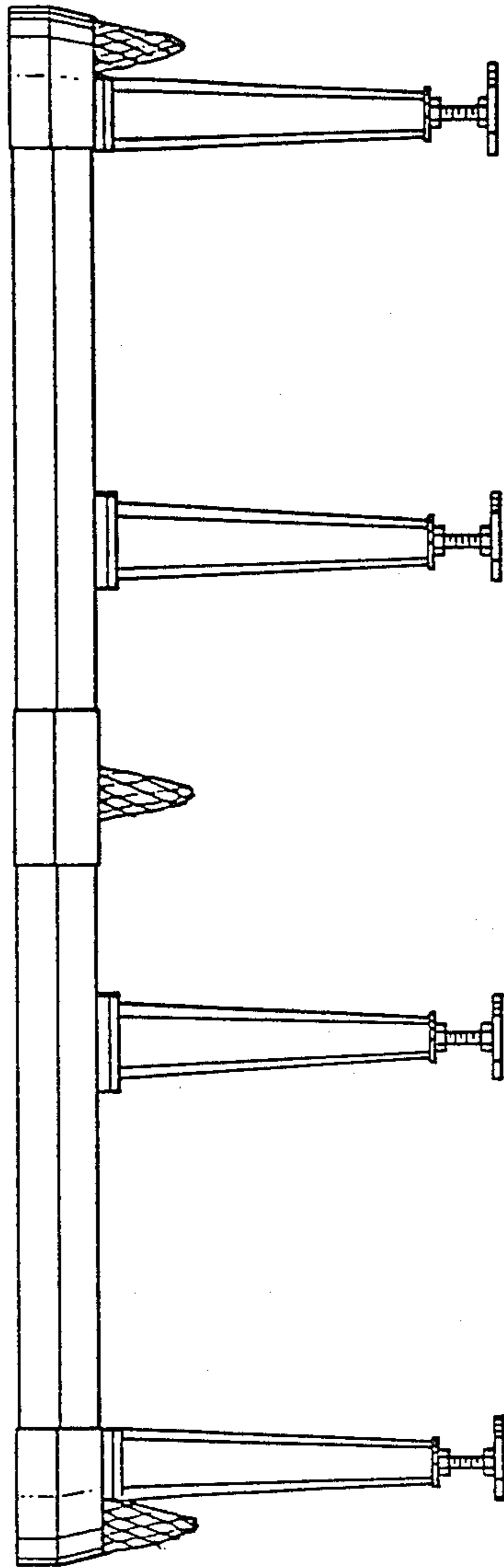


FIG. 5

FIG. 6

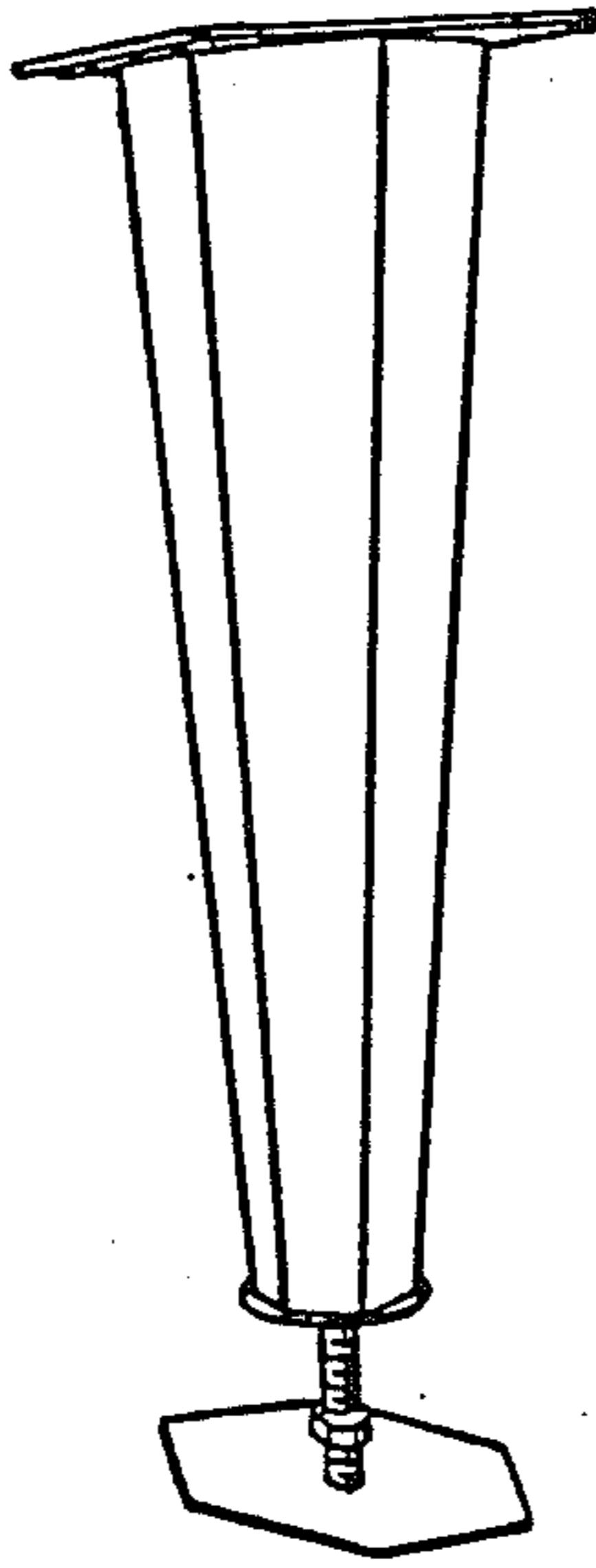


FIG. 7

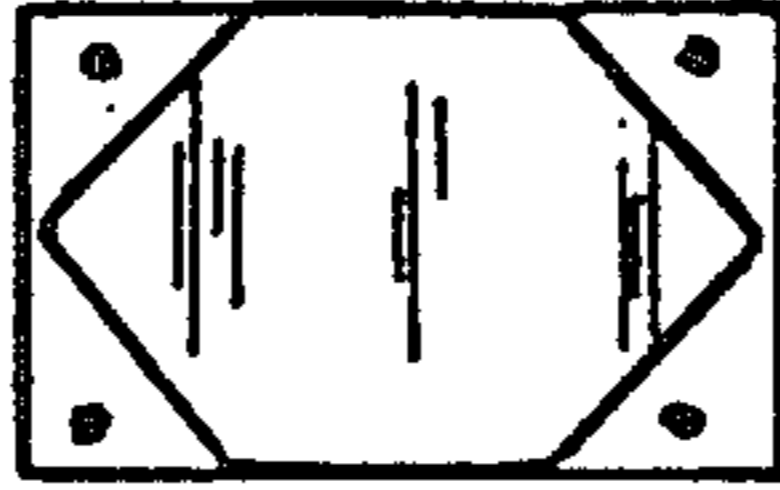


FIG. 8

