

[54] KITE STRING RIDER TOY

2,946,544 7/1960 Kinney 244/155 R

[76] Inventor: Michael D. Stevens, 4533 Point Loma Ave., San Diego, Calif. 92107

Primary Examiner—Charles A. Rademaker
Attorney, Agent, or Firm—Brown, Martin, Haller & McClain

[**] Term: 14 Years

[21] Appl. No.: 874,355

[57] CLAIM

The ornamental design for a kite string rider toy, as shown.

[22] Filed: Jun. 13, 1986

[52] U.S. Cl. D21/9

[58] Field of Search D21/82, 88, 89, 90;
244/153, 154, 155; 446/61-68

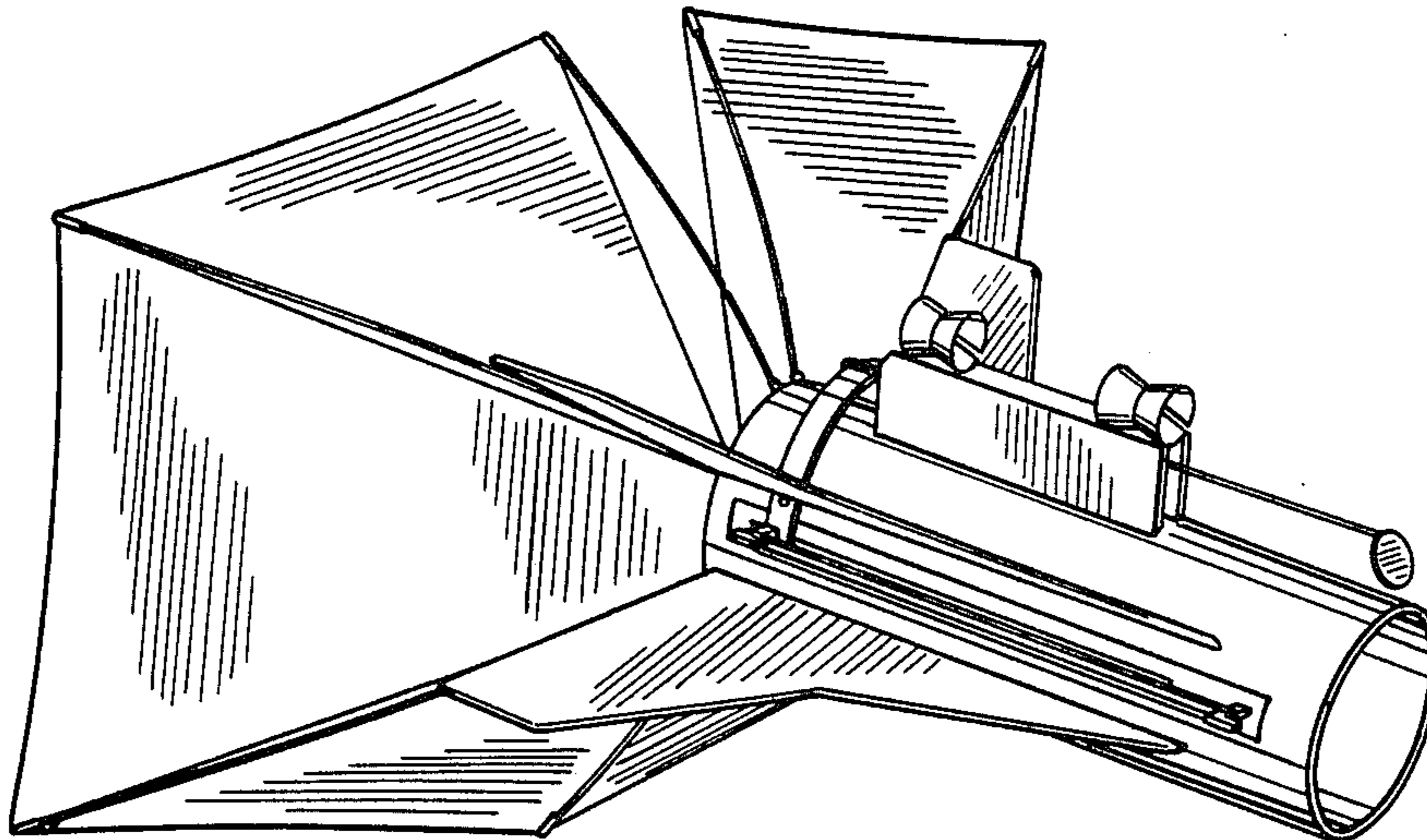
DESCRIPTION

FIG. 1 is a perspective view of a kite string rider toy, showing my new design;
FIG. 2 is a side elevational view thereof;
FIG. 3 is a bottom plan view thereof;
FIG. 4 is a rear elevational view thereof;
FIG. 5 is a front elevational view thereof; and
FIG. 6 is a top plan view thereof with the sail retracted.

[56] References Cited

U.S. PATENT DOCUMENTS

- D. 181,701 12/1957 Bahnik D21/91
- D. 272,926 3/1984 Guinn D21/91
- 2,833,497 5/1958 Young 244/155 R



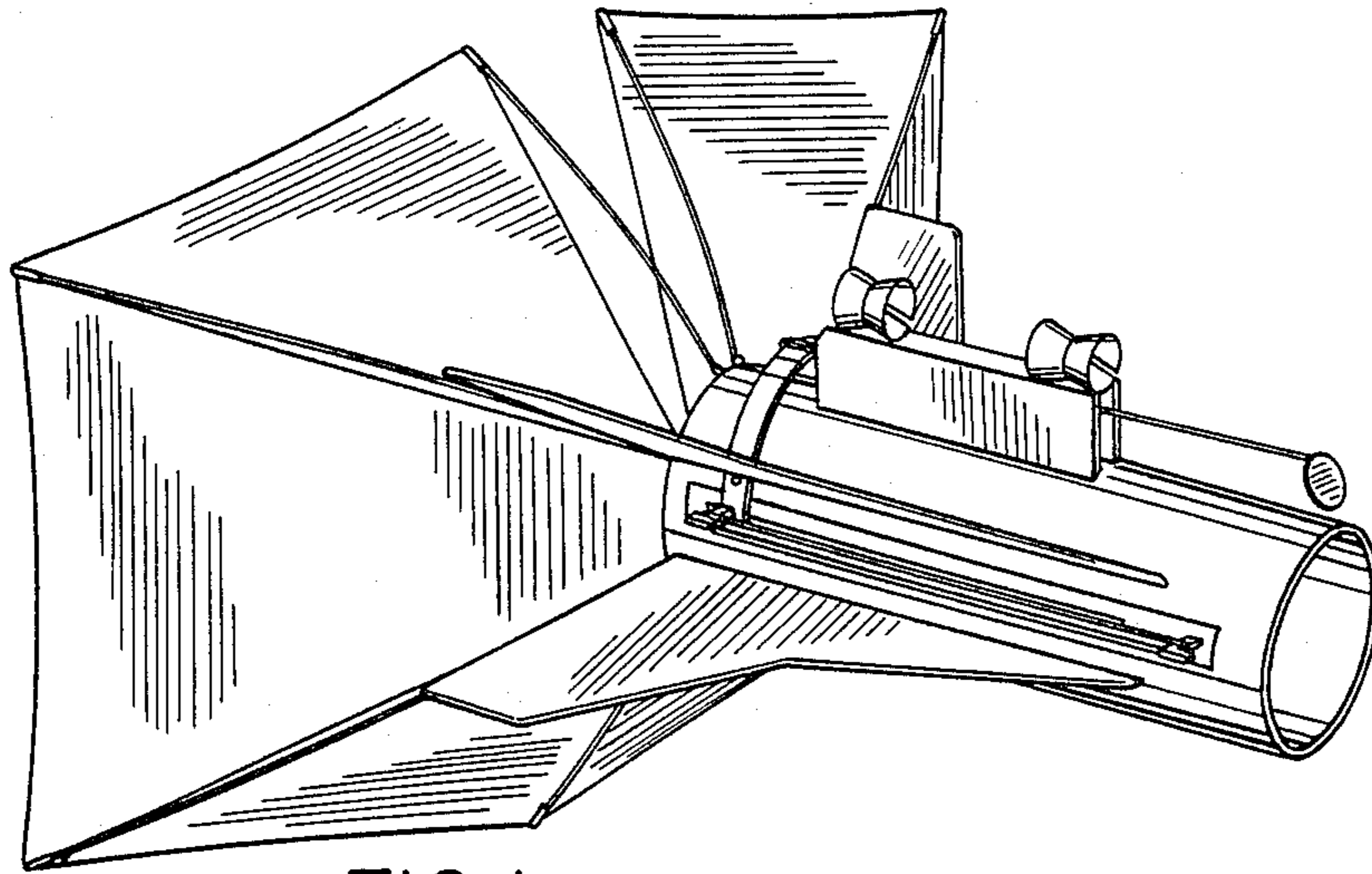


FIG. 1

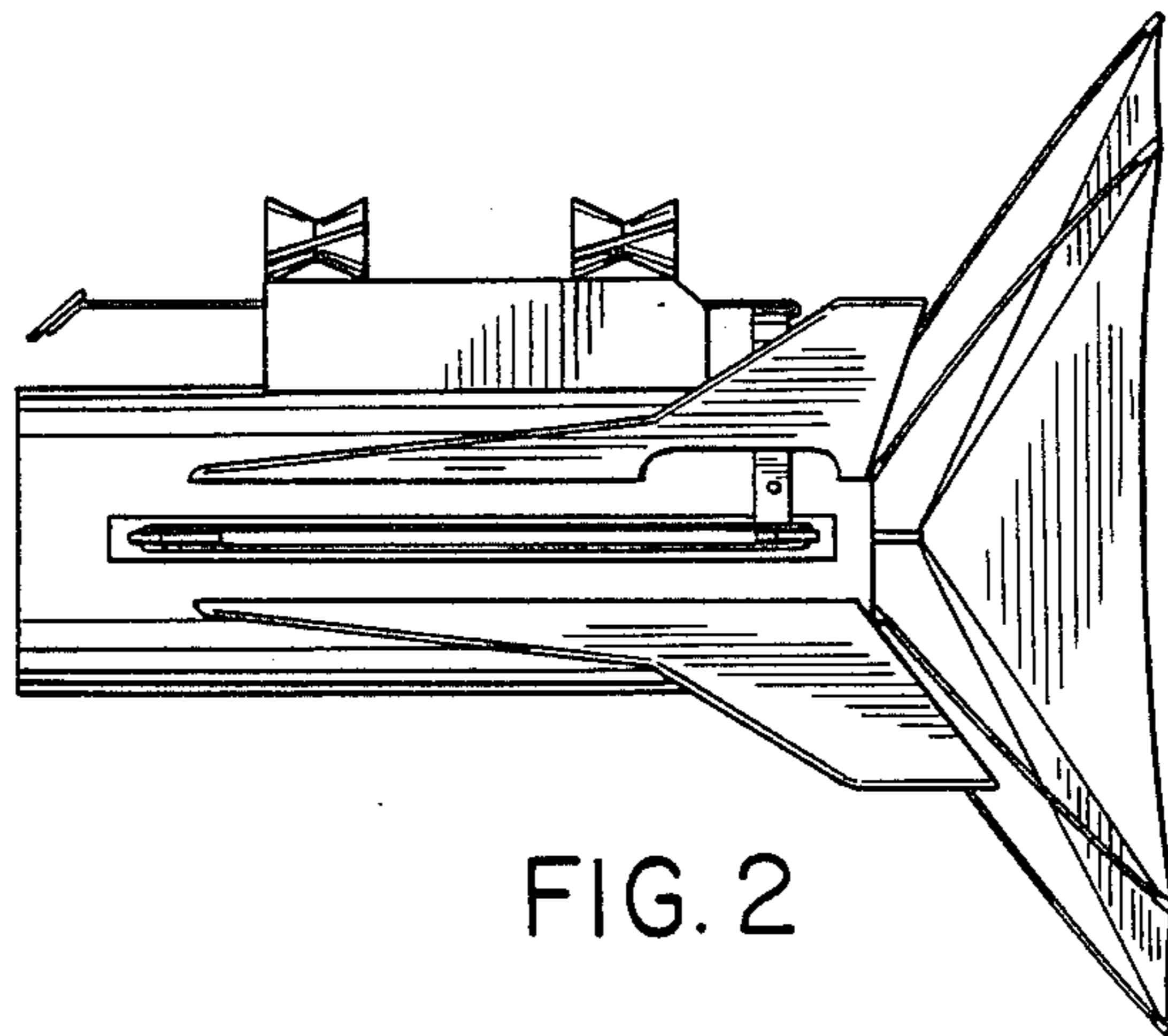


FIG. 2

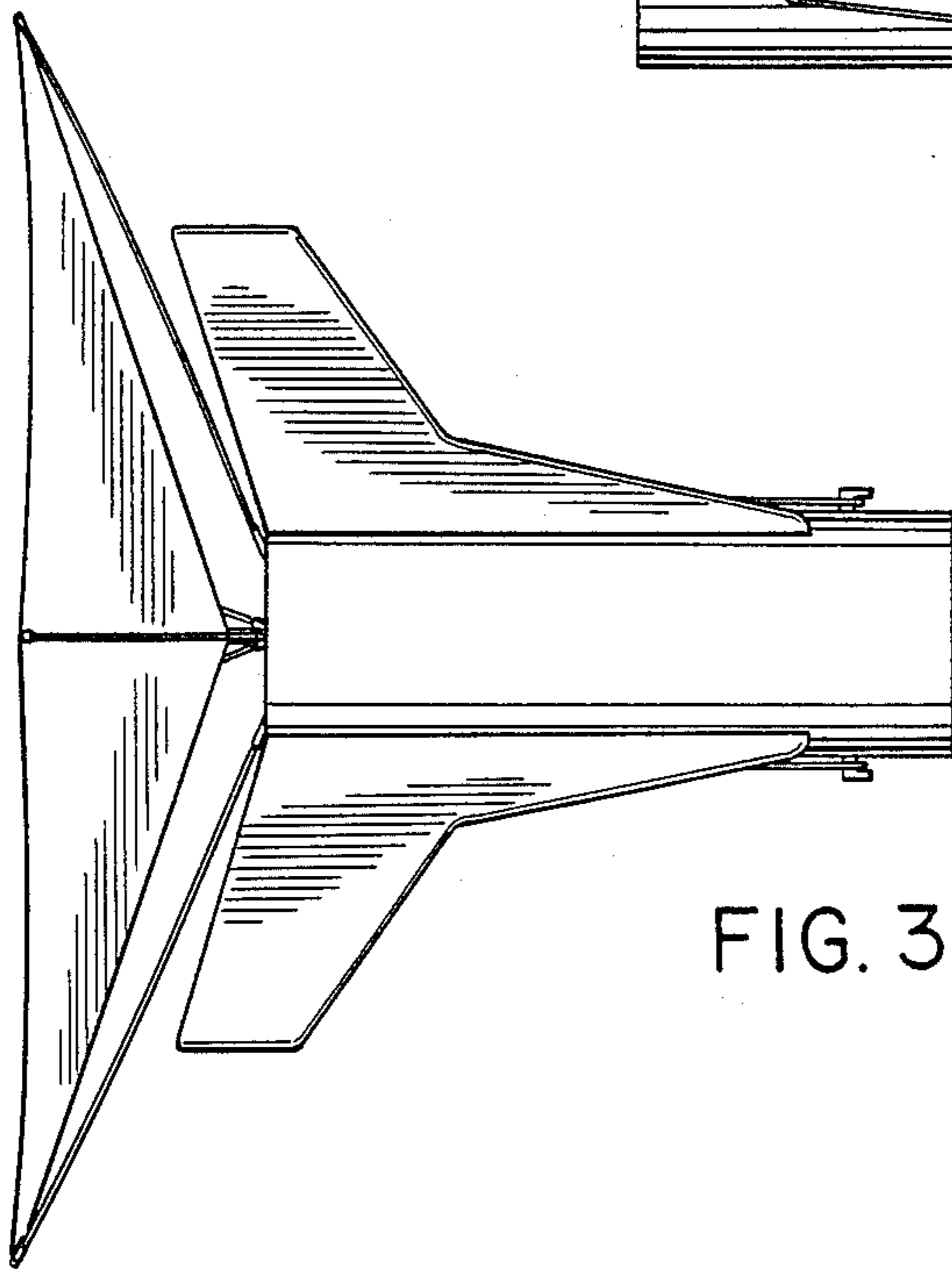


FIG. 3

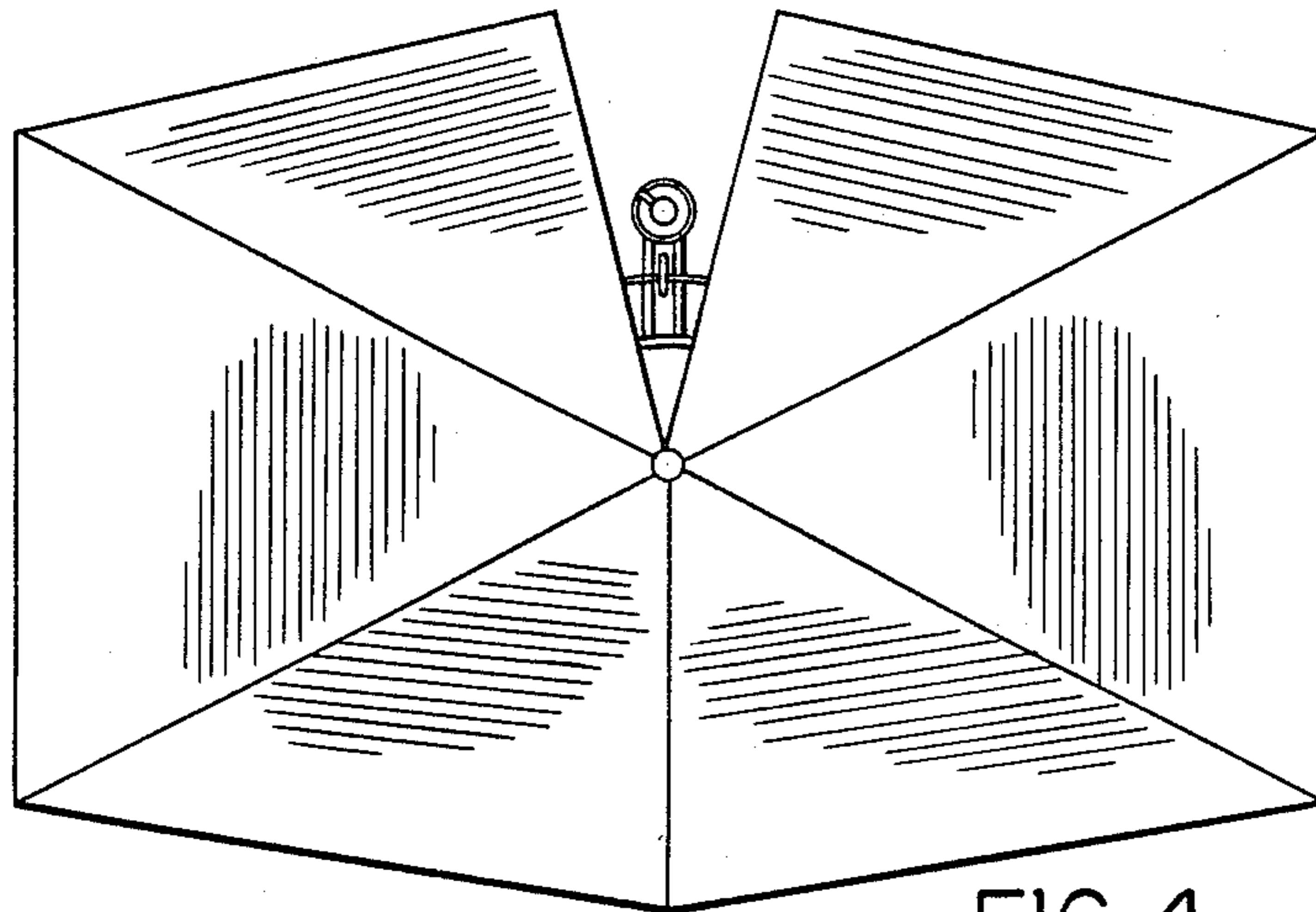


FIG. 4

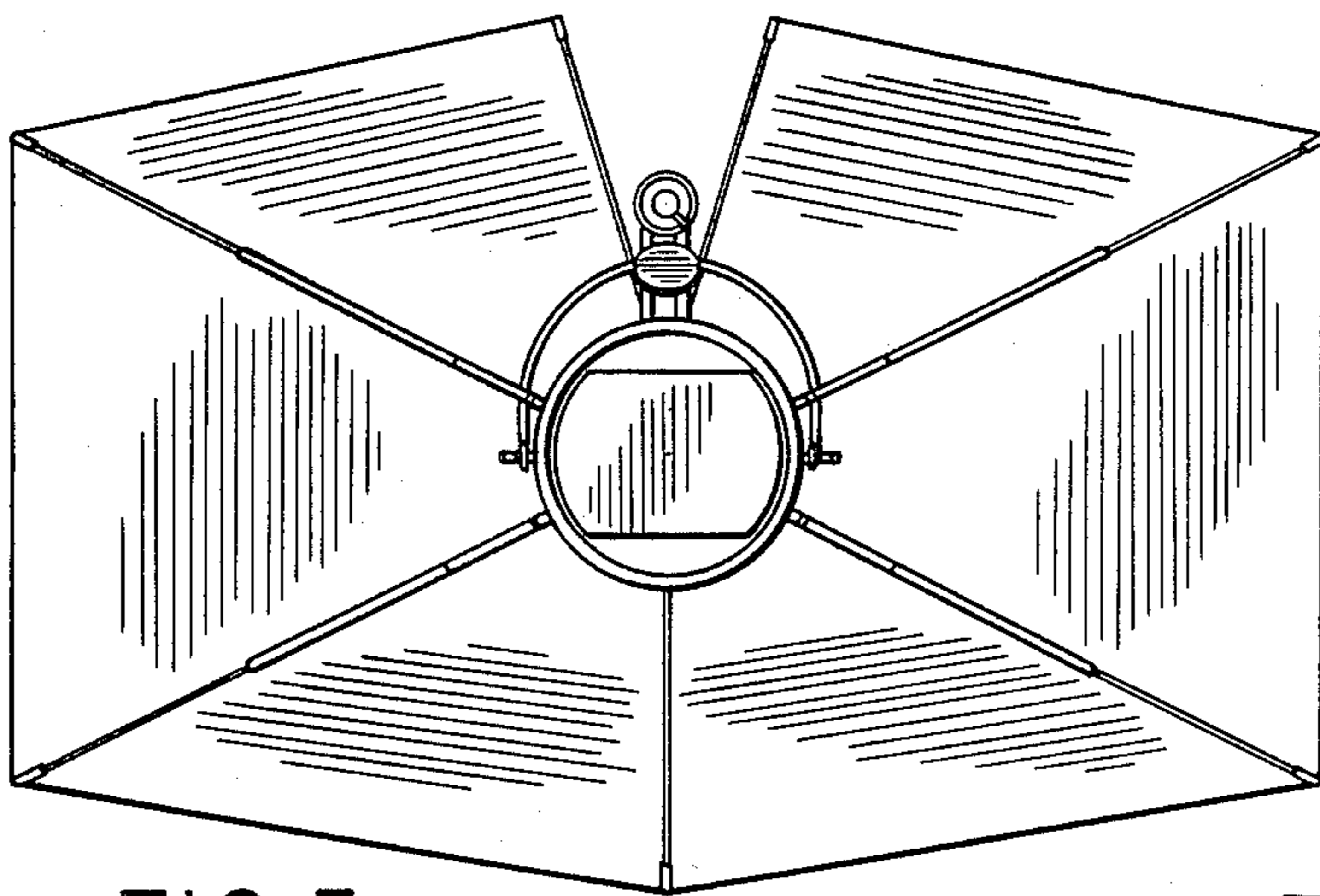


FIG. 5

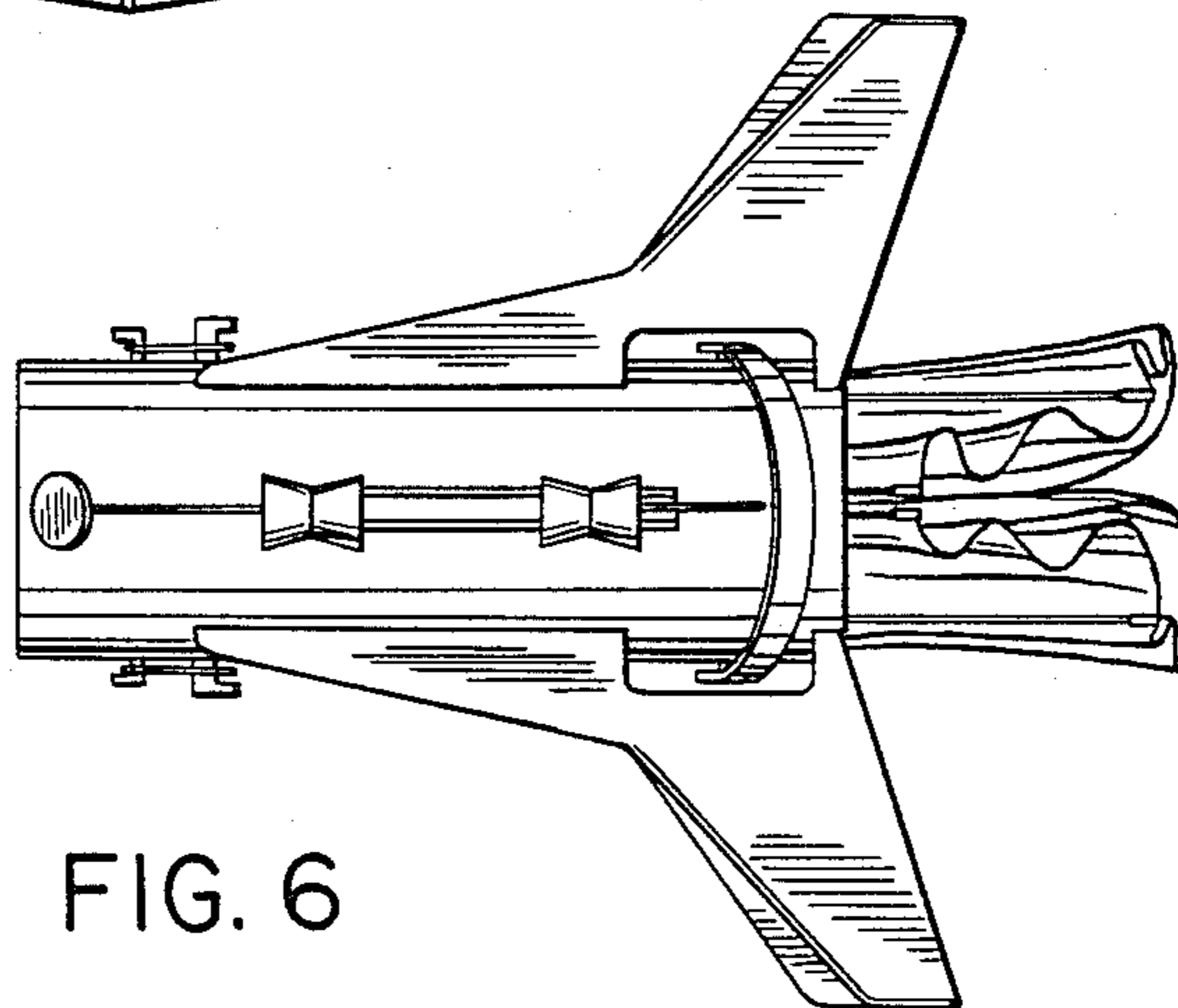


FIG. 6