

[54] **TRIPOD PAN HEAD AND HANDLE**

[75] **Inventor: Isao Yamaguchi, Saitama, Japan**  
[73] **Assignee: Heiwa Seiki Kogyo Kabushiki Kaisha, Yashio, Japan**  
[\*\*] **Term: 14 Years**  
[21] **Appl. No.: 1,603**  
[22] **Filed: Jan. 9, 1987**  
[52] **U.S. Cl. .... D16/245; 354/293**  
[58] **Field of Search ..... D16/244, 245; 354/293; 248/163.1**

[56] **References Cited**  
**U.S. PATENT DOCUMENTS**

D. 160,136	9/1950	Welt	.....	D16/245
D. 179,828	3/1957	Welt	.....	D16/244
D. 222,596	11/1971	Leubner	.....	D16/244
D. 257,260	10/1980	Shiraishi	.....	D16/244
D. 262,635	1/1982	Iwasaki	.....	D16/245
D. 269,880	7/1983	Iwasaki	.....	D16/244

**OTHER PUBLICATIONS**

*Heiwa Tripod Catalogue*, Apr. 1983, pp. 1, 2, 4 and 6.  
*35 mm Photography*, Jun. 1985, p. 13.  
*Modern Photography*, Jun. 1985, p. 50.  
*Primary Examiner*—Bruce W. Dunkins  
*Assistant Examiner*—Caron D. Veynar  
*Attorney, Agent, or Firm*—Lyon & Lyon

[57] **CLAIM**

The ornamental design for a tripod pan head and handle, as shown.

**DESCRIPTION**

FIG. 1 is a right side elevational view of a tripod pan head and handle showing my new design;  
FIG. 2 is a front elevational view thereof;  
FIG. 3 is a left side elevational view thereof;  
FIG. 4 is a rear elevational view thereof;  
FIG. 5 is a top plan view thereof;  
FIG. 6 is a bottom plan view thereof.

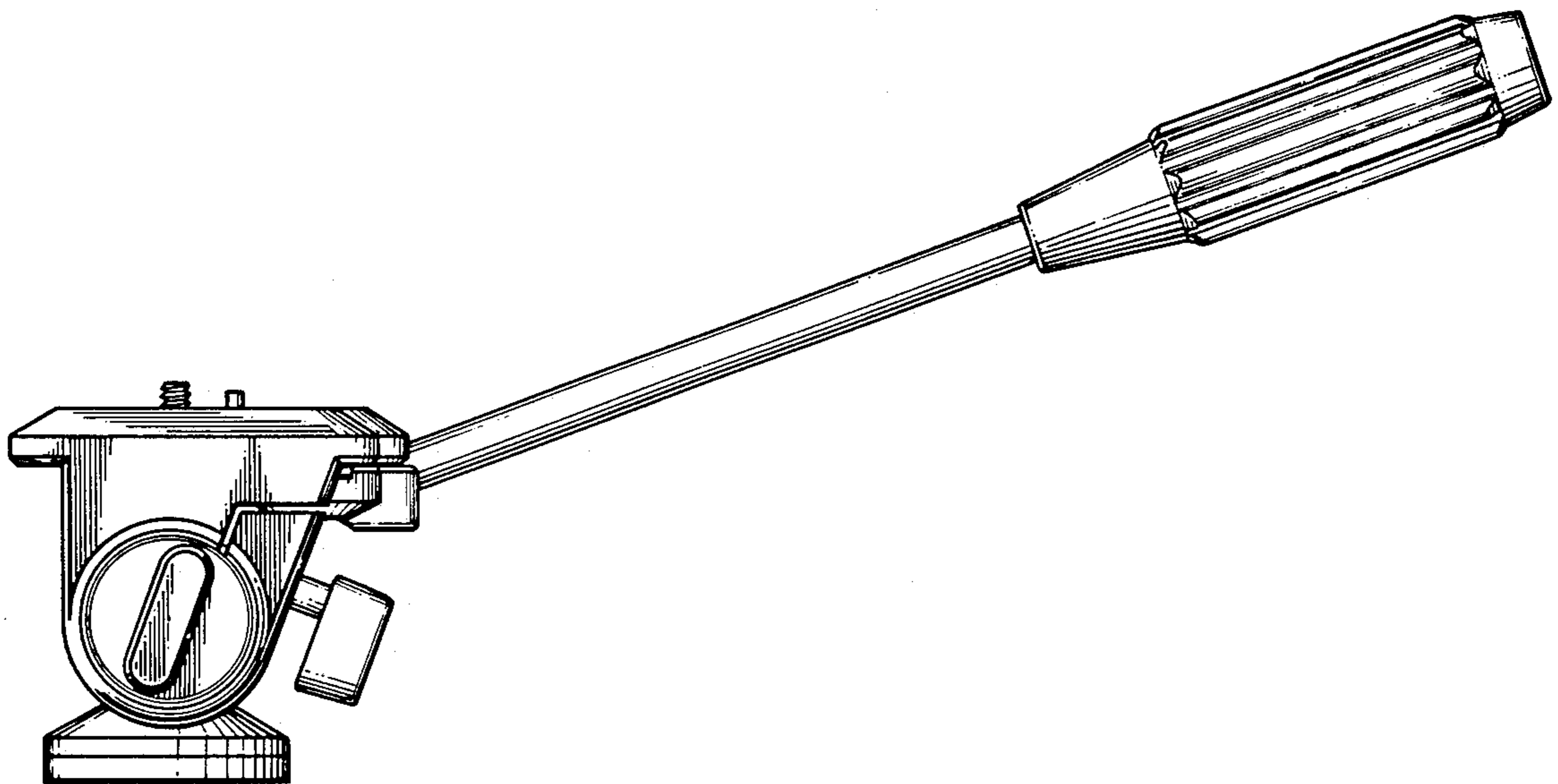


FIG. 1.

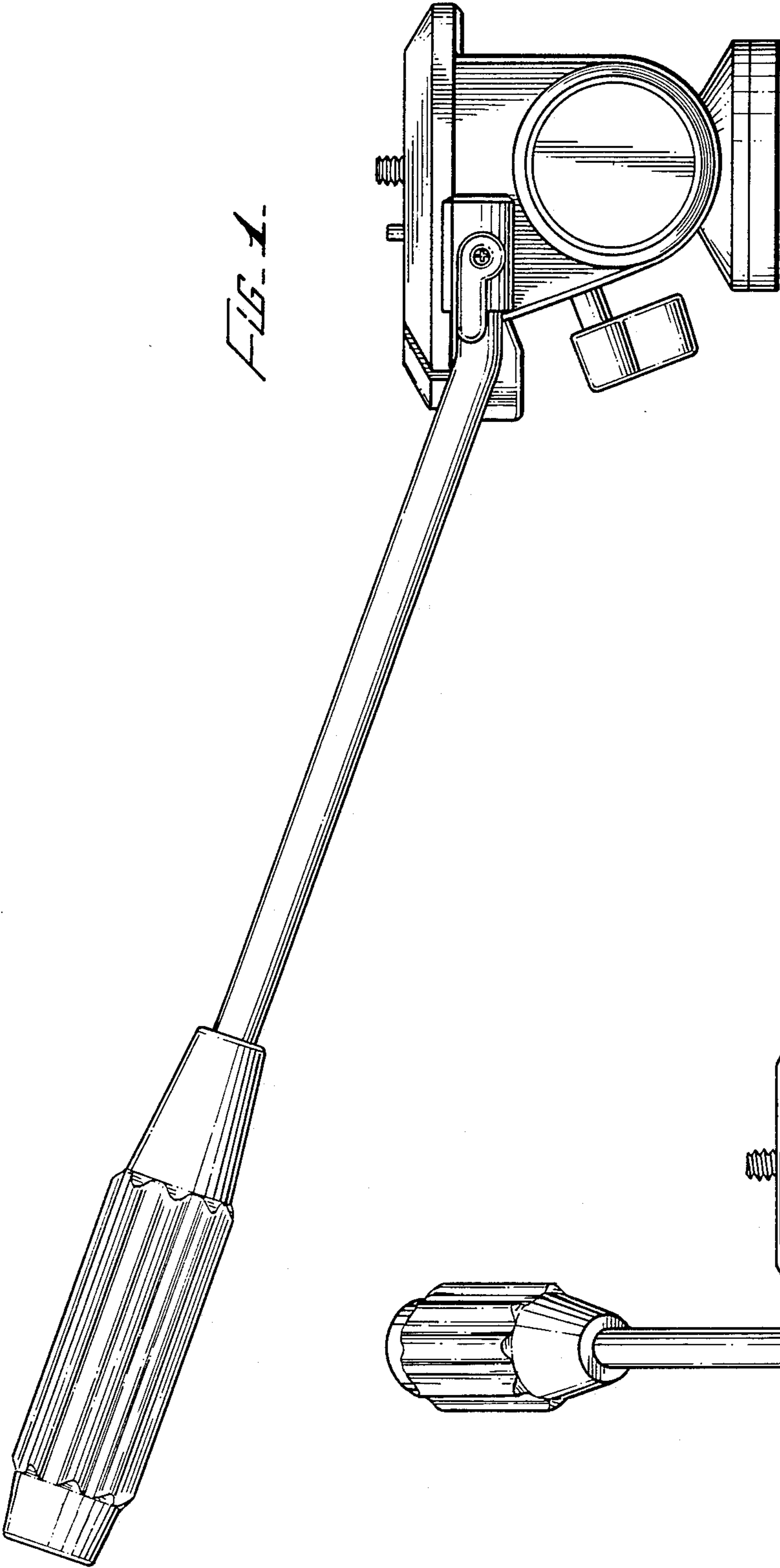
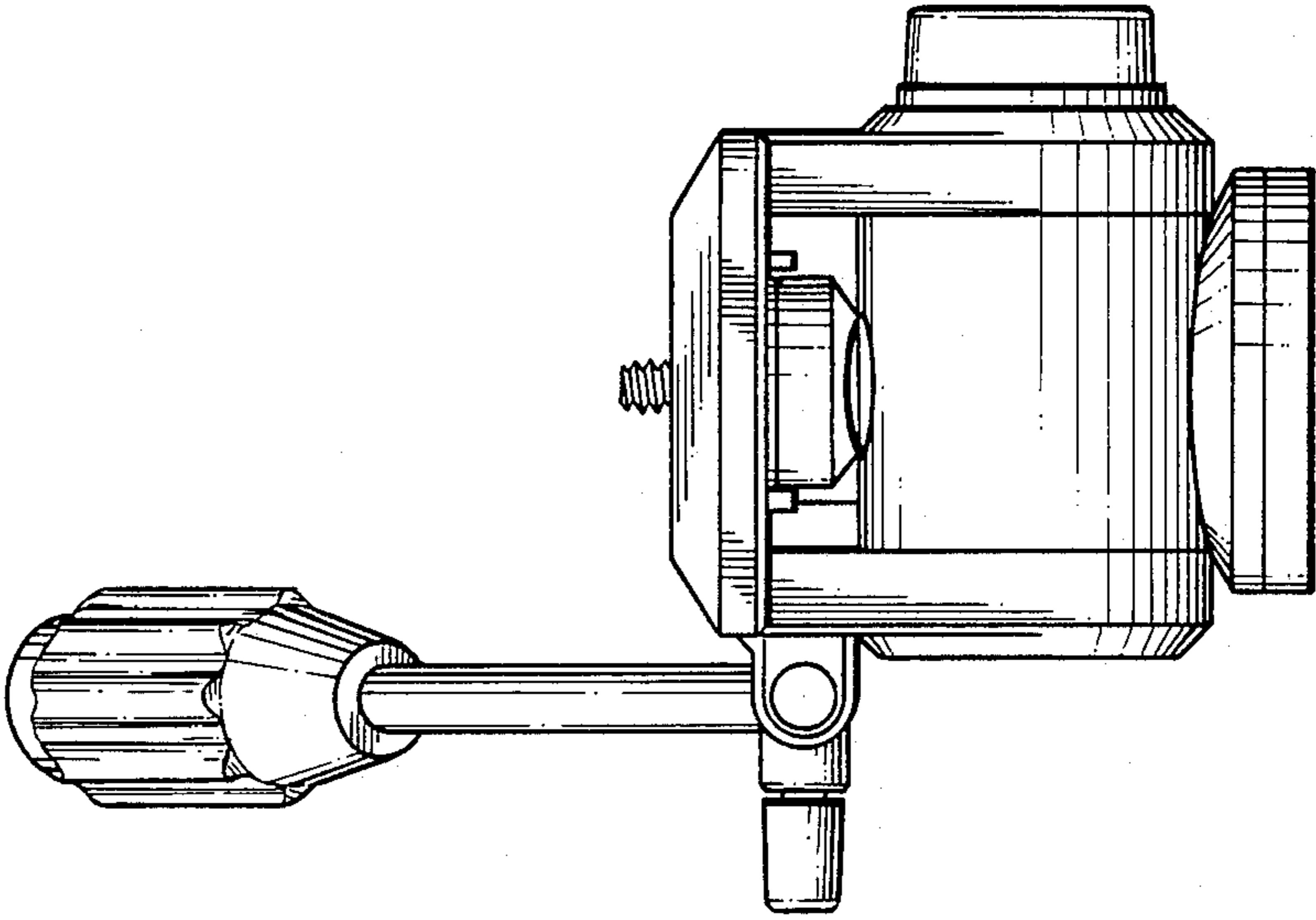


FIG. 2.



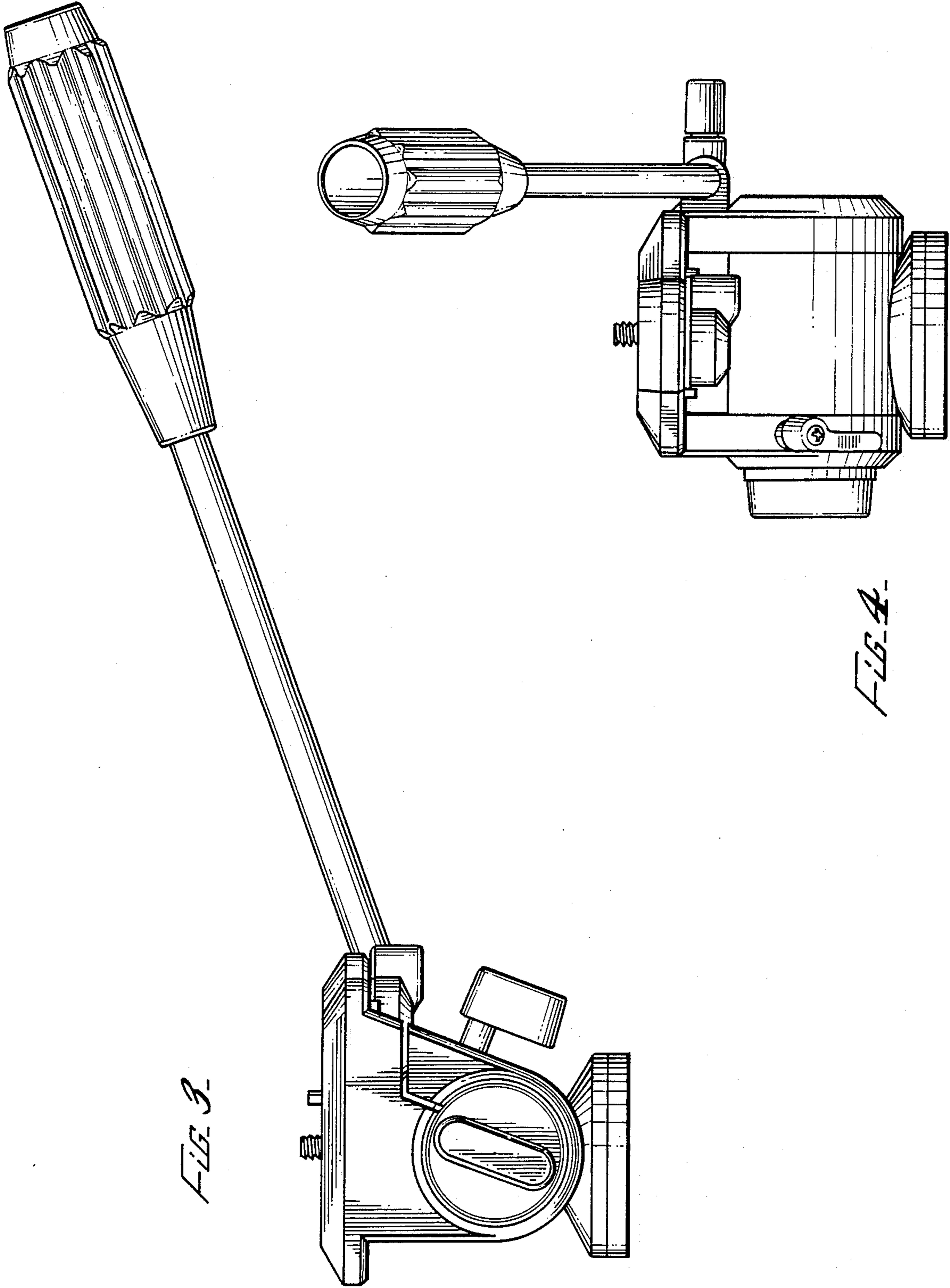


FIG. 3

FIG. 4

