

[54] ULTRASONIC MICROSCOPE

[75] Inventors: Manabu Takahashi; Fumio Uchino; Yuzo Nakamura; Hitoshi Tateoka; Yasushi Satoh; Koichi Karaki; Masahiro Ohno; Soji Yamamoto; Jun-ichi Ishibashi; Kanae Nakasato; Kiyoshi Fujii, all of Tokyo, Japan

[73] Assignee: Olympus Optical Co., Ltd., Tokyo, Japan

[**] Term: 14 Years

[21] Appl. No.: 12,732

[22] Filed: Feb. 5, 1987

[30] Foreign Application Priority Data

Aug. 7, 1986 [JP] Japan 61-30693

[52] U.S. Cl. D16/131; D24/1.1

[58] Field of Search D16/131; D24/1.1; 73/606, 607, 602, 619, 620, 629, 634, 614, 615, 618, 621, 626, 642, 644, 634; 350/507, 520

[56] References Cited

U.S. PATENT DOCUMENTS

4,614,410 9/1986 Ikenaga et al. 350/507
4,621,531 11/1986 Nakamura et al. 73/606

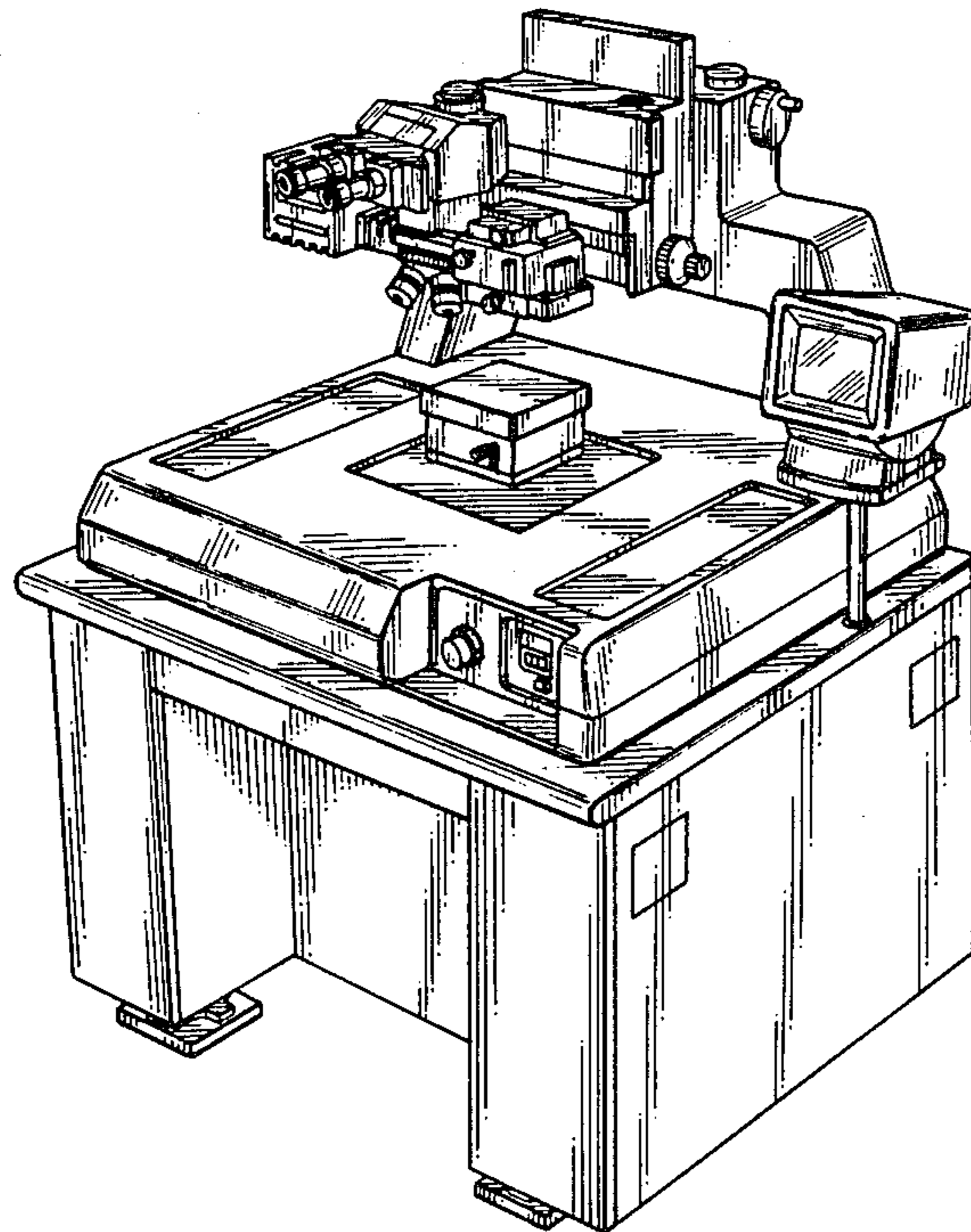
Primary Examiner—Wallace R. Burke
Assistant Examiner—Stella M. Reid
Attorney, Agent, or Firm—Bacon & Thomas

[57] CLAIM

The ornamental design for an ultrasonic microscope, as shown.

DESCRIPTION

FIG. 1 is a top, front and right side perspective view of an ultrasonic microscope showing our new design; FIG. 2 is a front elevational view thereof; FIG. 3 is a right side elevational view thereof; FIG. 4 is a rear elevational view thereof; FIG. 5 is a left side elevational view thereof; FIG. 6 is a top plan view thereof; and FIG. 7 is a bottom plan view thereof.



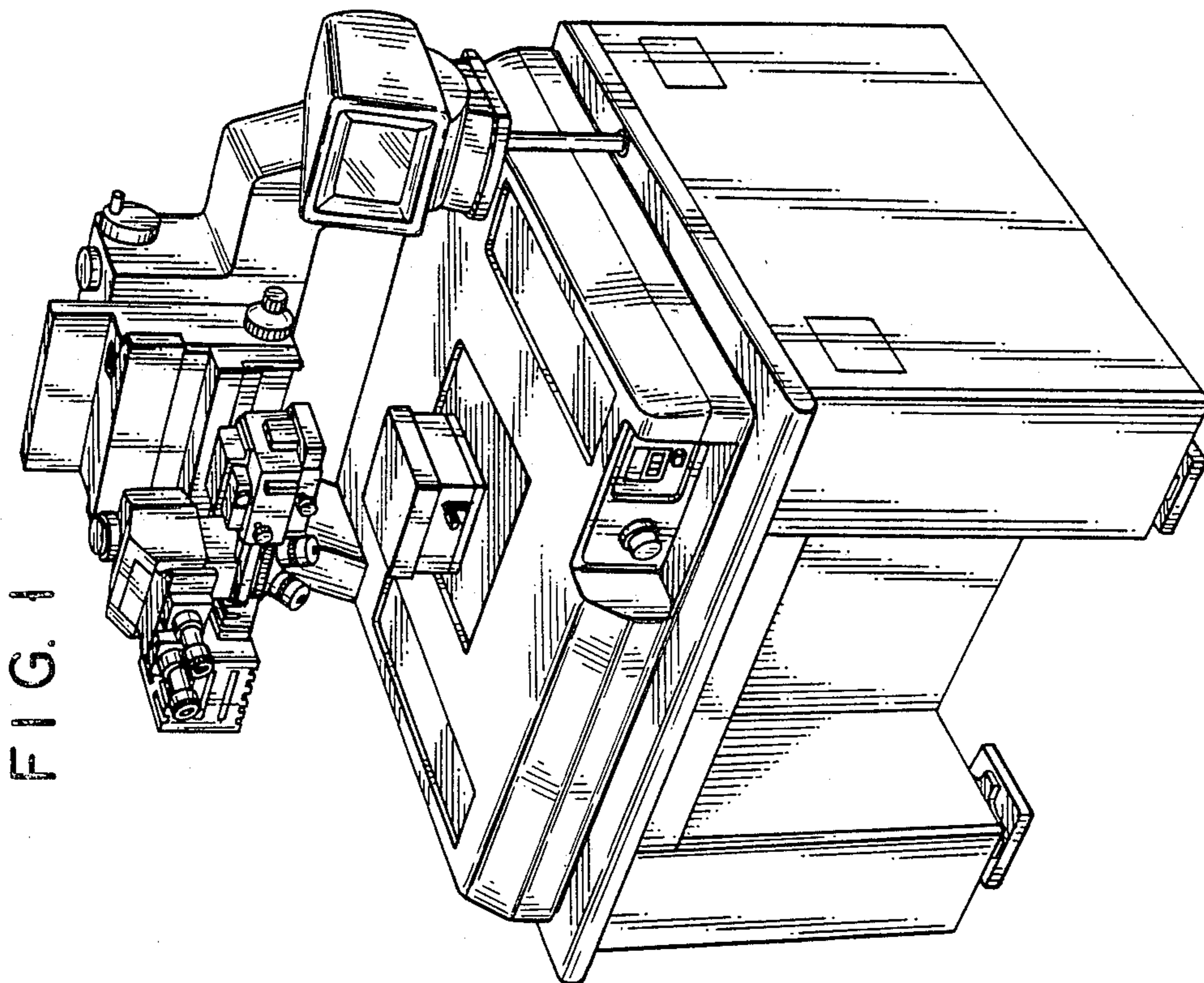


FIG. 1

FIG. 3

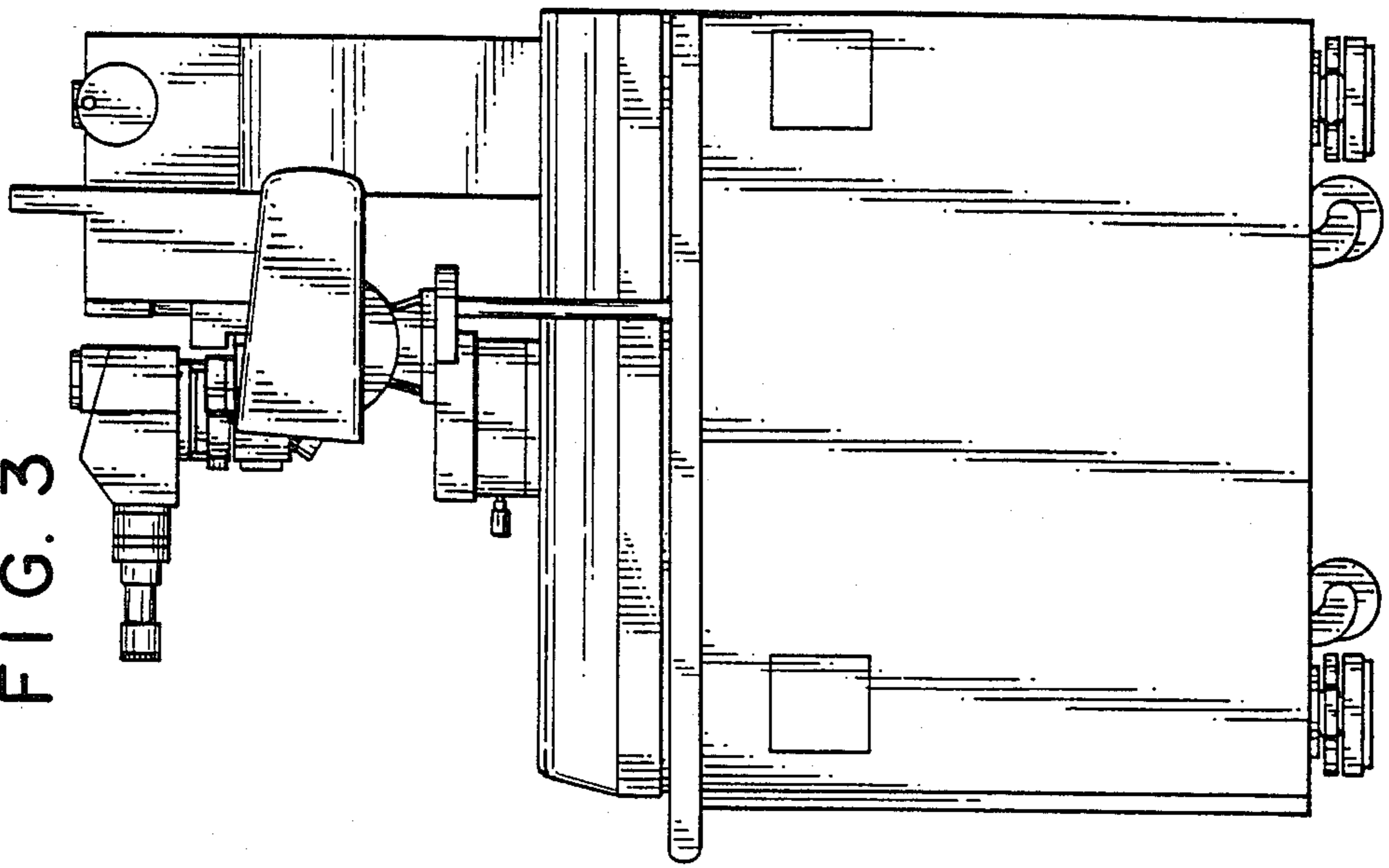


FIG. 2

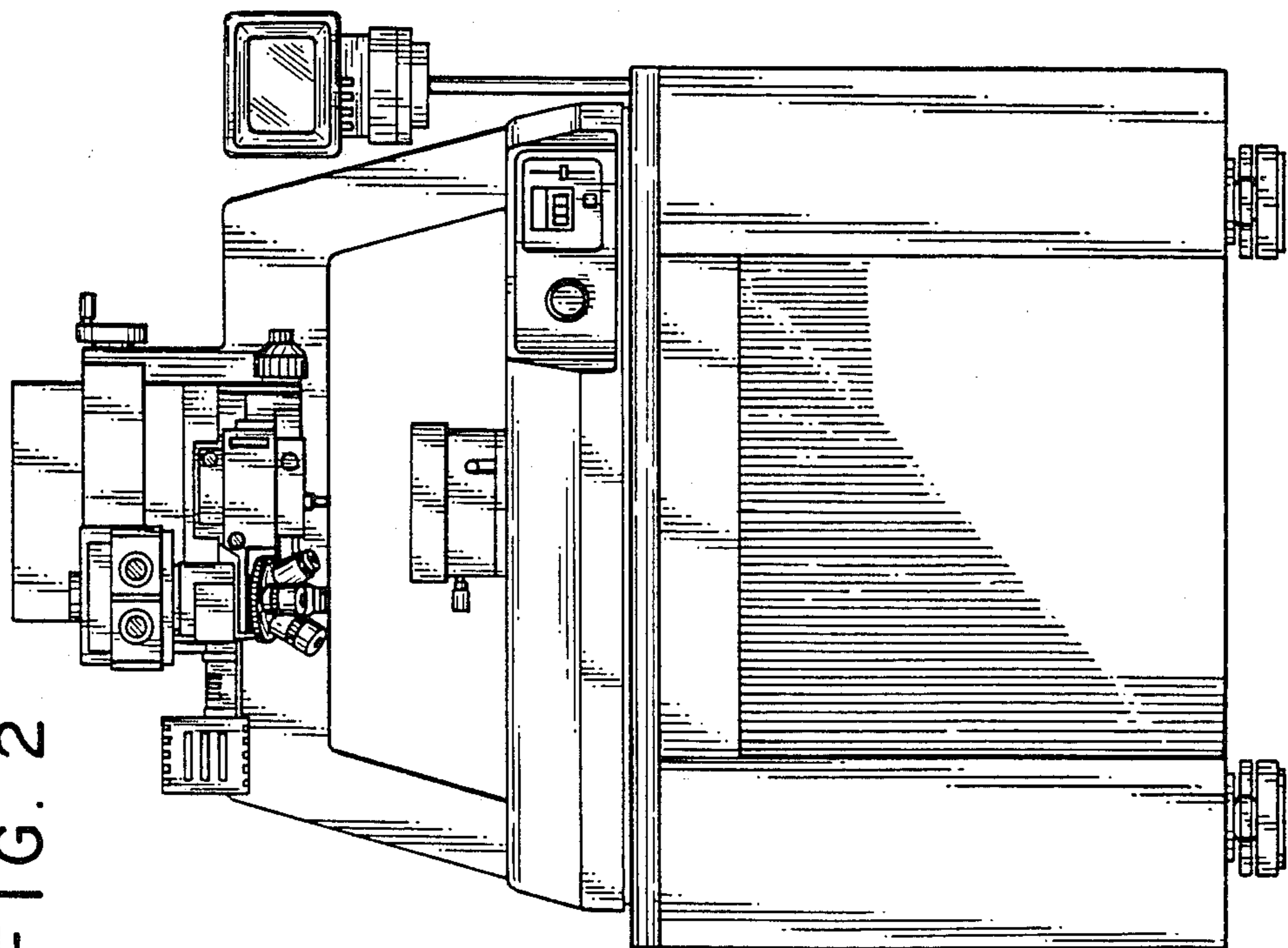


FIG. 5

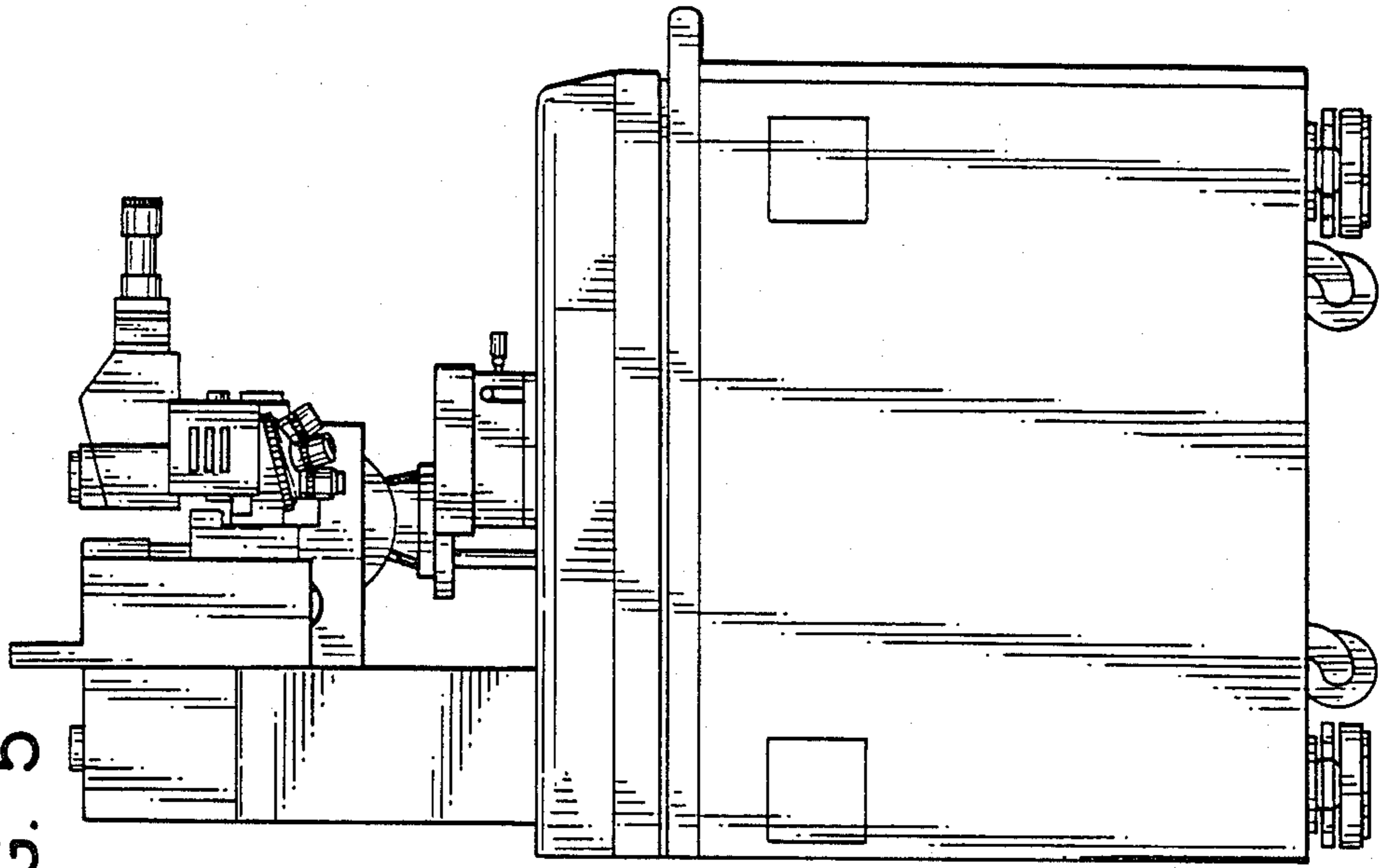


FIG. 4

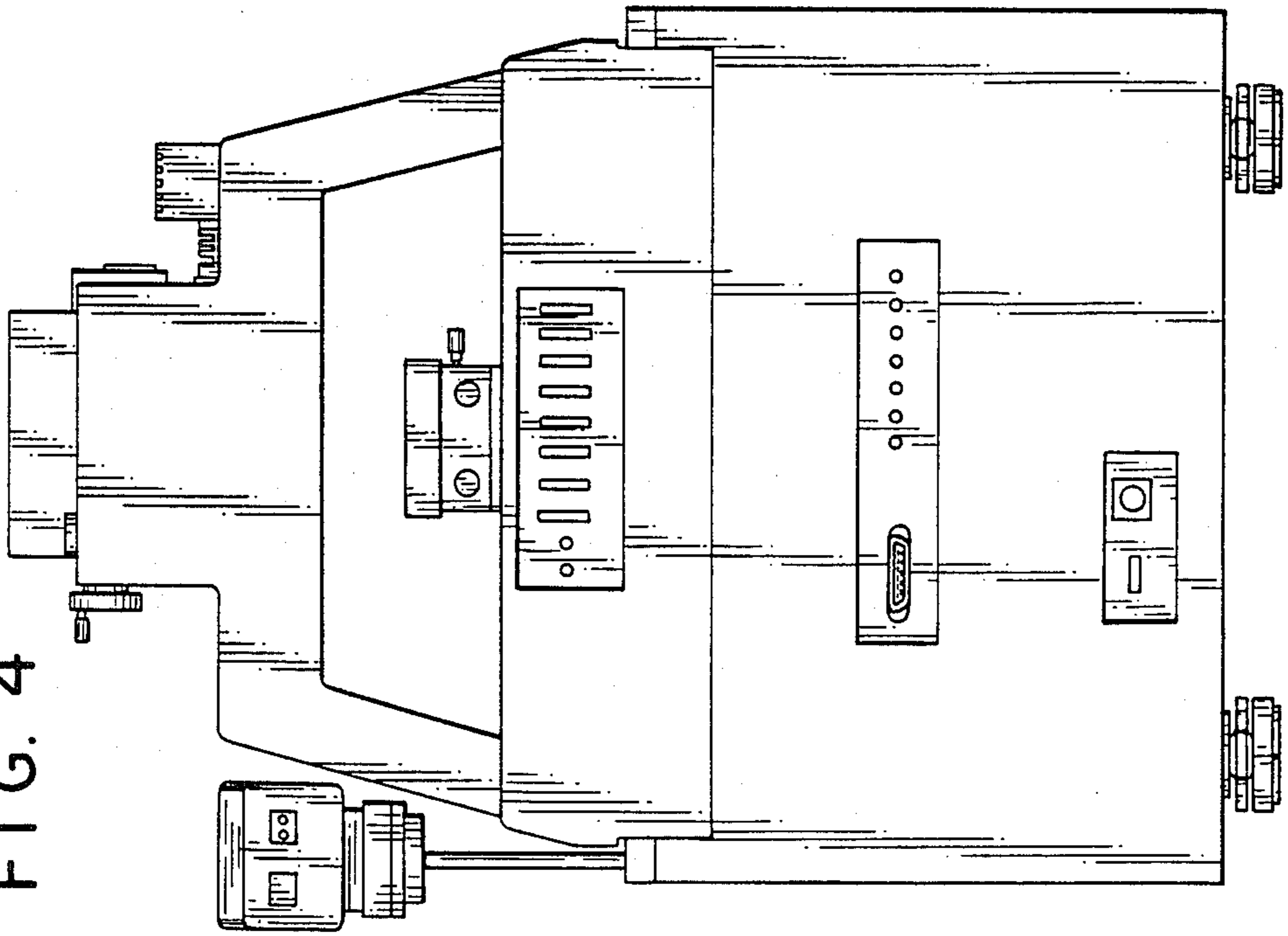


FIG. 7

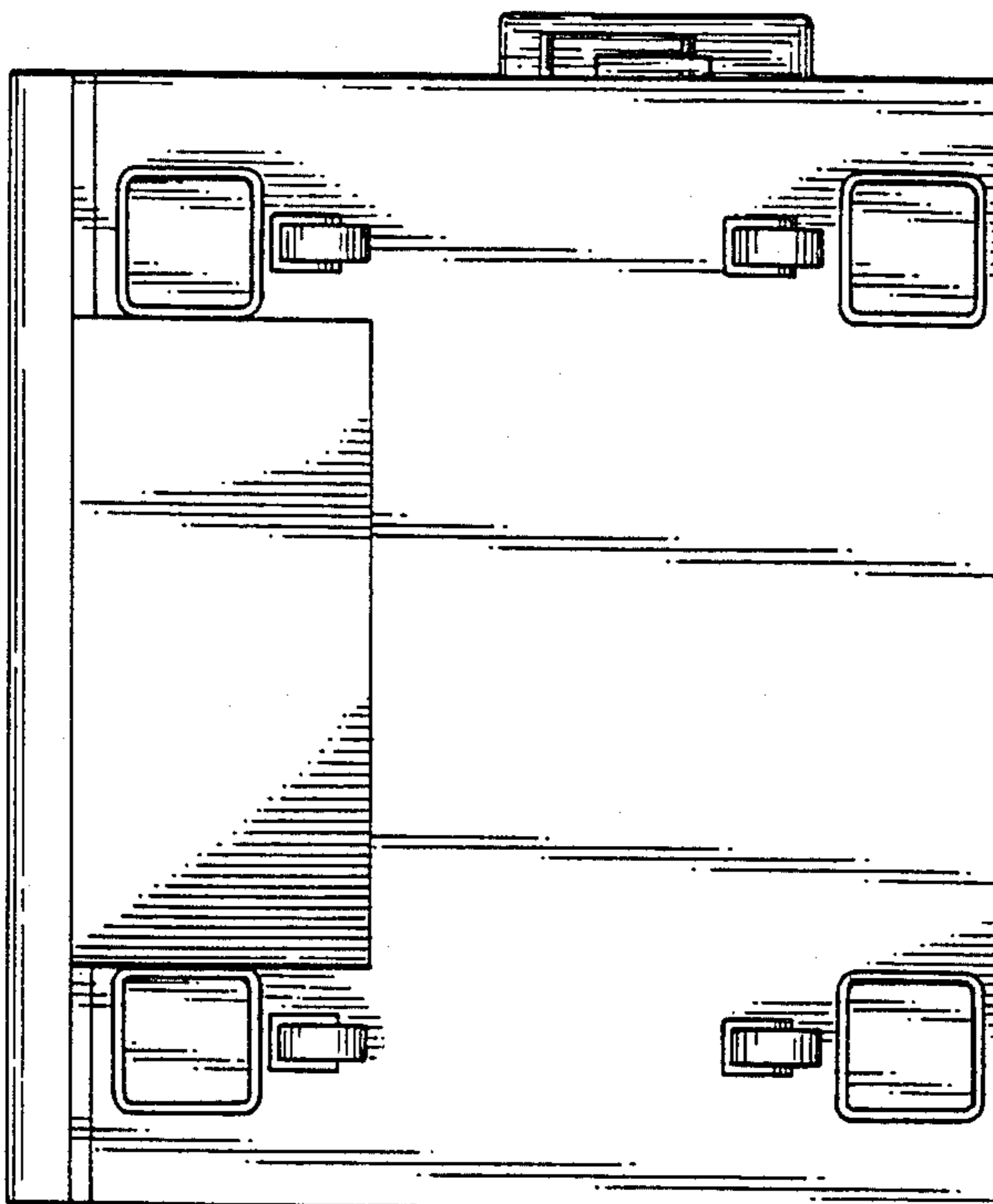


FIG. 6

