

[54] **PUMPING UNIT FOR OIL WELLS OR THE LIKE**

[76] **Inventors: Ralph E. Yeatts, 62313 Verde Rd., Montrose, Colo. 81401; Bobbie L. Mosley, P.O. Box 343, Montrose, Colo. 81401**

[**] **Term: 14 Years**

[21] **Appl. No.: 26,718**

[22] **Filed: Mar. 17, 1987**

[52] **U.S. Cl. D15/7**

[58] **Field of Search D15/7, 9.1; 166/75.1, 166/67, 68**

[56] **References Cited**

U.S. PATENT DOCUMENTS

2,773,551 12/1956 Warden et al. 166/67 X
4,741,397 5/1988 Weeks 166/68 X

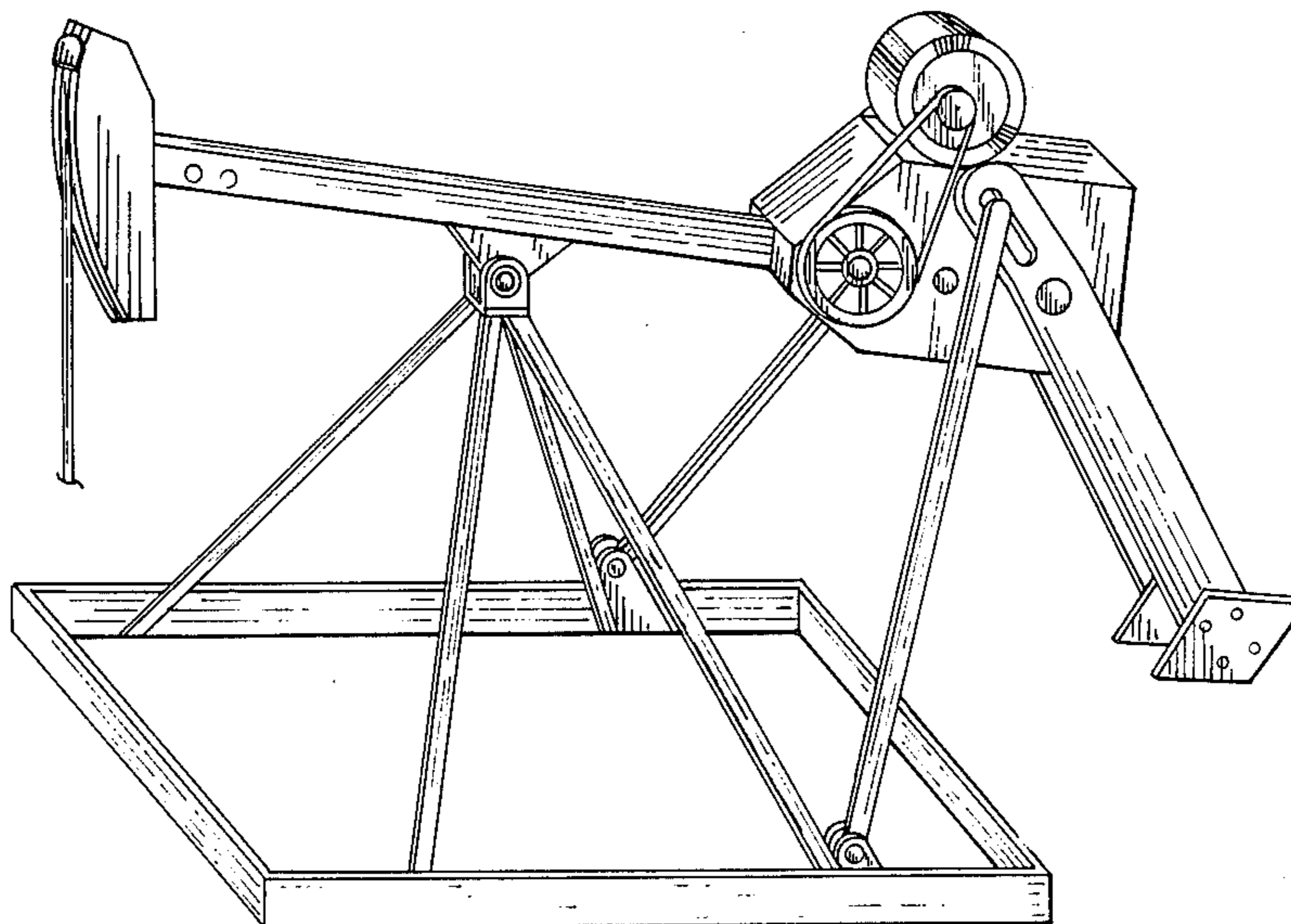
Primary Examiner—Wallace R. Burke
Assistant Examiner—Brian N. Vinson
Attorney, Agent, or Firm—Lewis E. Massie

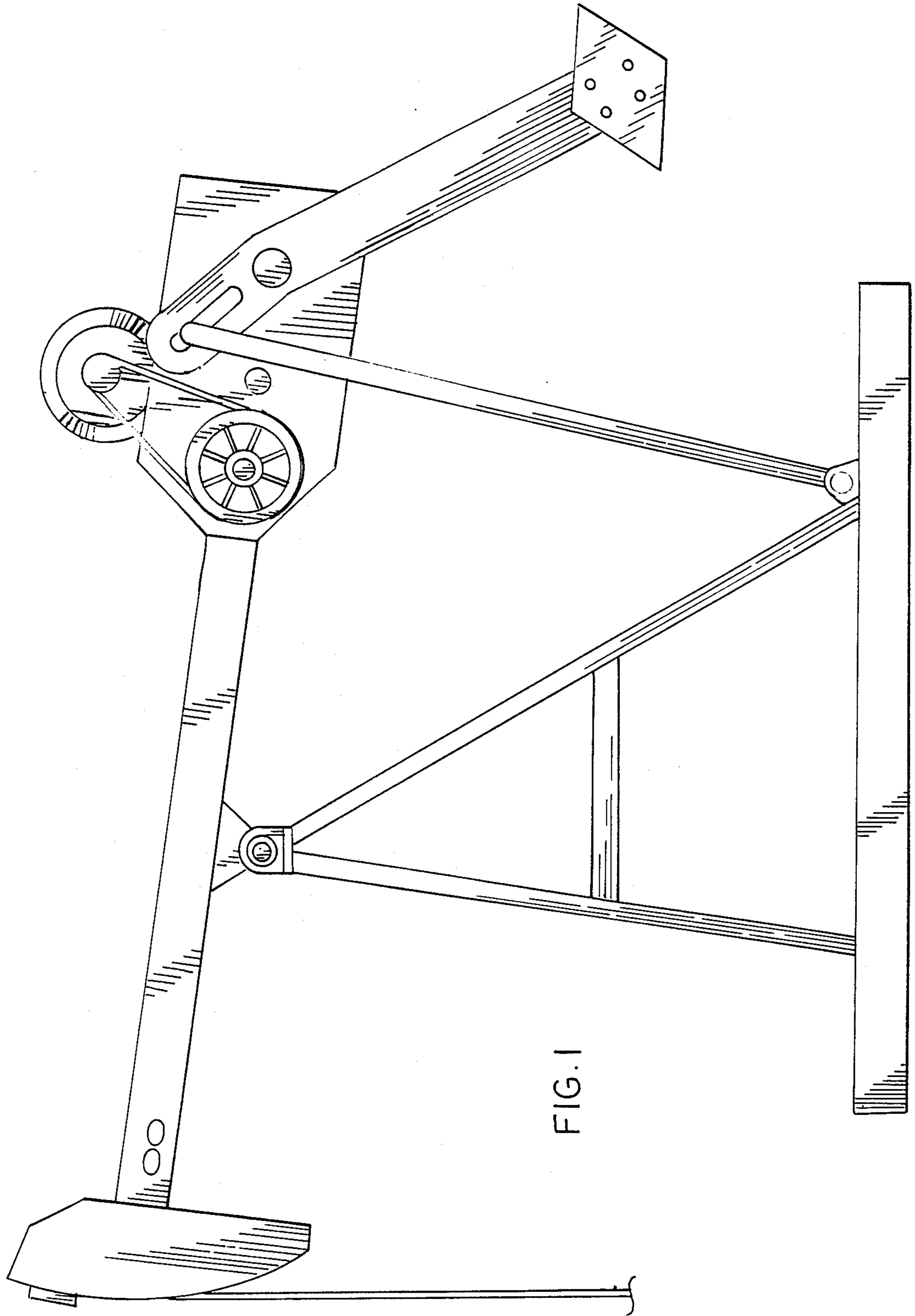
[57] **CLAIM**

The ornamental design for a pumping unit for oil wells or the like, as shown and described.

DESCRIPTION

FIG. 1 is a side elevational view of a pumping unit for oil wells or the like showing our new design, the opposite side being substantially similar in appearance; FIG. 2 is a front elevational view thereof; FIG. 3 is a top, front and side perspective view thereof; and FIG. 4 is a rear elevational view thereof.





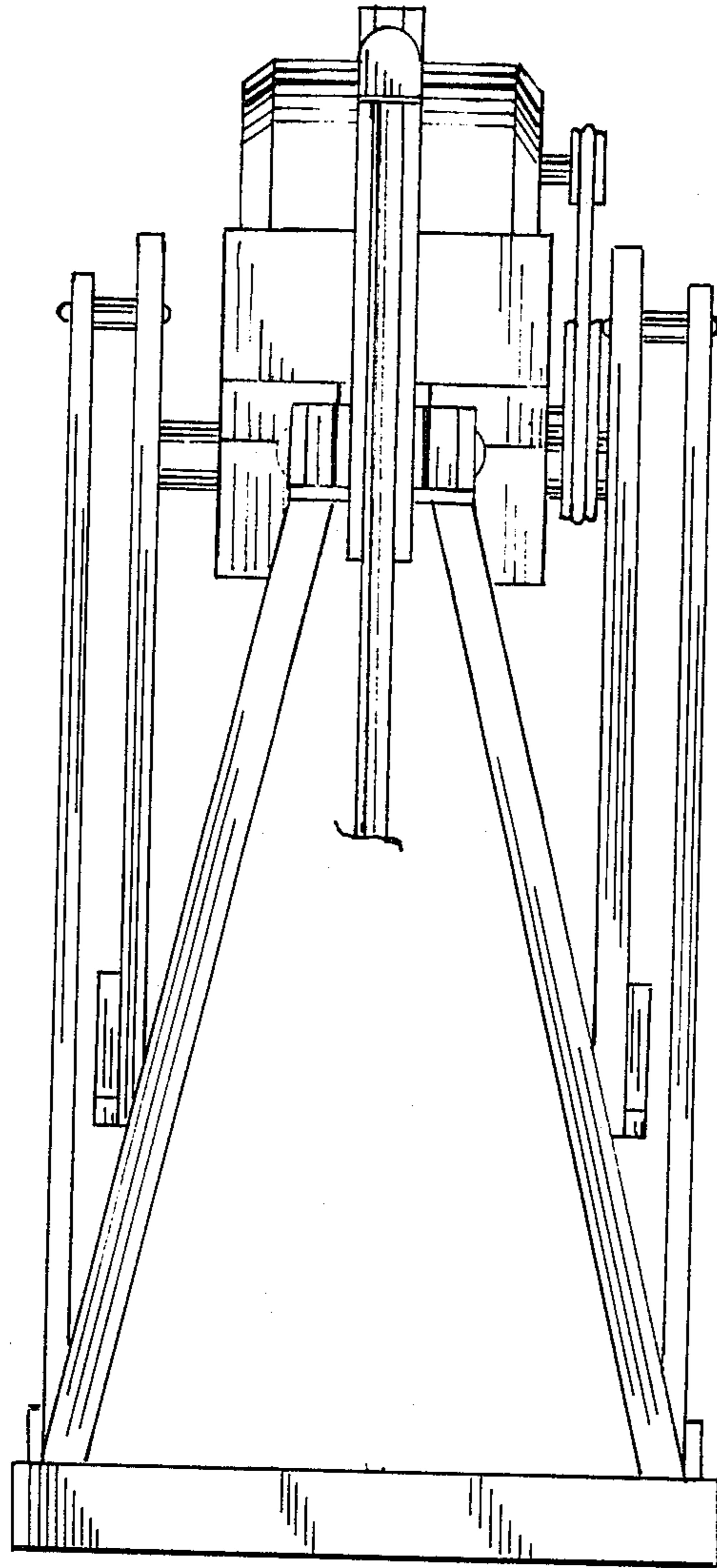


FIG. 2

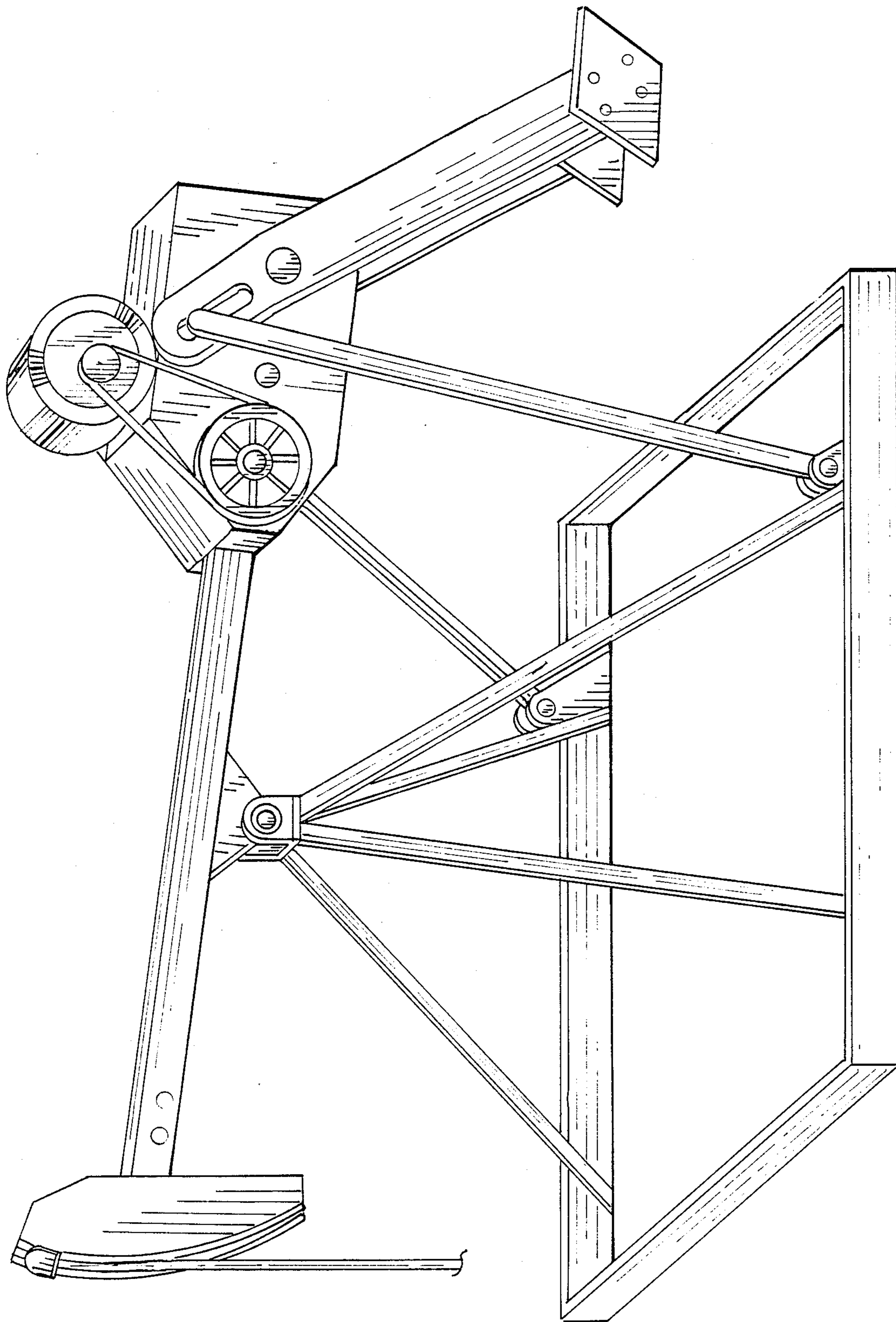


FIG. 3

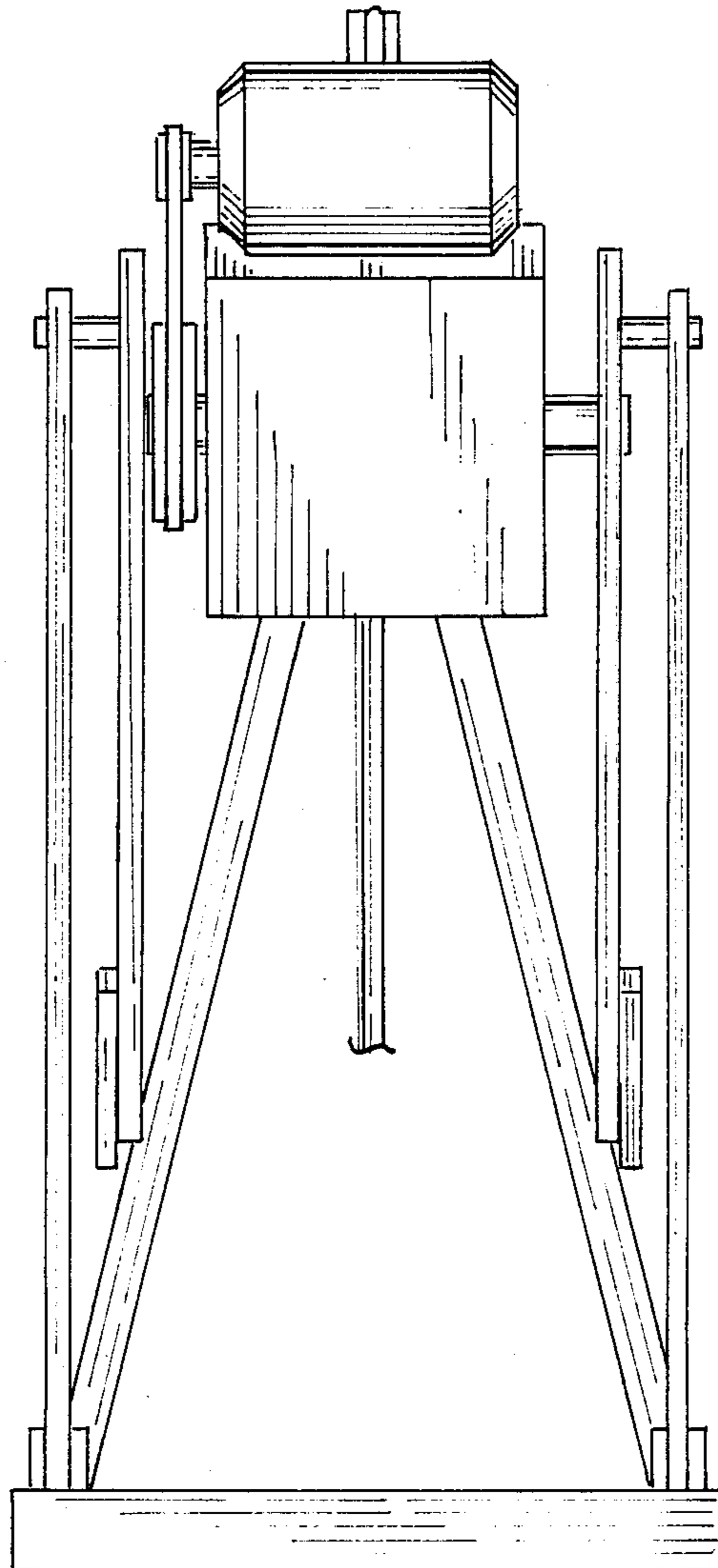


FIG.4