

[54] TELEPHONE SET

[75] Inventor: Kash Gobindram, Farmingdale, N.Y.

[73] Assignee: Kash N' Gold Ltd., Ronkonkoma, N.Y.

[**] Term: 14 Years

[21] Appl. No.: 154,999

[22] Filed: Feb. 9, 1988

[52] U.S. Cl. D14/143; D14/149; D14/248

[58] Field of Search D14/143, 189; D21/111; 379/434, 433, 419, 428, 436, 435, 440

[56] References Cited

U.S. PATENT DOCUMENTS

D. 115,413	6/1939	Lermon	D14/189
D. 191,638	10/1961	Harper	D14/189
D. 196,737	10/1963	Thornell	D21/111
D. 239,865	5/1976	Pinsler et al.	D14/189
D. 260,017	7/1981	Thomas	D14/143
D. 260,888	9/1981	Thomas	D14/143
D. 261,647	11/1981	Thomas	D14/143
D. 269,779	7/1983	Beuilacqua, Jr. et al.	D21/111

D. 276,337	11/1984	Brennan	D14/143
D. 291,570	8/1987	Basch	D14/143
D. 299,231	1/1989	Yeung	D14/143

Primary Examiner—Horace B. Fay, Jr.
Attorney, Agent, or Firm—Cooper & Dunham

[57] CLAIM

The ornamental design for telephone set, as shown and described.

DESCRIPTION

FIG. 1 is a left side elevational view of a telephone set showing my new design, the side opposite being a mirror image thereof;

FIGS. 2 and 3 are respectively top and bottom plan views of the set in mated assembly;

FIGS. 4 and 5 are respectively front and rear elevational views thereof;

FIG. 6 is a bracket associated top plan view of the telephone stand unit, and a bottom plan view of the handset unit inverted and spaced apart from the stand; and

FIG. 7 is a right side elevational view of the handset unit shown alone for clarity of illustration, the side opposite being a mirror image thereof.

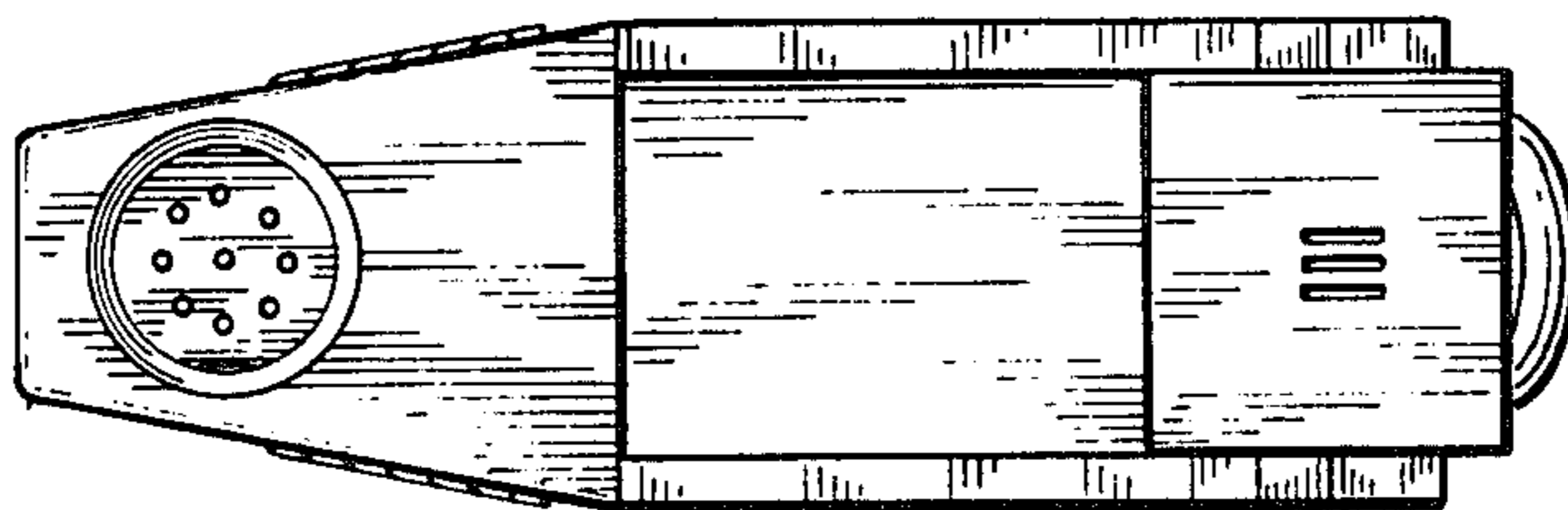
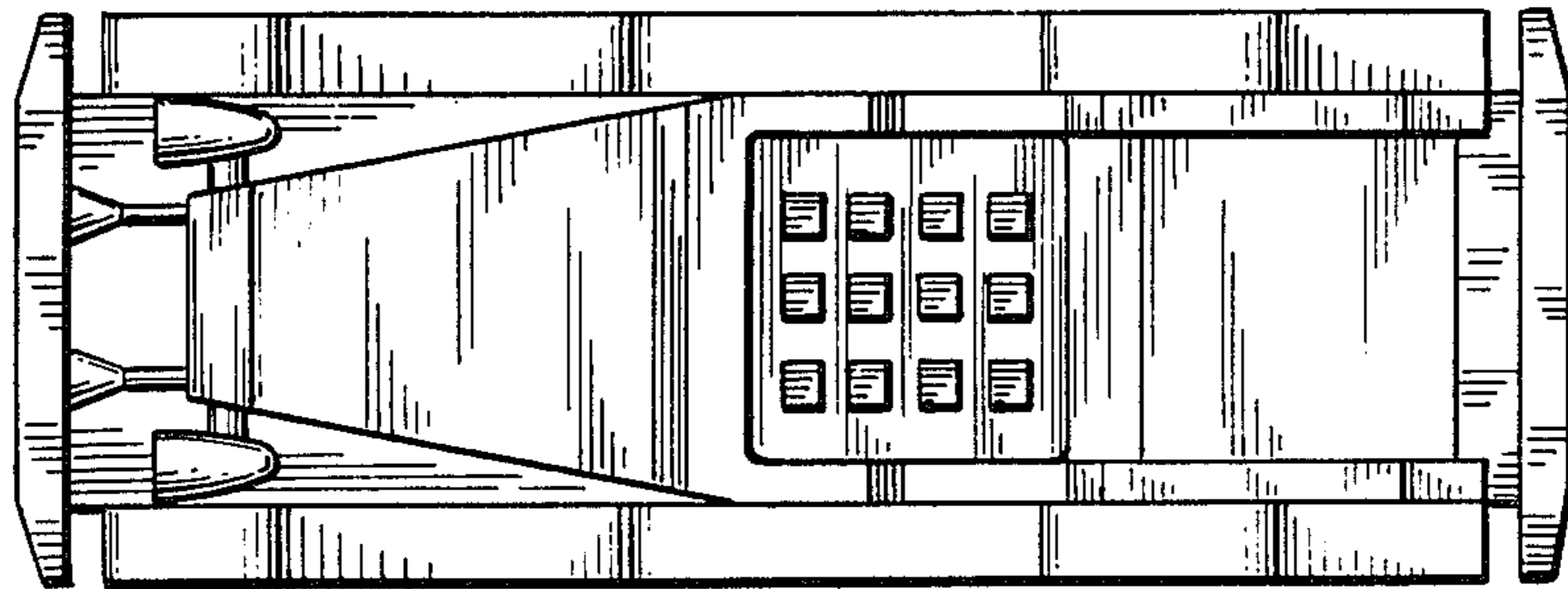
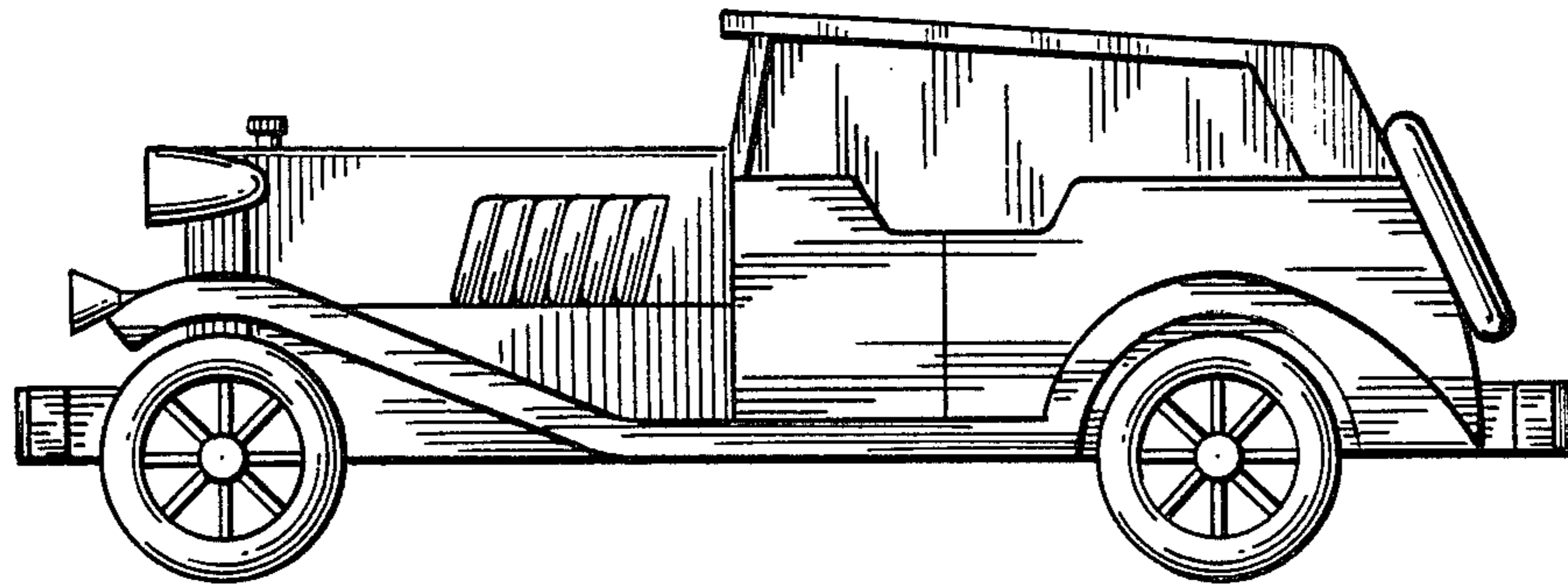


Fig. 1.

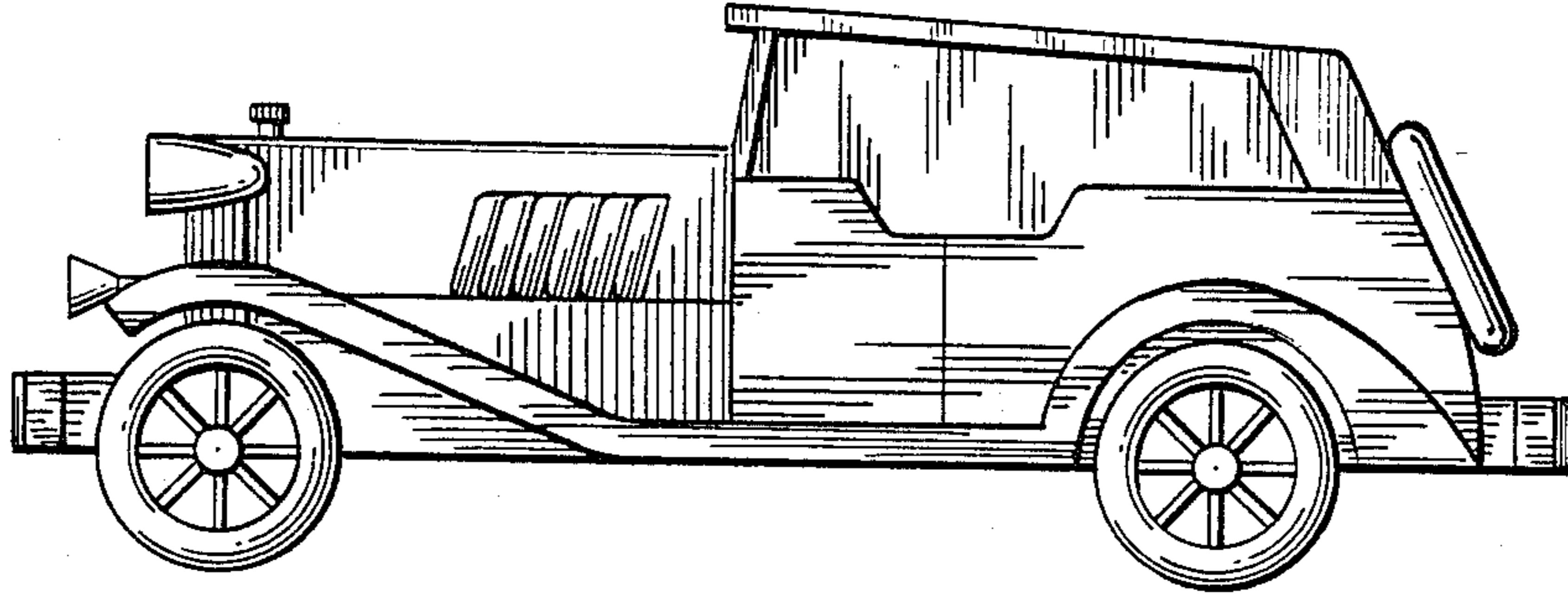


Fig. 2.

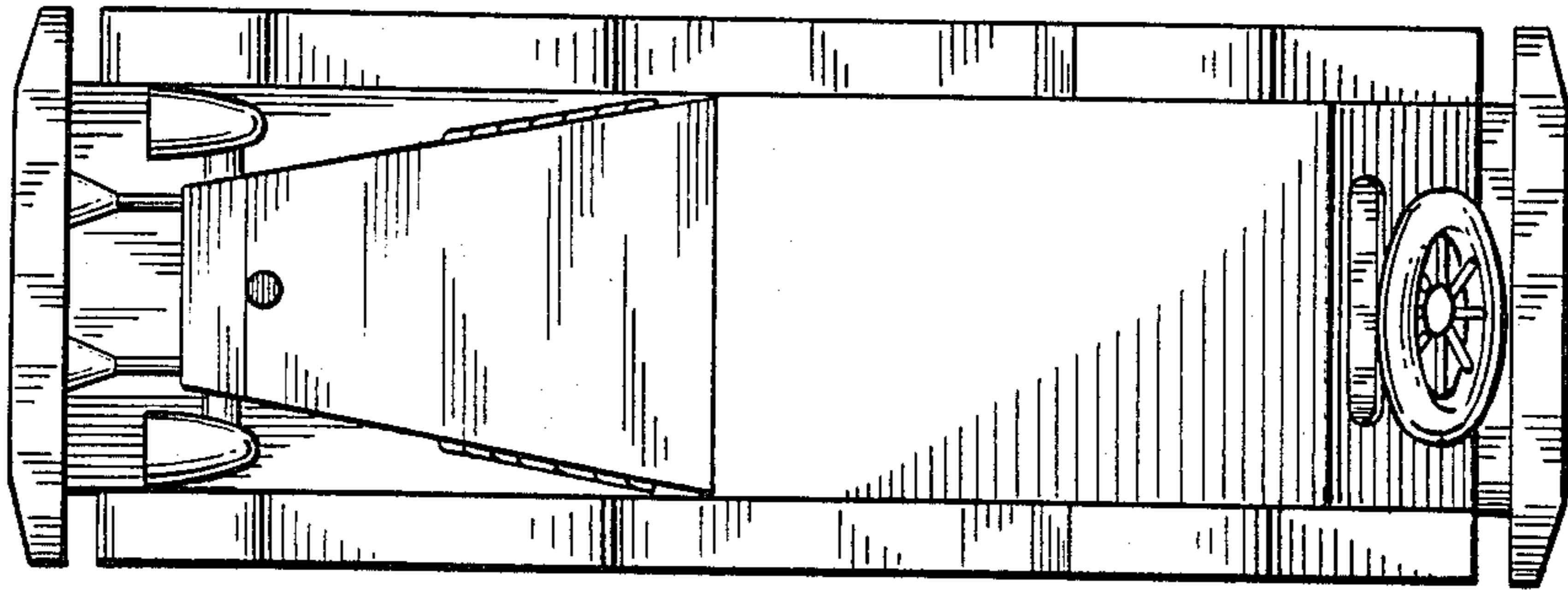


Fig. 3.

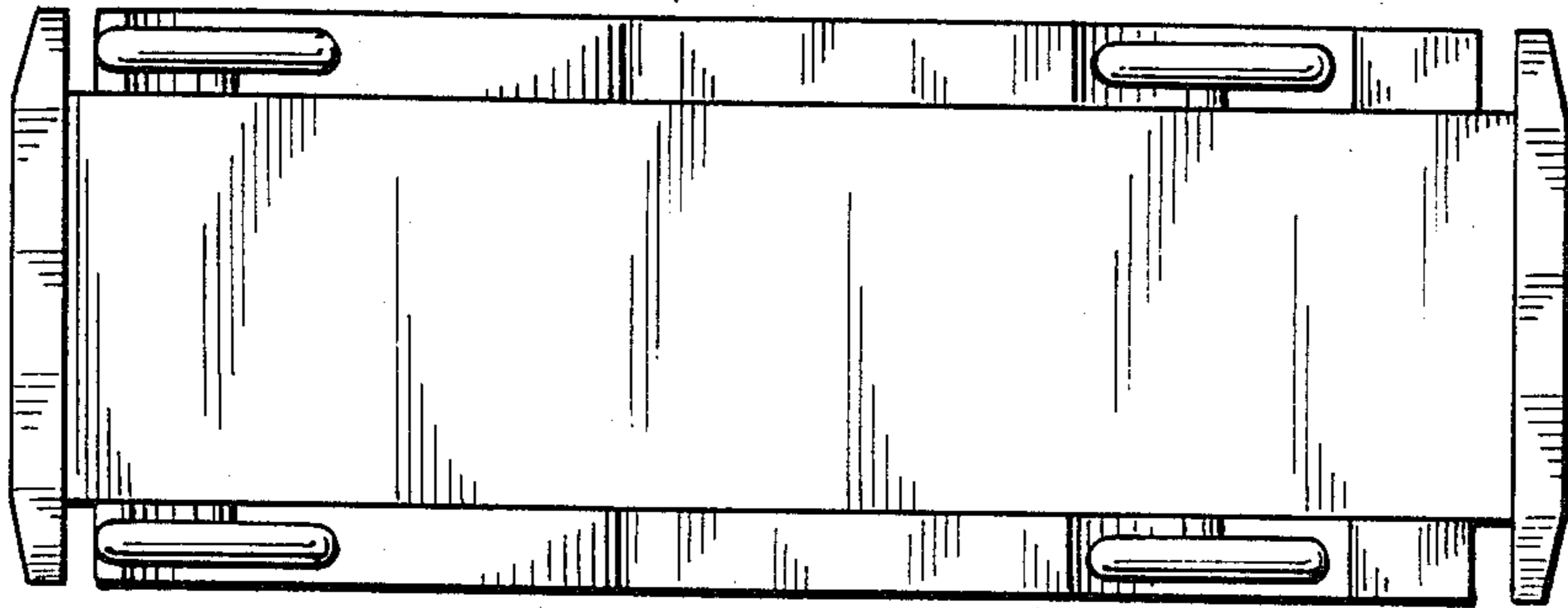


Fig. 4.

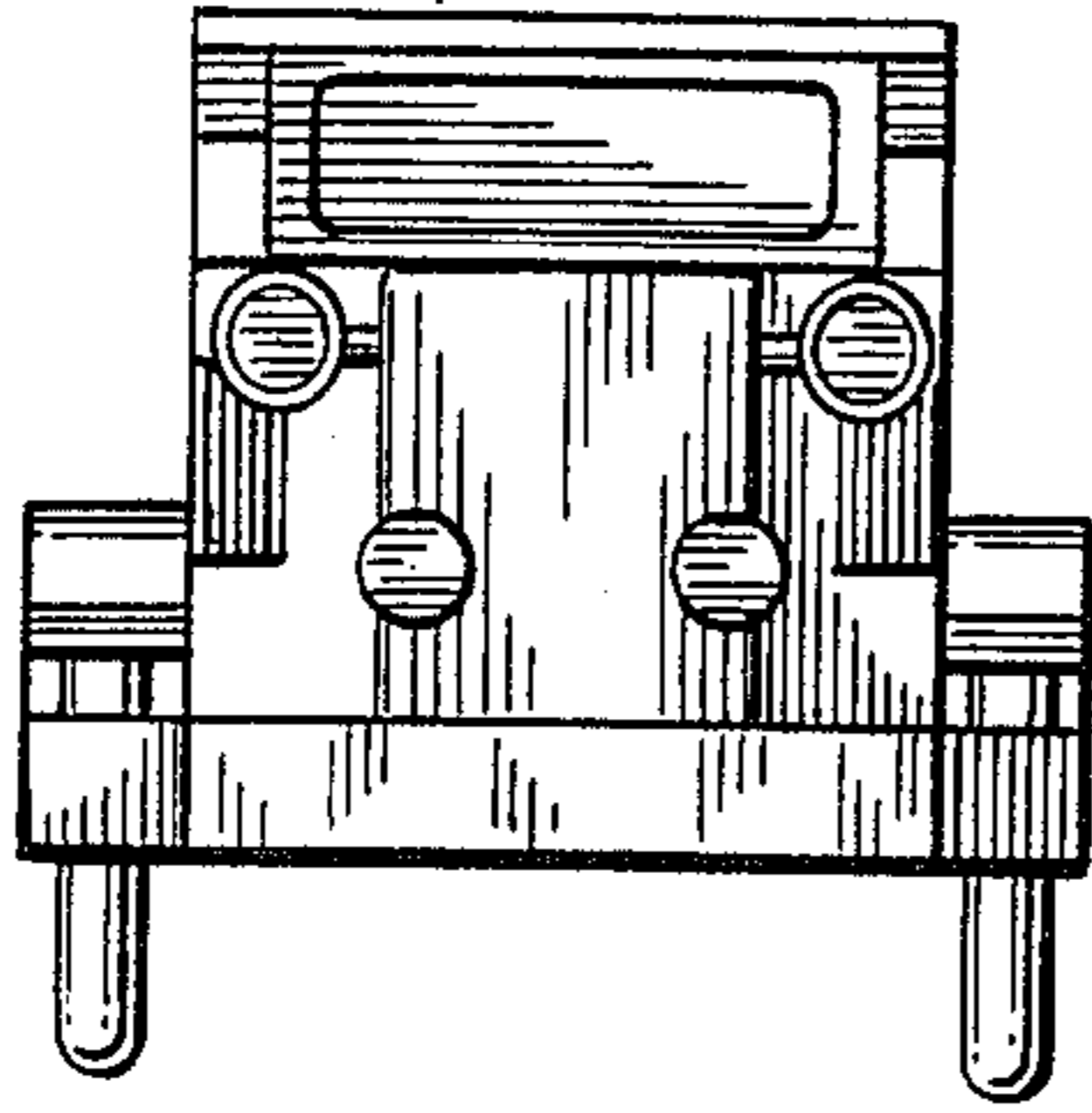


Fig. 5.

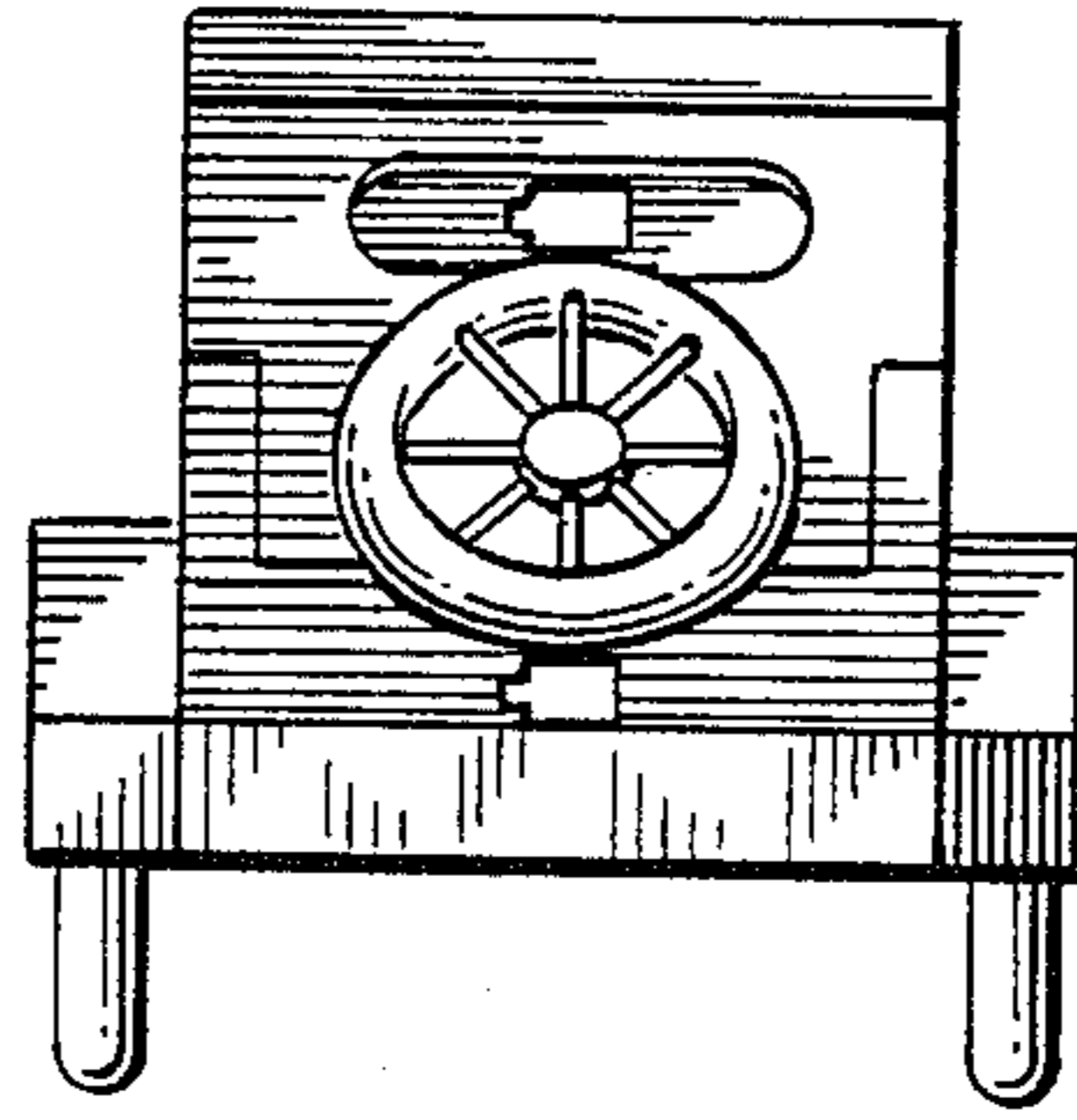


Fig. 6.

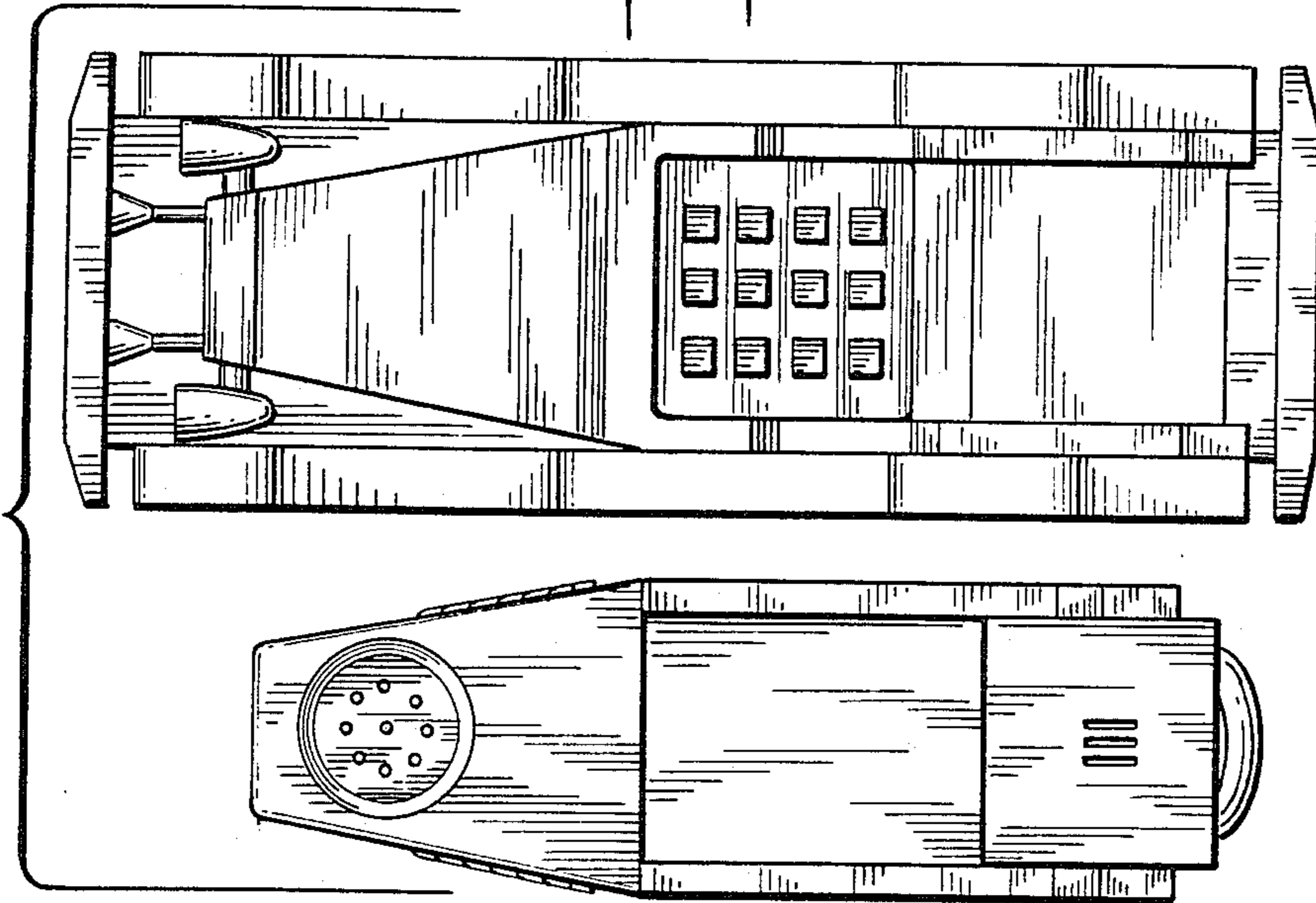


Fig. 7.

