

[54] HOUSING FOR A RADIO TELEPHONE HANDSET

[75] Inventor: Patrick J. K. Deighan, Cincinnati, Ohio

[73] Assignee: General Electric Company, Lynchburg, Va.

[**] Term: 14 Years

[21] Appl. No.: 178,936

[22] Filed: Apr. 7, 1988

[52] U.S. Cl. D14/138; D14/137

[58] Field of Search D14/138, 137, 140, 142, D14/144, 147, 148; 379/433, 419, 428, 435, 436, 440, 58, 59; 455/89, 90

[56] References Cited

U.S. PATENT DOCUMENTS

- D. 264,465 5/1982 Mackenzie D14/147
- D. 271,491 11/1983 Taylor D14/138
- D. 280,895 10/1985 Kao D14/147
- D. 280,986 10/1985 Kao D14/147
- D. 283,707 5/1986 Goodin et al. D14/138

- D. 286,778 11/1986 Beaumoat D14/138
- D. 291,564 8/1987 Kajita D14/138
- D. 297,009 8/1988 Grambush et al. D14/138
- D. 299,136 12/1988 Taylor D14/138 X
- D. 299,137 12/1988 Soren et al. D14/138 X

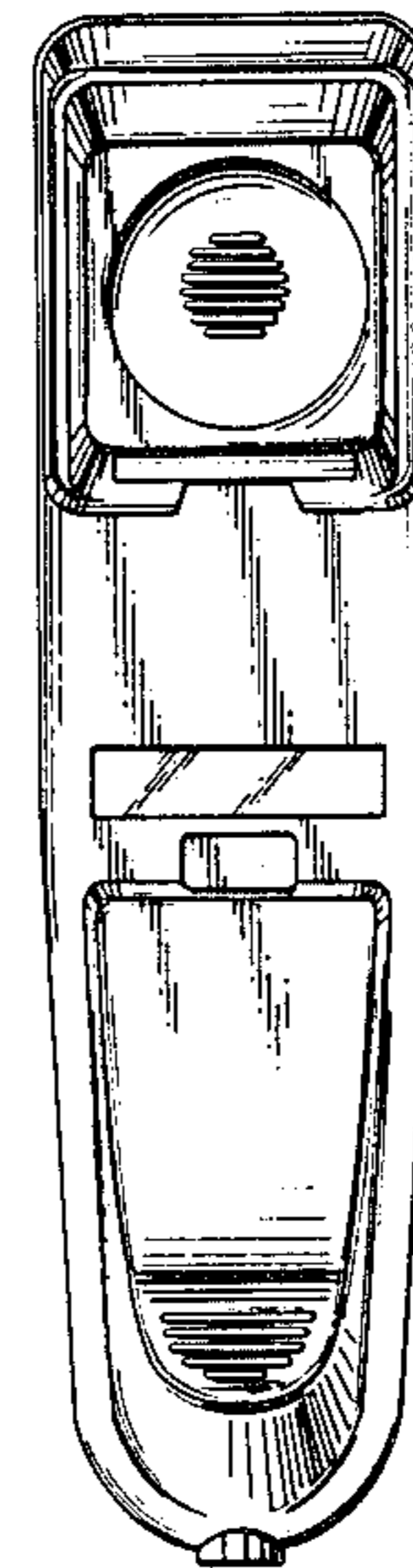
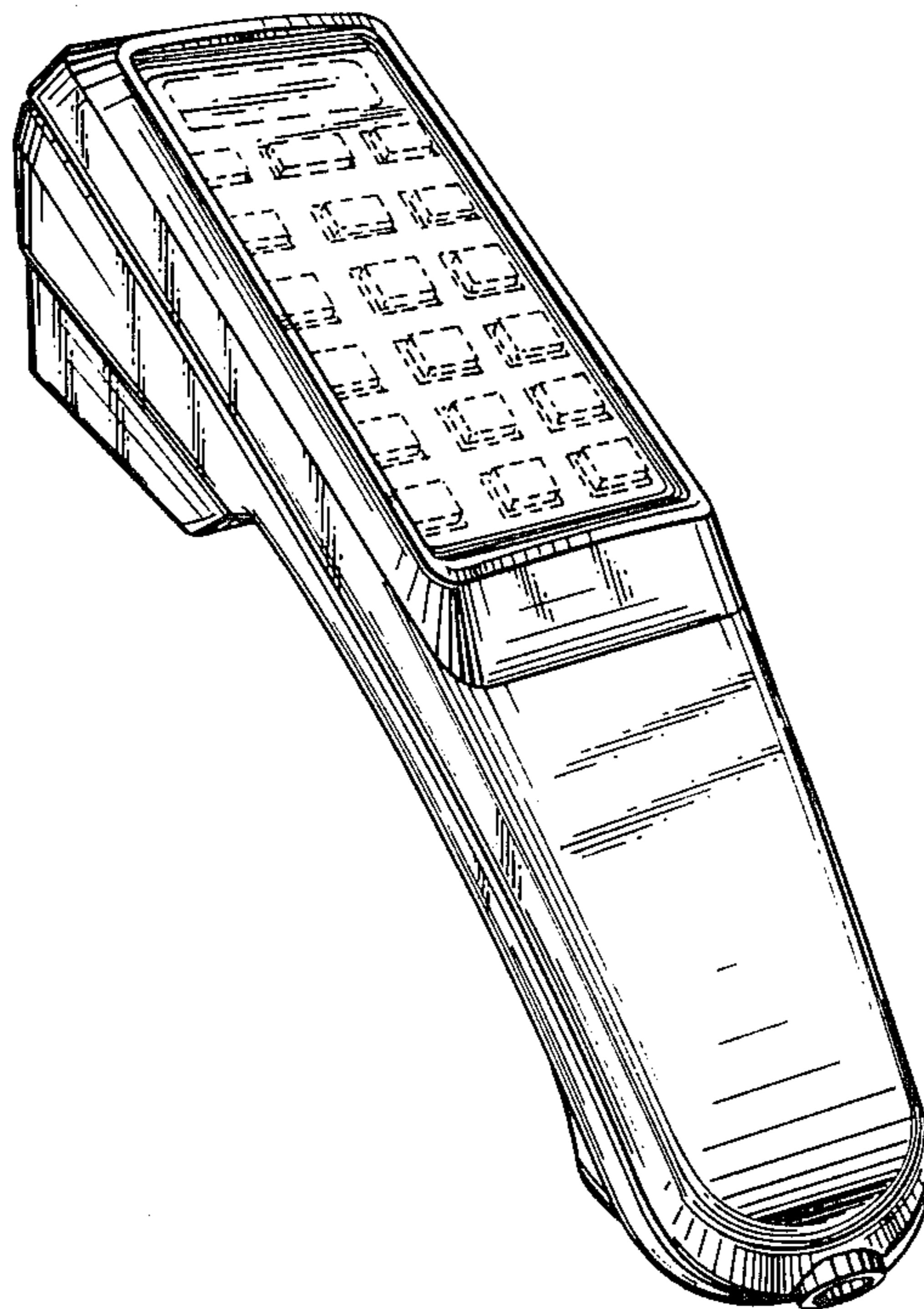
Primary Examiner—Horace B. Fay, Jr.
Attorney, Agent, or Firm—Nixon & Vanderhye

[57] CLAIM

The ornamental design for a housing for a radio telephone handset, as shown and described.

DESCRIPTION

FIG. 1 is a left side, top and rear end perspective view of a housing for a radio telephone handset; FIG. 2 is a front end elevational view thereof; FIG. 3 is a right side elevational view thereof, the left side elevational view being a mirror image; FIGS. 4 and 5 are respectively bottom and top plan views thereof; and FIG. 6 is a rear end elevational view thereof. The broken line showing of push-button keys and a display panel in FIGS. 1 and 6 is for illustrative purposes only and forms no part of the claimed design.



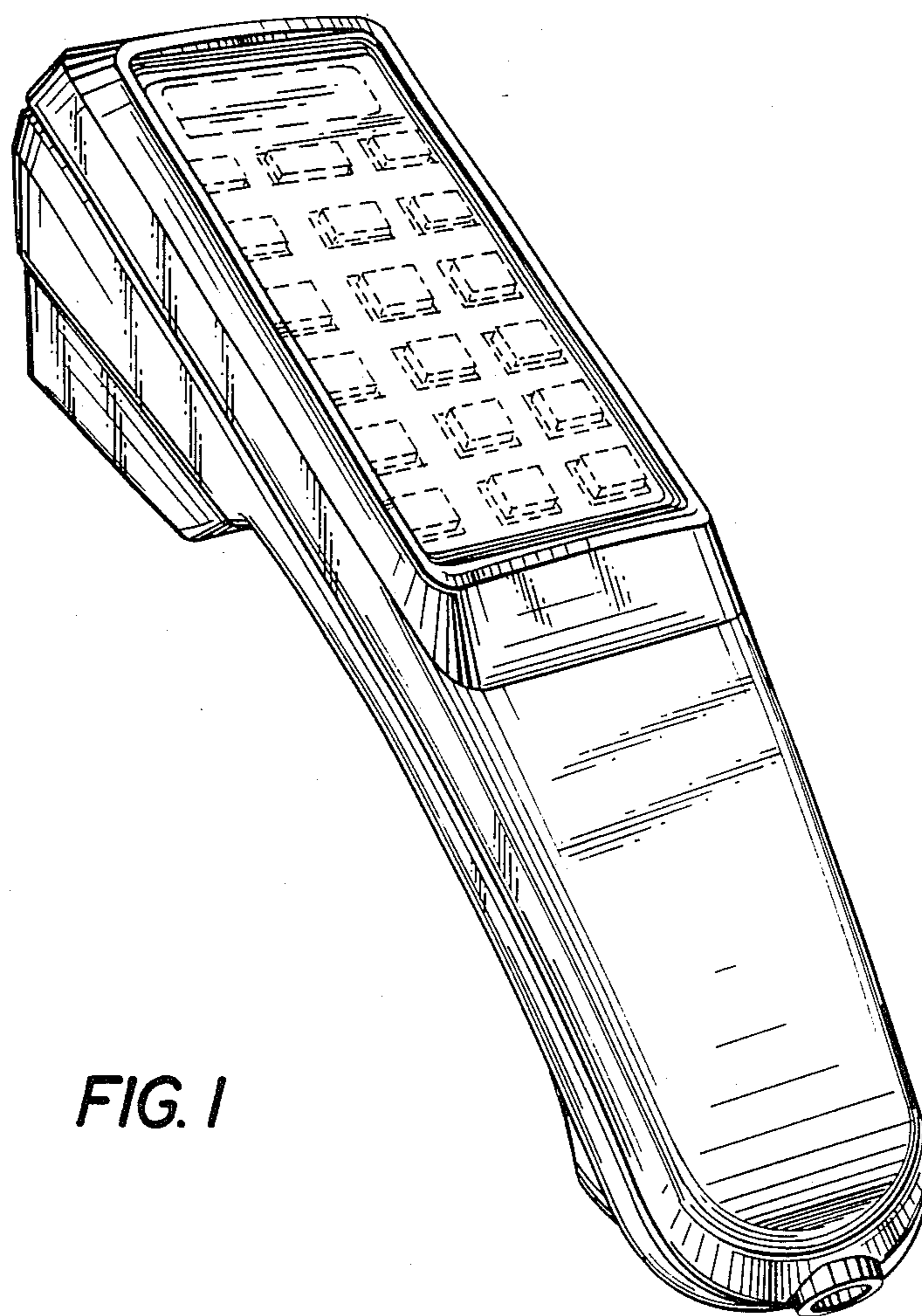


FIG. 1

FIG. 2

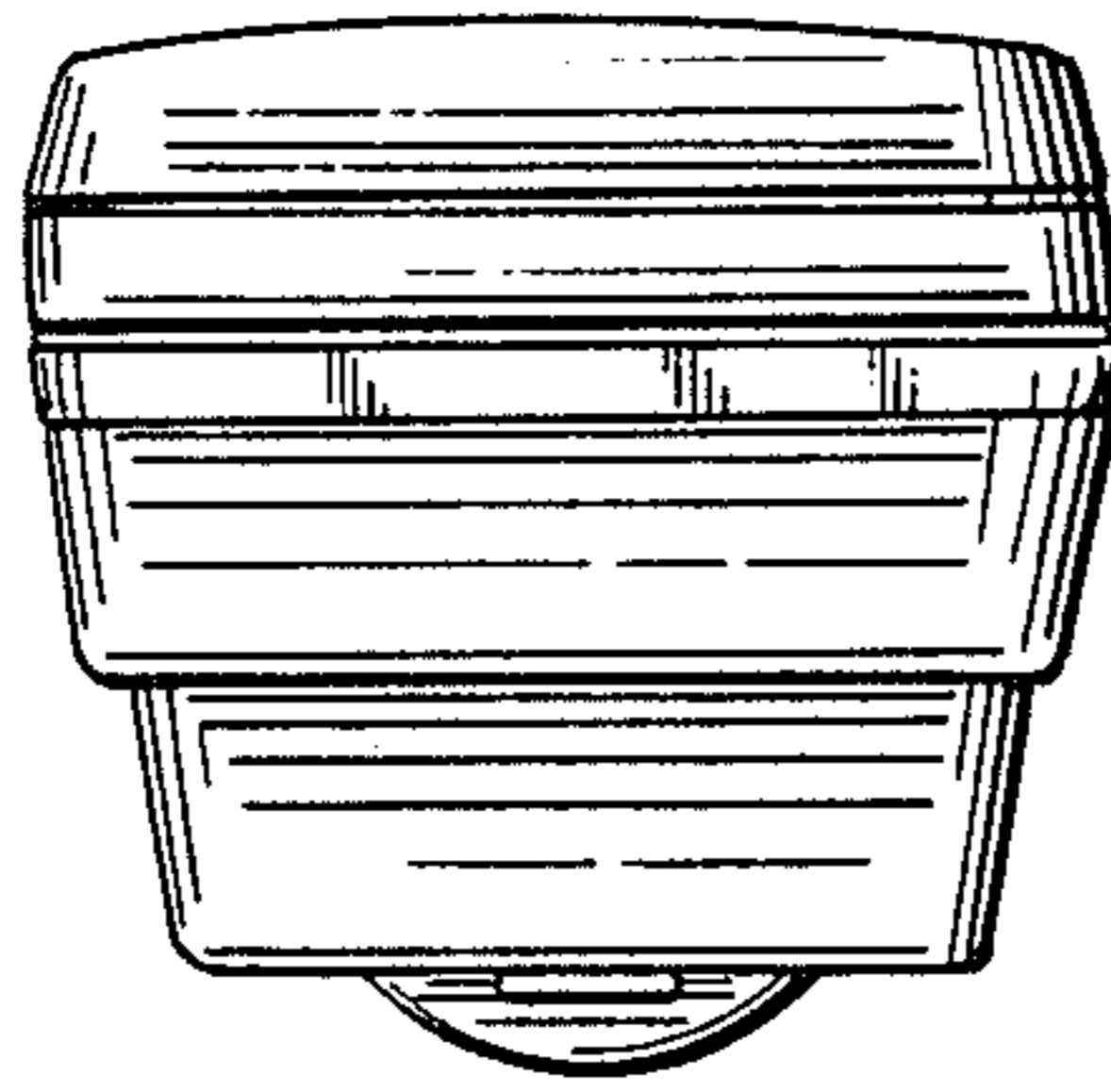


FIG. 3

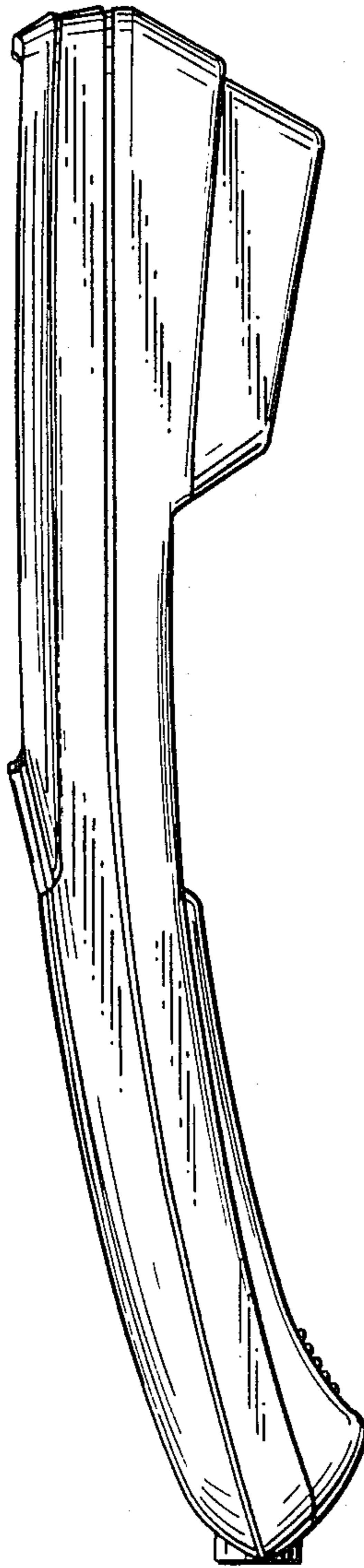


FIG. 4

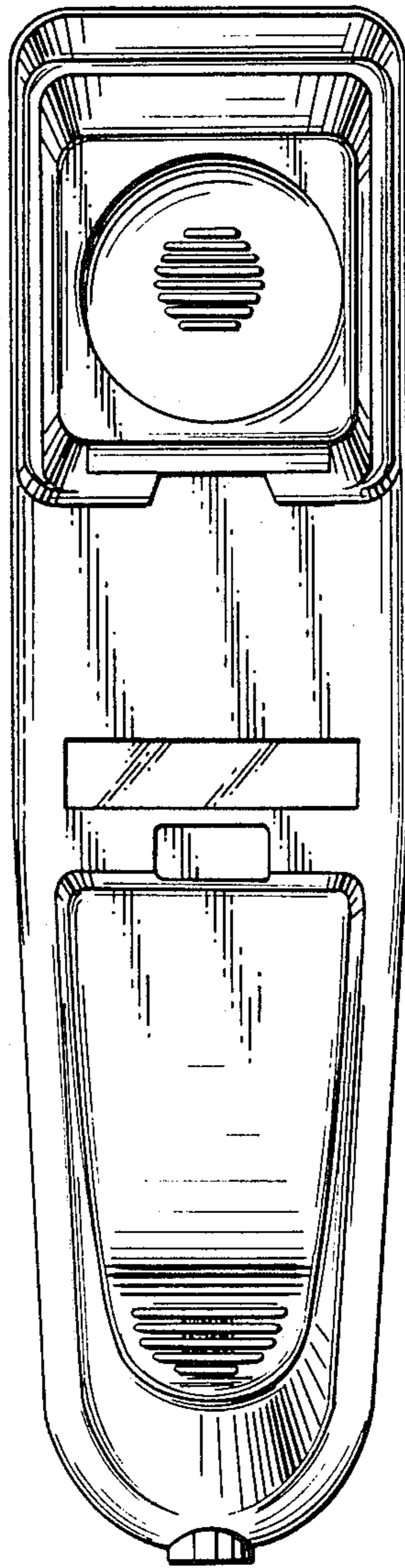


FIG. 5

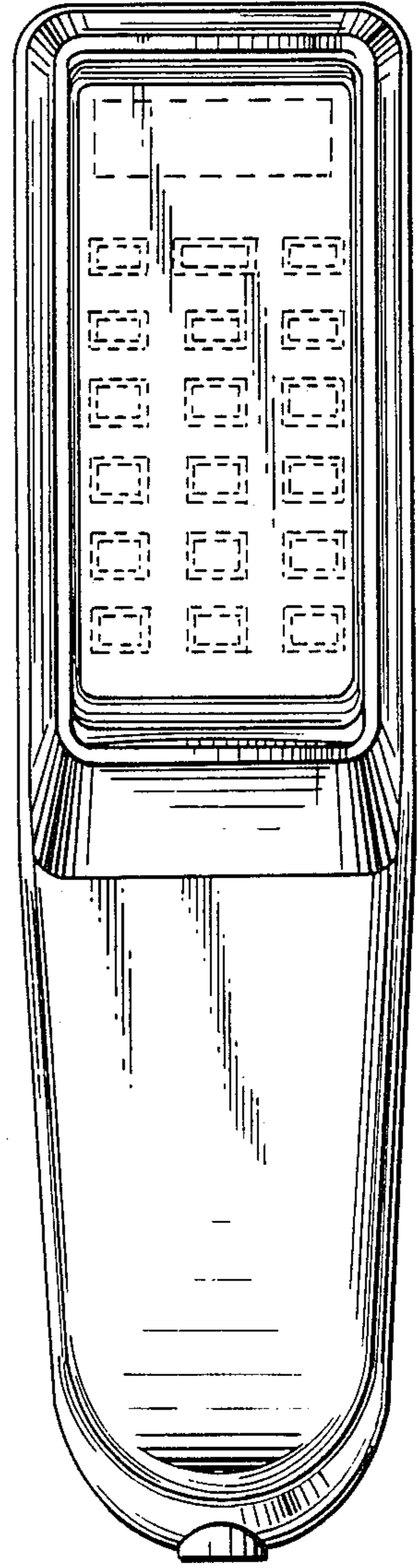


FIG. 6

