

[54] TELEVISION RECEIVER

D. 289,756 5/1987 Suzuki et al. D14/126

[75] Inventors: Yoshiaki Kawata, Hyogo; Hiroaki Nishiyori, Osaka; Tsugio Akita, Osaka; Mitsunari Fujii, Osaka; Hiroshi Yasuno, Osaka, all of Japan

[73] Assignee: Matsushita Electric Industrial Co., Ltd., Osaka, Japan

[**] Term: 14 Years

[21] Appl. No.: 840,701

[22] Filed: Mar. 3, 1986

[30] Foreign Application Priority Data

Sep. 3, 1985 [JP] Japan 60-37212

[52] U.S. Cl. D14/126

[58] Field of Search D14/125, 126, 128, 129, D14/131; D16/225, 229; 358/254, 255, 236

[56] References Cited

U.S. PATENT DOCUMENTS

- D. 272,908 3/1984 Matsuo D14/126
- D. 278,628 4/1985 Fukasawa et al. D14/126
- D. 279,006 5/1985 Fukasawa et al. D14/126

OTHER PUBLICATIONS

Epson Catalog—May 1985, Pocket Color T.V.; Model ET-30, (lower right corner).

HFD—3/11/85, p. 73; Seiko Pocket Color TV.

B. A. Pargh Catalog—Fall/Winter 1985/86; p. 480, Casio Color T.V.; Item: TV1000ECD.

Primary Examiner—Melvin B. Feifer

Assistant Examiner—W. Krawczewicz

Attorney, Agent, or Firm—Sughrue, Mion, Zinn, Macpeak & Seas

[57] CLAIM

The ornamental design for a television receiver, as shown and described.

DESCRIPTION

FIG. 1 is a front, top and right side perspective view of a television receiver showing our new design;

FIG. 2 is a bottom, rear and right side perspective view thereof; and

FIG. 3 is a front, top and left side perspective view thereto, with a pivotable cover in raised position and an antenna in pivoted and partially extended position.

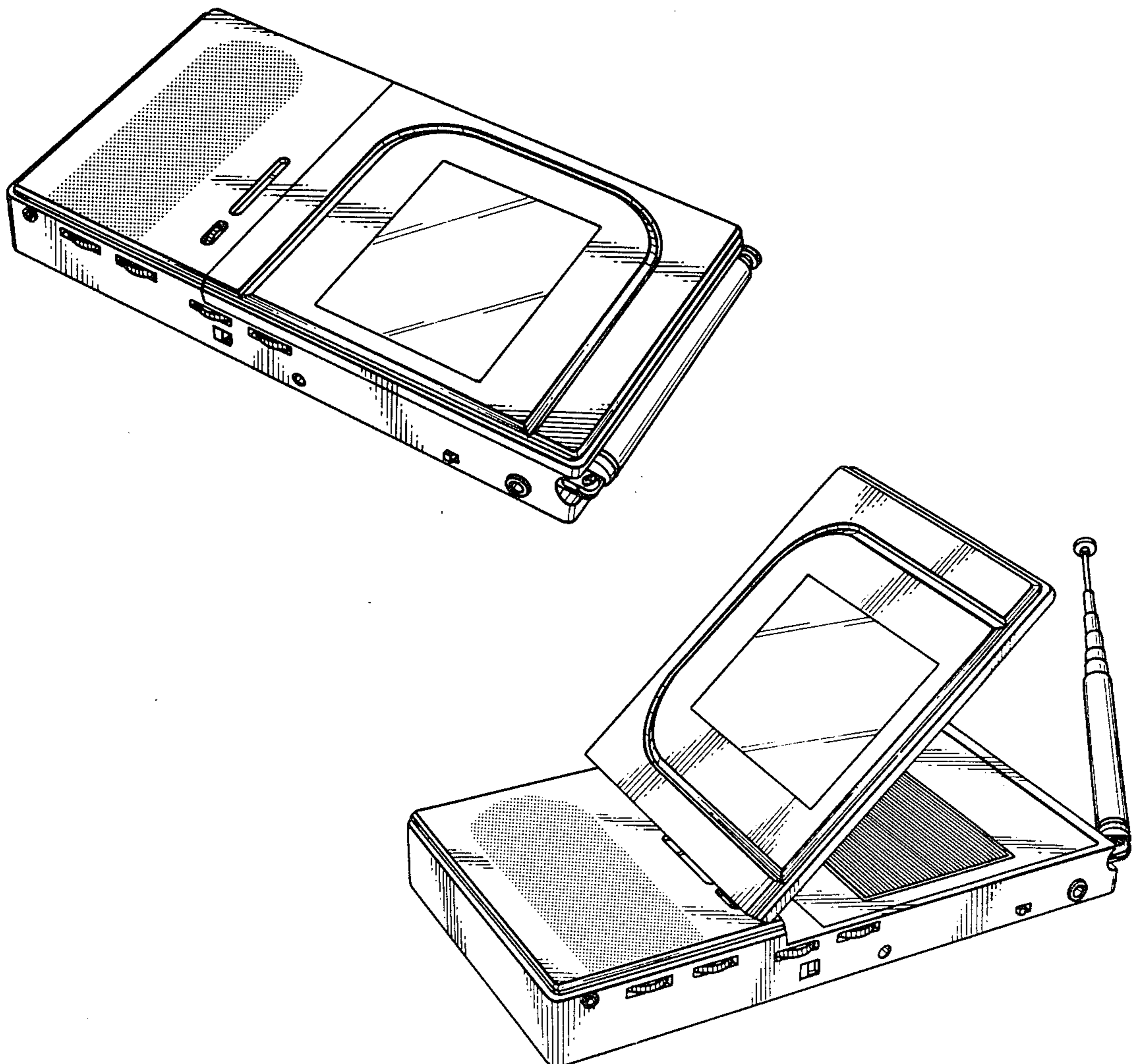


Fig. 1

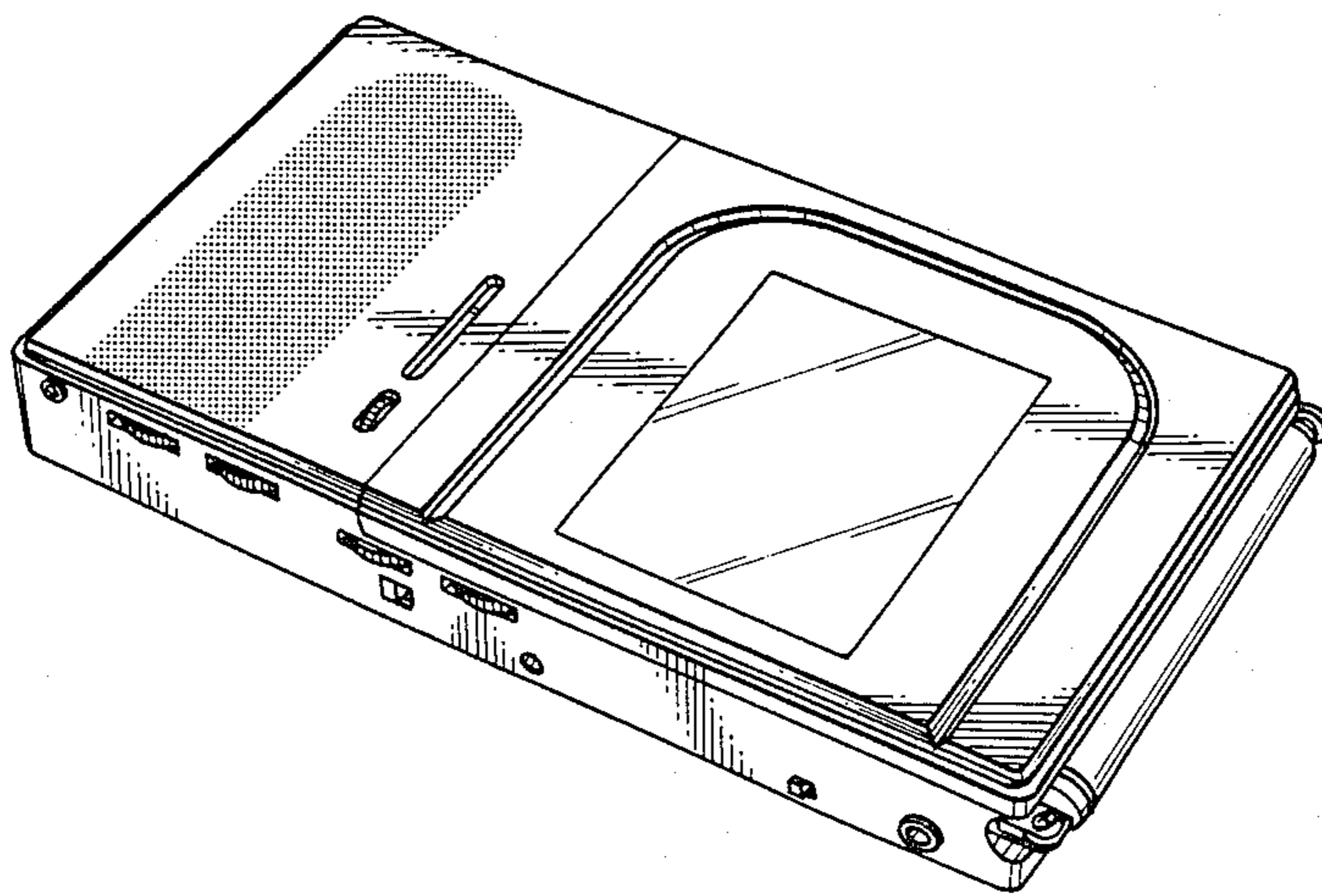


Fig. 2

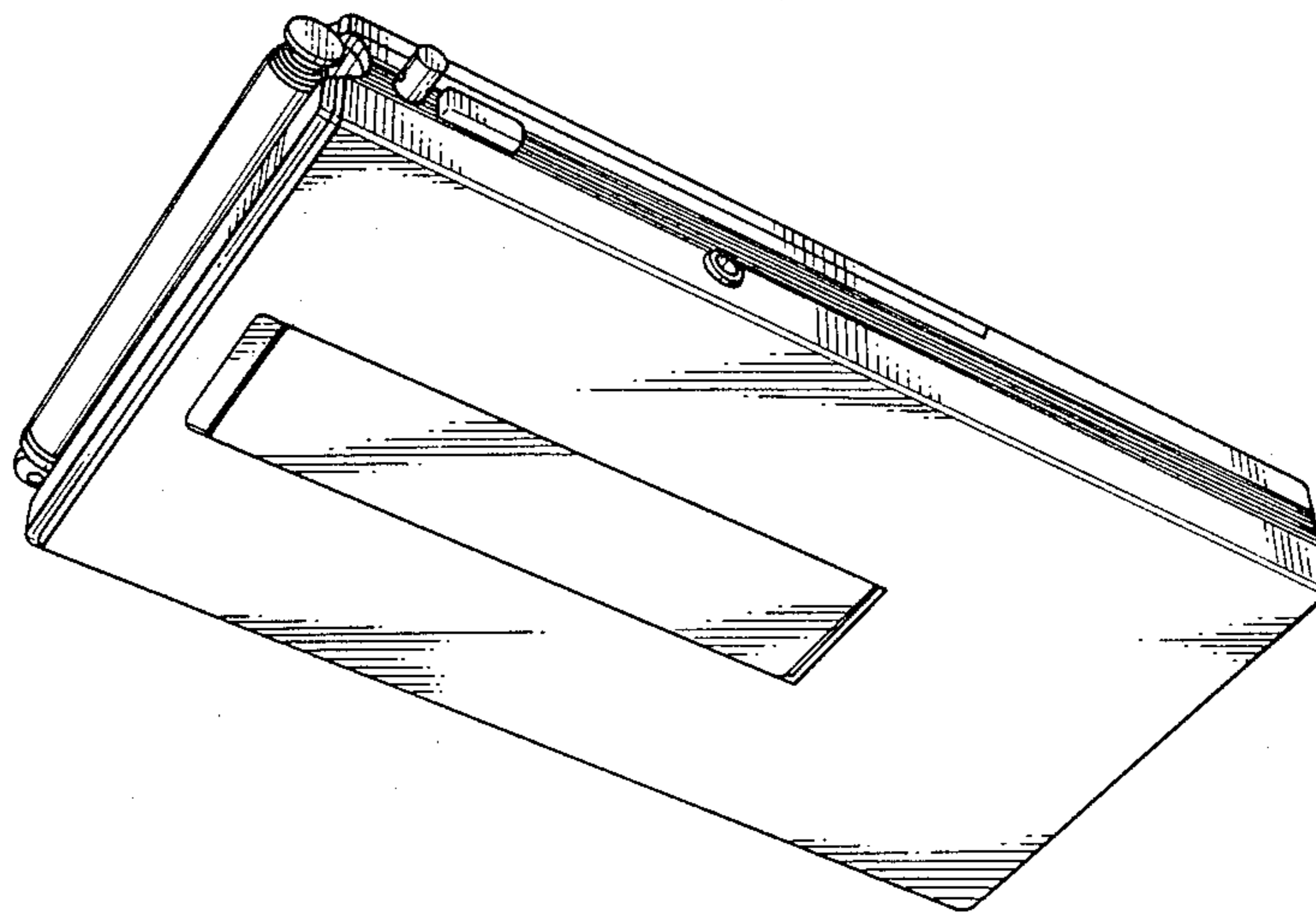


Fig. 3

