

United States Patent [19]

Acciaoli

[11] Patent Number: **Des. 303,253**

[45] Date of Patent: **** Sep. 5, 1989**

[54] **DISK DRIVE**

[75] Inventor: **John V. Acciaoli, Walled Lake, Mich.**

[73] Assignee: **International Business Machines Corporation, Armonk, N.Y.**

[**] Term: **14 Years**

[21] Appl. No.: **29,453**

[22] Filed: **Mar. 30, 1987**

[52] U.S. Cl. **D14/109**

[58] Field of Search **D14/100-105, D14/107, 109; D13/40, 41; 360/97-99, 92, 93, 86, 96.05, 96.06, 132, 133, 135, 137; 361/330-332, 334, 335, 337, 338, 344, 348, 380, 381, 384, 408, 415, 390-395; 369/273, 277, 279, 291, 292, 75.1; 346/41.63; 174/50, 52.1; 206/309, 312, 444; 200/5 A, 5 R, 6 A, 6 R**

[56] **References Cited**

U.S. PATENT DOCUMENTS

D. 249,343 9/1978 Ronzani D14/109 X
D. 286,050 10/1986 Roots et al. D14/109

4,453,188 6/1984 Johnson et al. 360/86 X
4,502,083 2/1985 Bauck et al. 360/99.02

OTHER PUBLICATIONS

Commodore Aug. 24, 1983, p. 5-Vic 1541 Single Disk Drive.

Electronic Design-Apr. 3, 1986, p. 172 Magstripe insert reader.

Primary Examiner—Susan J. Lucas

Assistant Examiner—Freda S. Nunn

Attorney, Agent, or Firm—John H. Holcombe

[57] **CLAIM**

The ornamental design for a disk drive, as shown and described.

DESCRIPTION

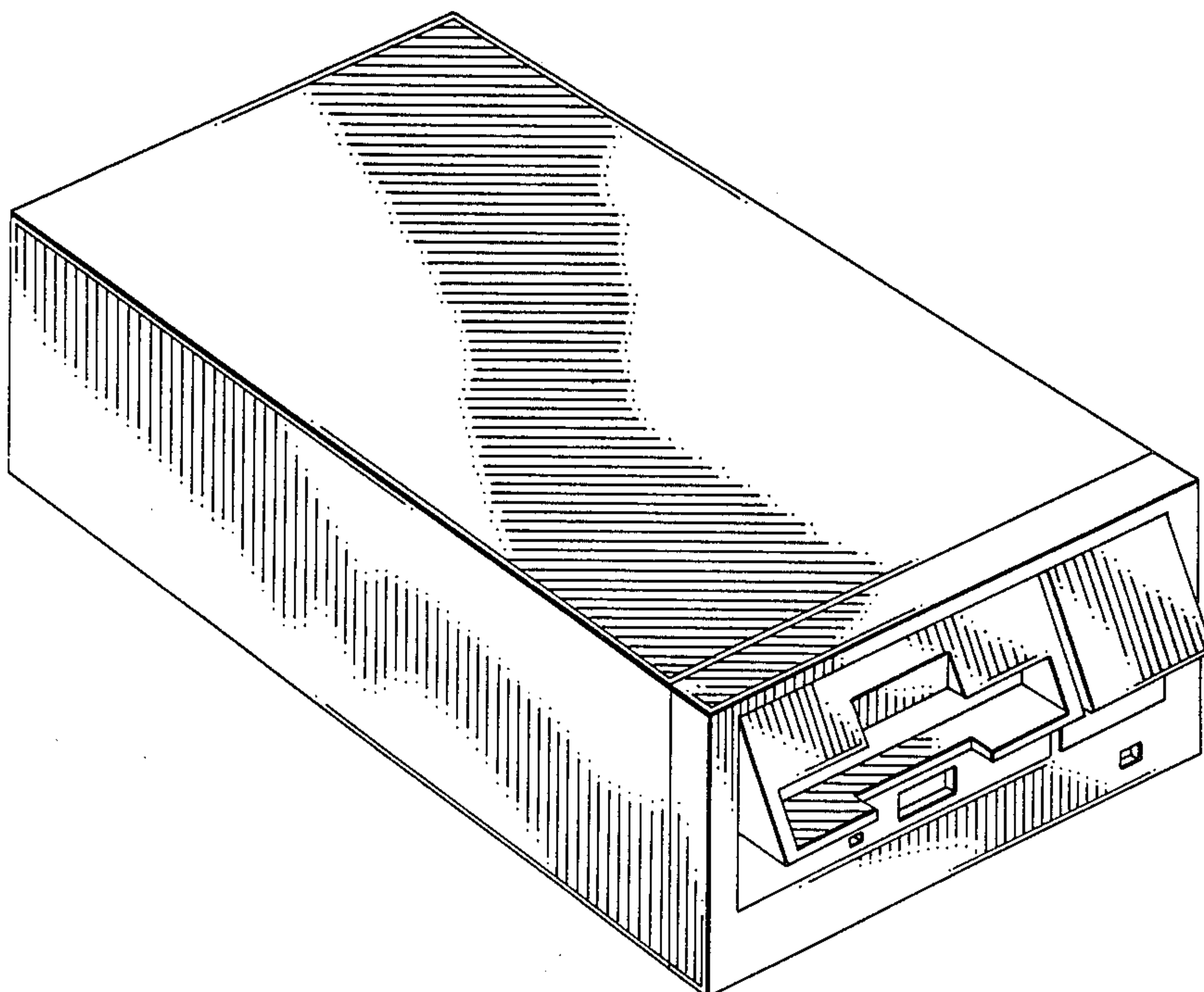
FIG. 1 is a top, front, left side isometric view of a disk drive showing my new design;

FIG. 2 is a front elevational view thereof;

FIG. 3 is a rear elevational view thereof;

FIG. 4 is a bottom plan view thereof;

FIG. 5 is a right side elevational view thereof, the left side being a mirror image.



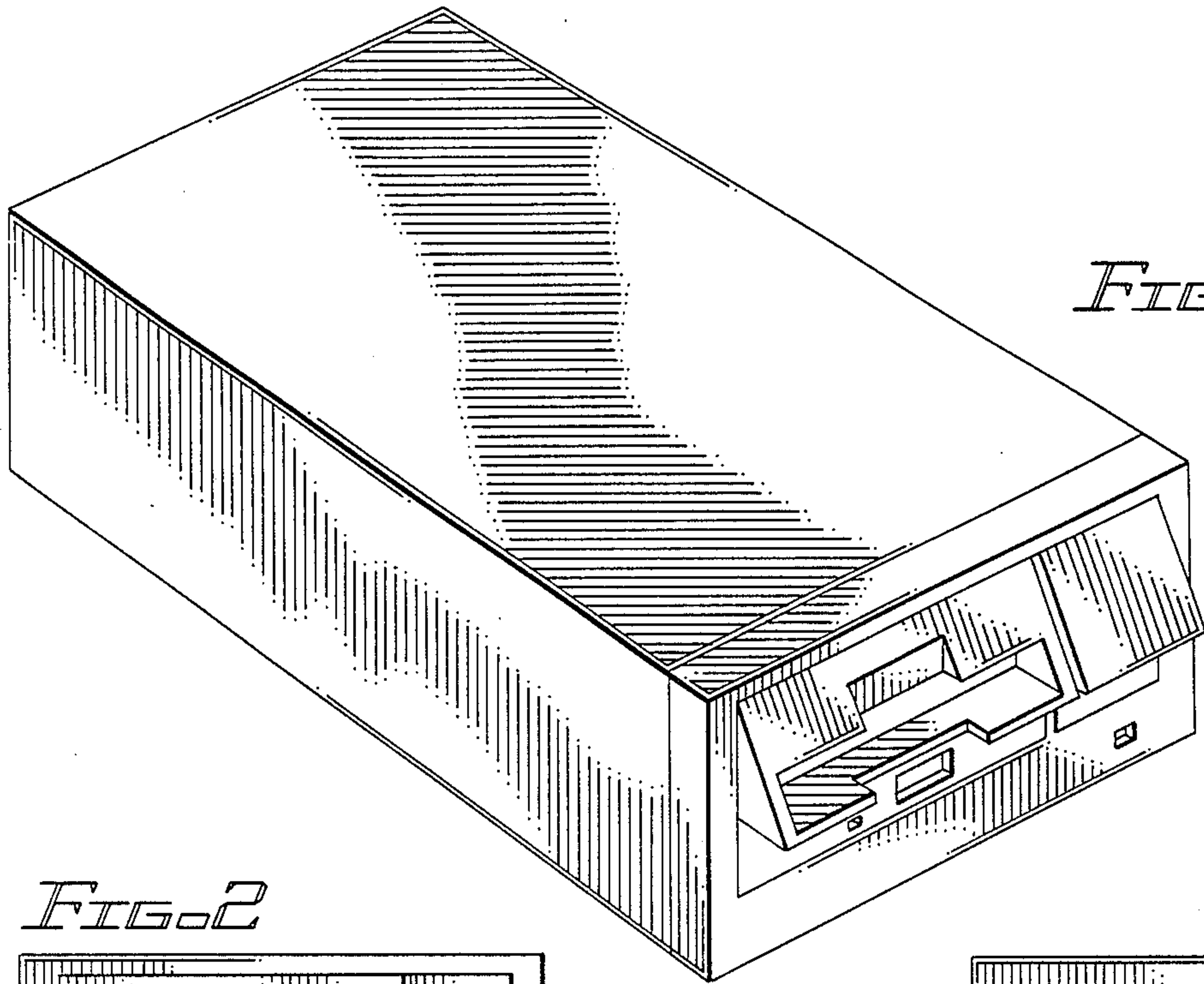


FIG. 1

FIG. 2

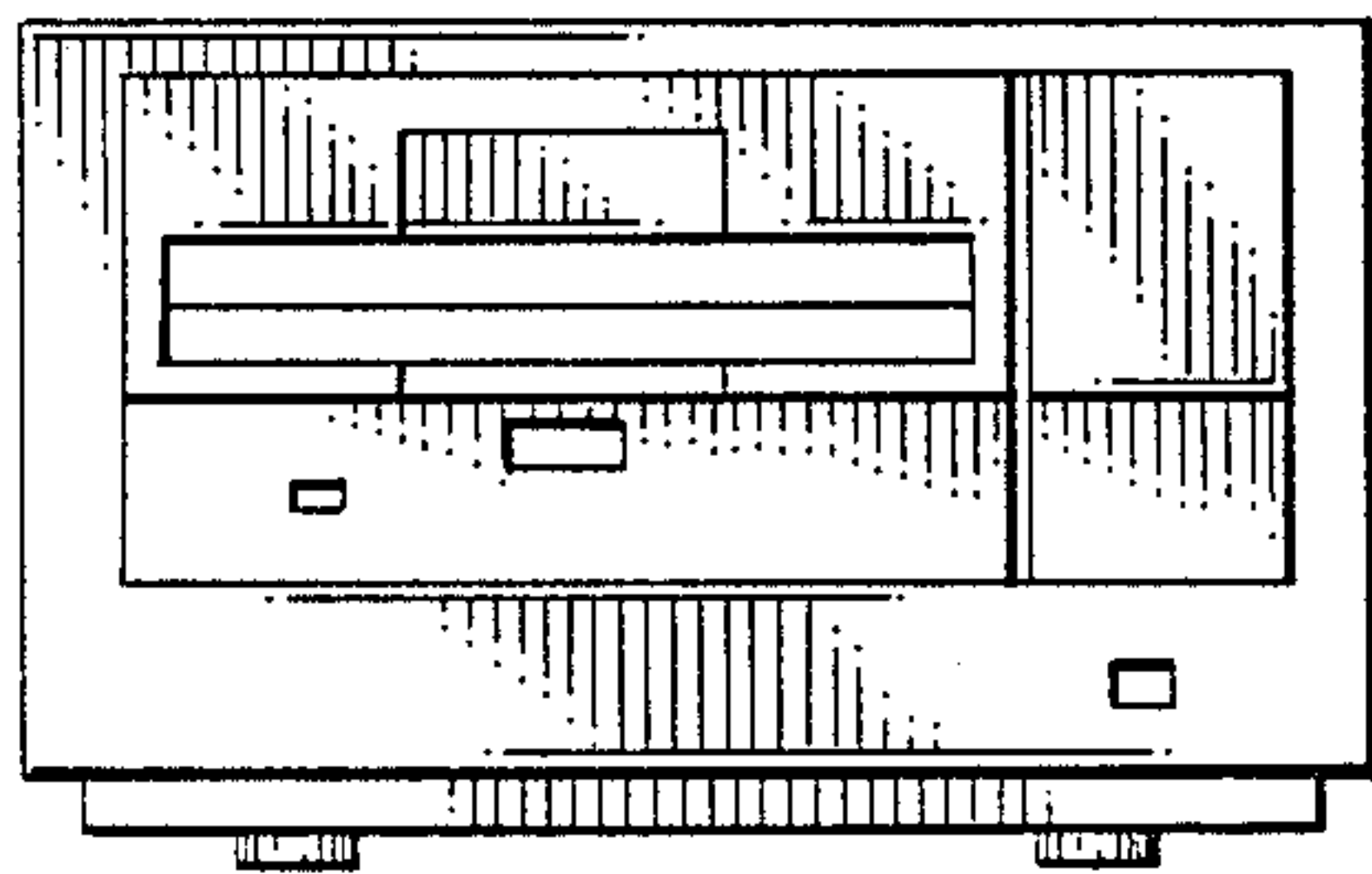


FIG. 3

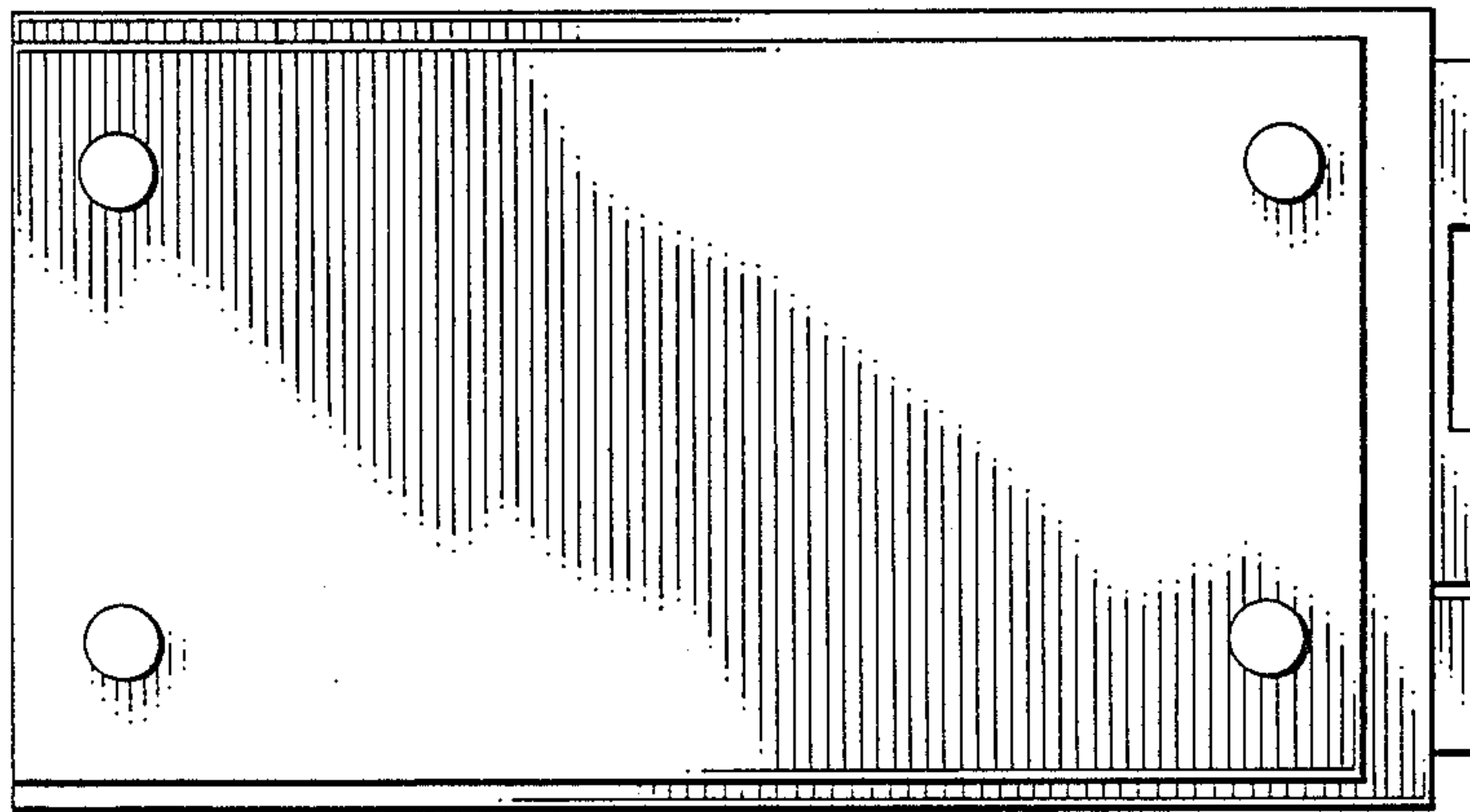
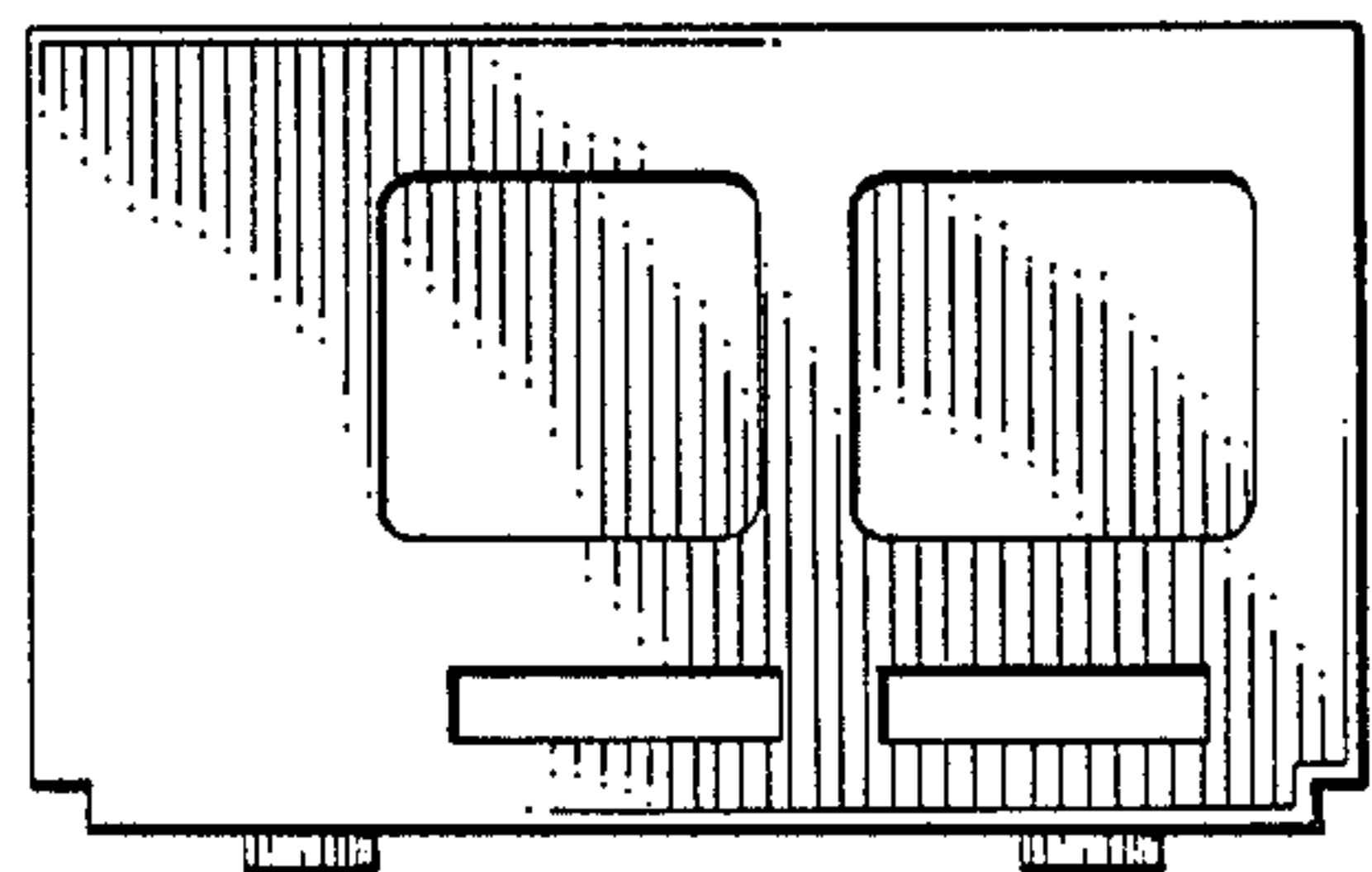


FIG. 4

FIG. 5

