

- [54] **DATA TRANSMISSION MODEM OR SIMILAR ARTICLE**
- [75] **Inventor: Daniel Shih, Taipei, Taiwan**
- [73] **Assignee: Spring Circle Computer Inc., Taipei, Taiwan**
- [\*\*] **Term: 14 Years**
- [21] **Appl. No.: 940,631**
- [22] **Filed: Dec. 11, 1986**
- [52] **U.S. Cl. .... D14/107**
- [58] **Field of Search ..... D14/100, 107, 106, 102, D14/109, 114; D13/40, 41; 174/50, 52.1; 364/708, 706, 707, 709.01, 709.12; 361/331, 332, 334, 380, 381, 399, 390-395, 415; 360/97-99, 133; 312/208**

- [56] **References Cited**  
**U.S. PATENT DOCUMENTS**  
D. 262,106 12/1981 Frassanito ..... D14/107  
D. 269,345 6/1983 Payne, Jr. et al. .... D14/107  
D. 289,648 5/1987 Felix et al. .... D13/41 X

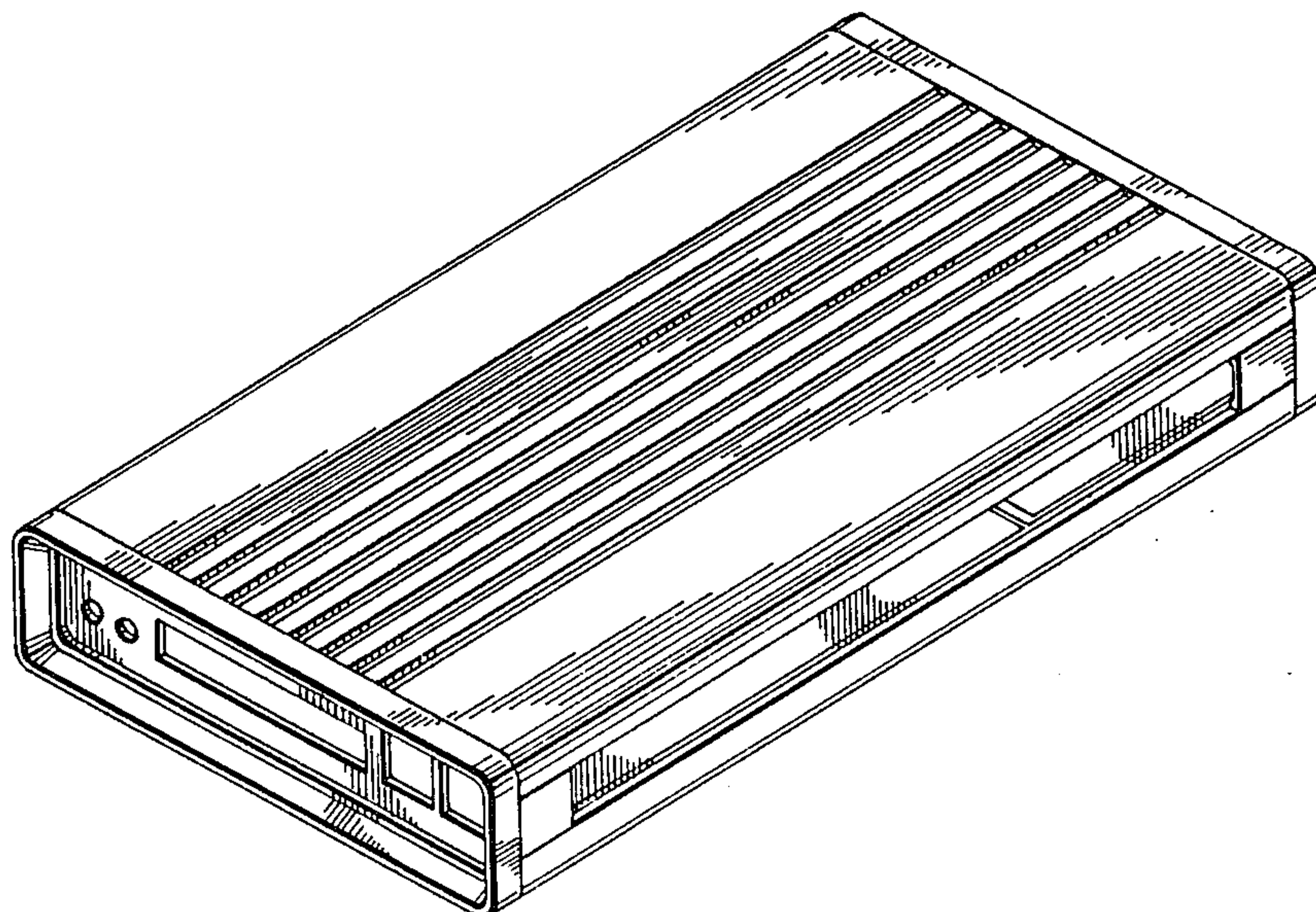
**OTHER PUBLICATIONS**

Government Micro User's Catalog, Winter 1986, vol. 1 No. 3, p. 54 Computer Box Group 290 (Novation 2400-Modem).  
Hong Kong Enterprise 11/84 p. 110 (Photo B-Elec. & Eltek Auto 1200 A Modem).  
*Primary Examiner*—Susan J. Lucas  
*Assistant Examiner*—Freda S. Nunn

[57] **CLAIM**  
The ornamental design for data transmission modem or similar article, as shown and described.

**DESCRIPTION**

FIG. 1 is a right side elevational view of data transmission modem or similar article showing my new design; FIG. 2 is a left side elevational view thereof; FIG. 3 is a front elevational view thereof; FIG. 4 is a rear elevational view thereof; FIG. 5 is a top plan view thereof; FIG. 6 is a bottom plan view thereof; and FIG. 7 is a top, front, right side perspective view thereof on a reduced scale.



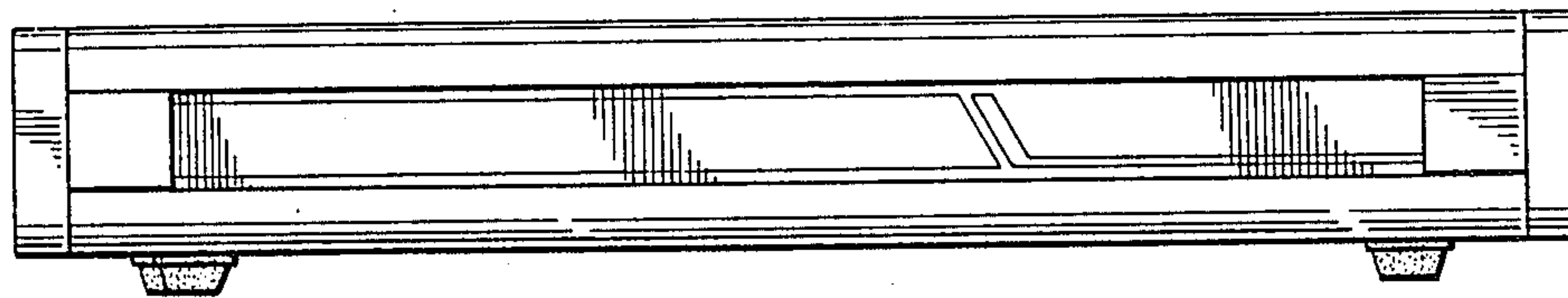


FIG. 1

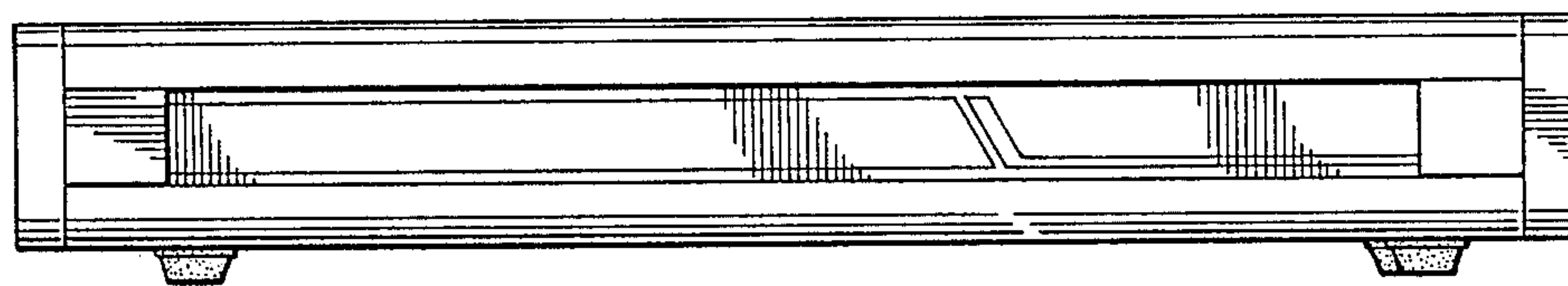


FIG. 2

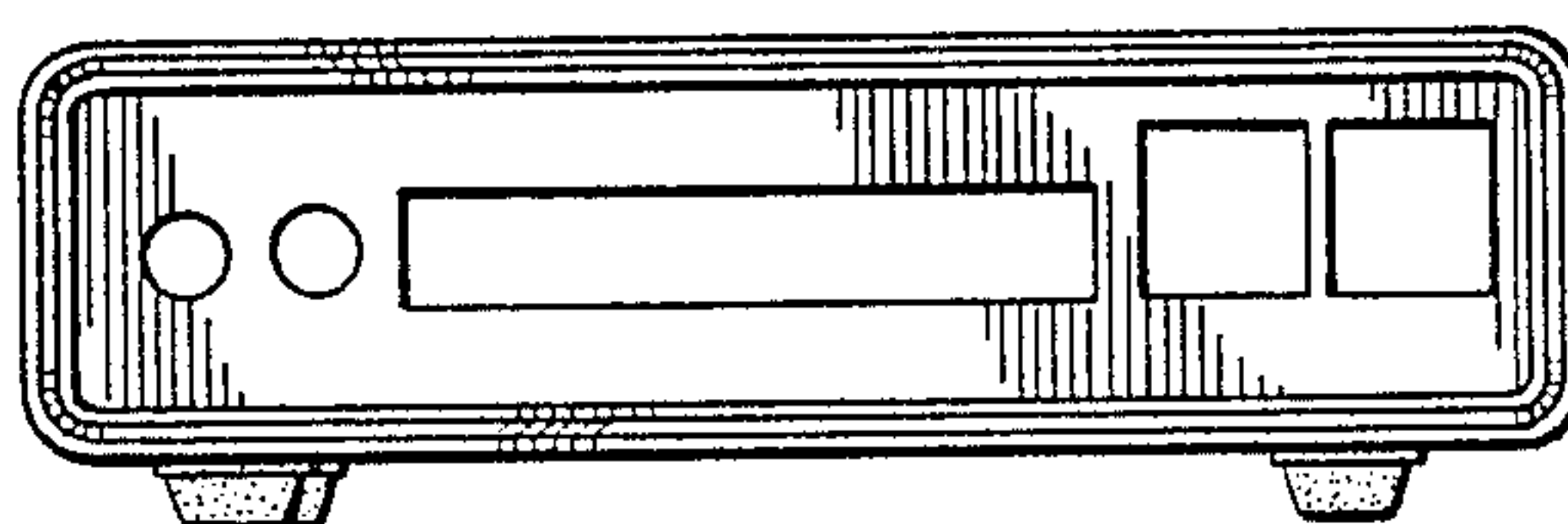


FIG. 3

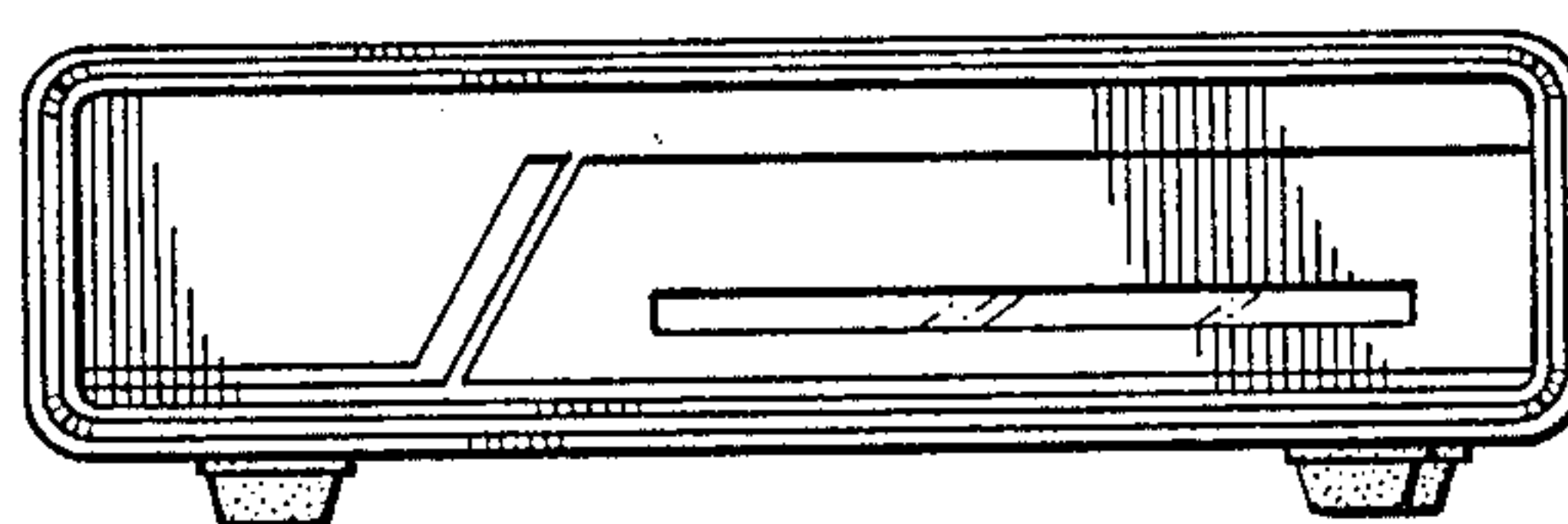


FIG. 4

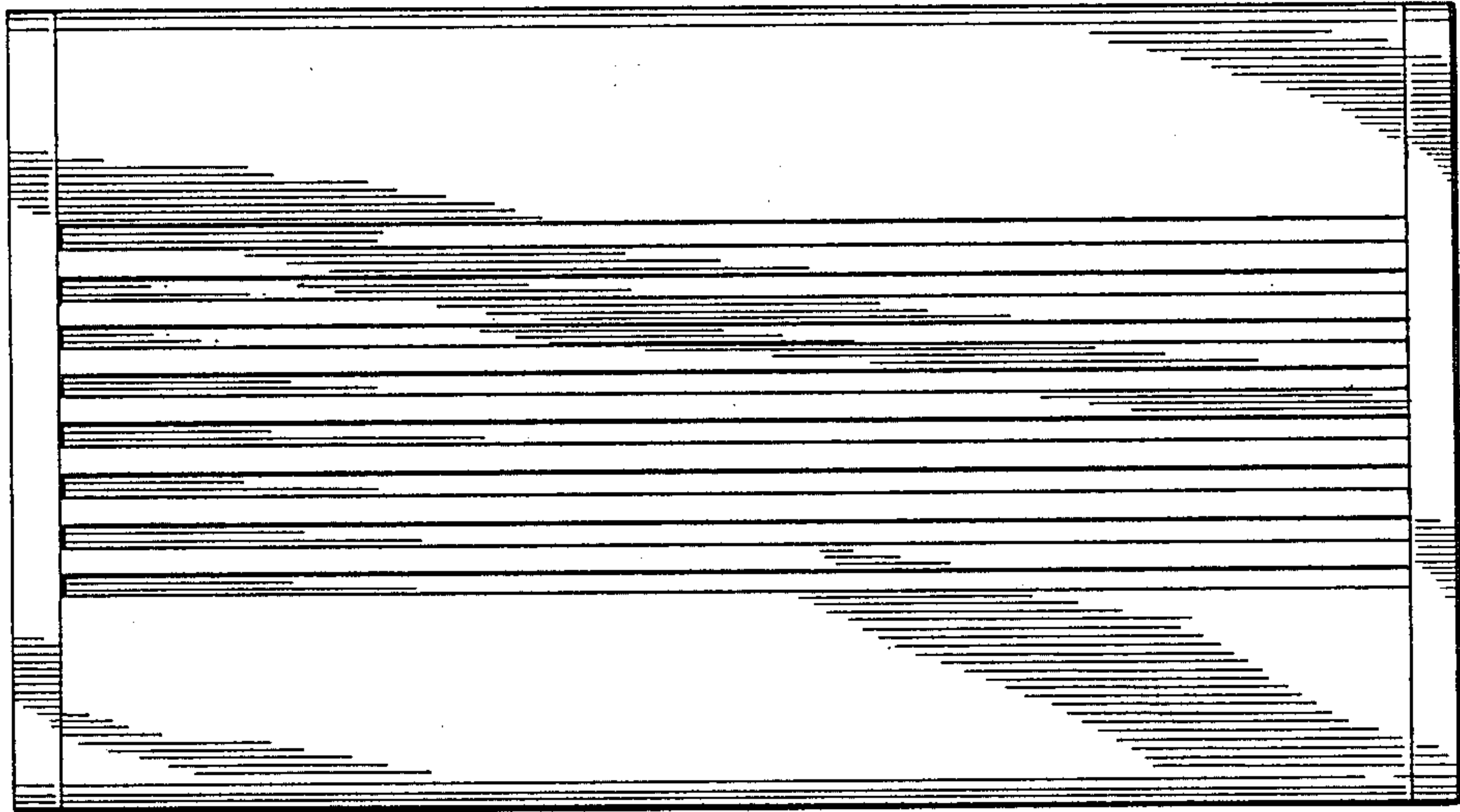


FIG. 5

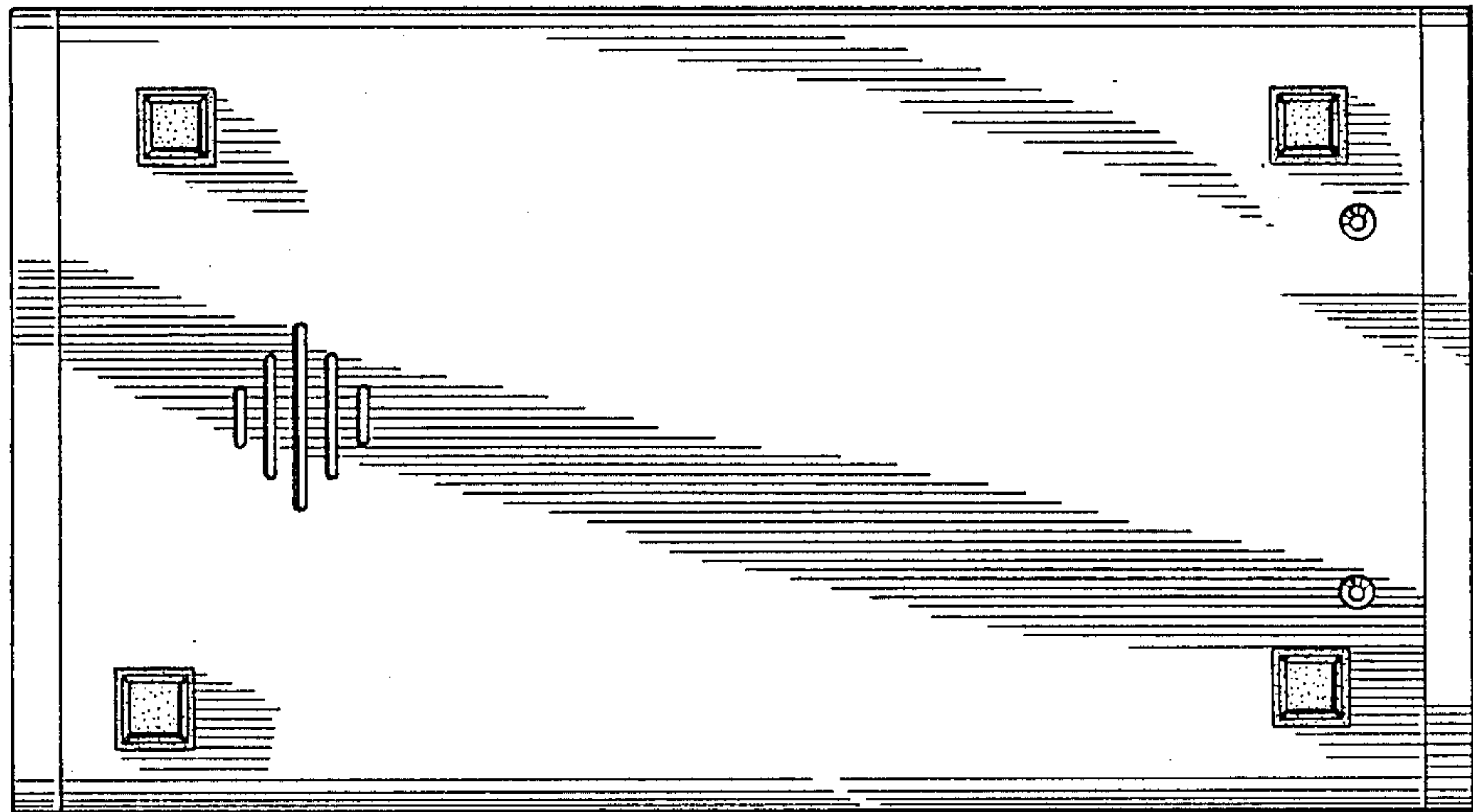


FIG. 6



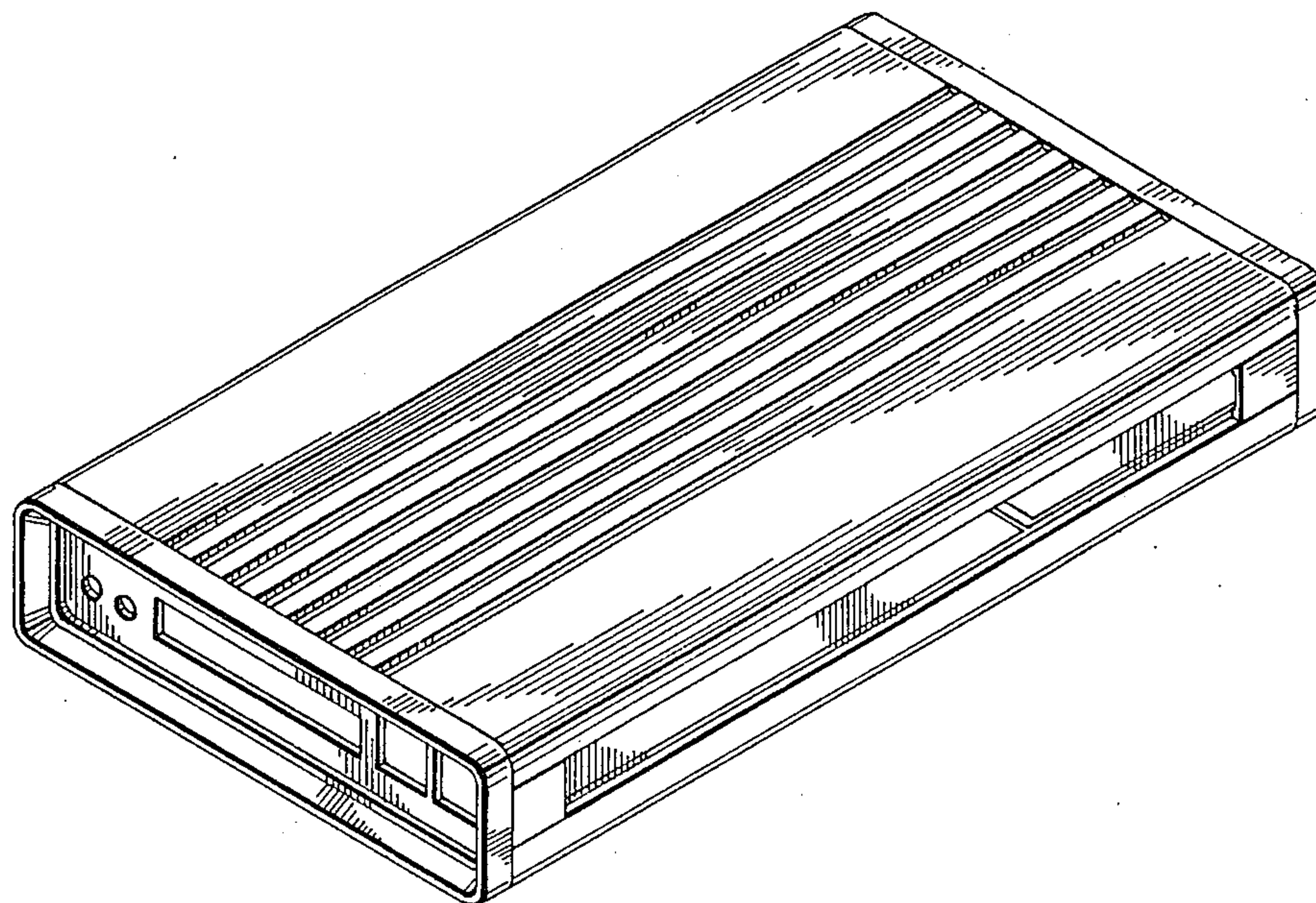


FIG. 7