

[54] FLOOR OUTLET HOUSING WITH SLIDING CLOSURES

[75] Inventor: Alan W. Brownlie, Skaneateles, N.Y.

[73] Assignee: Butler Manufacturing Company, Kansas City, Mo.

[**] Term: 14 Years

[21] Appl. No.: 862,532

[22] Filed: May 12, 1986

[52] U.S. Cl. D13/31; D8/353

[58] Field of Search D13/11, 12, 18-31, D13/40; 174/67; 439/92, 135, 502, 925; 361/334, 357; 220/242

[56] References Cited

U.S. PATENT DOCUMENTS

D. 265,967	8/1982	Newman	D13/31
2,987,690	6/1961	Morbais	439/135
3,189,678	6/1965	Nelson	174/67
4,463,998	8/1984	Reavis et al.	.	
4,479,692	10/1984	Greenwood et al.	439/925
4,589,715	5/1986	Weisenburger	439/925

4,607,136 8/1986 Thomas 174/67

OTHER PUBLICATIONS

Thomas and Betts' 10/1984 advertising literature for "Contact Receptacle Pedestals".

Primary Examiner—Bruce W. Dunkins
Assistant Examiner—Clare E. Heflin
Attorney, Agent, or Firm—Frederick J. Olsson

[57] CLAIM

The ornamental design for a floor outlet housing with sliding closures, as shown and described.

DESCRIPTION

FIG. 1 is a front, top and one side perspective view of the floor outlet housing with sliding closures showing my new design;

FIG. 2 is a rear, top and opposite side perspective view thereof, the bottom being plain and unornamented;

FIG. 3 is a top plan view thereof with the sliding closures shown in the open position.

The broken line showing of the receptacle outlets in FIG. 3 is for illustrative purposes only and forms no part of the claimed design.

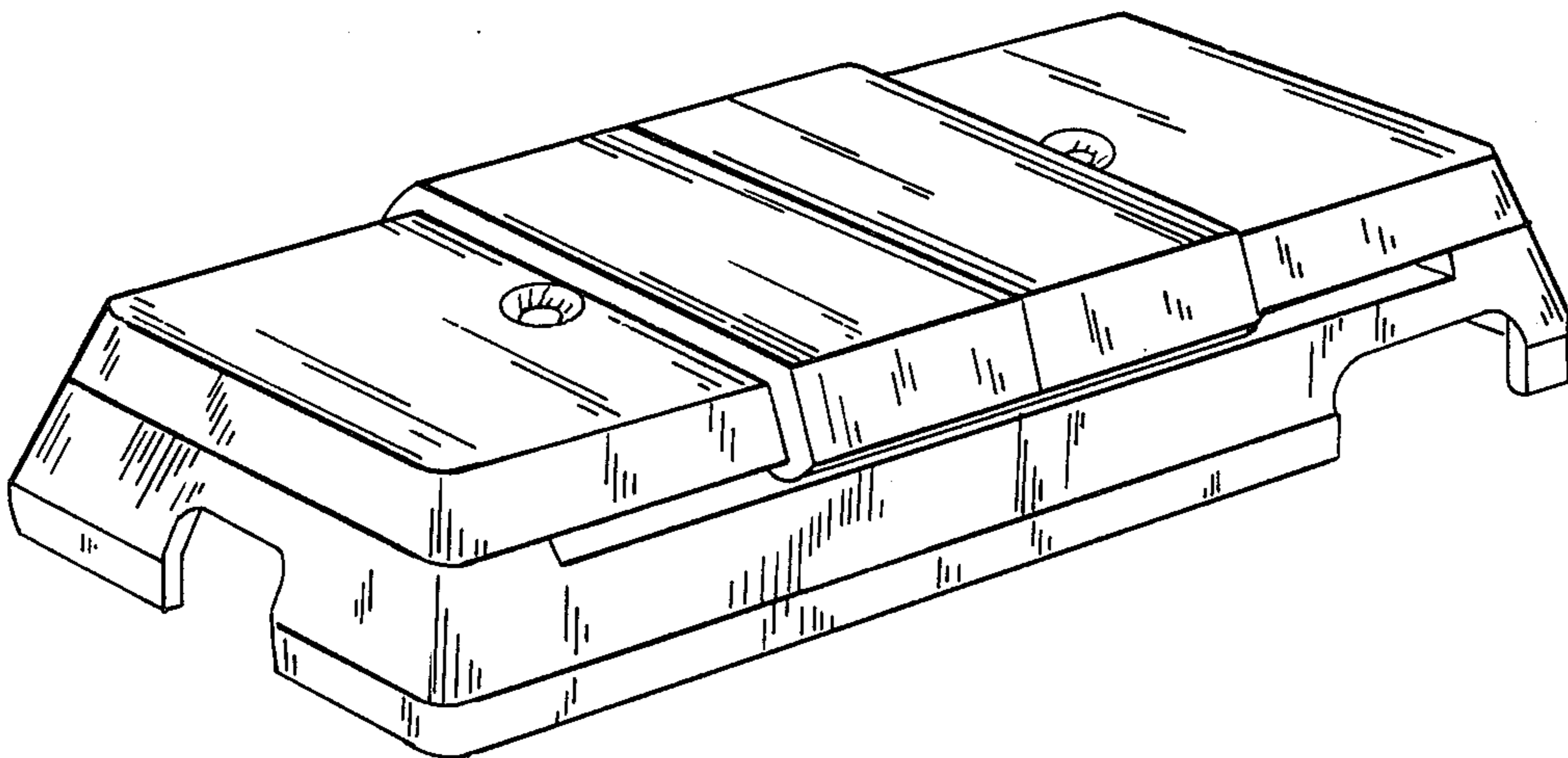


FIG. 1.

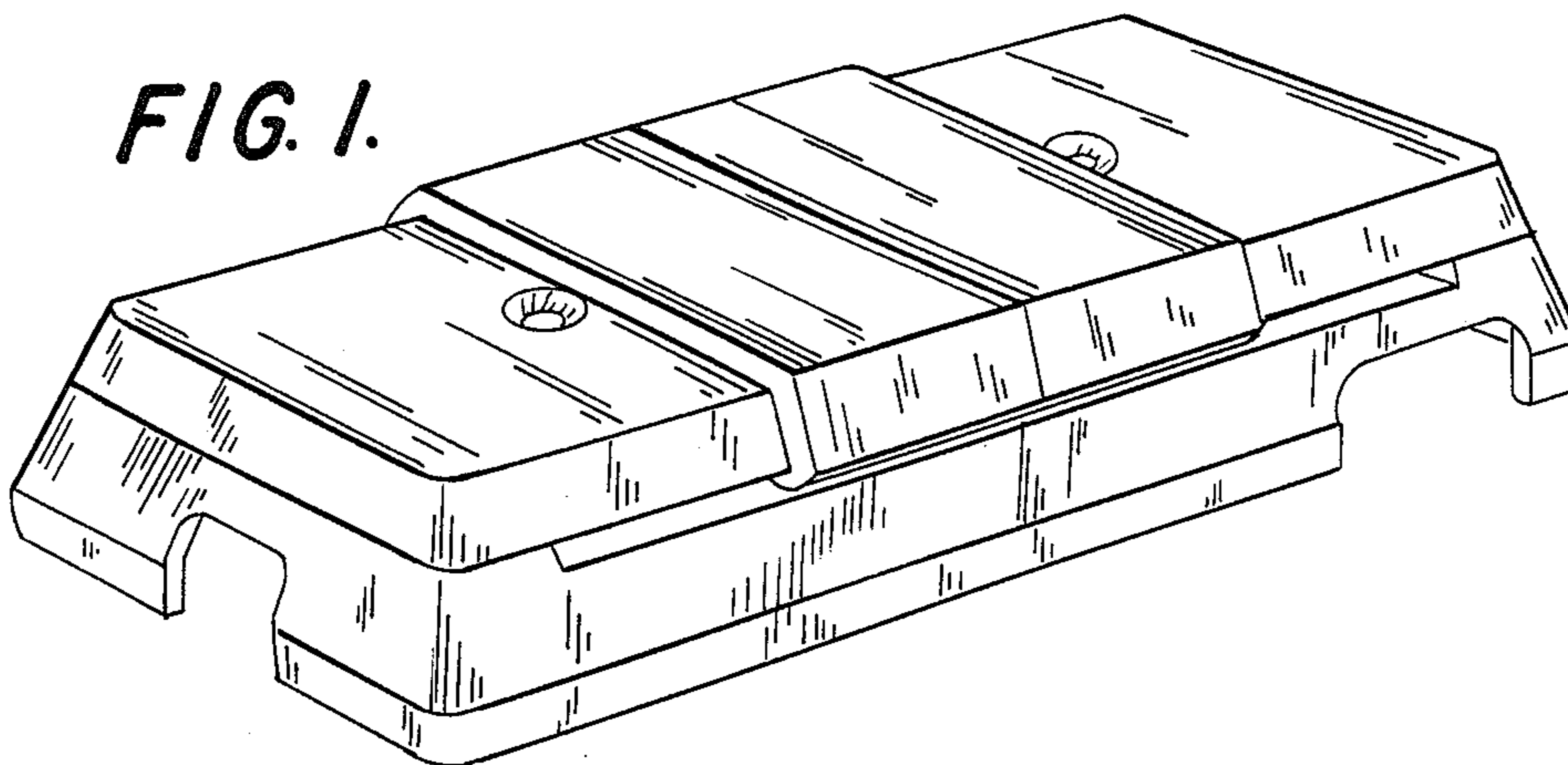


FIG. 2.

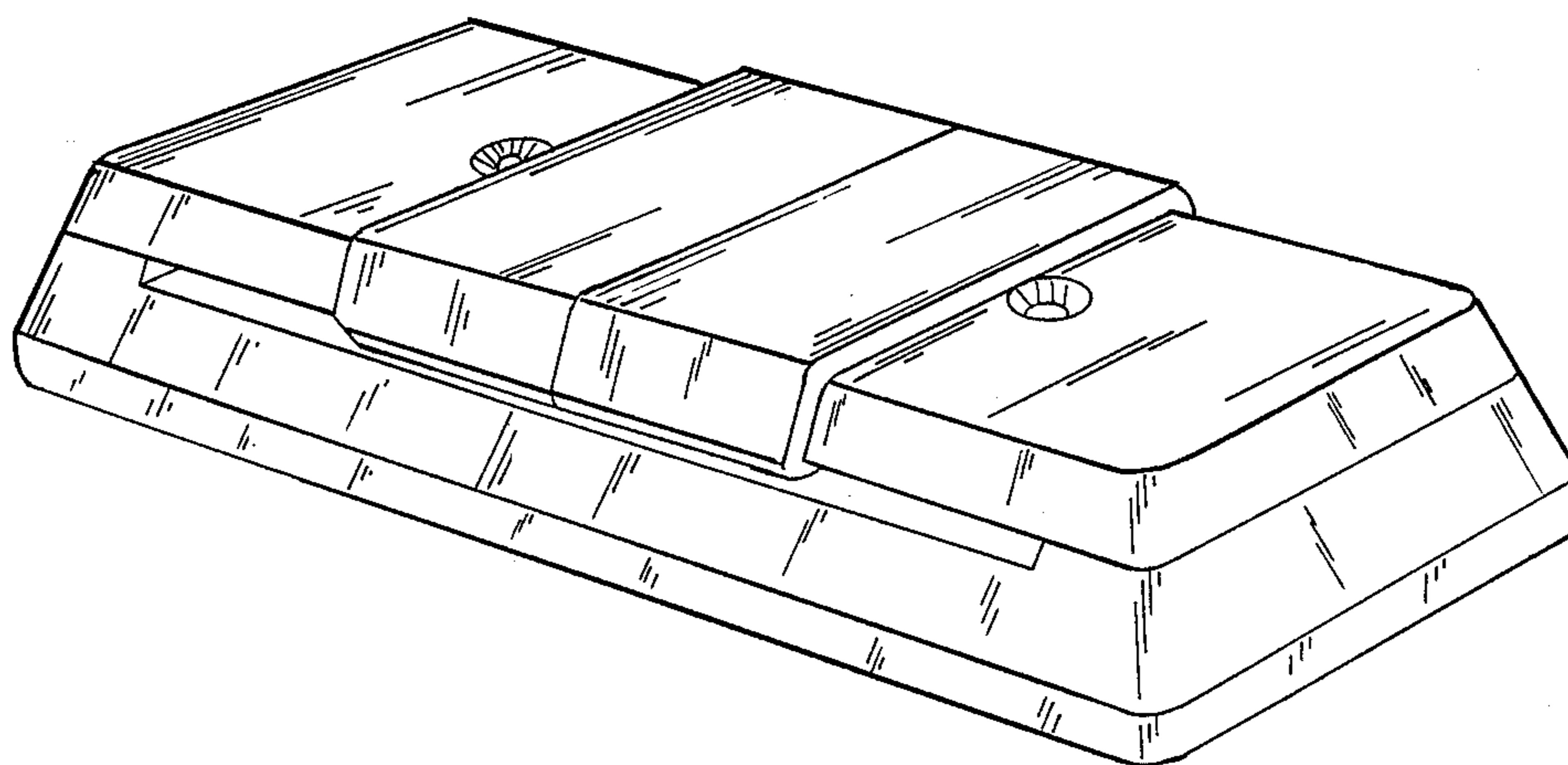


FIG. 3.

