

[54] ELECTRICAL CABLE CONCENTRATOR

[75] Inventors: Michael Freeman, Marlboro, Mass.; Sally A. Hattle, Oxford, Conn.; Michael Romm, Brighton, Mass.

[73] Assignee: Digital Equipment Corporation, Maynard, Mass.

[**] Term: 14 Years

[21] Appl. No.: 923,075

[22] Filed: Oct. 24, 1986

[52] U.S. Cl. D13/30

[58] Field of Search D13/11, 12, 18-31, D13/40; 439/628, 676, 92, 692-695; 174/67

[56] References Cited

U.S. PATENT DOCUMENTS

D. 218,747	9/1970	Bennett et al.	D13/24
3,437,981	4/1969	Keller	174/87
4,103,985	8/1978	Krolak et al.	439/676
4,502,744	3/1985	Garnett et al.	439/92

OTHER PUBLICATIONS

Telephone Engineer & Management 1-15-1981, p. 109, AMP ad. for Modular Adapter. Suttle "Guide to Telephone Wiring", p. 19, Wire Junction Box #SE-742A.

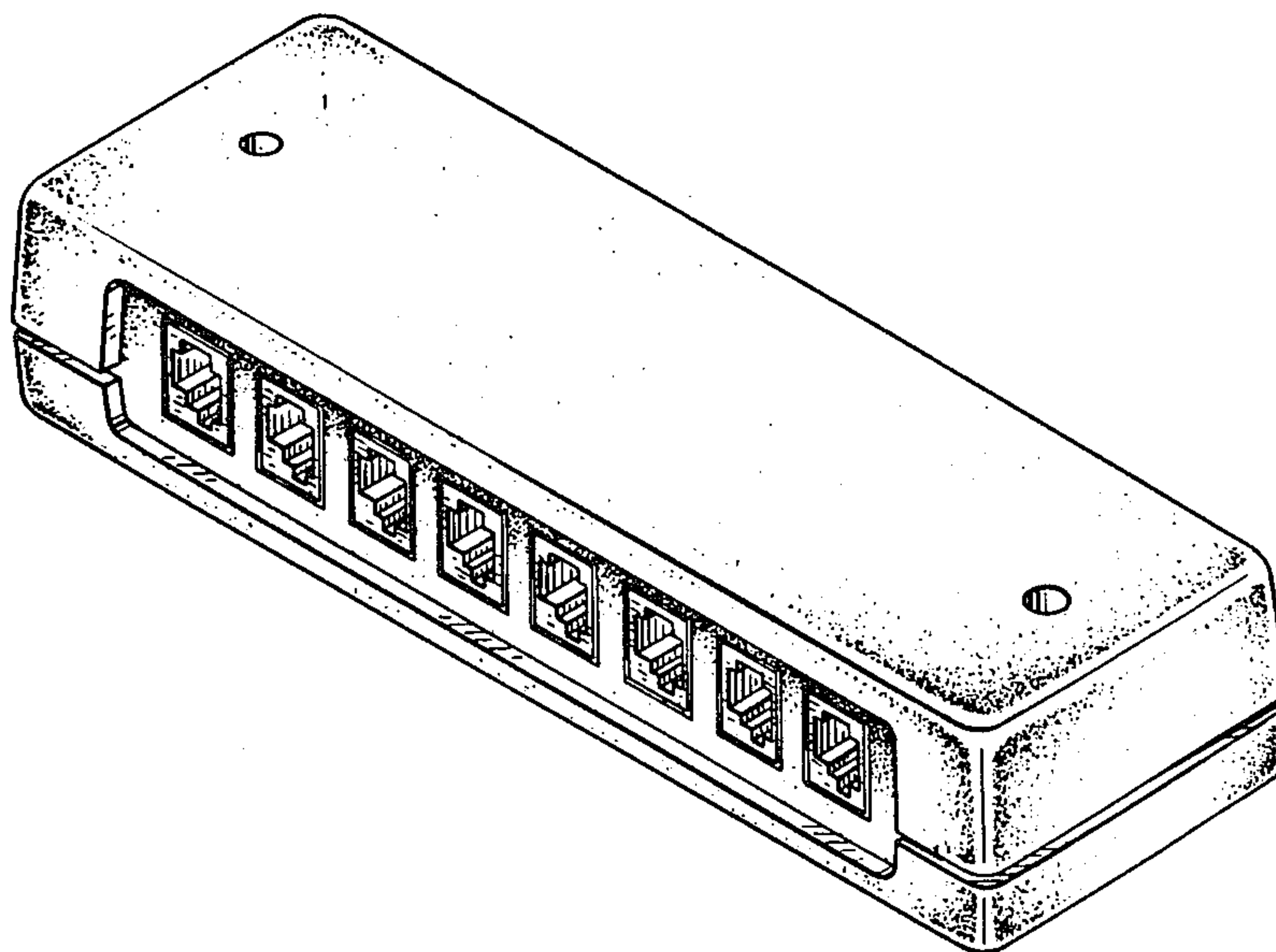
Primary Examiner—Bruce W. Dunkins
Assistant Examiner—Clare E. Heflin
Attorney, Agent, or Firm—Kenyon & Kenyon

[57] CLAIM

The ornamental design for an electrical cable concentrator, as shown and described.

DESCRIPTION

FIG. 1 is a front perspective view of an electrical cable concentrator showing our new design; FIG. 2 is a rear perspective view thereof; FIG. 3 is a front elevational view thereof; FIG. 4 is a rear elevational view thereof; FIG. 5 is a left side elevational view thereof; FIG. 6 is a right side elevational view thereof; FIG. 7 is a top plan view thereof; and FIG. 8 is a bottom plan view thereof.



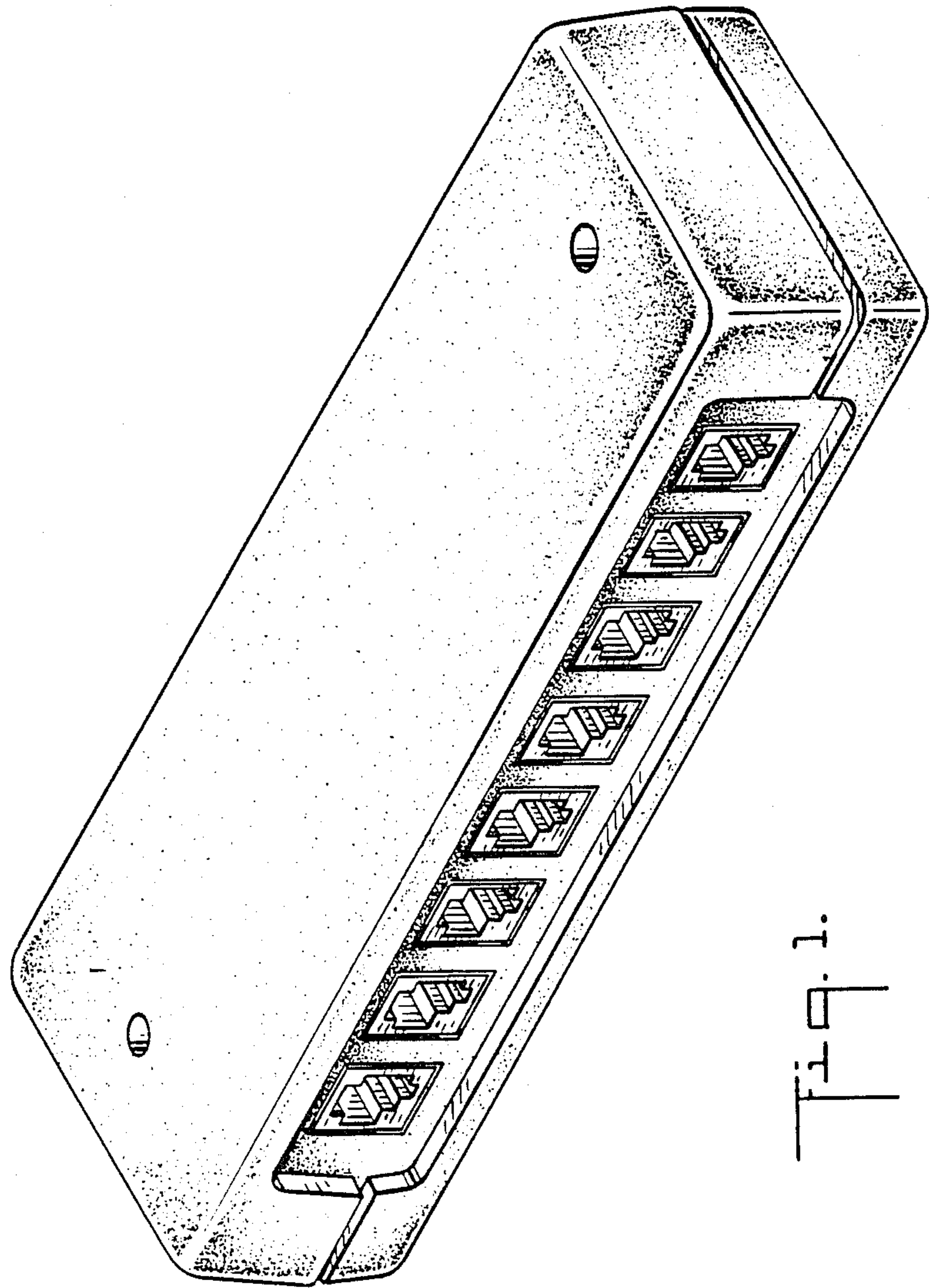


Fig. 1.

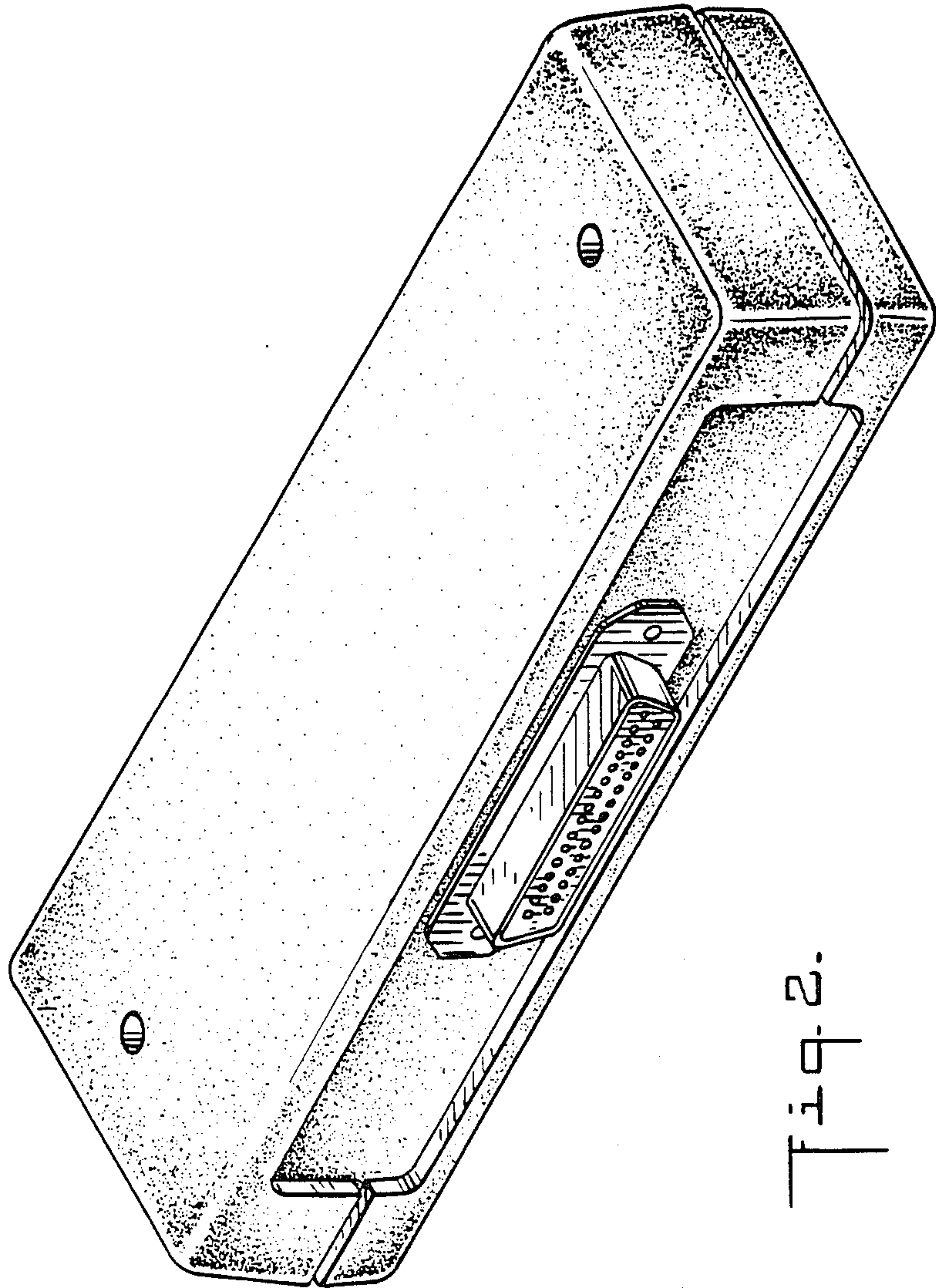


Fig. 2.

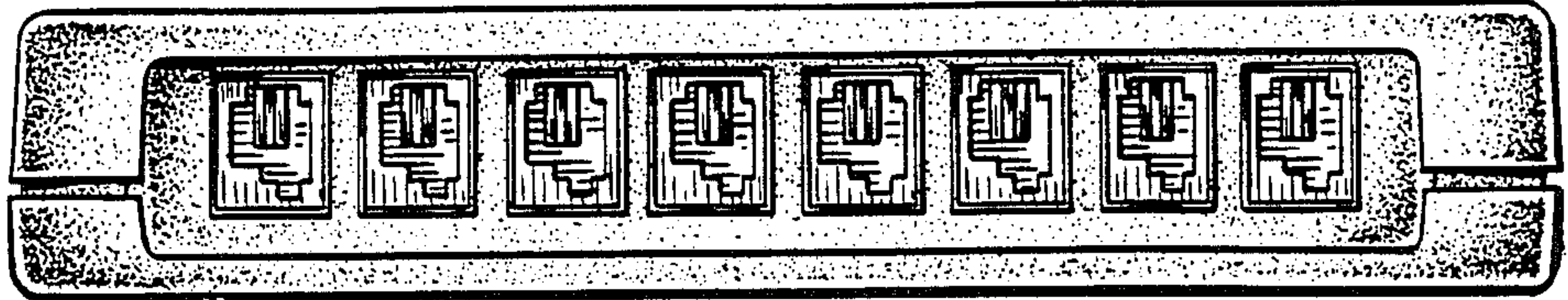


Fig. 3.

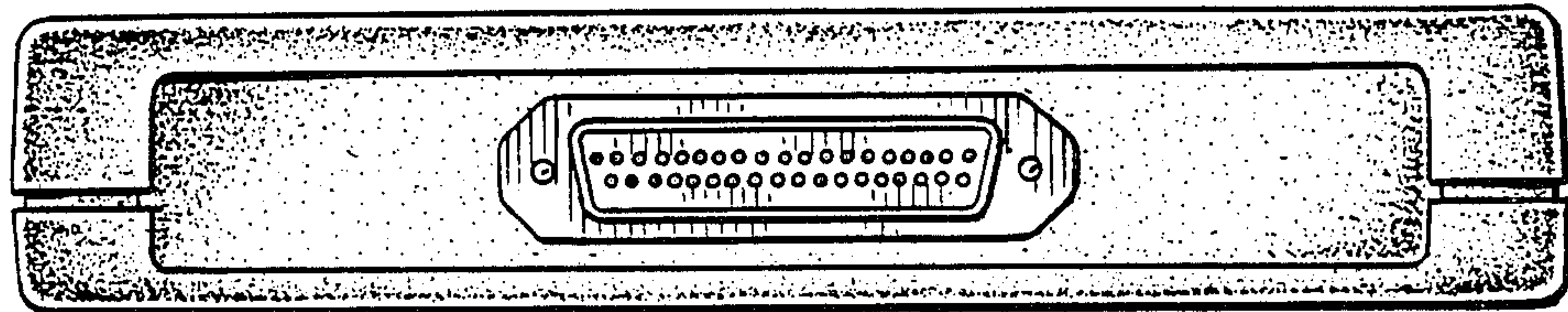


Fig. 4.

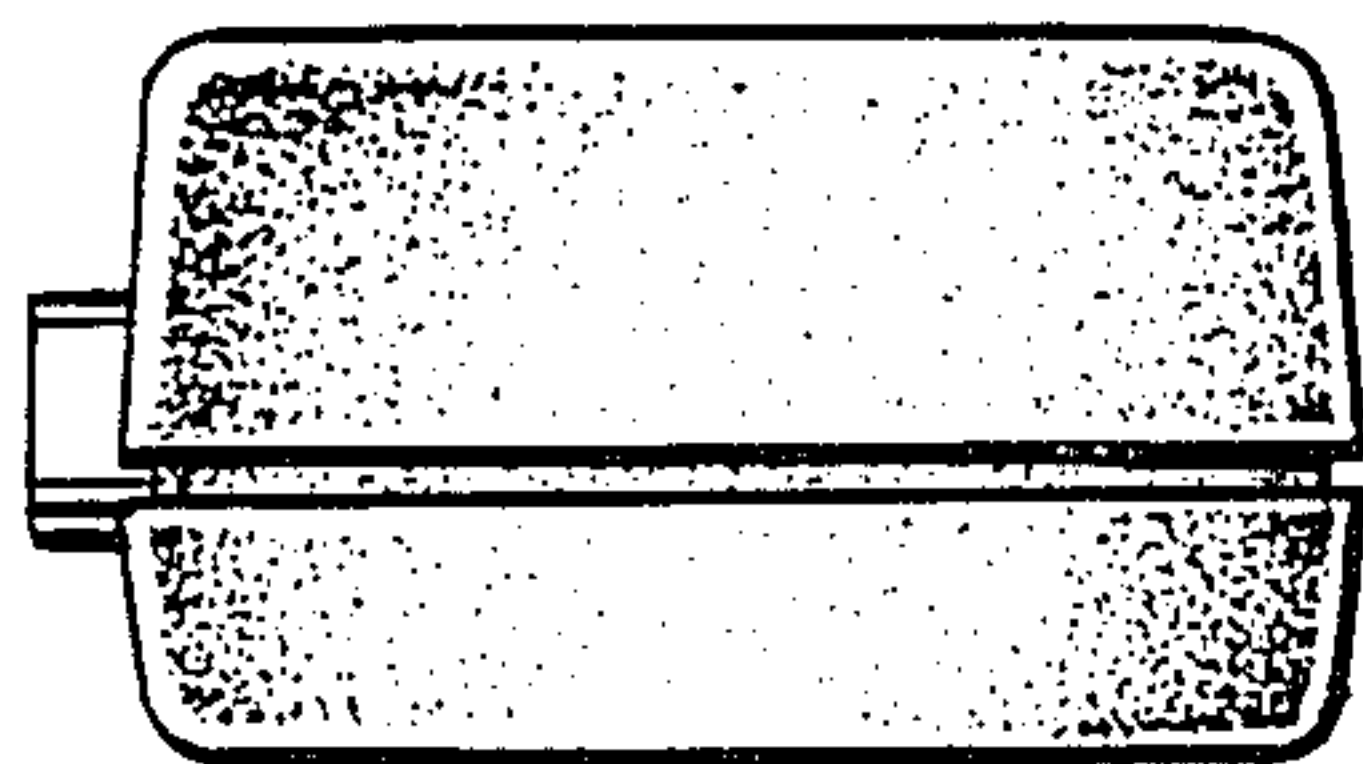


Fig. 5.

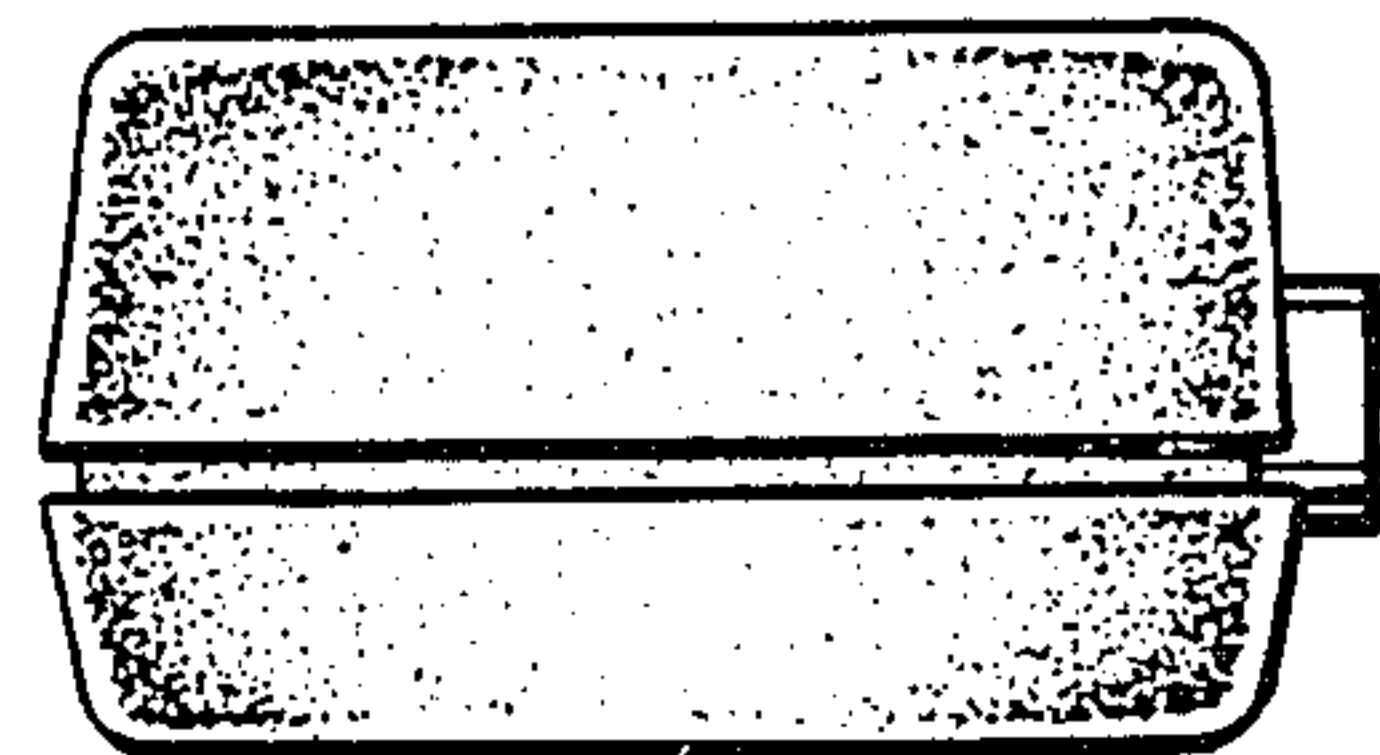


Fig. 6.

Fig. 7.

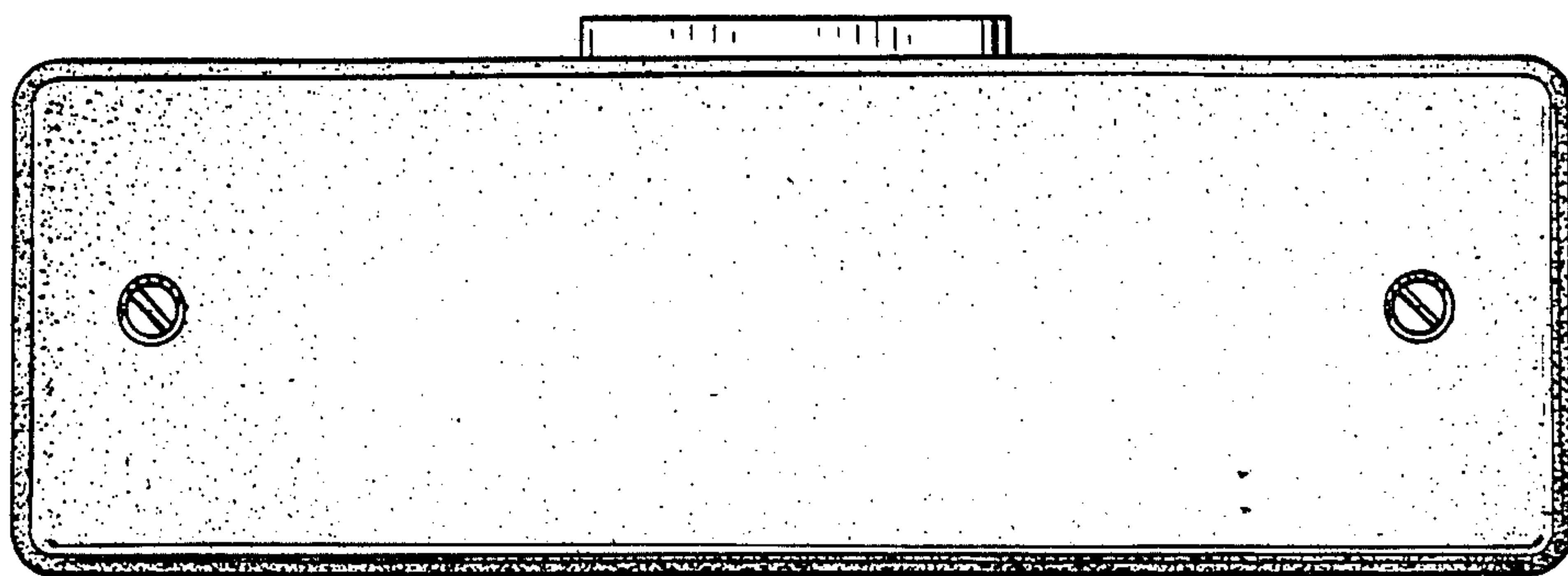


Fig. 8.

