

[54] COMBINED FLEXIBLE SOLAR CELL
PANEL AND DEPLOYMENT/STORAGE
MAST

[75] Inventor: Joseph J. Hanak, Birmingham, Mich.

[73] Assignee: Energy Conversion Devices, Inc.,
Troy, Mich.

[**] Term: 14 Years

[21] Appl. No.: 128,759

[22] Filed: Dec. 4, 1987

[52] U.S. Cl. D13/3.1

[58] Field of Search D13/3.1; 136/245;
126/438, 444, 445, 417, 426

[56] References Cited

U.S. PATENT DOCUMENTS

4,485,264 11/1984 Izu 136/245 X
4,713,492 12/1987 Hanak 136/245

Primary Examiner—Susan J. Lucas

Attorney, Agent, or Firm—Kenneth M. Massaroni;
Marvin S. Siskind; Richard M. Goldman

[57] CLAIM

The ornamental design for a combined flexible solar cell panel and deployment/storage mast, as shown and described.

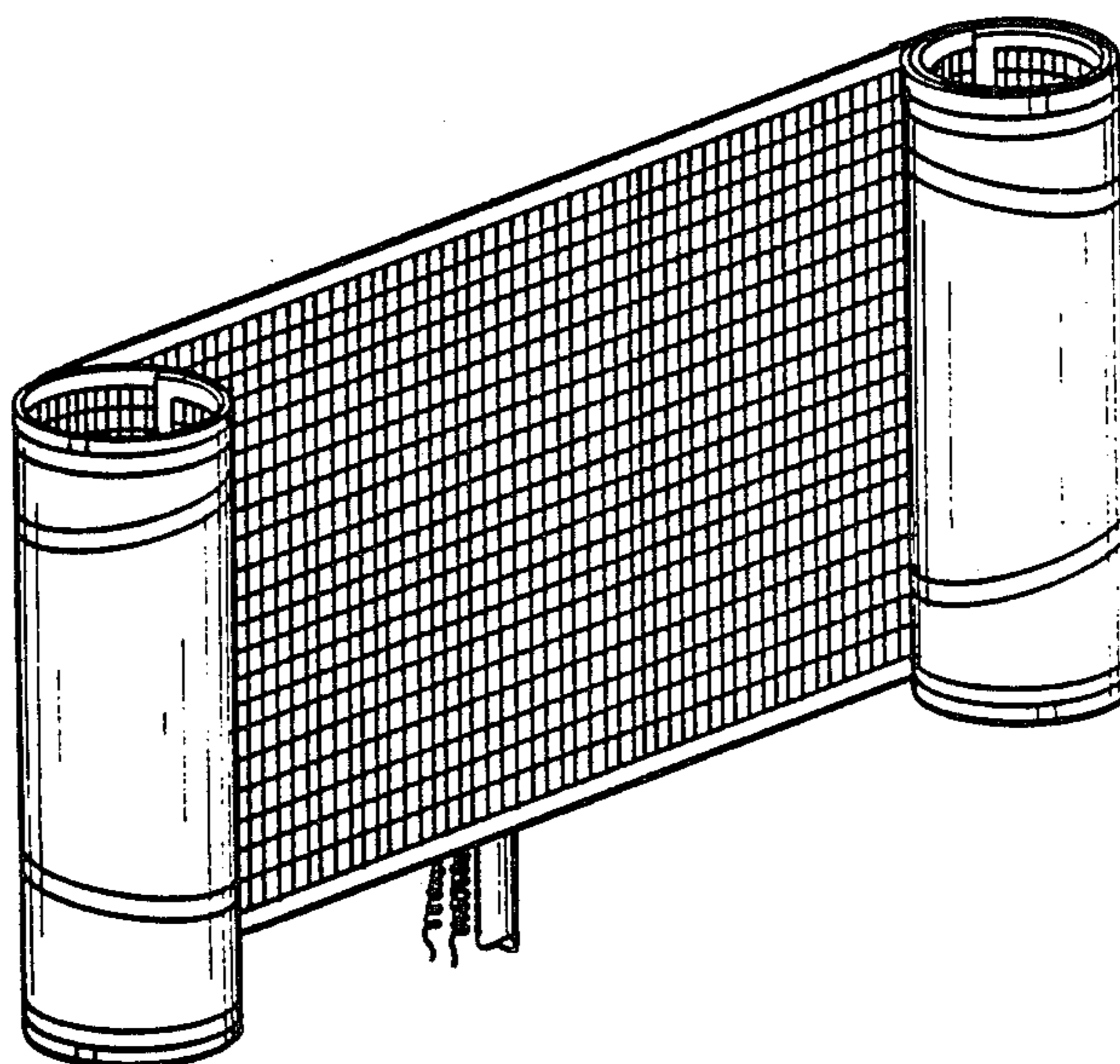
DESCRIPTION

FIG. 1 is a top, front perspective view of a combined flexible solar cell panel and deployment/storage mast showing my new design, the solar cell panel being in stowed condition;

FIGS. 2 and 3 are respectively top front perspective views thereof showing the solar cell panel in the partially and the fully deployed conditions;

FIGS. 4, 5 and 6 are respectively, top rear perspective views thereof showing the solar cell panel in the stowed, partially deployed and fully deployed conditions; and

FIGS. 7, 8 and 9 are respectively, top plan views thereof showing the solar cell panel in the stowed, partially deployed and fully deployed conditions, the bottom being a mirror image of the top in all conditions.



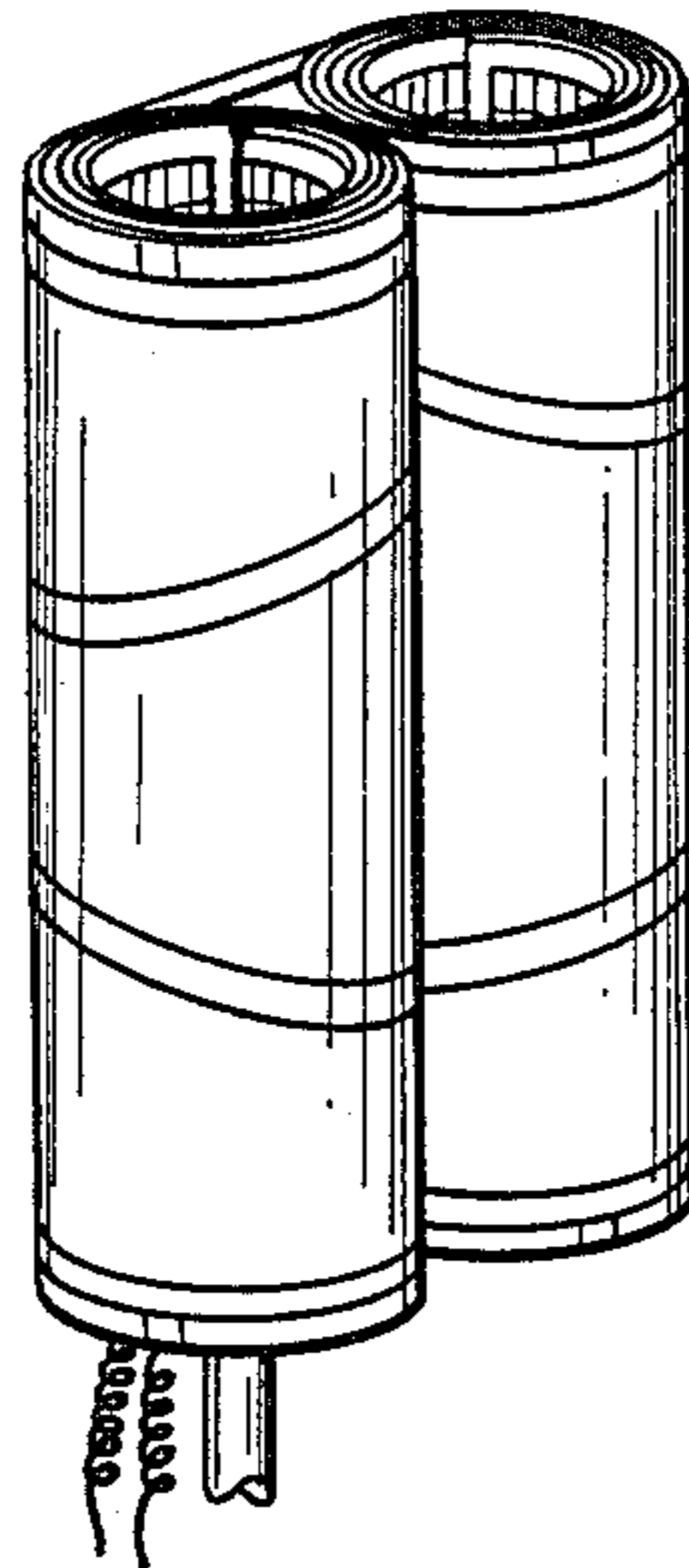


FIG. 1

FIG. 2

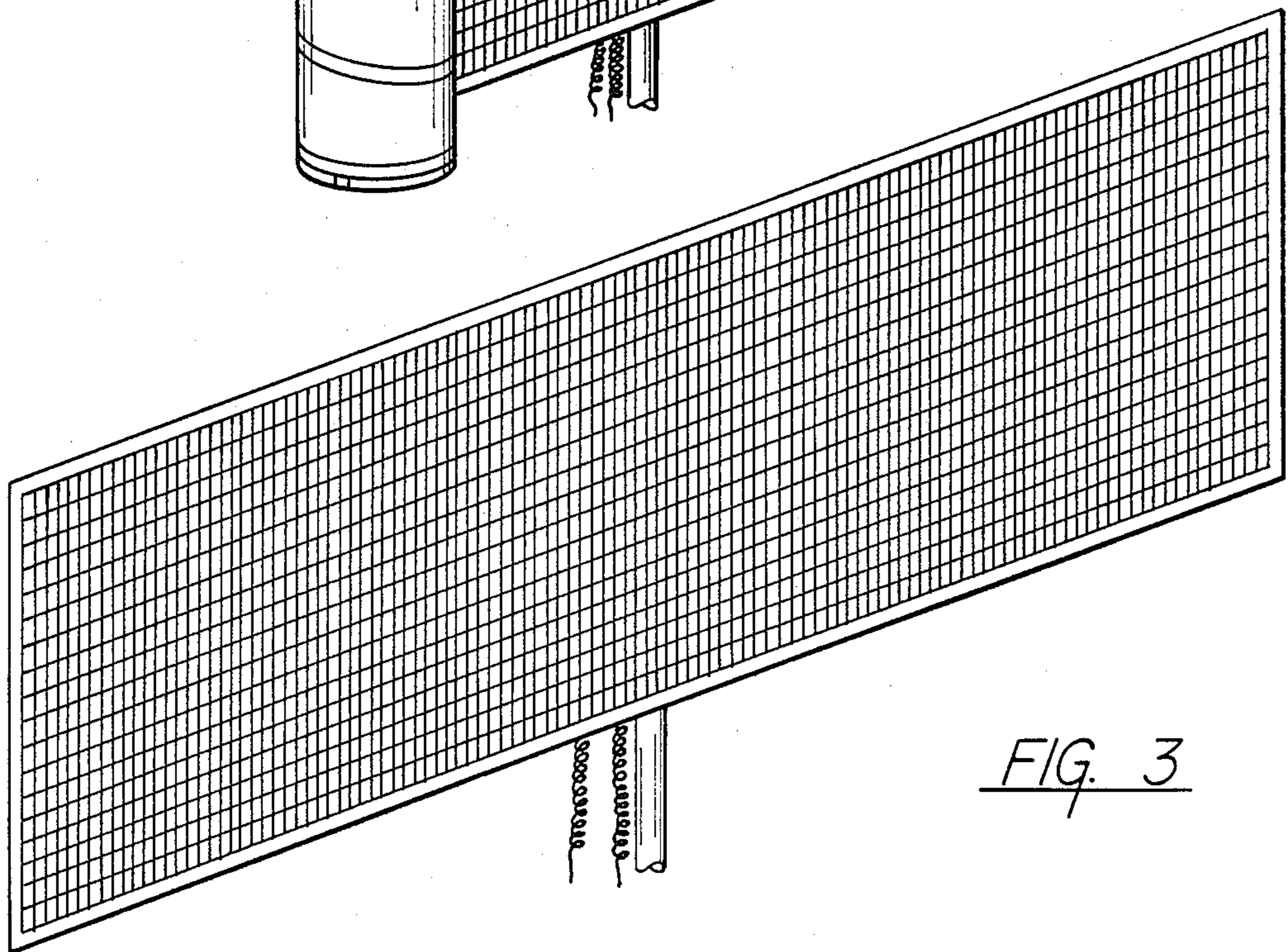
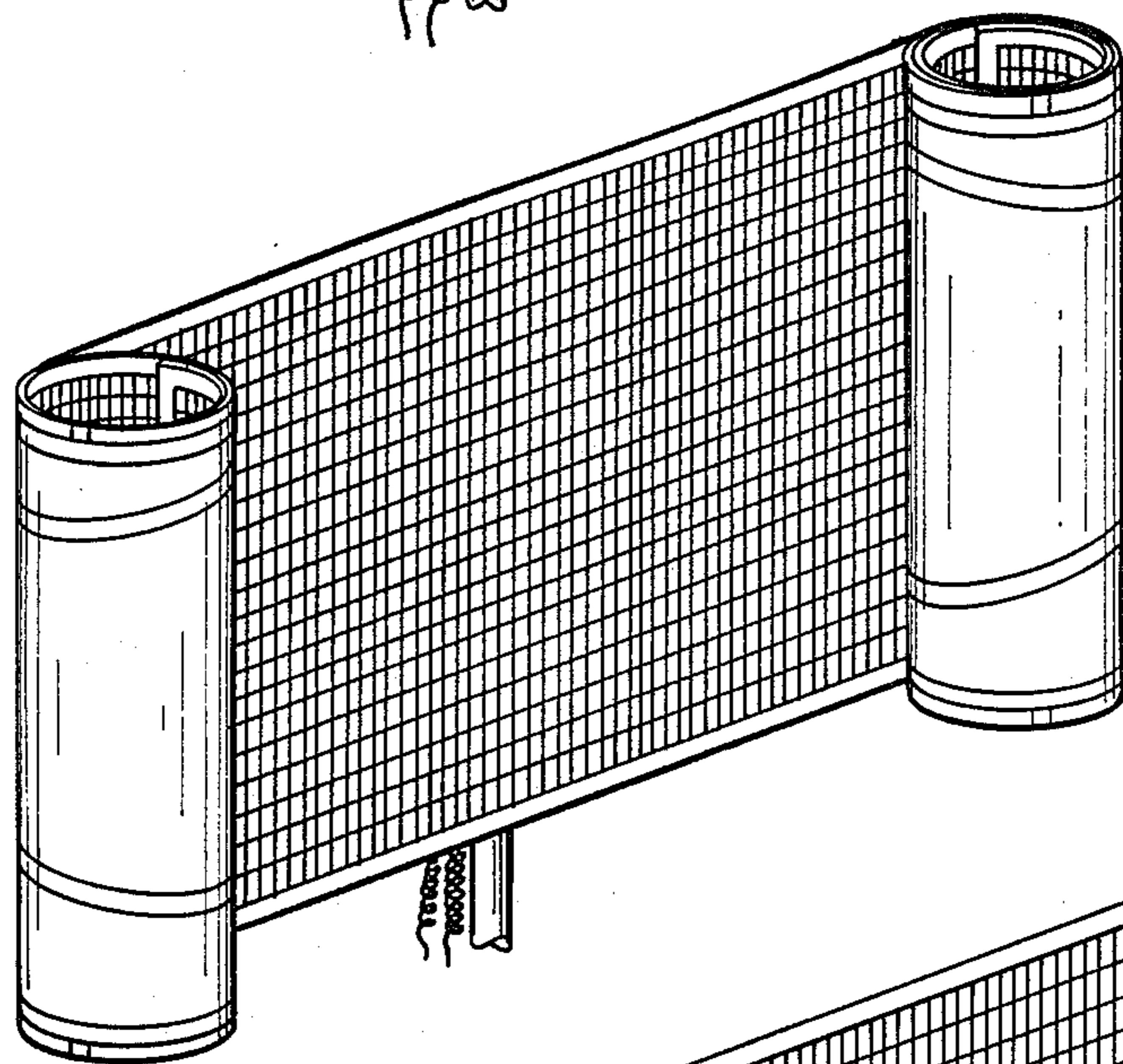


FIG. 3

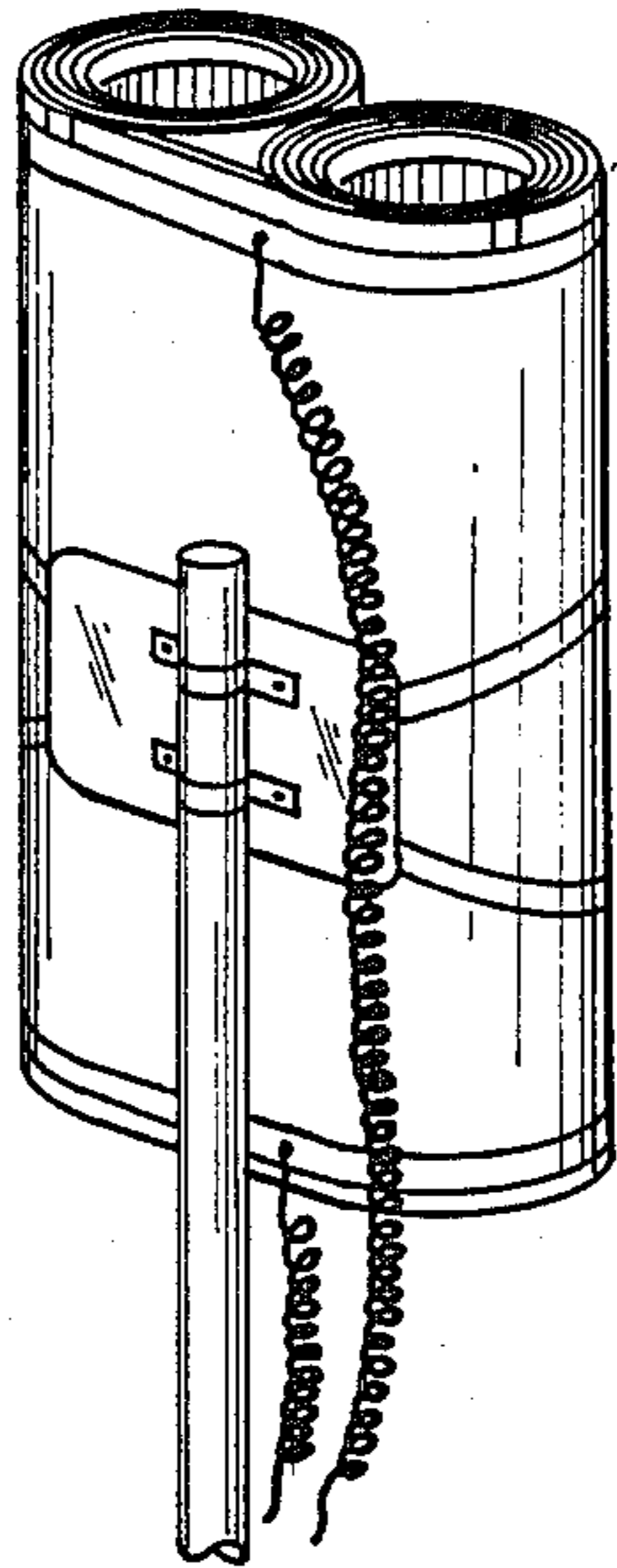


FIG. 4

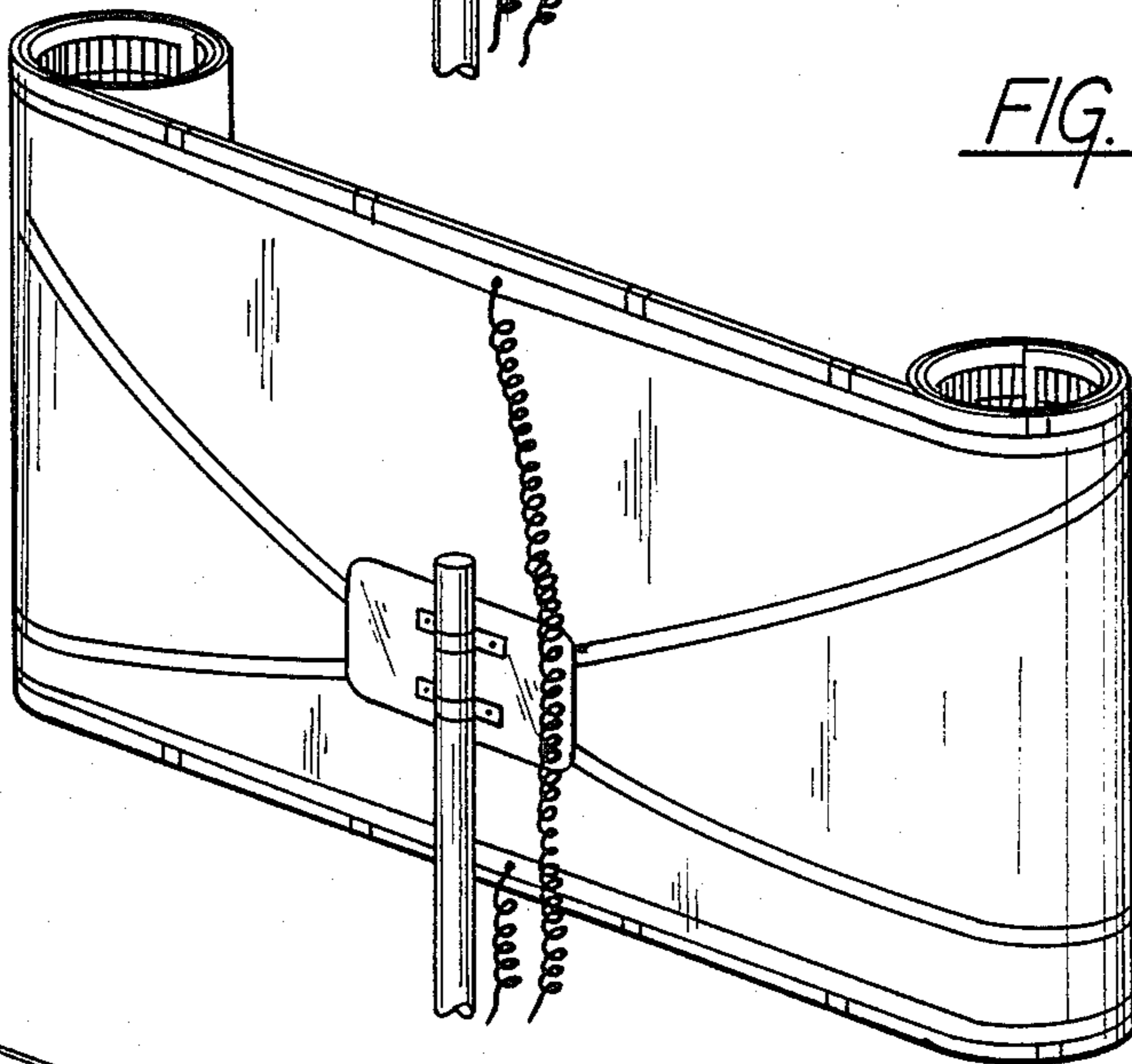


FIG. 5

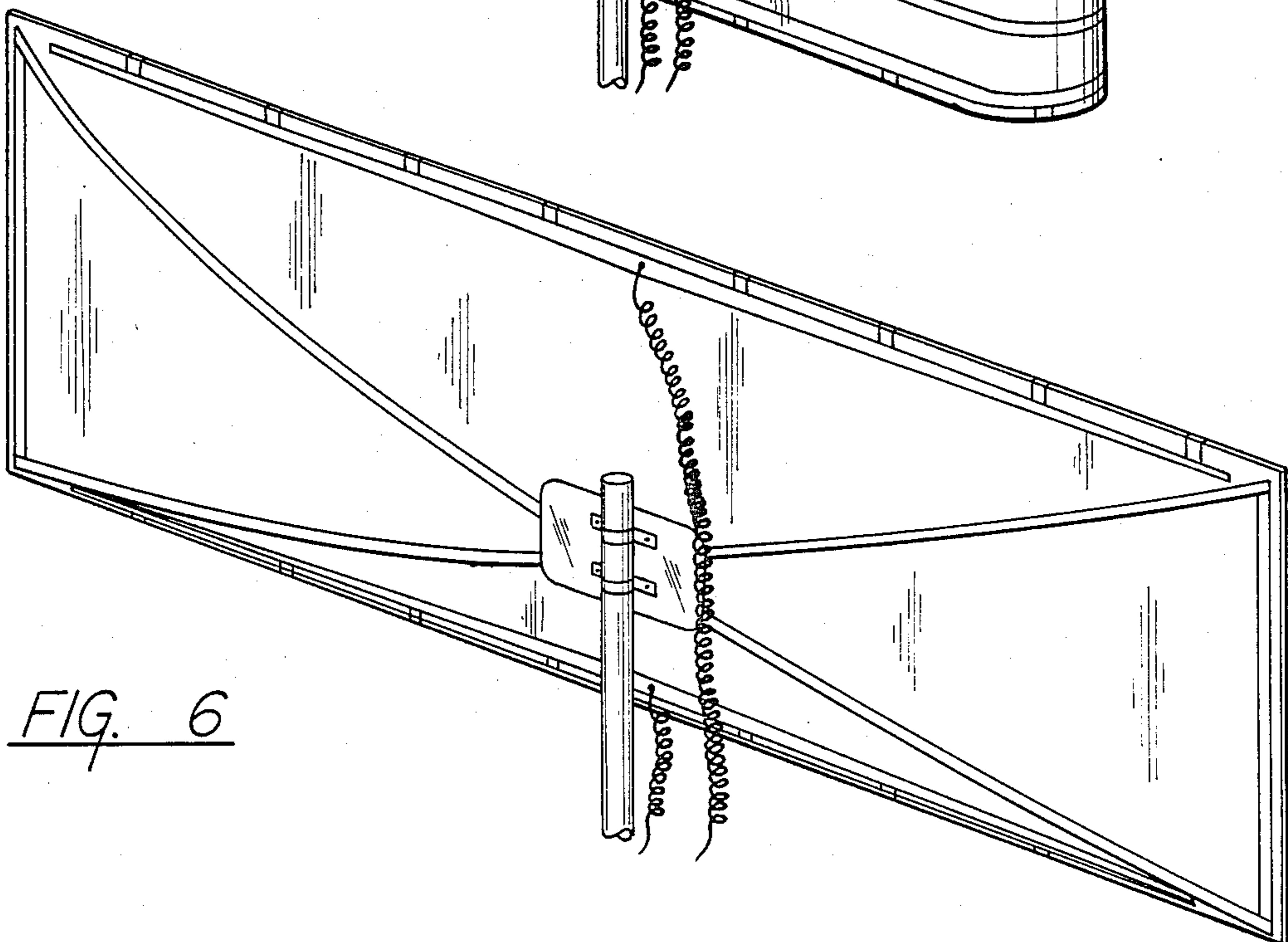


FIG. 6

FIG. 7

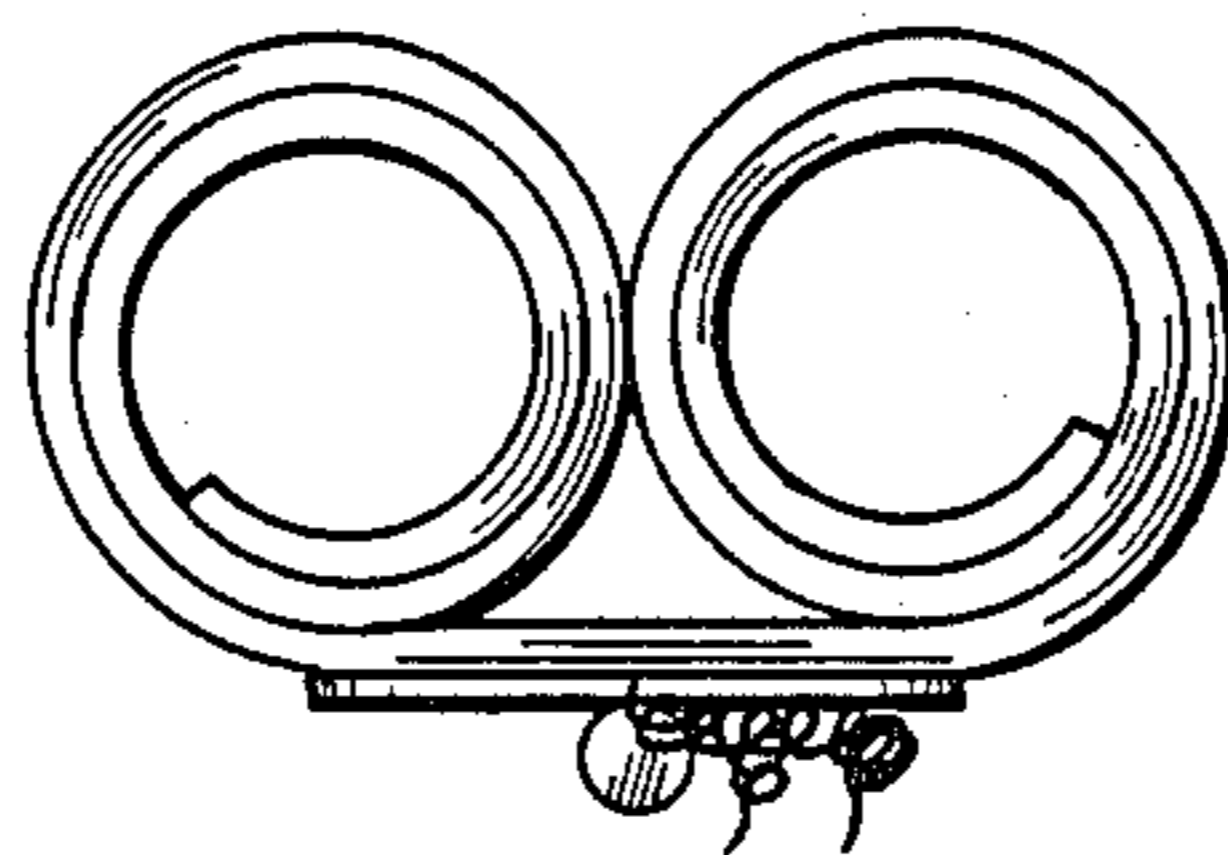


FIG. 8

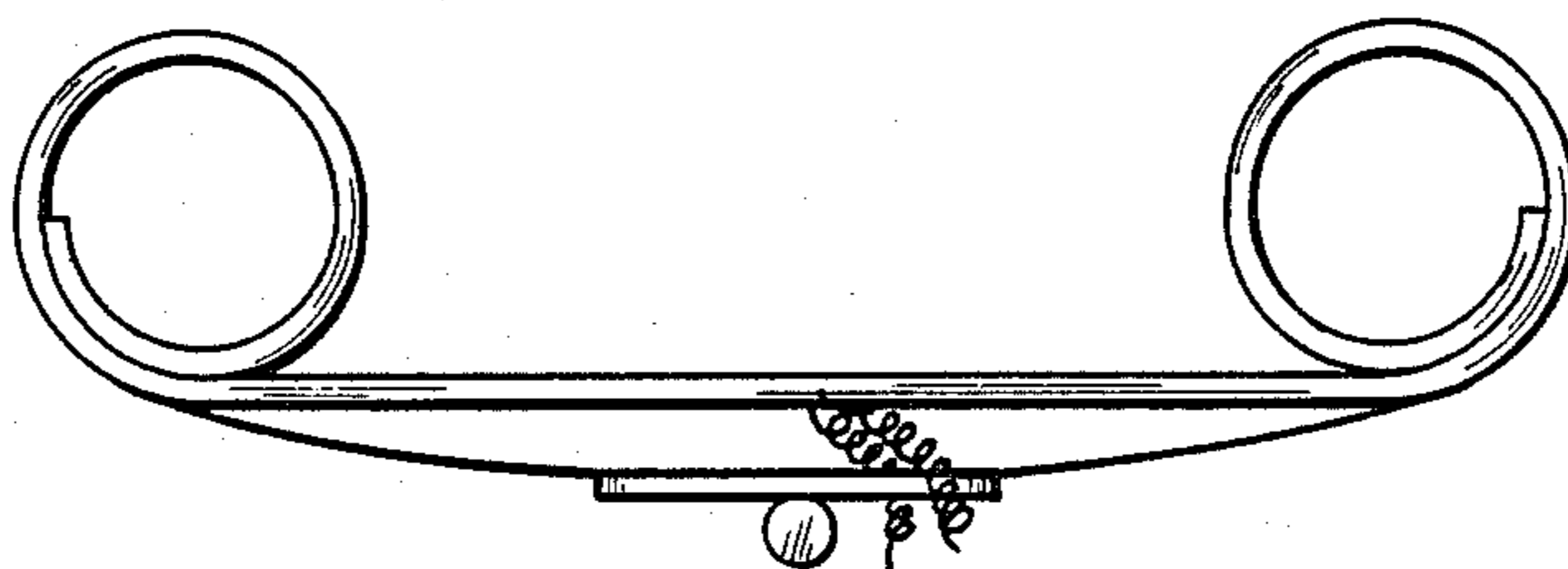


FIG. 9

