

[54] VEHICLE QUARTER FENDER

[75] Inventor: Steven A. Antekeier, North Shores, Mich.

[73] Assignee: Fleet Engineers, Inc., Muskegon, Mich.

[\*\*] Term: 14 Years

[21] Appl. No.: 872,765

[22] Filed: Jun. 10, 1986

[52] U.S. Cl. .... D12/185

[58] Field of Search ..... D12/185; 280/154.5 R, 280/152

OTHER PUBLICATIONS

Life-Time Fenders Brochure, 9/83, Vehicle Quarter Fenders.

Fleetline Brochure, ©1983, Vehicle Quarter Fenders.

Primary Examiner—James M. Gandy  
Attorney, Agent, or Firm—Varnum, Riddering, Schmidt & Howlett

CLAIM

[57] The ornamental design for a vehicle quarter fender, as shown and described.

DESCRIPTION

FIG. 1 is a perspective view of a vehicle quarter fender showing my new design;

FIG. 2 is an enlarged right-side elevational view thereof;

FIG. 3 is an enlarged left-side elevational view thereof;

FIG. 4 is an enlarged top plan view thereof;

FIG. 5 is an enlarged bottom plan view thereof; and

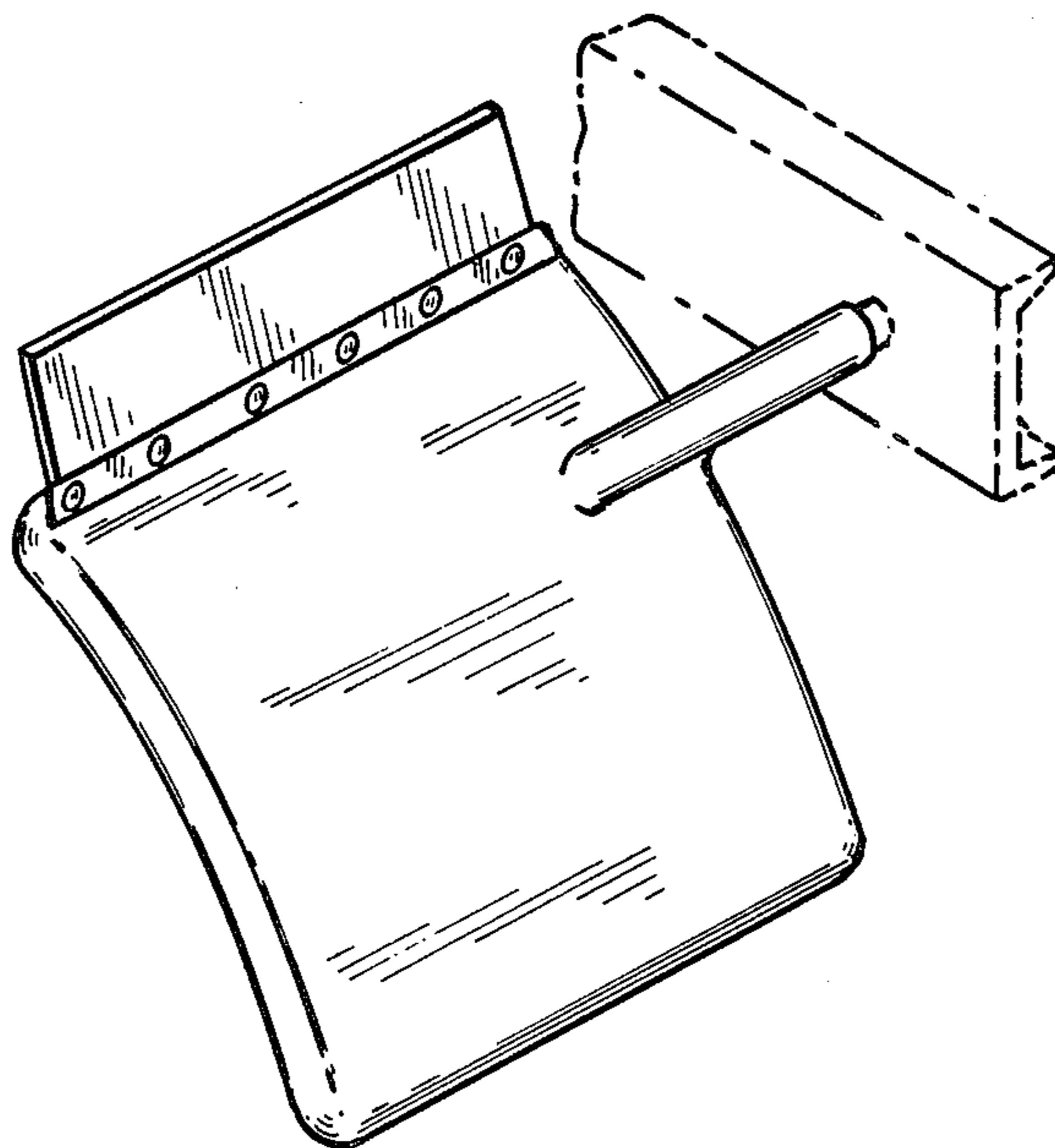
FIG. 6 is a perspective view of a vehicle quarter fender showing a second embodiment of my new design the sole difference being in the omission of the top front deflector panel.

The broken lines in the drawing are for illustrative purposes only and form no part of the claimed design.

References Cited

U.S. PATENT DOCUMENTS

Re. 24,339	7/1957	La Pere	280/152
2,557,147	6/1951	Schatzman	280/153
2,914,341	11/1959	Martt	280/152
2,972,149	2/1961	Bracesco	280/152
3,337,238	8/1967	Weasel, Jr.	280/154.5 R
3,497,237	2/1970	Vis	280/152
3,506,282	4/1970	Miyanaga	280/152
3,922,003	11/1975	Lea	280/154.5 R
4,148,373	4/1979	Cline	280/154.5 R
4,268,053	5/1981	Toppins et al.	280/154
4,377,294	3/1983	Lockwood et al.	280/154.5 R



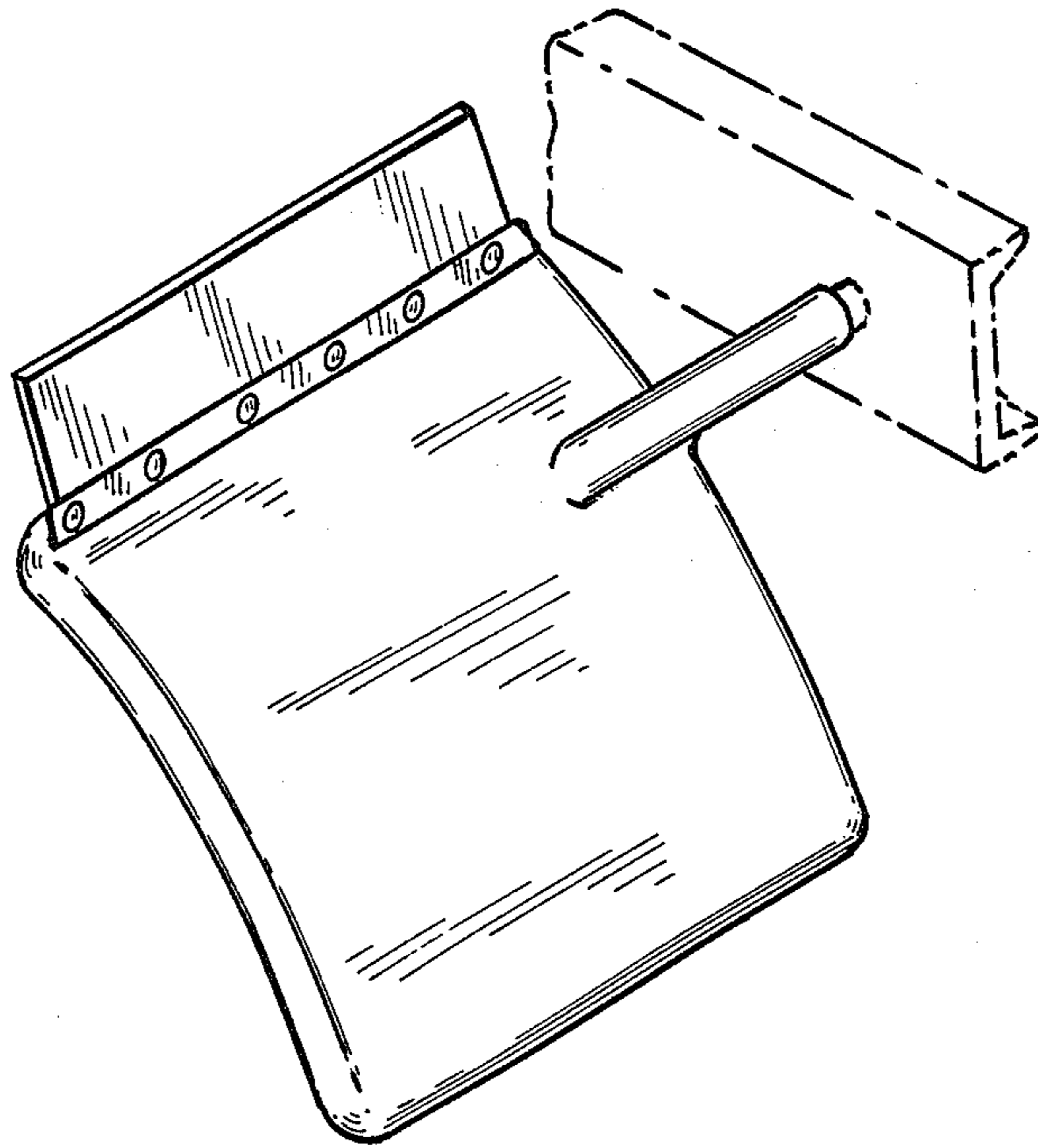


FIG. 1

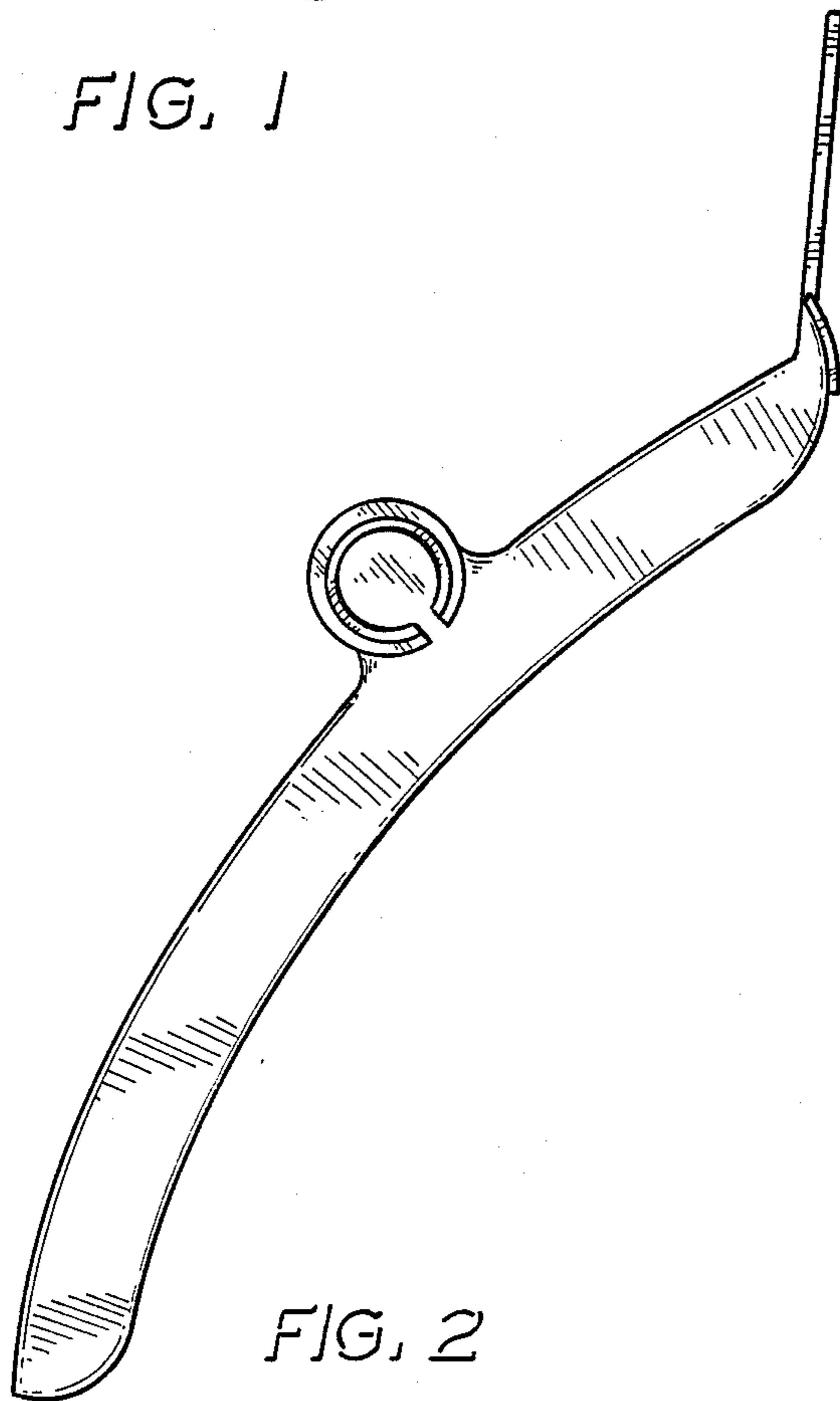


FIG. 2

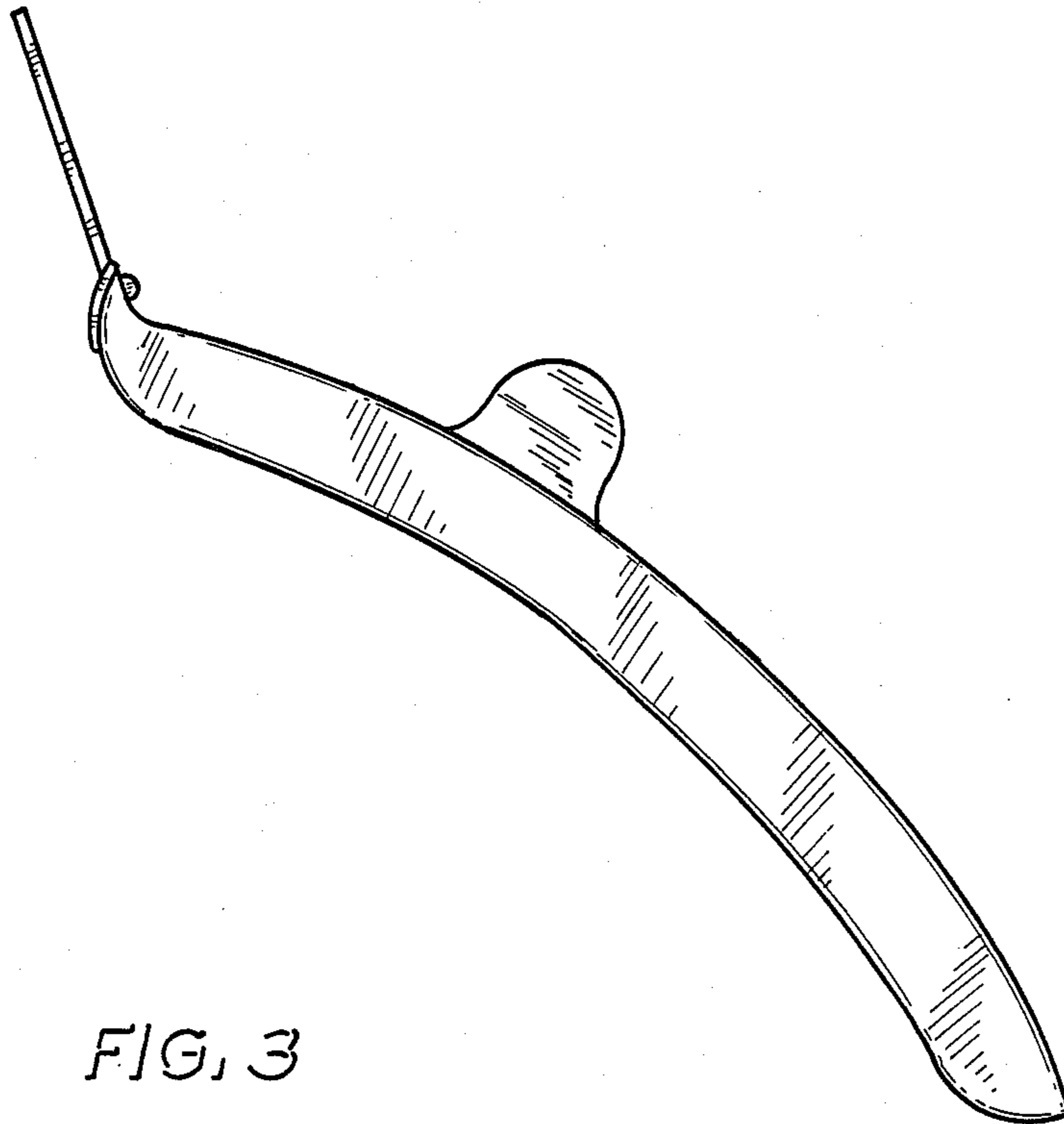


FIG. 3

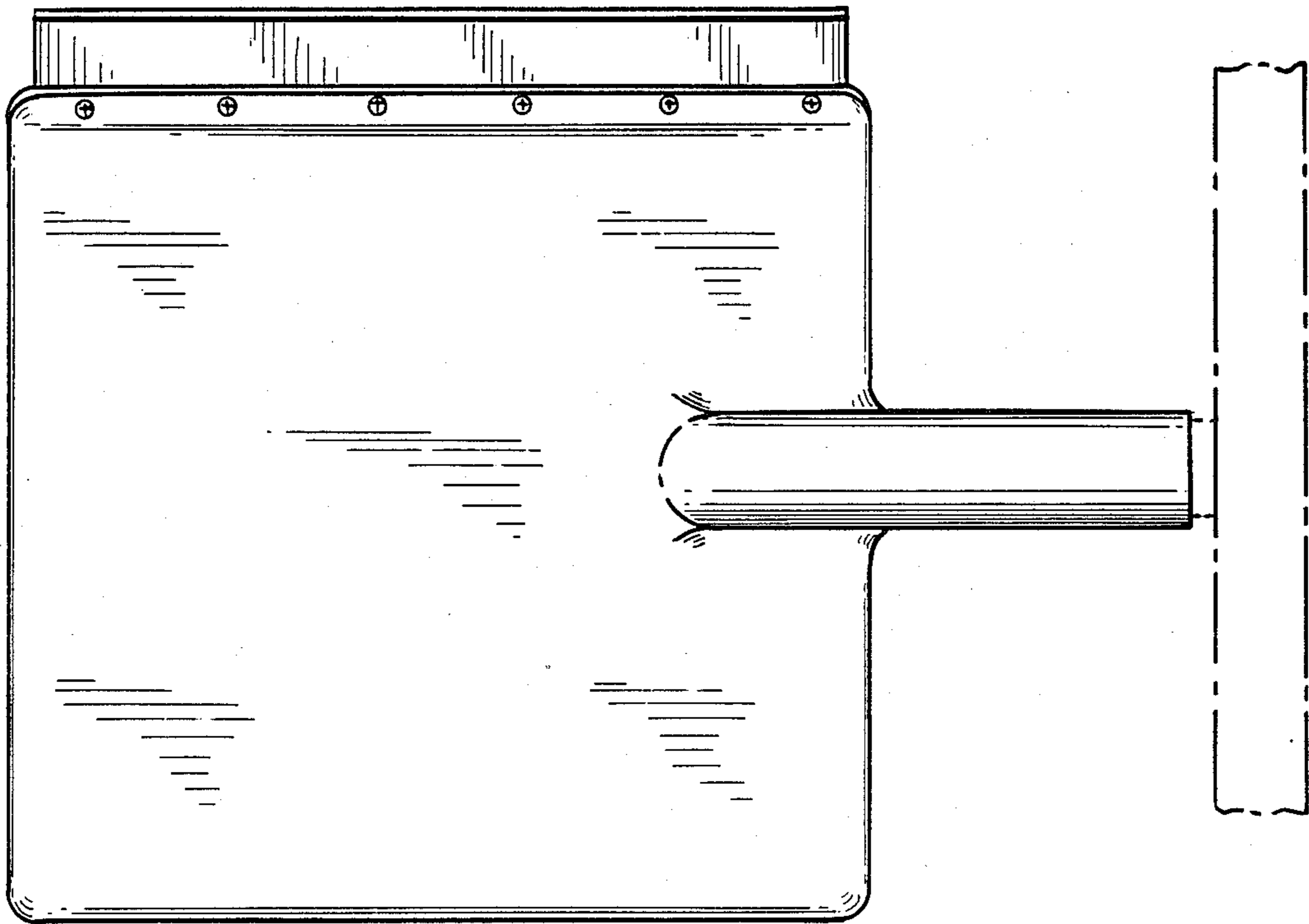


FIG. 4

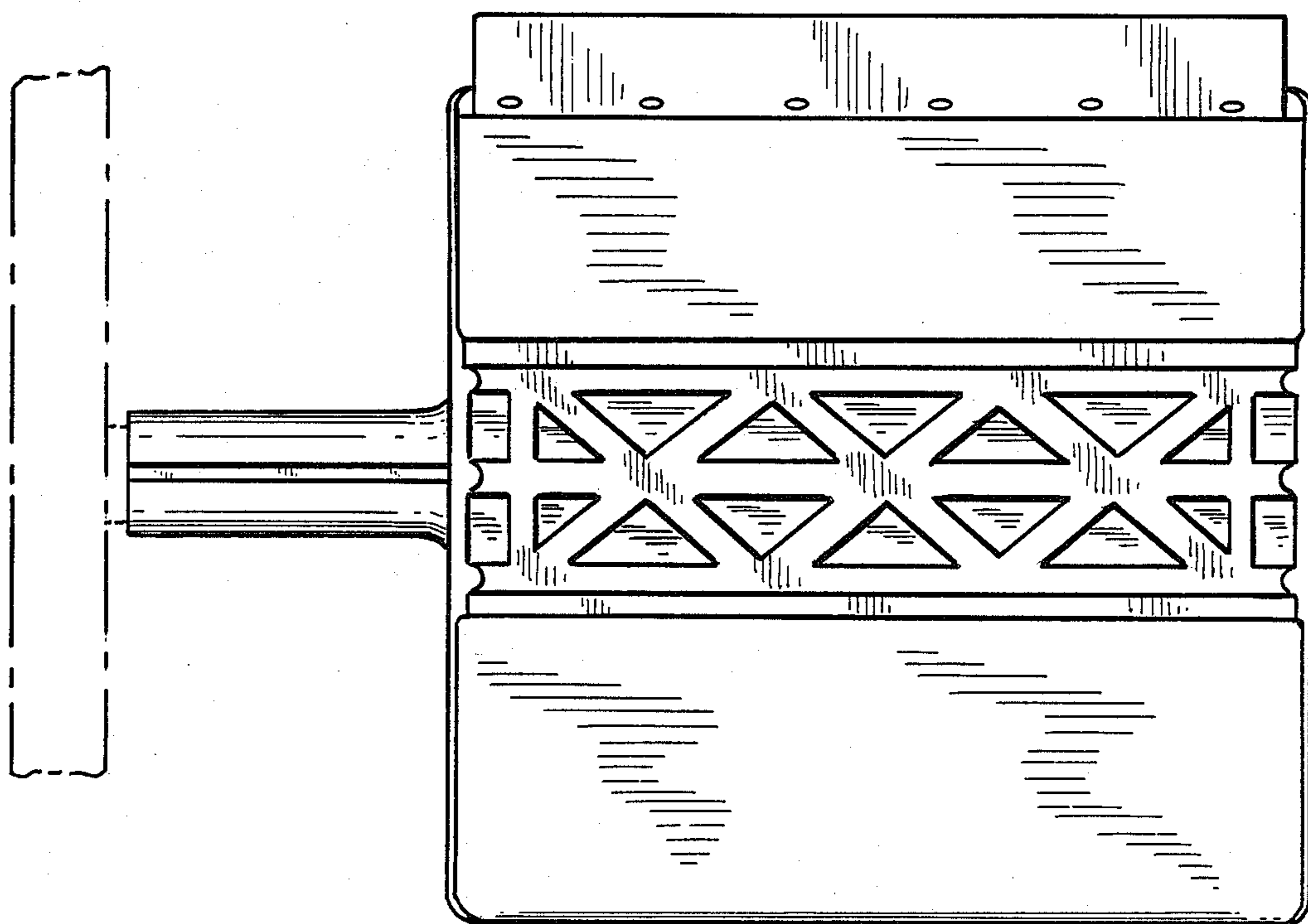


FIG. 5

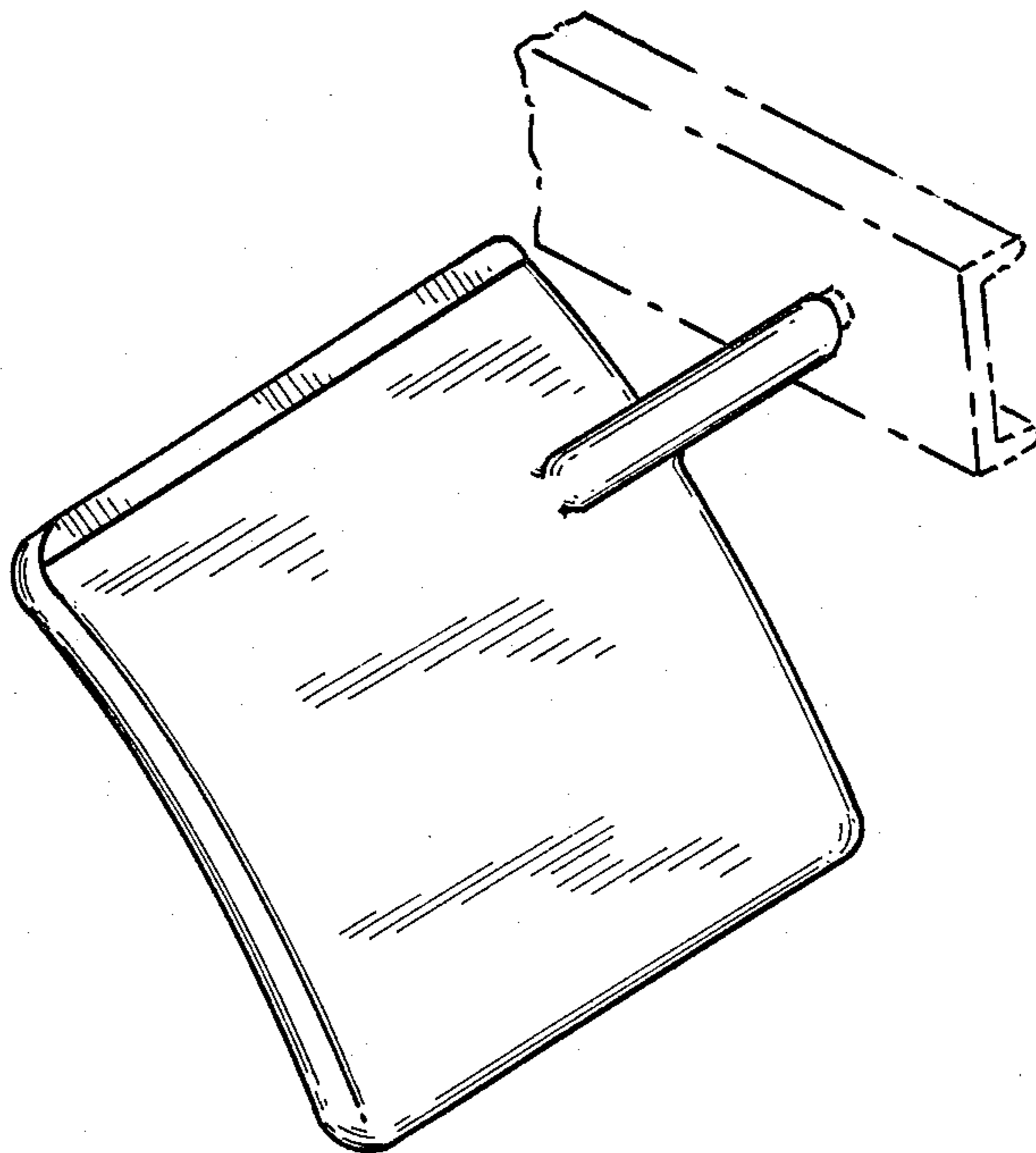


FIG. 6