

[54] SAIL CRUISER BICYCLE

[76] Inventor: Richard H. Allen, 500 S. Chaffee Rd., Lot 197, Jacksonville, Fla. 32221

[\*\*] Term: 14 Years

[21] Appl. No.: 75,863

[22] Filed: Jul. 20, 1987

[52] U.S. Cl. .... D12/111

[58] Field of Search ..... D12/1, 111, 107; 280/213, 281 R

[56] References Cited

U.S. PATENT DOCUMENTS

3,986,722	10/1976	Patterson	.....	D12/1
3,994,508	11/1976	Danner	.....	280/213
4,557,495	12/1985	Kindermann	.....	280/213

OTHER PUBLICATIONS

American Bicyclist & Motorcyclist, 12/86, p. 77, Trac West Bicycle Frame, top right side of page.

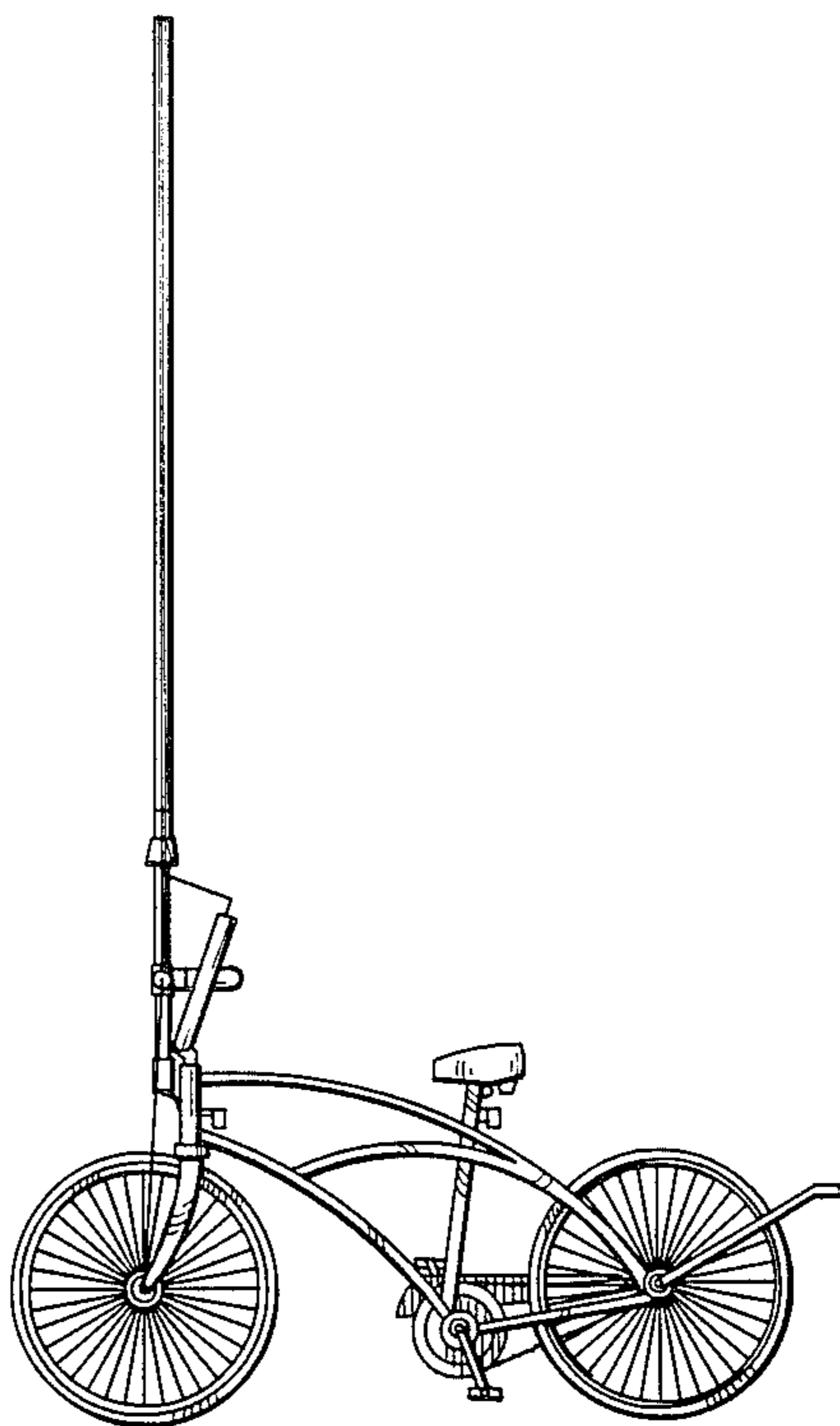
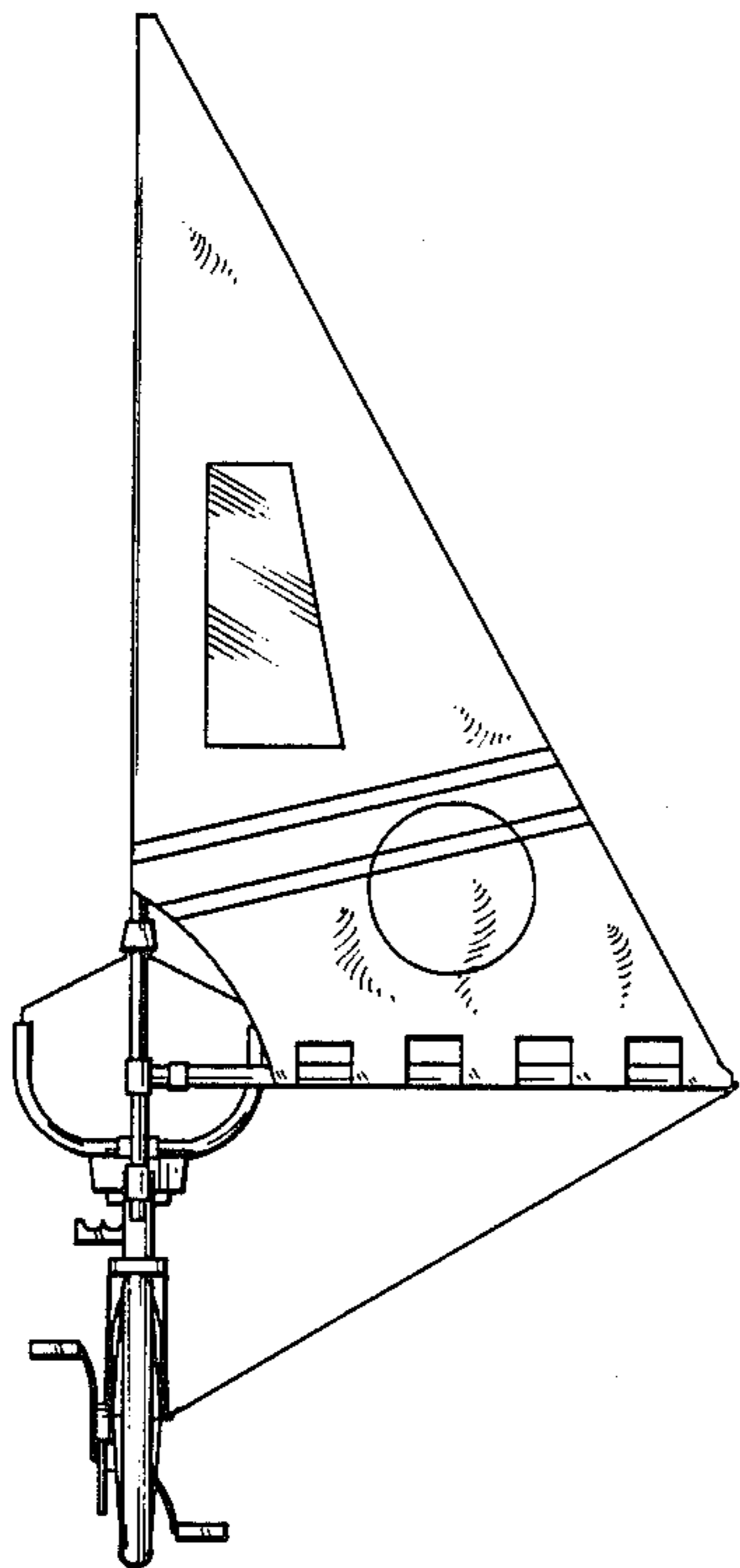
Primary Examiner—James M. Gandy  
Attorney, Agent, or Firm—Jerry T. Kearns

[57] CLAIM

The ornamental design for a sail cruiser bicycle, as shown.

DESCRIPTION

FIG. 1 is a front elevational view of a sail cruiser bicycle showing my new design;  
FIG. 2 is a rear elevational view thereof;  
FIG. 3 is a left side elevational view thereof;  
FIG. 4 is a right side elevational view thereof; and,  
FIG. 5 is a top plan view thereof.



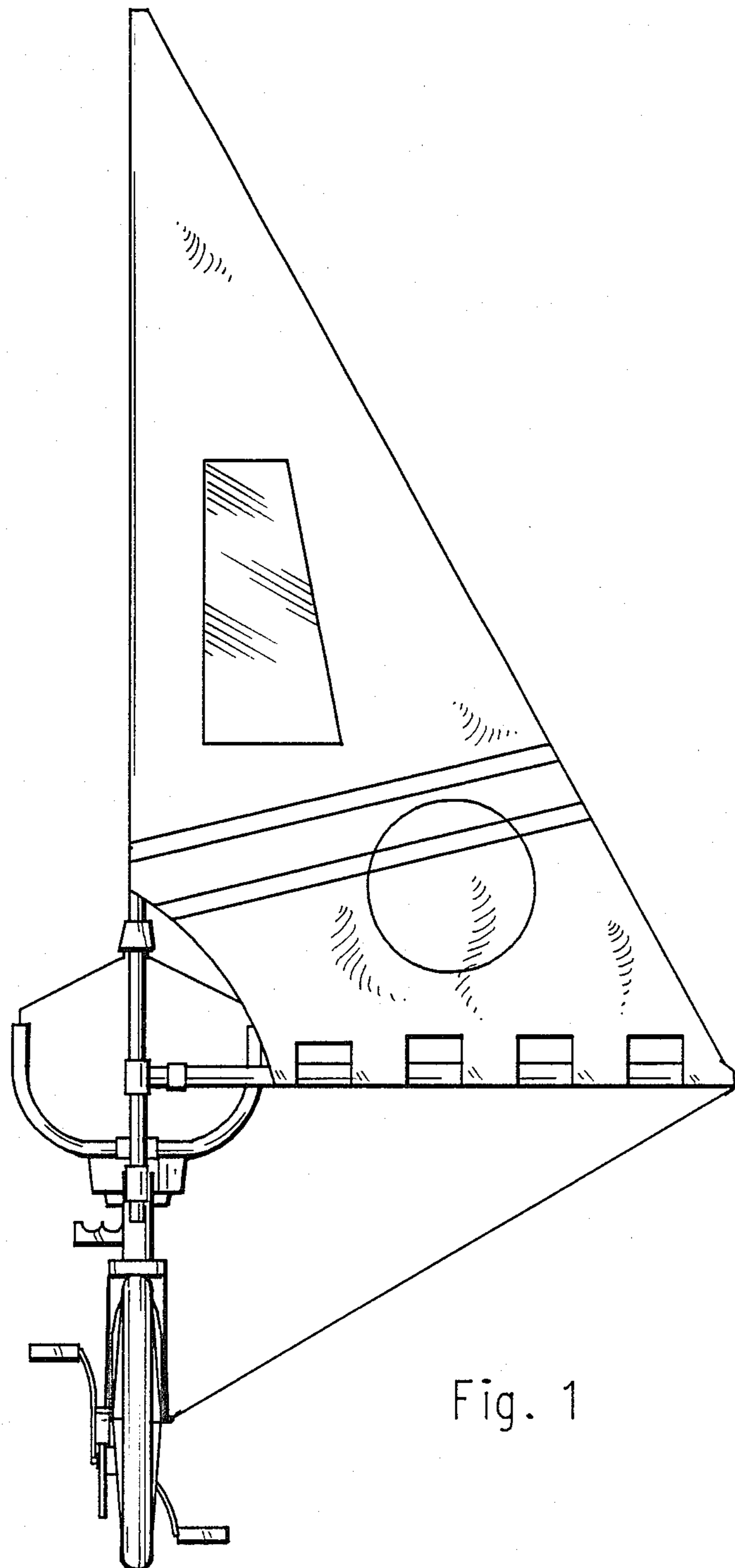


Fig. 1

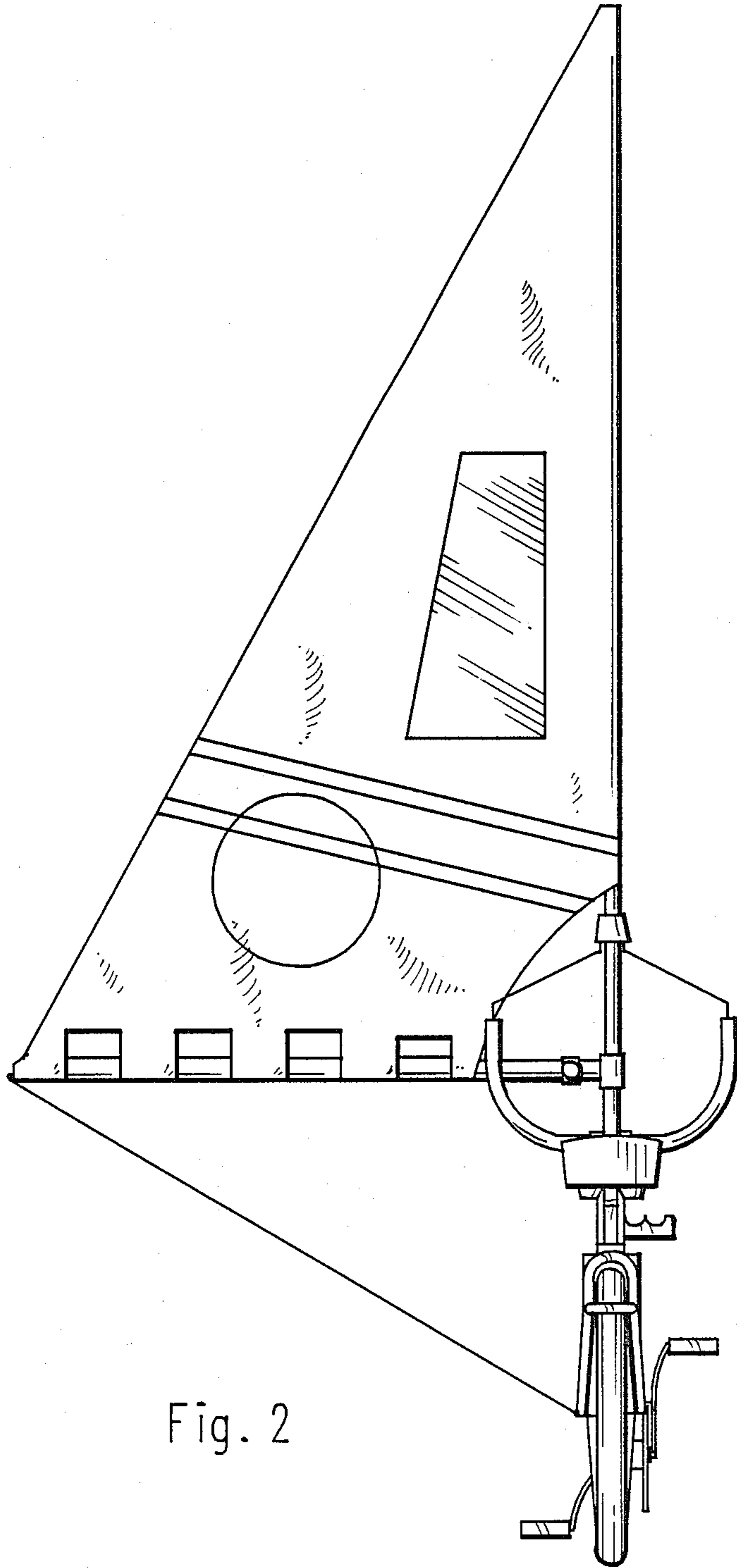


Fig. 2

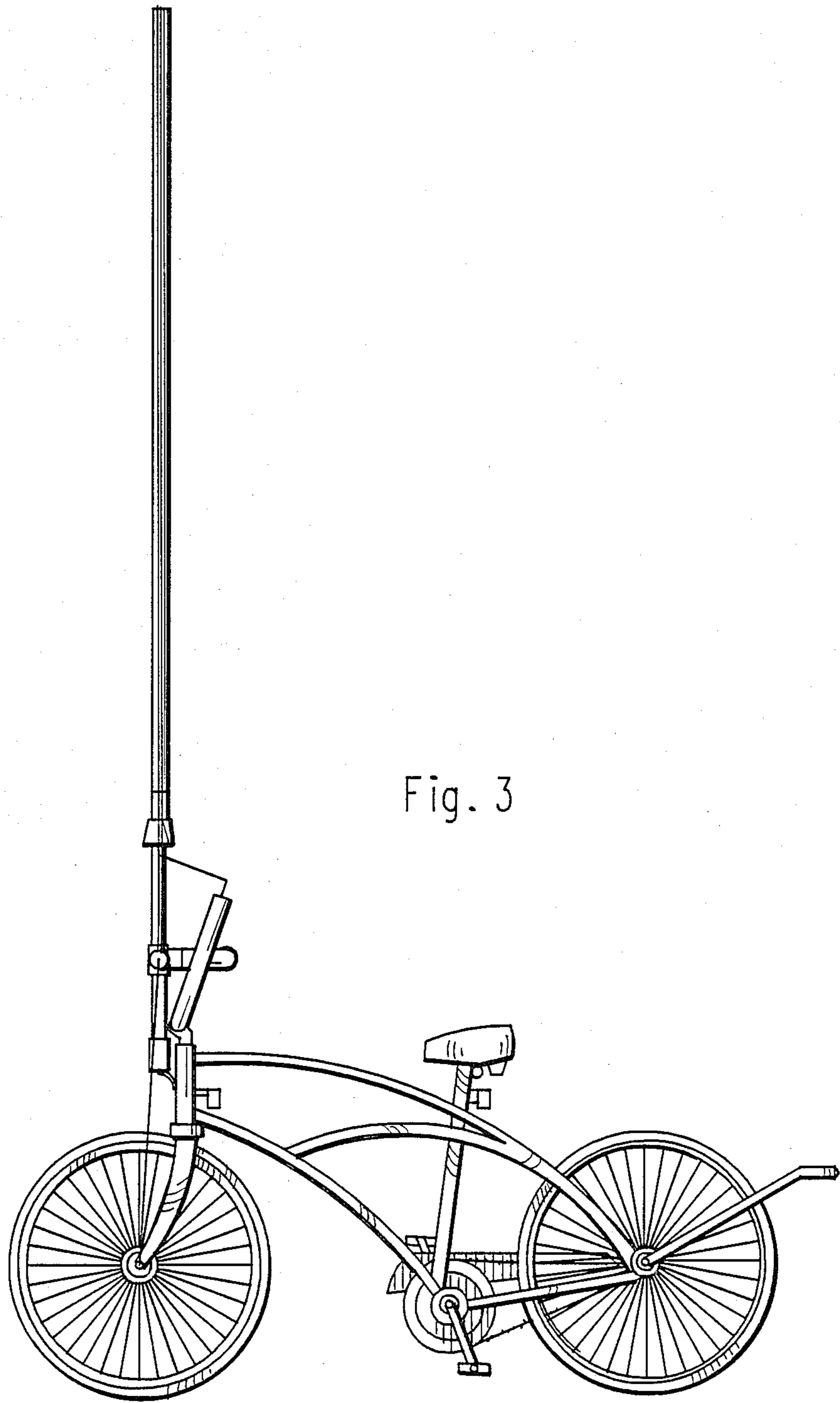
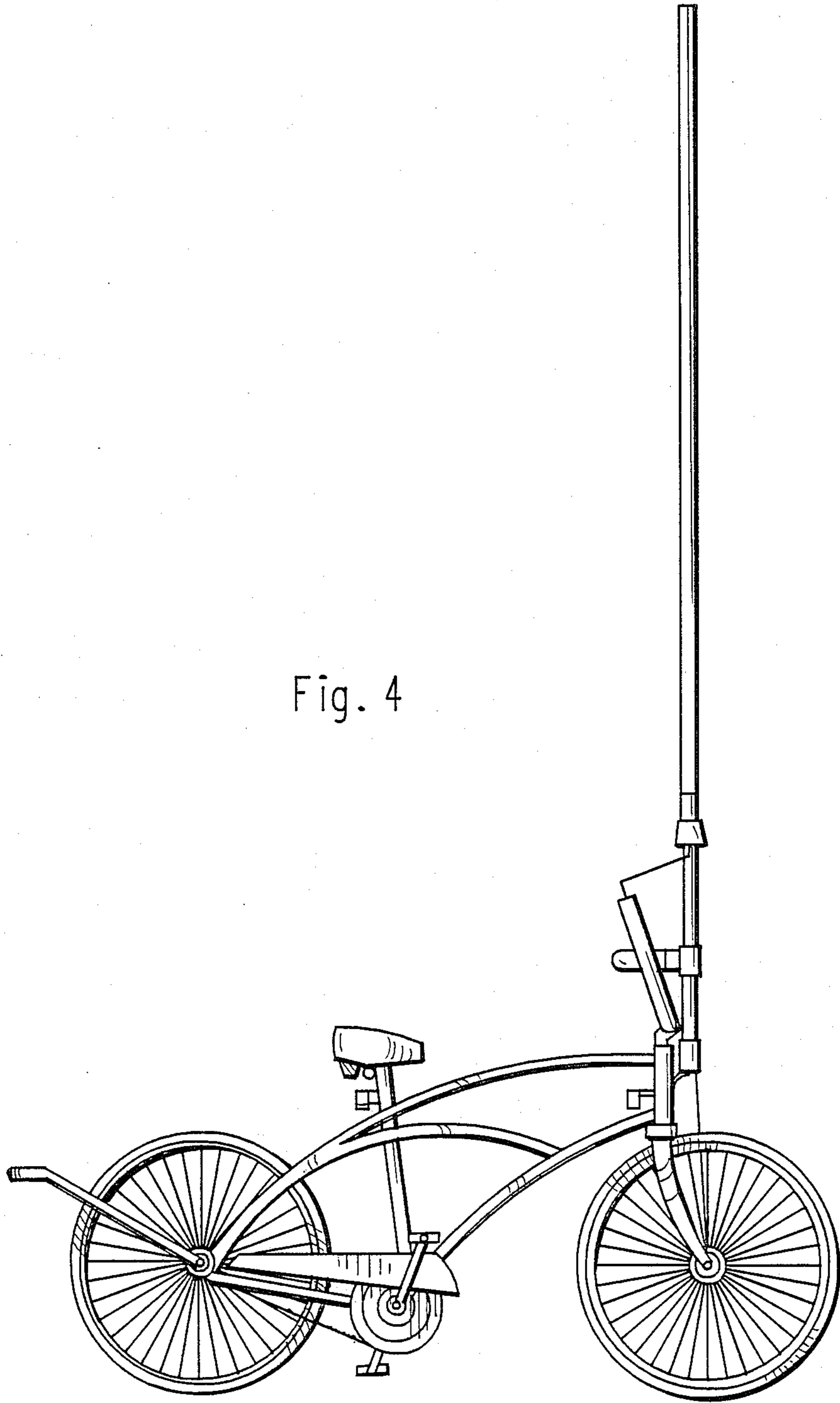


Fig. 3

Fig. 4



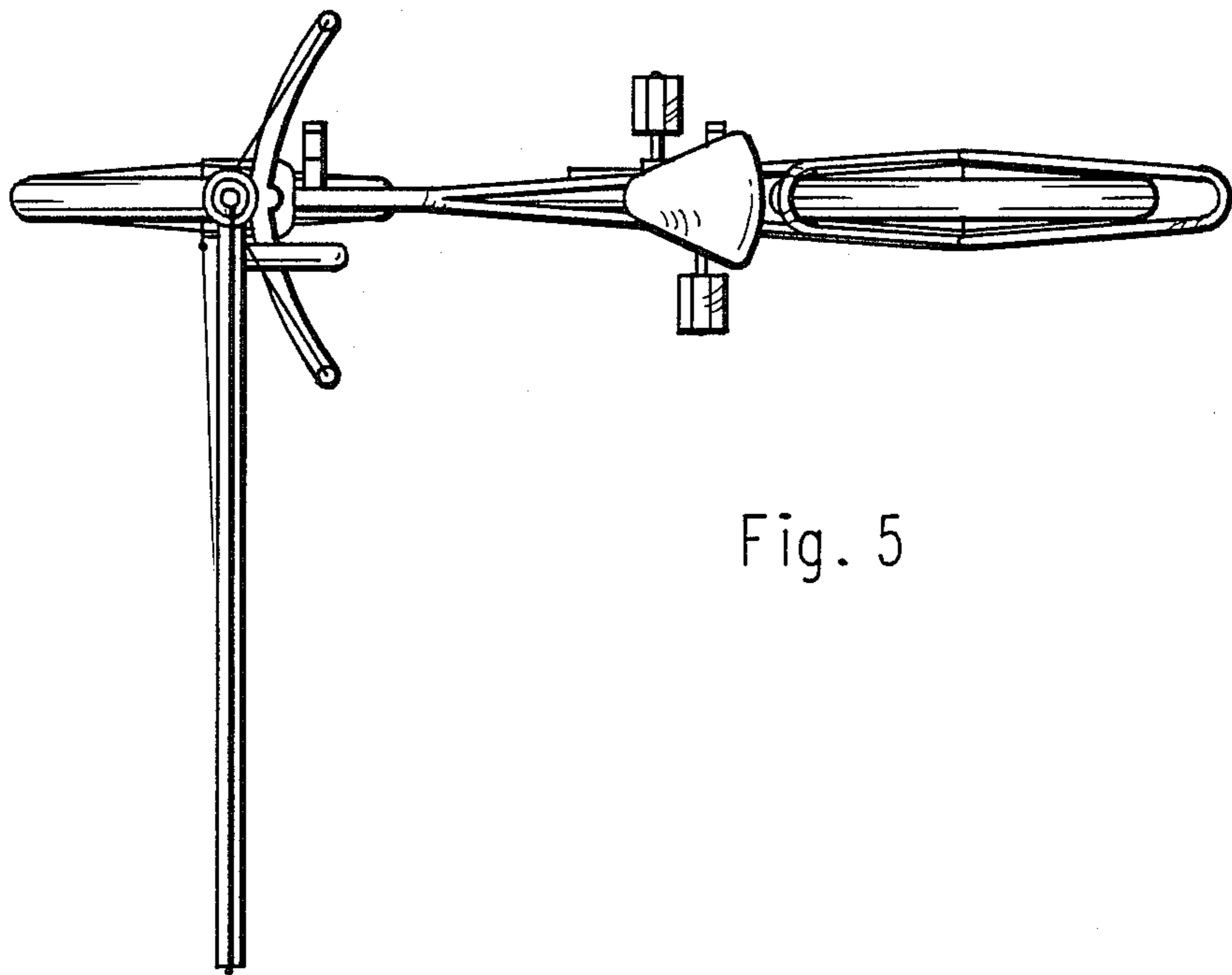


Fig. 5