

[54] **BUCKLE**  
[76] **Inventor: Fu-Chen Jang, No. 71-1, Ta-Miao Village, Kuei-Jen, Tainan, Taiwan**  
[\*\*] **Term: 14 Years**  
[21] **Appl. No.: 44,563**  
[22] **Filed: May 1, 1987**  
[52] **U.S. Cl. .... D11/216**  
[58] **Field of Search ..... D11/214, 215, 216, 218, D11/200, 201, 208; 24/580, 644, 650, 651, 616, 617, 163 K**

2,451,175 11/1980 Sappey ..... 24/616

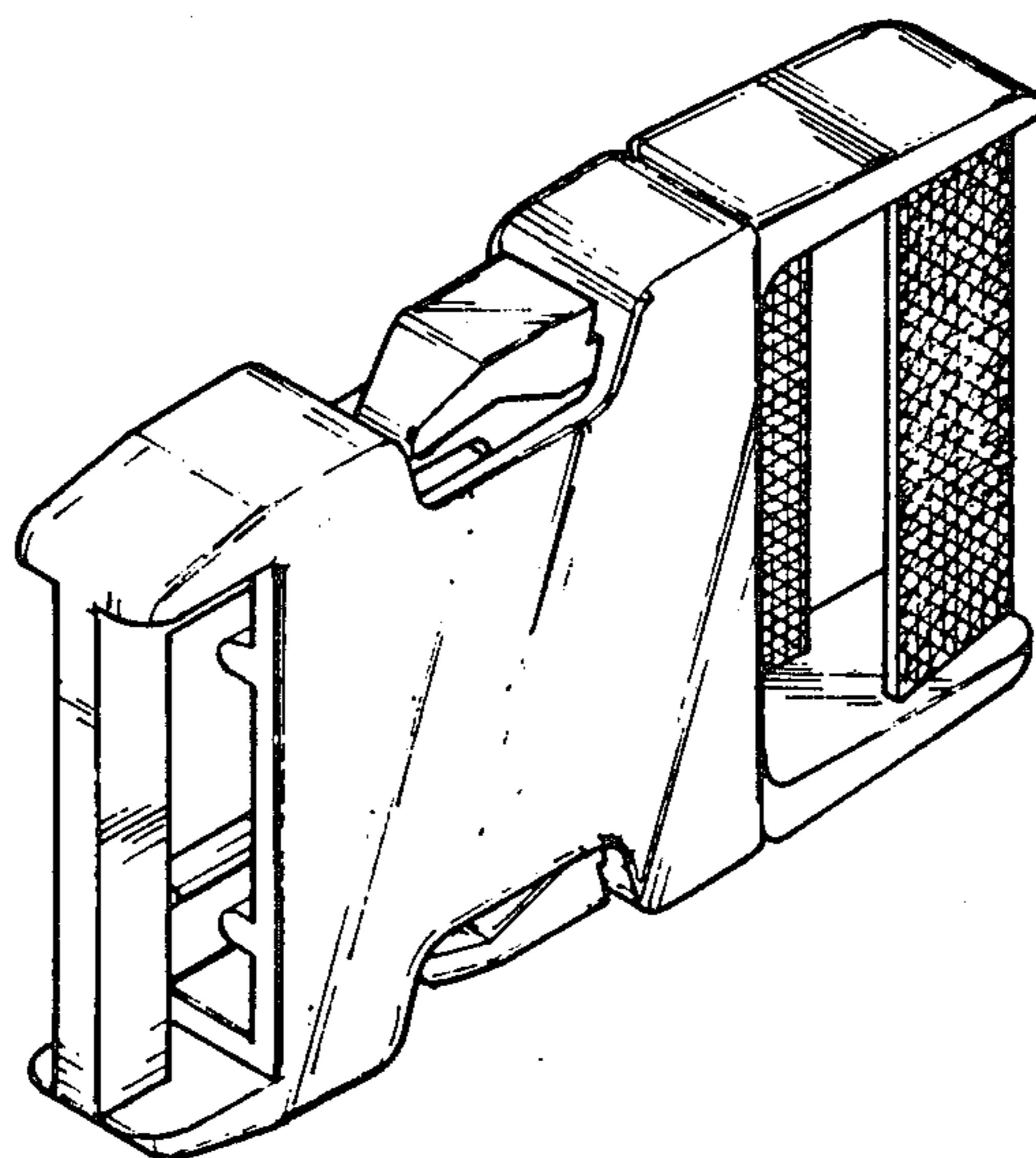
*Primary Examiner*—Louis S. Zarfes  
*Assistant Examiner*—R. Seifert  
*Attorney, Agent, or Firm*—Morton J. Rosenberg

[57] **CLAIM**  
The ornamental design for a buckle, as shown.

**DESCRIPTION**

FIG. 1 is a perspective view of a buckle showing my new design;  
FIG. 2 is a front elevational view;  
FIG. 3 is a rear elevational view;  
FIG. 4 is a left side elevational view;  
FIG. 5 is a right side elevational view;  
FIG. 6 is a top plan view; and  
FIG. 7 is a bottom plan view.

[56] **References Cited**  
**U.S. PATENT DOCUMENTS**  
D. 292,898 11/1987 Kasai ..... D11/216



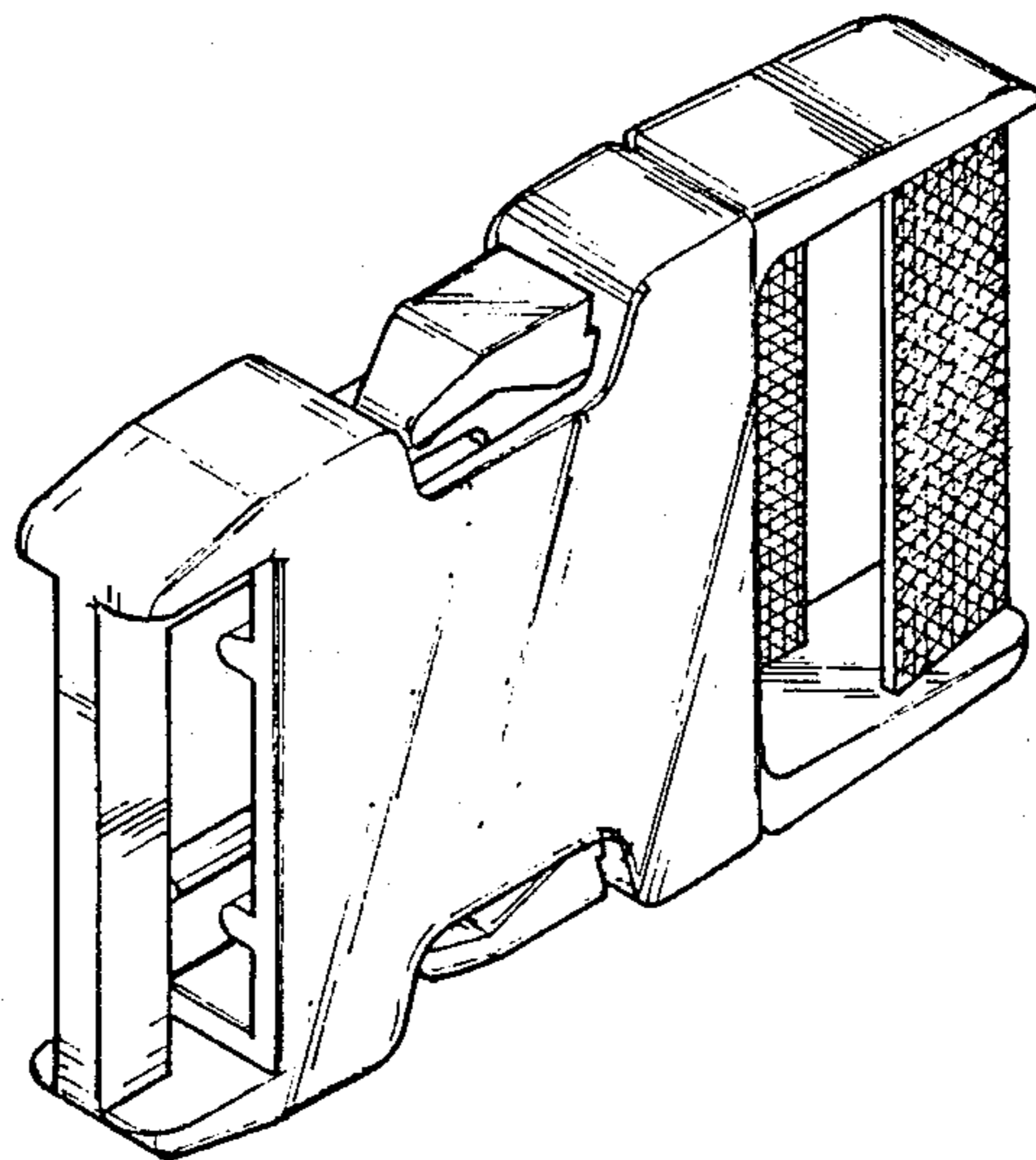


FIG. 1

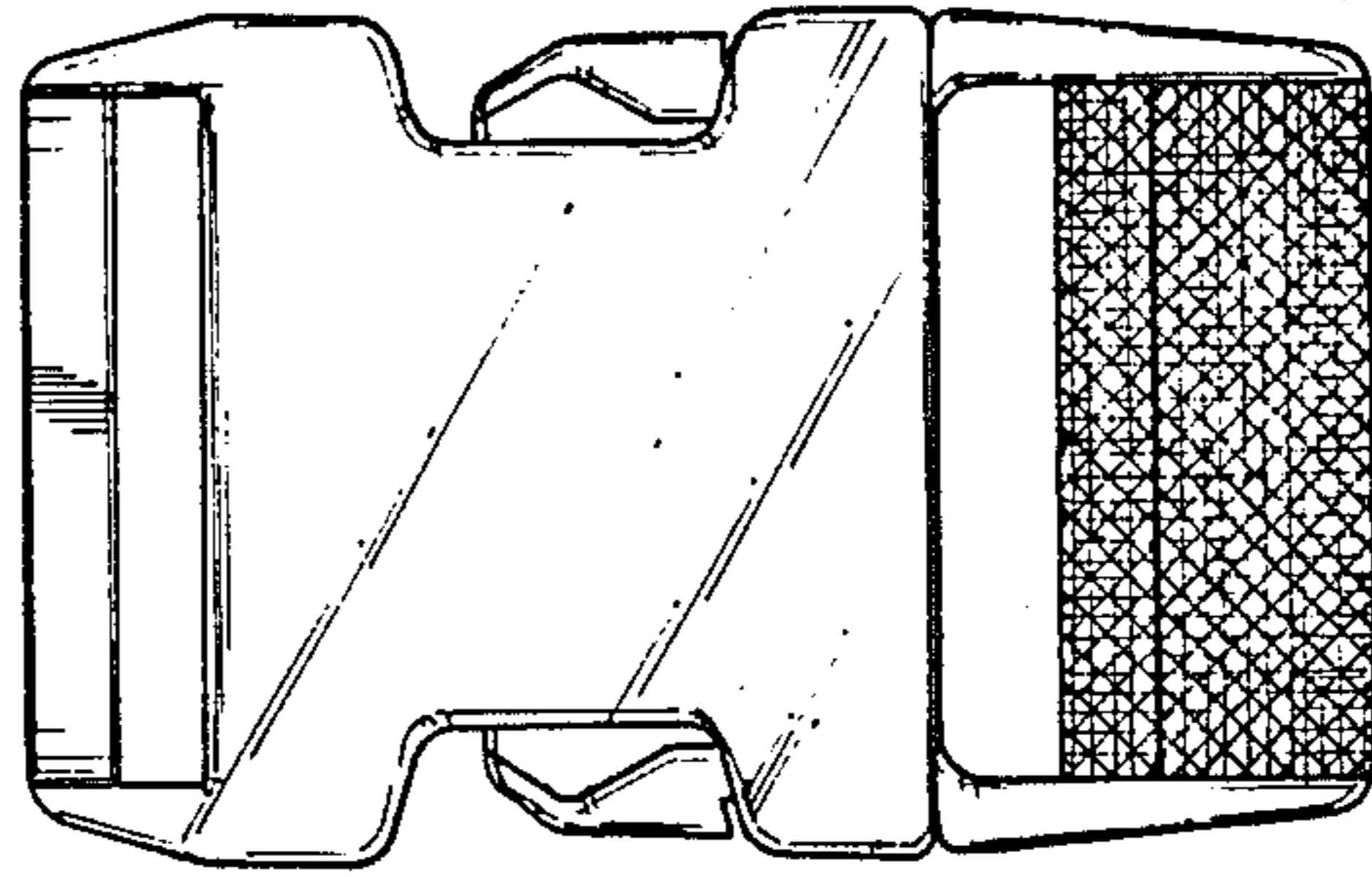


FIG. 2

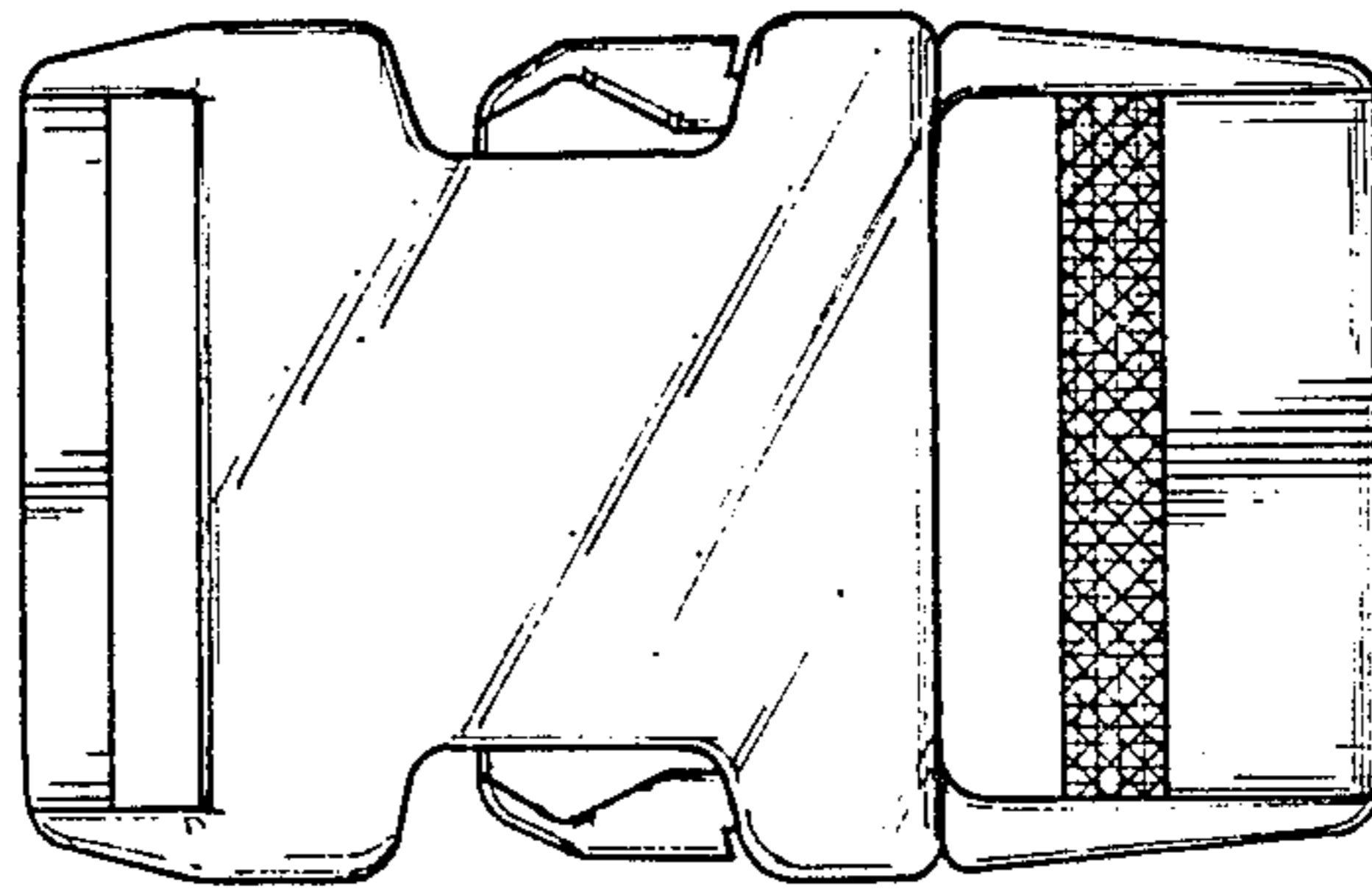


FIG. 3

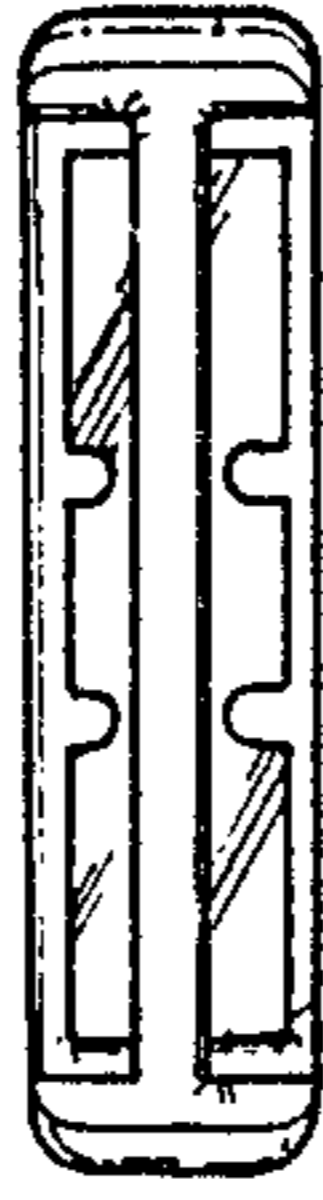


FIG. 4



FIG. 5

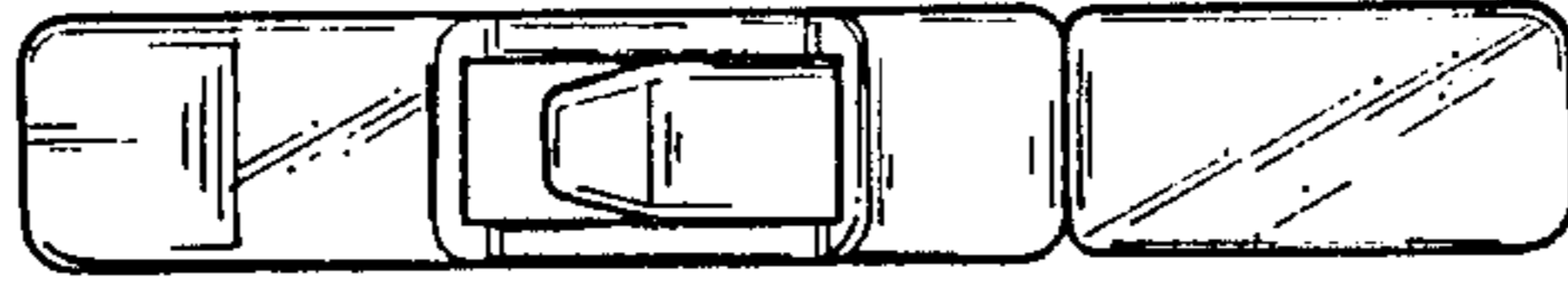


FIG. 6



FIG. 7