

[54] WEB ADJUSTER

[75] Inventors: Allan R. Lortz, Carmel; Jerry D. Bougher, Lebanon, both of Ind.

[73] Assignee: Indiana Mills & Manufacturing, Inc., Westfield, Ind.

[*] Notice: The portion of the term of this patent subsequent to Jul. 12, 2002 has been disclaimed.

[**] Term: 14 Years

[21] Appl. No.: 880,506

[22] Filed: Jun. 30, 1986

3,091,830	6/1963	Harley	24/170
3,145,442	8/1964	Brown	24/311
3,165,805	1/1965	Lower	D11/216
3,177,545	4/1965	Svensson	24/170
3,686,715	8/1972	Brodnicki	24/170
3,872,550	3/1975	Yang	24/170

FOREIGN PATENT DOCUMENTS

0100283	2/1965	Denmark	24/311
---------	--------	---------	--------

Primary Examiner—B. J. Bullock
Attorney, Agent, or Firm—Woodard, Emhardt, Naughton, Moriarty & McNett

[57] CLAIM

The ornamental design for a web adjuster, as shown and described.

Related U.S. Application Data

[63] Continuation-in-part of Ser. No. 810,874, Dec. 17, 1985, Pat. No. Des. 296,678.

[52] U.S. Cl. D11/216

[58] Field of Search D11/216, 200, 201; 24/168, 170, 132 R, 134 R, 134 L, 311

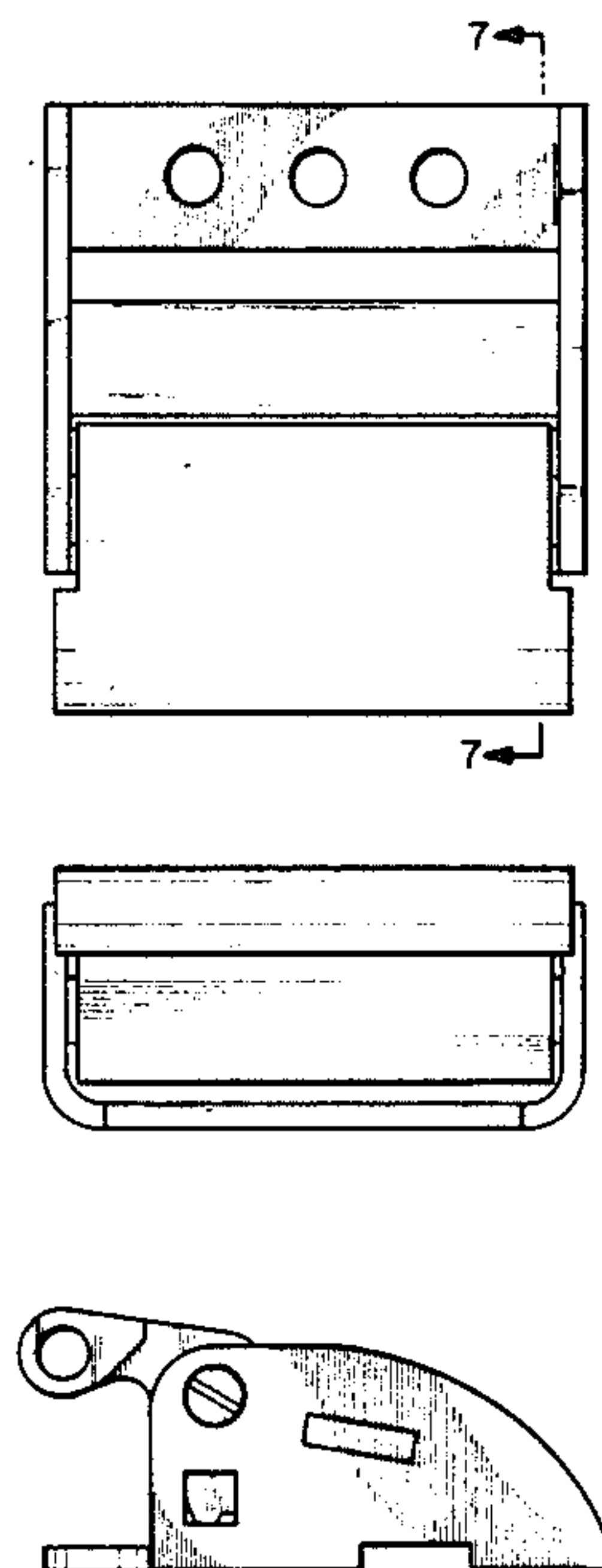
References Cited

U.S. PATENT DOCUMENTS

D. 200,772	4/1965	Dahms	D11/216
2,537,307	1/1951	Griswold	24/170
3,011,237	12/1961	Prete, Jr.	24/170
3,084,411	4/1963	Lindblad	24/311

DESCRIPTION

FIG. 1 is a top view of a web adjuster showing our new design;
FIG. 2 is a bottom view thereof;
FIG. 3 is a front end view thereof;
FIG. 4 is a rear end view thereof;
FIG. 5 is a right side view thereof;
FIG. 6 is a left side view thereof;
FIG. 7 is a sectional view taken in the direction of the arrows on line 7—7 of FIG. 1;
The web being shown in broken lines for illustrative purposes only.



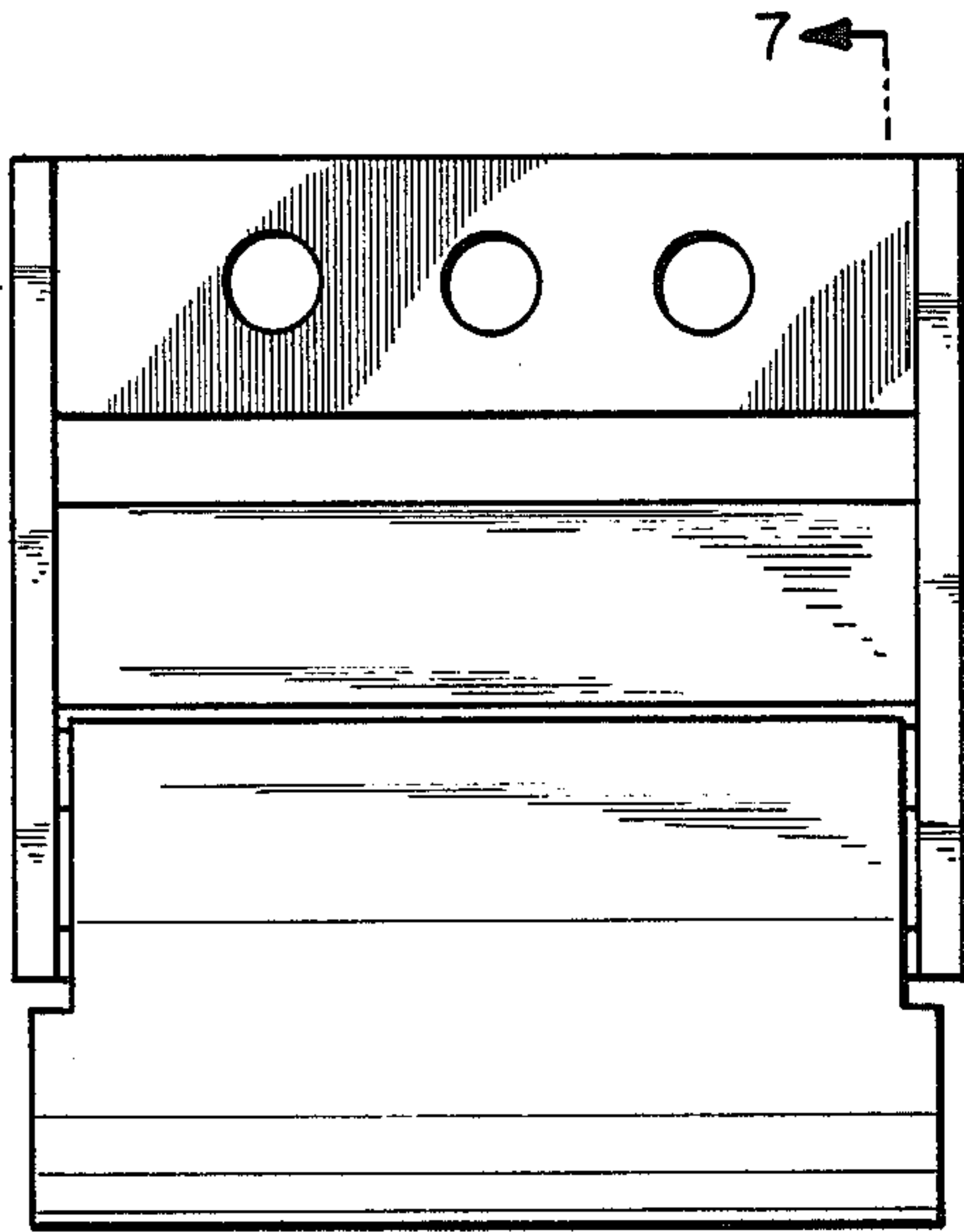


Fig. 1

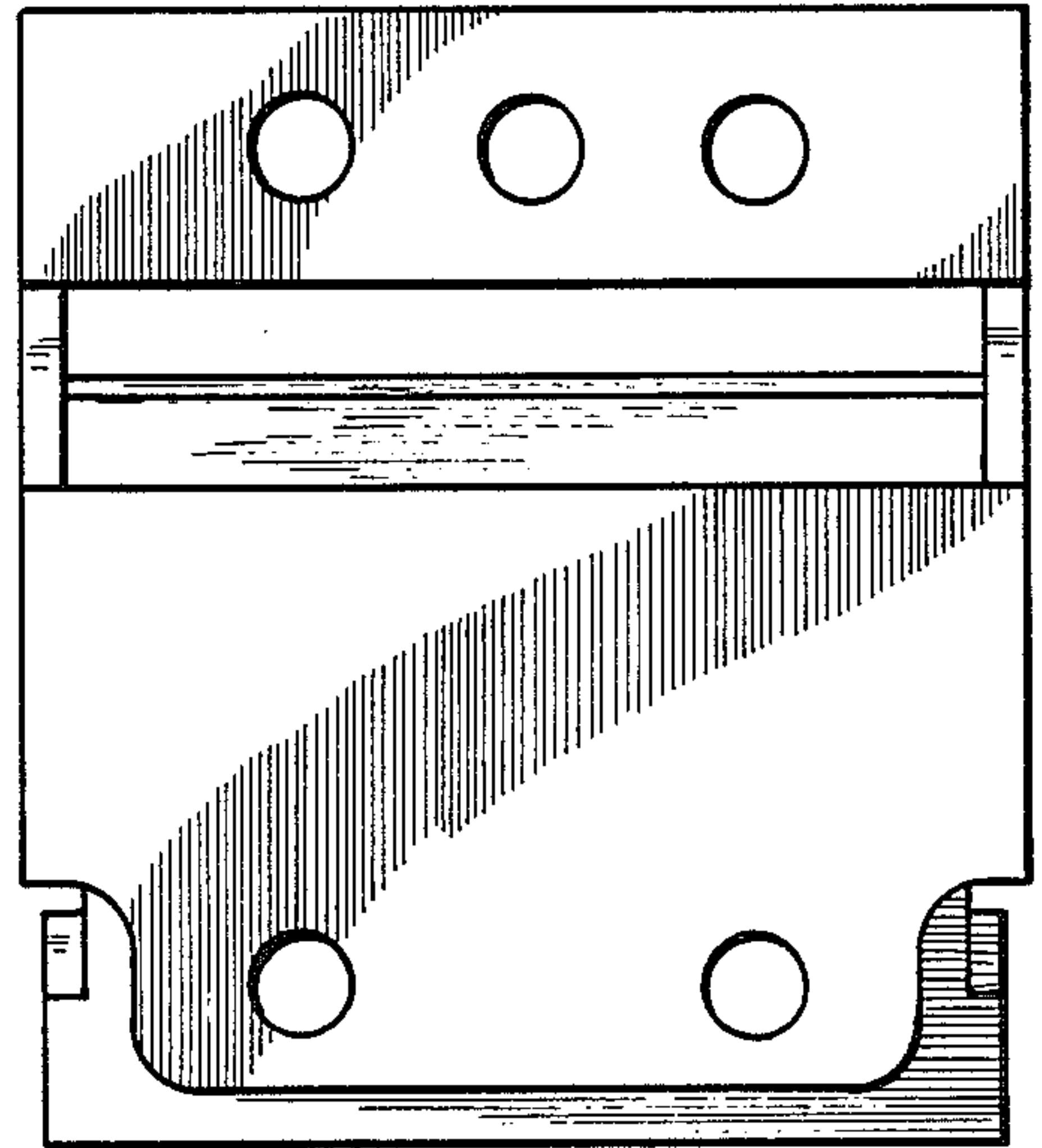


Fig. 2

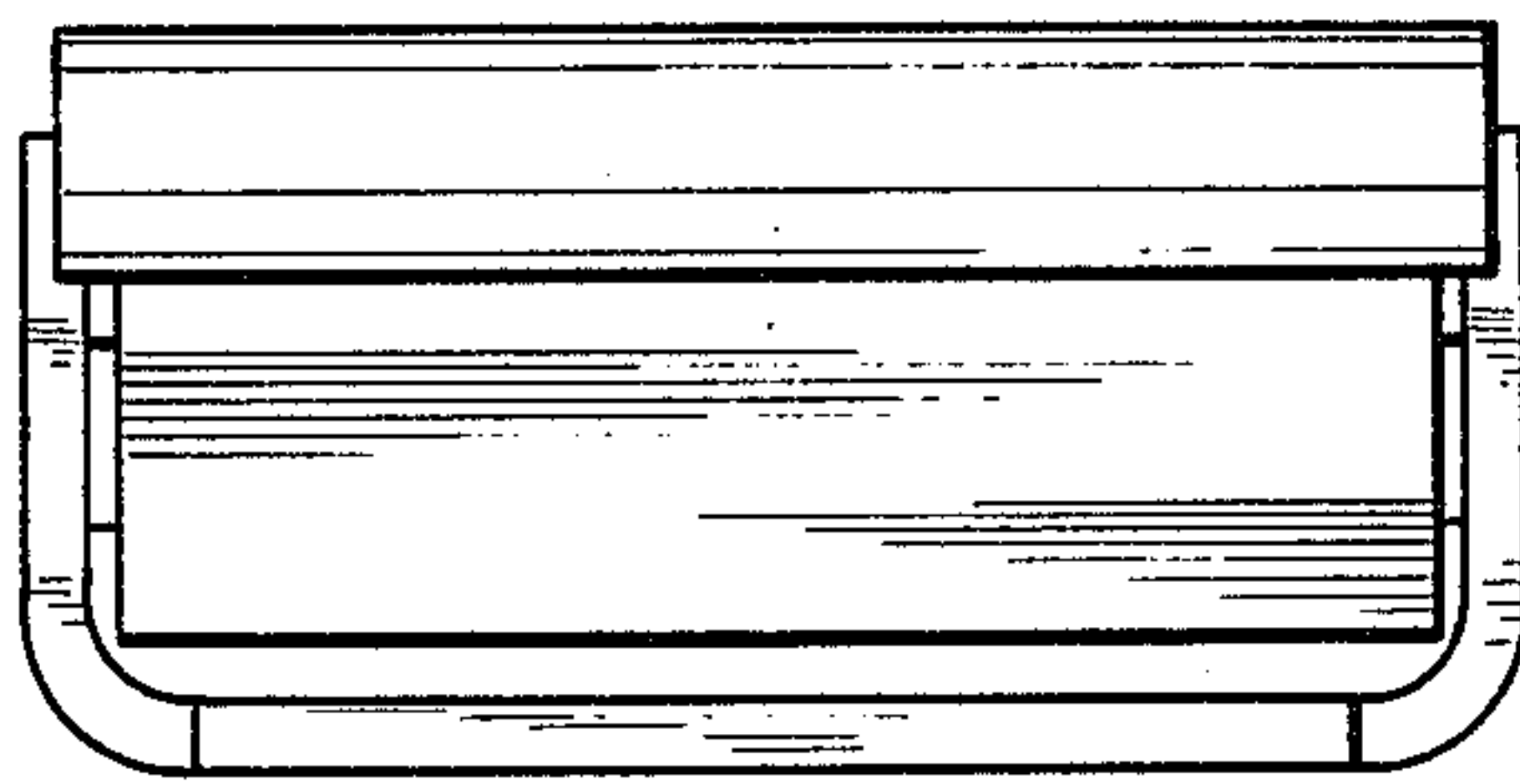


Fig. 3

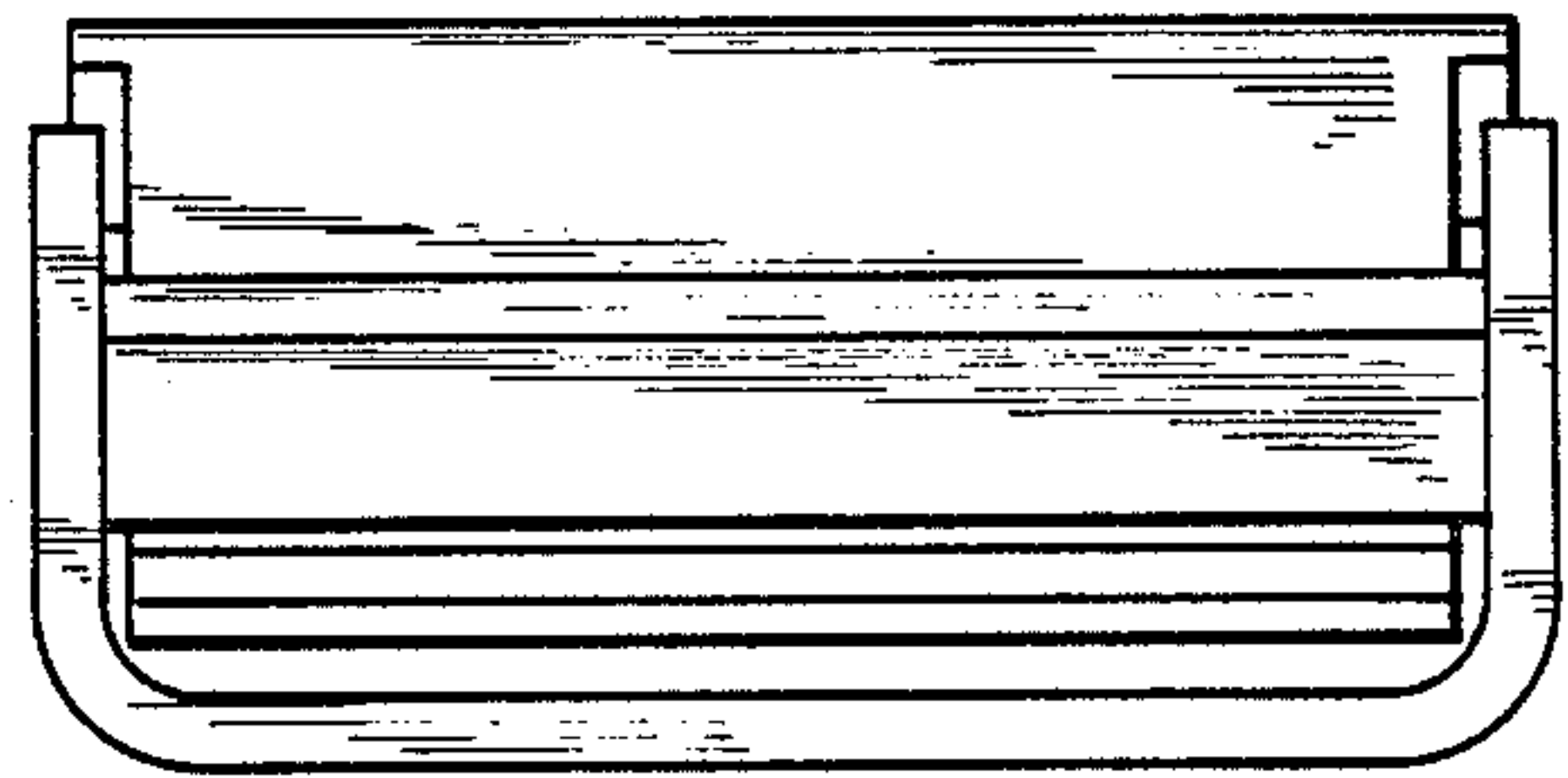


Fig. 4

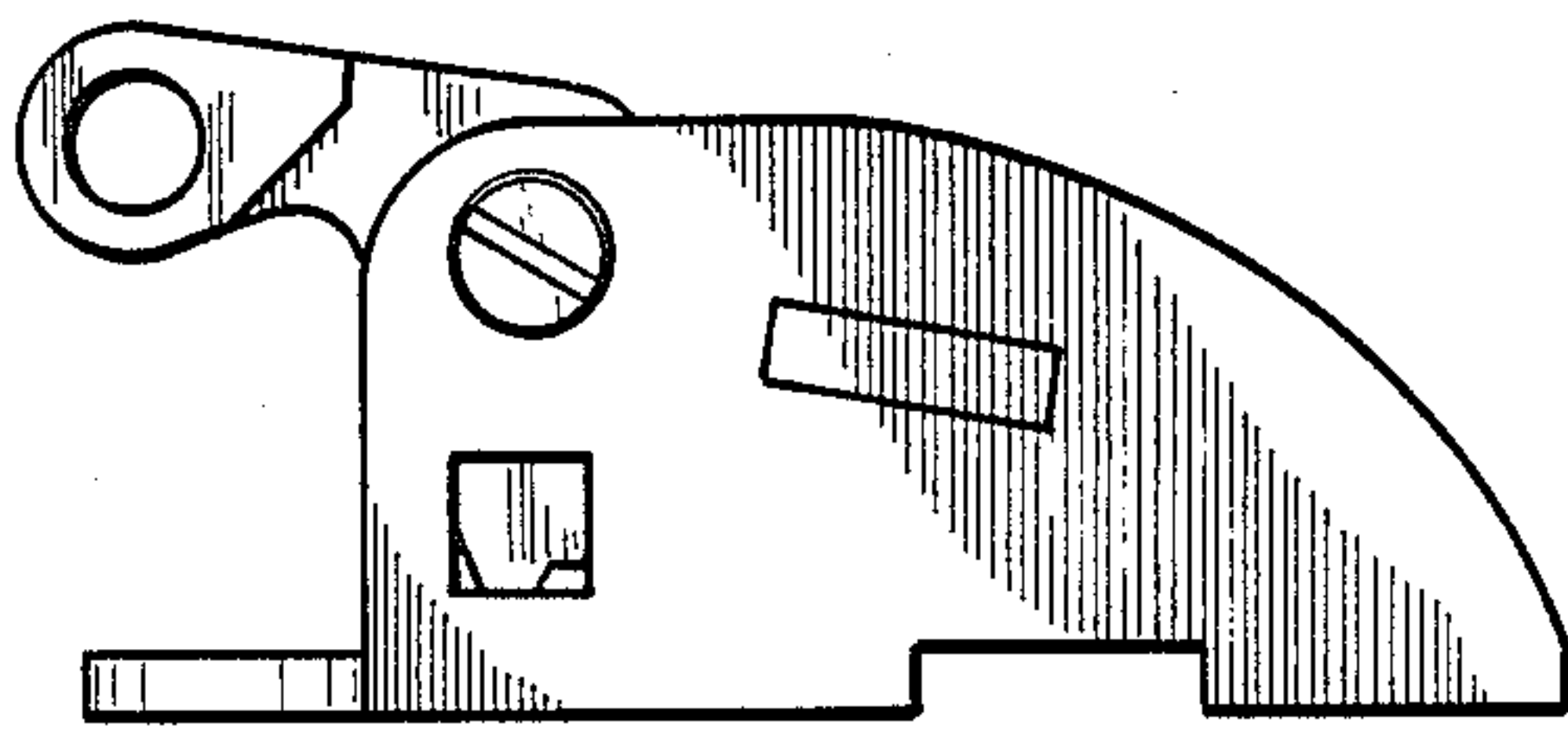


Fig. 5

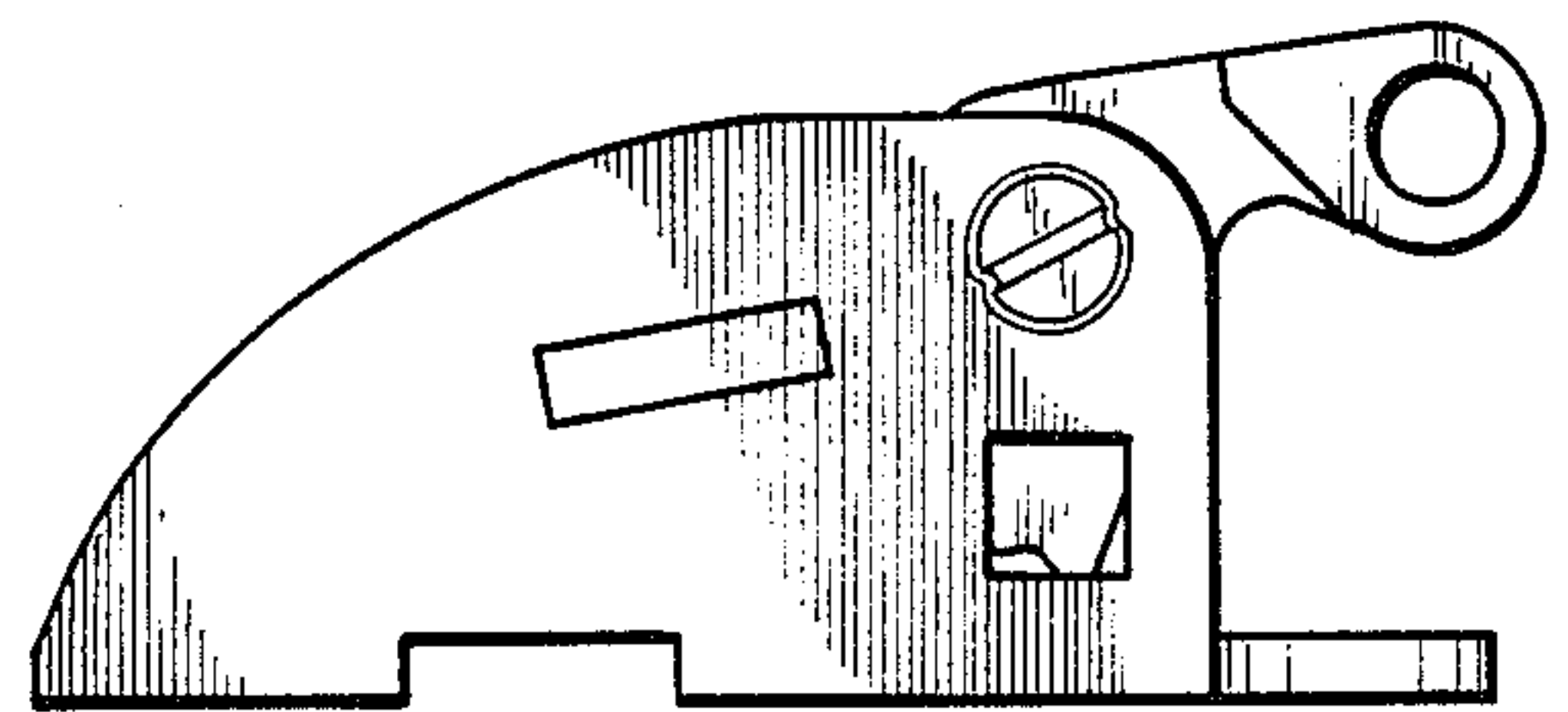


Fig. 6

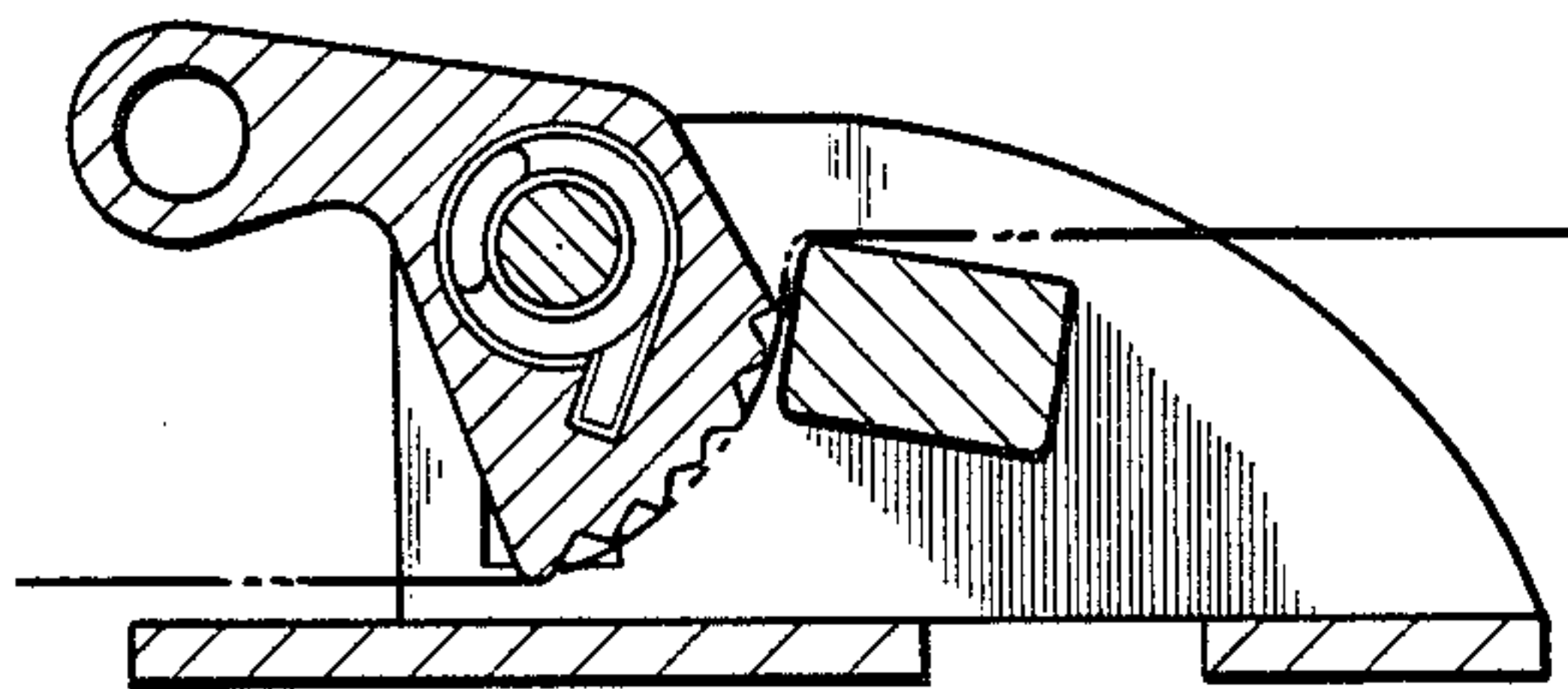


Fig. 7