

[54] **CLOCK MOVEMENT**

[75] **Inventor: Tsuyoshi Hayakawa, Tokyo, Japan**

[73] **Assignee: Seikosha Co., Ltd., Tokyo, Japan**

[**] **Term: 14 Years**

[21] **Appl. No.: 905,940**

[22] **Filed: Sep. 10, 1986**

[30] **Foreign Application Priority Data**

Apr. 30, 1986 [JP] Japan 61-16321

[52] **U.S. Cl. D10/129**

[58] **Field of Search D10/129; 368/220**

[56] **References Cited**

U.S. PATENT DOCUMENTS

- 1,505,521 8/1924 Kresser D10/129 X
- 4,351,040 9/1982 Aoki 368/220 X
- 4,464,062 8/1984 Inage 368/220

FOREIGN PATENT DOCUMENTS

- 0106892 7/1982 Japan 368/220
- 0230085 11/1985 Japan 368/220

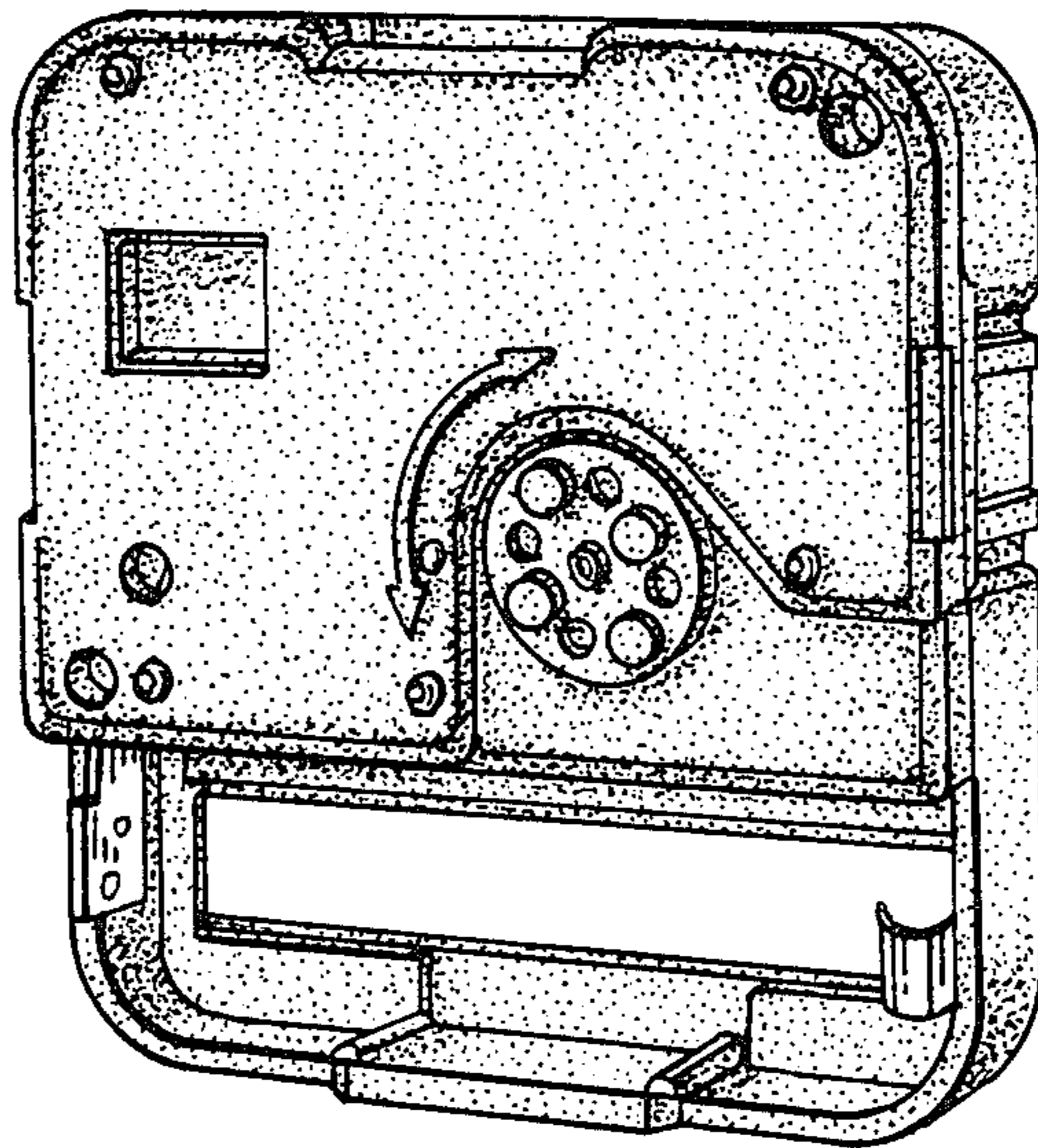
Primary Examiner—Nelson C. Holtje
Attorney, Agent, or Firm—Bruce L. Adams; Van C. Wilks

[57] **CLAIM**

The ornamental design for a clock movement, as shown and described.

DESCRIPTION

FIG. 1 is a front elevational view of a clock movement showing my new design;
FIG. 2 is a rear elevational view thereof;
FIG. 3 is a top plan view thereof;
FIG. 4 is a left side elevational view thereof;
FIG. 5 is a right side elevational view thereof;
FIG. 6 is a bottom plan view thereof;
FIG. 7 is a front perspective view thereof; and
FIG. 8 is a rear perspective view thereof.



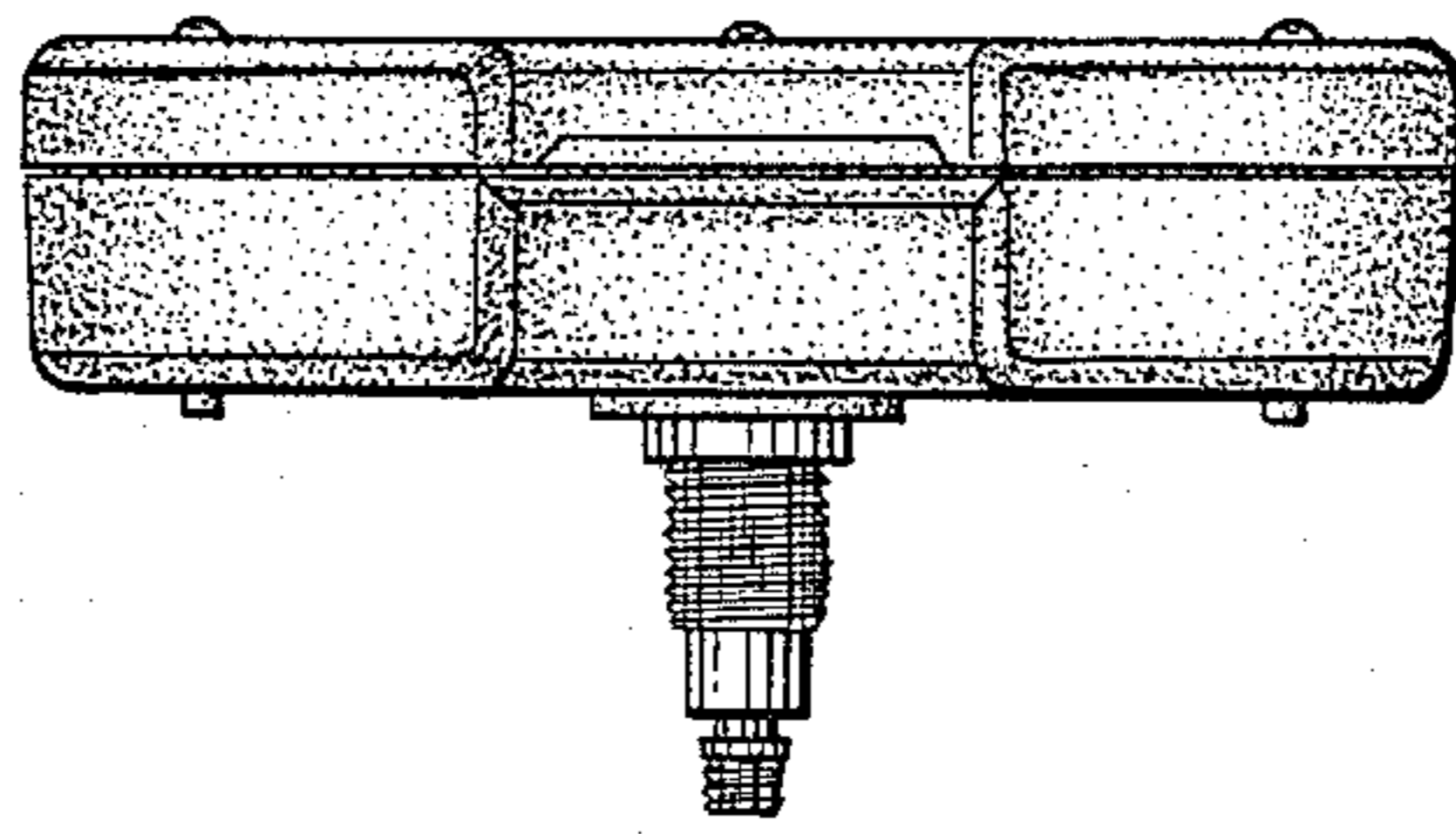


FIG. 3

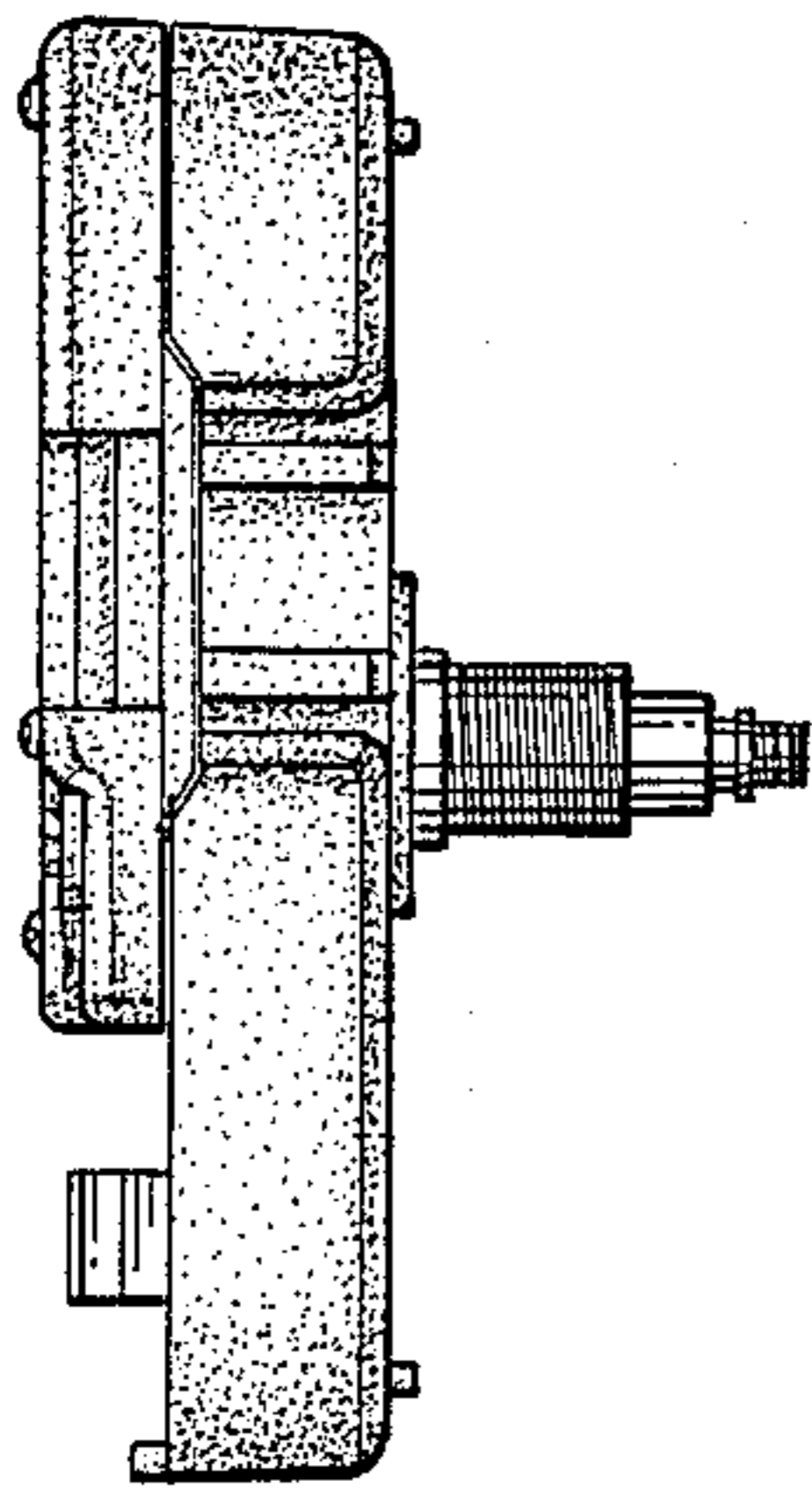


FIG. 4

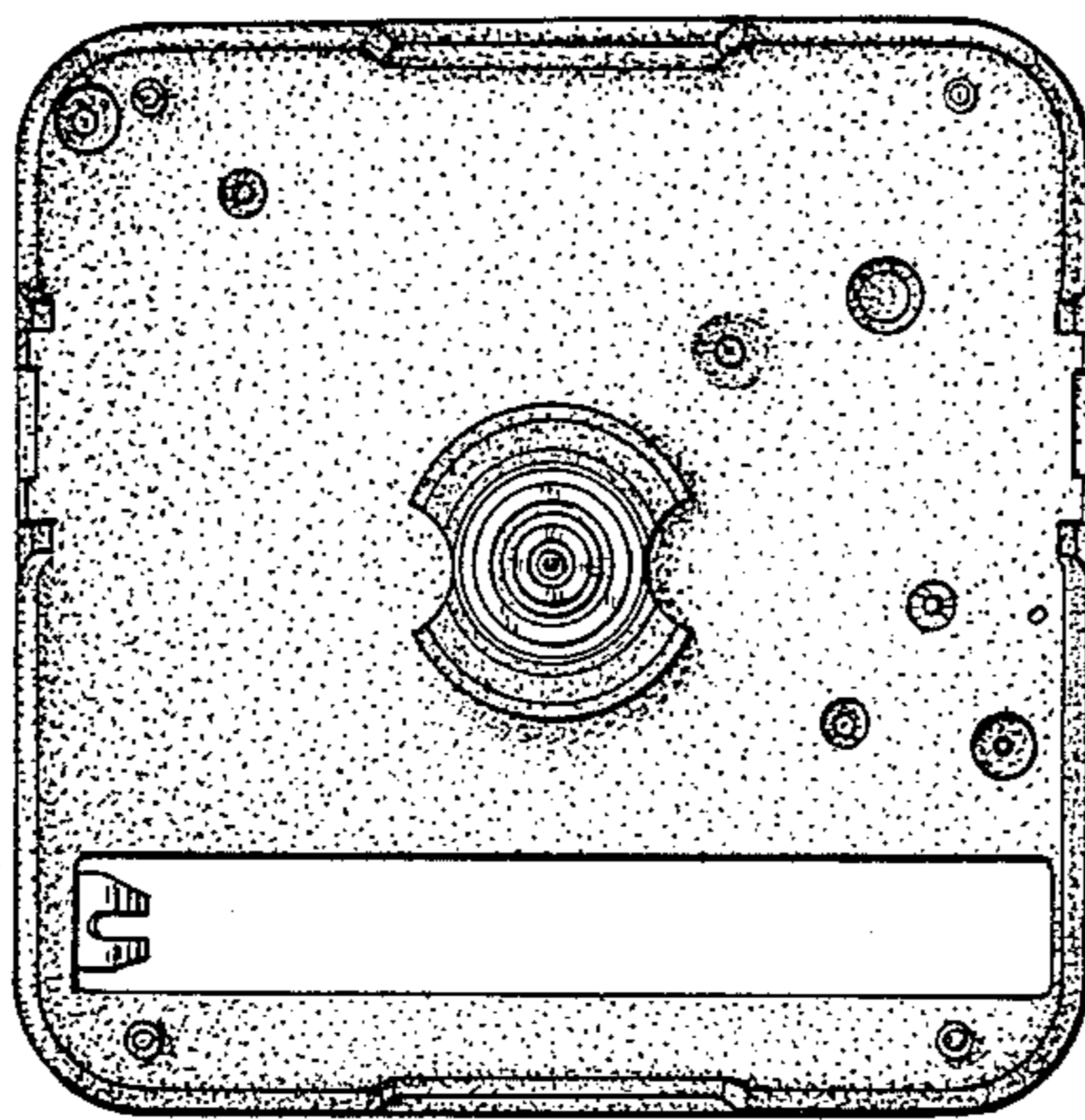


FIG. 1

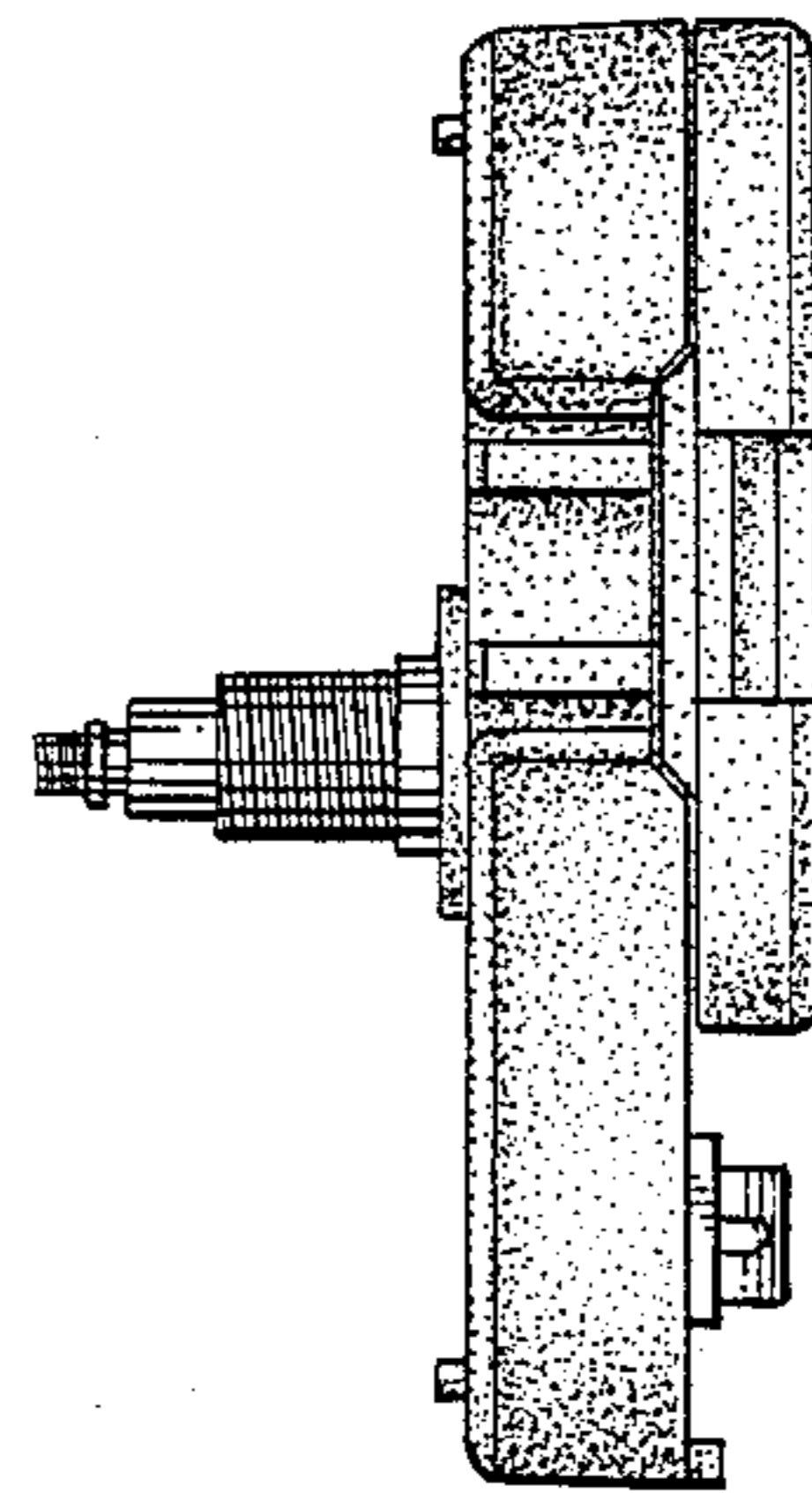


FIG. 5

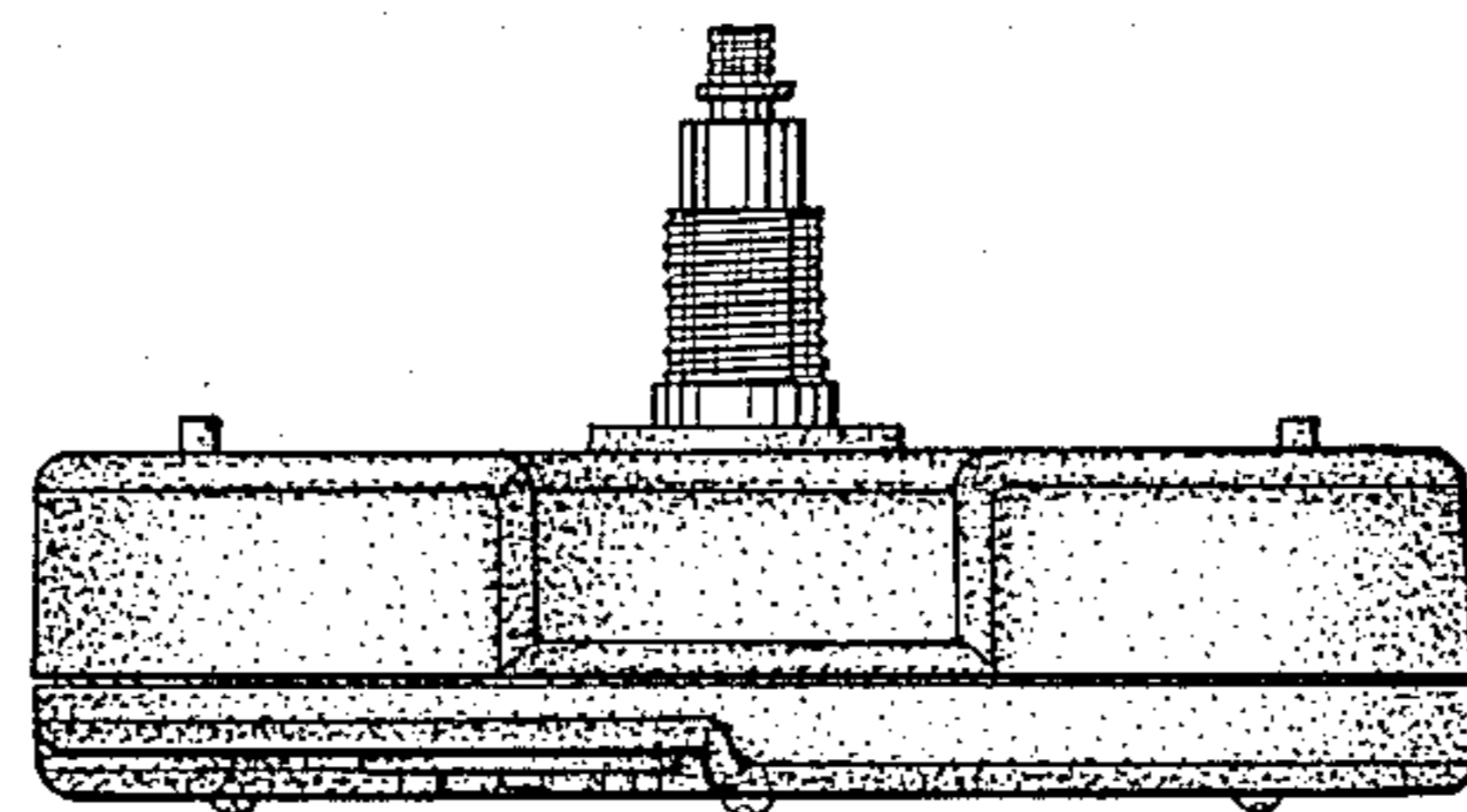


FIG. 6

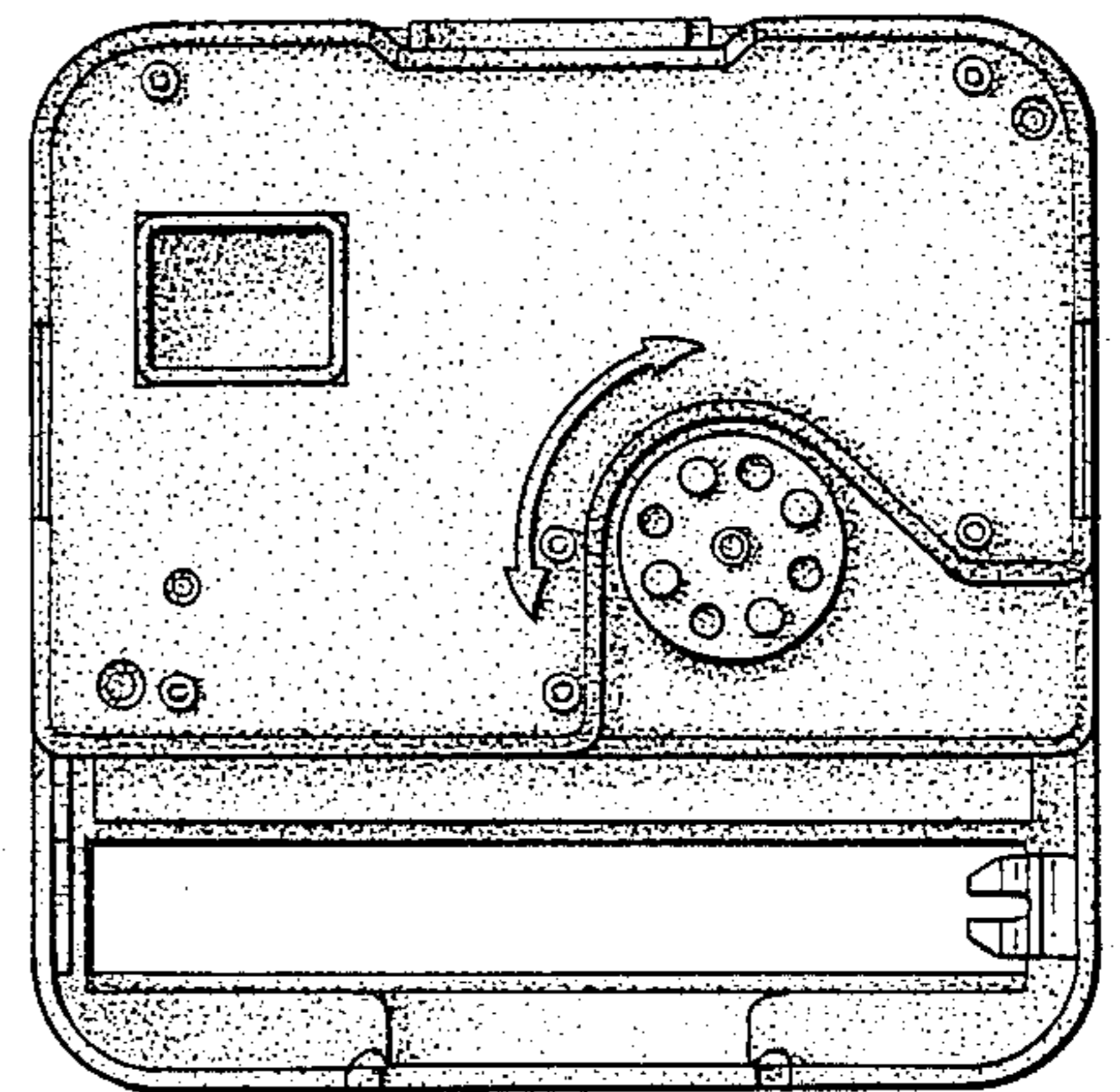


FIG. 2

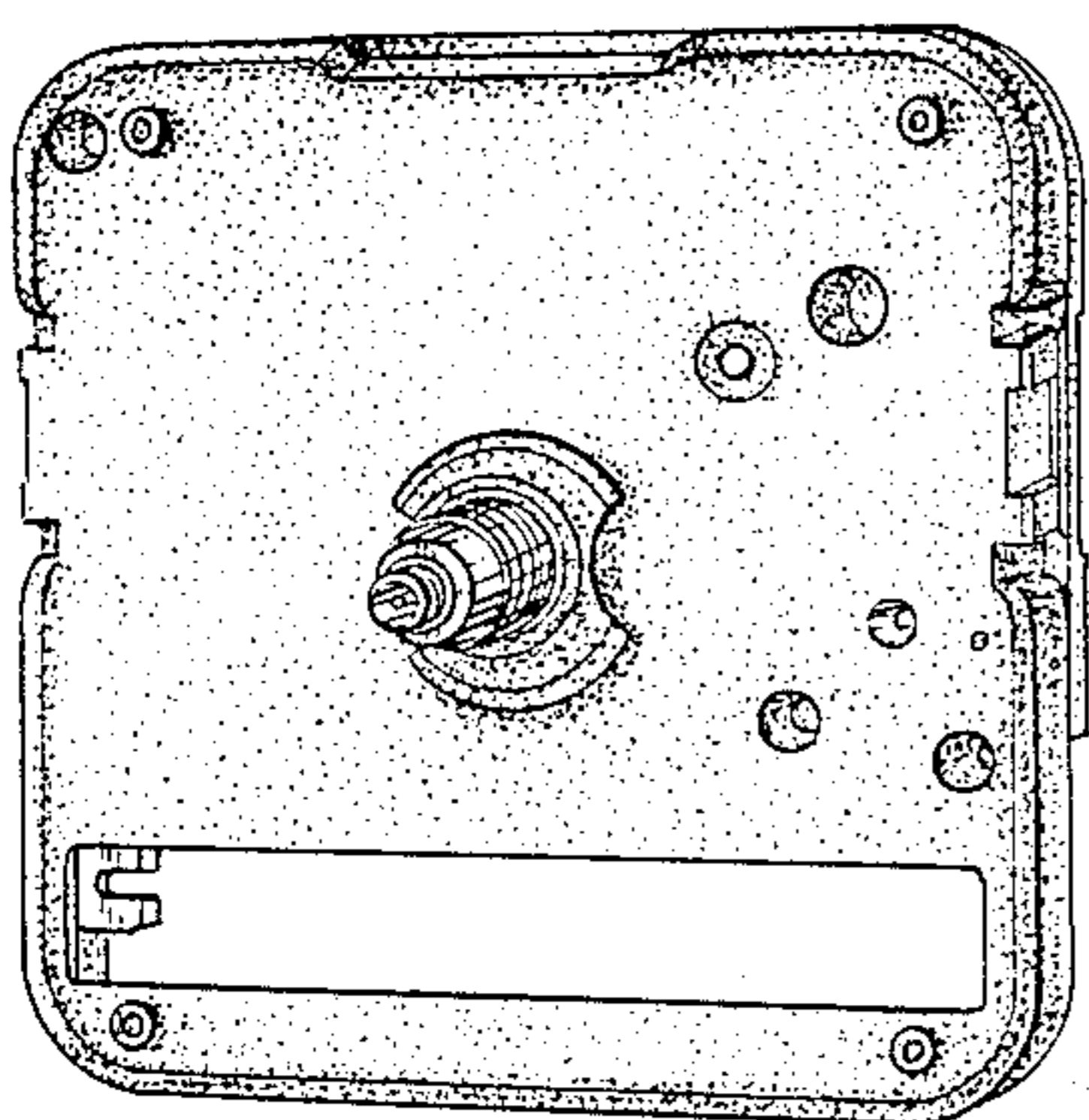


FIG. 7

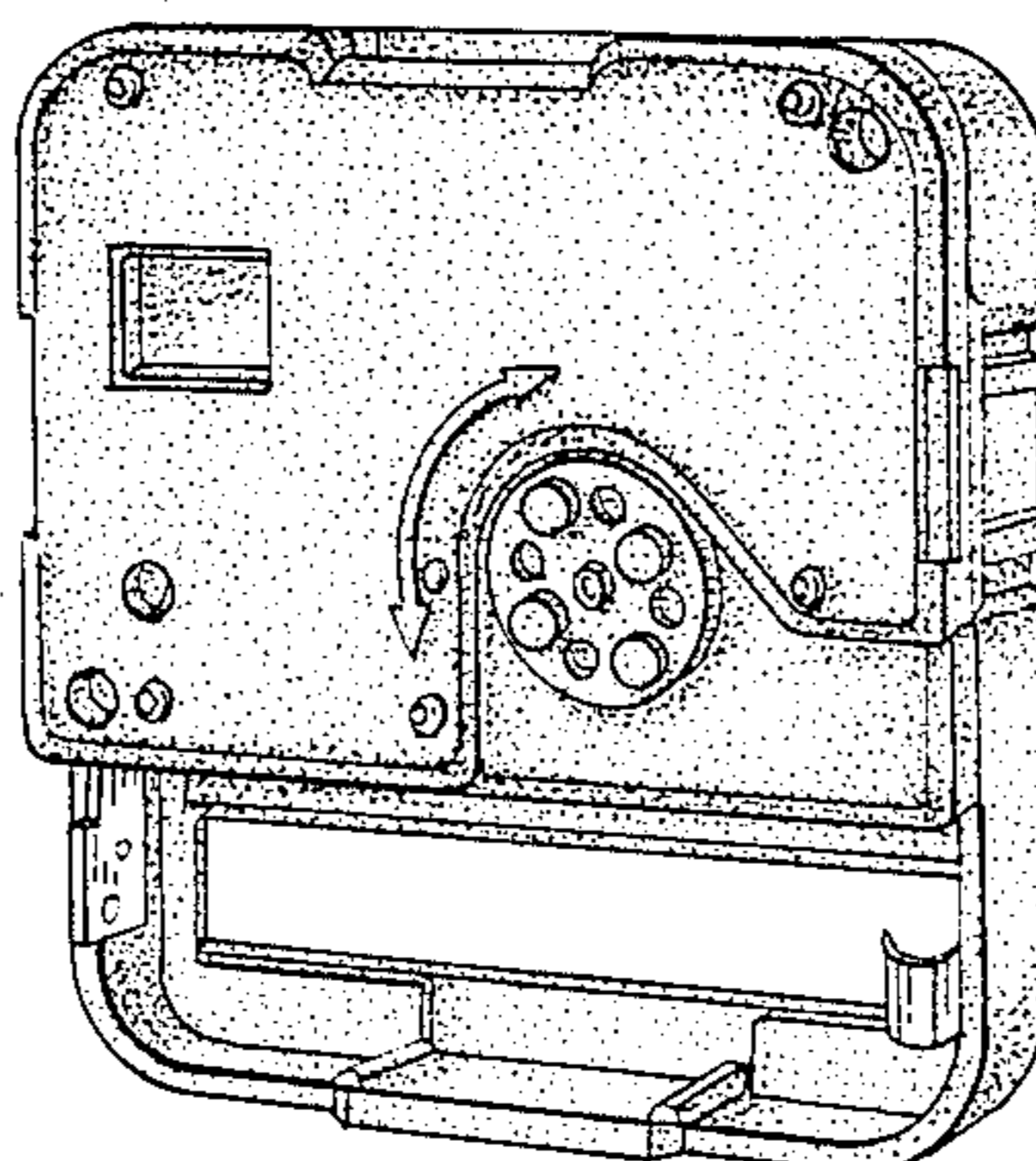


FIG. 8