

[54] CLOCK MOVEMENT

[75] Inventor: Katsuya Moritaka, Tokyo, Japan

[73] Assignee: Seikosha Co., Ltd., Tokyo, Japan

[\*\*] Term: 14 Years

[21] Appl. No.: 937,672

[22] Filed: Dec. 3, 1986

[30] Foreign Application Priority Data

Jul. 17, 1986 [JP] Japan ..... 28017/86

[52] U.S. Cl. .... D10/129

[58] Field of Search ..... D10/129; 368/220

[56] References Cited

U.S. PATENT DOCUMENTS

- 1,505,521 8/1974 Kresser ..... D10/129 X
- 4,351,040 9/1982 Aoki ..... 368/220 X
- 4,464,062 8/1984 Inage ..... 368/220

FOREIGN PATENT DOCUMENTS

- 0106892 7/1982 Japan ..... 368/220
- 0230085 11/1985 Japan ..... 368/220

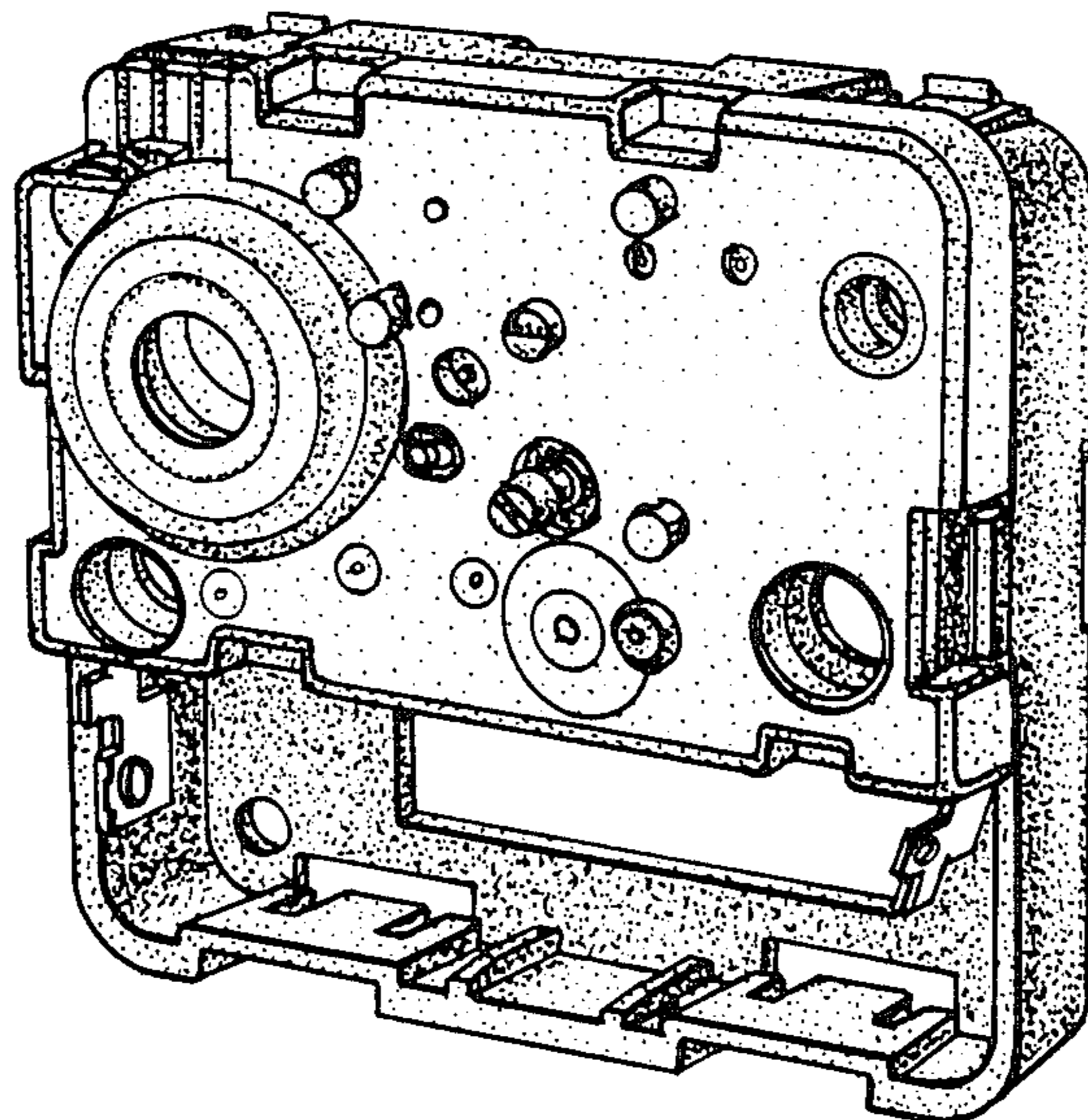
Primary Examiner—Nelson C. Holtje  
Attorney, Agent, or Firm—Bruce L. Adams; Van C. Wilks

[57] CLAIM

The ornamental design for a clock movement, as shown and described.

DESCRIPTION

FIG. 1 is a front elevational view of a clock movement showing my new design;  
 FIG. 2 is a rear elevational view thereof;  
 FIG. 3 is a top plan view thereof;  
 FIG. 4 is a left side elevational view thereof;  
 FIG. 5 is a right side elevational view thereof;  
 FIG. 6 is a bottom plan view thereof;  
 FIG. 7 is a front right perspective view thereof; and  
 FIG. 8 is a rear right perspective view thereof.



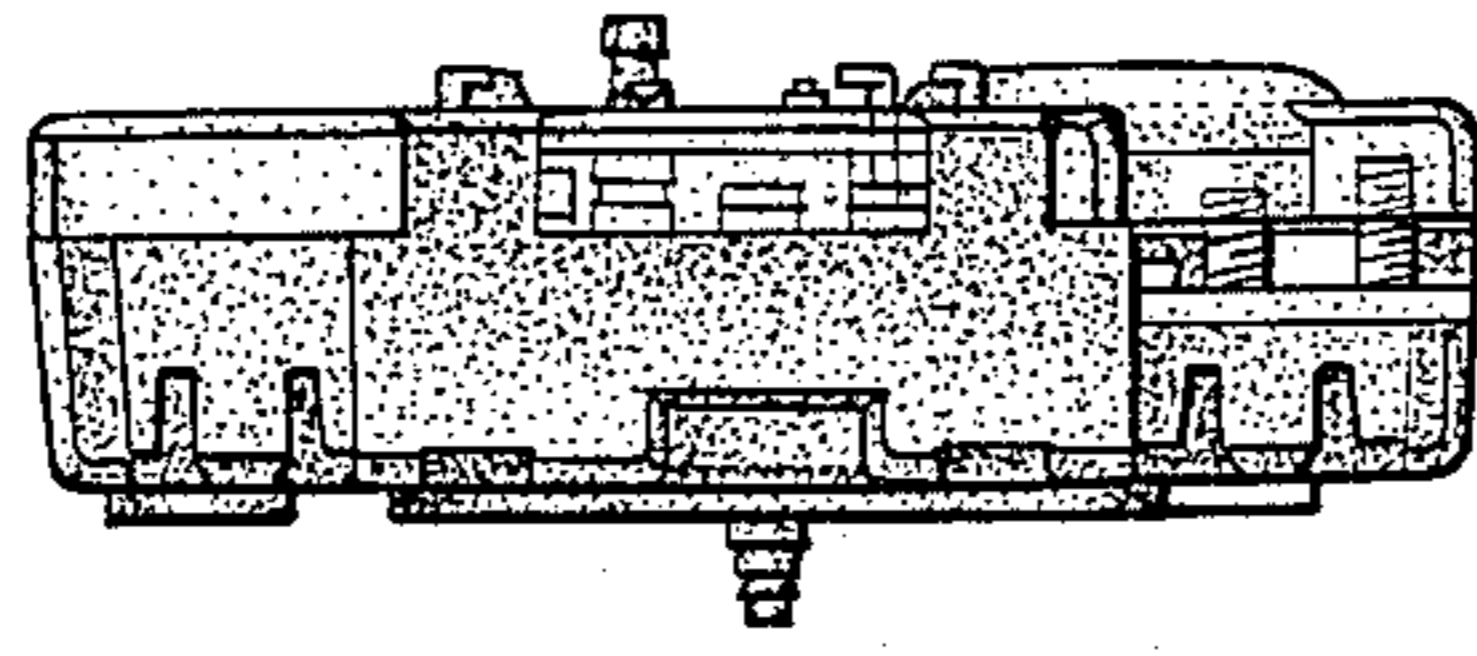


FIG. 3

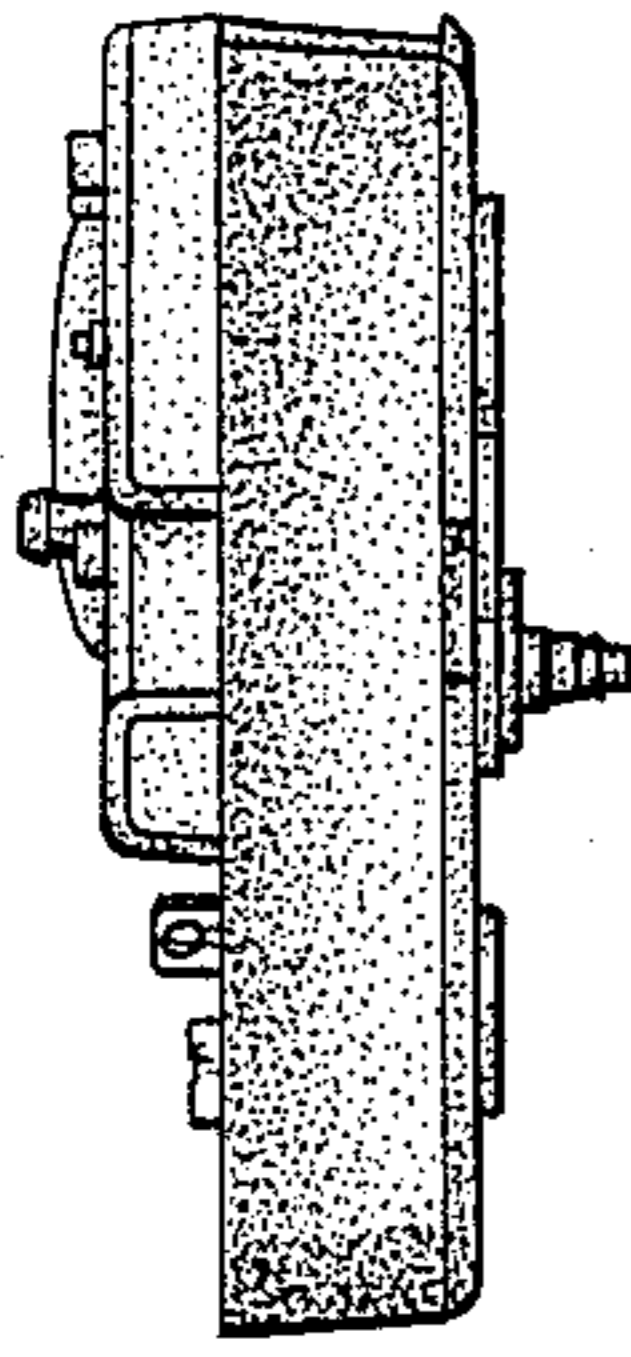


FIG. 4

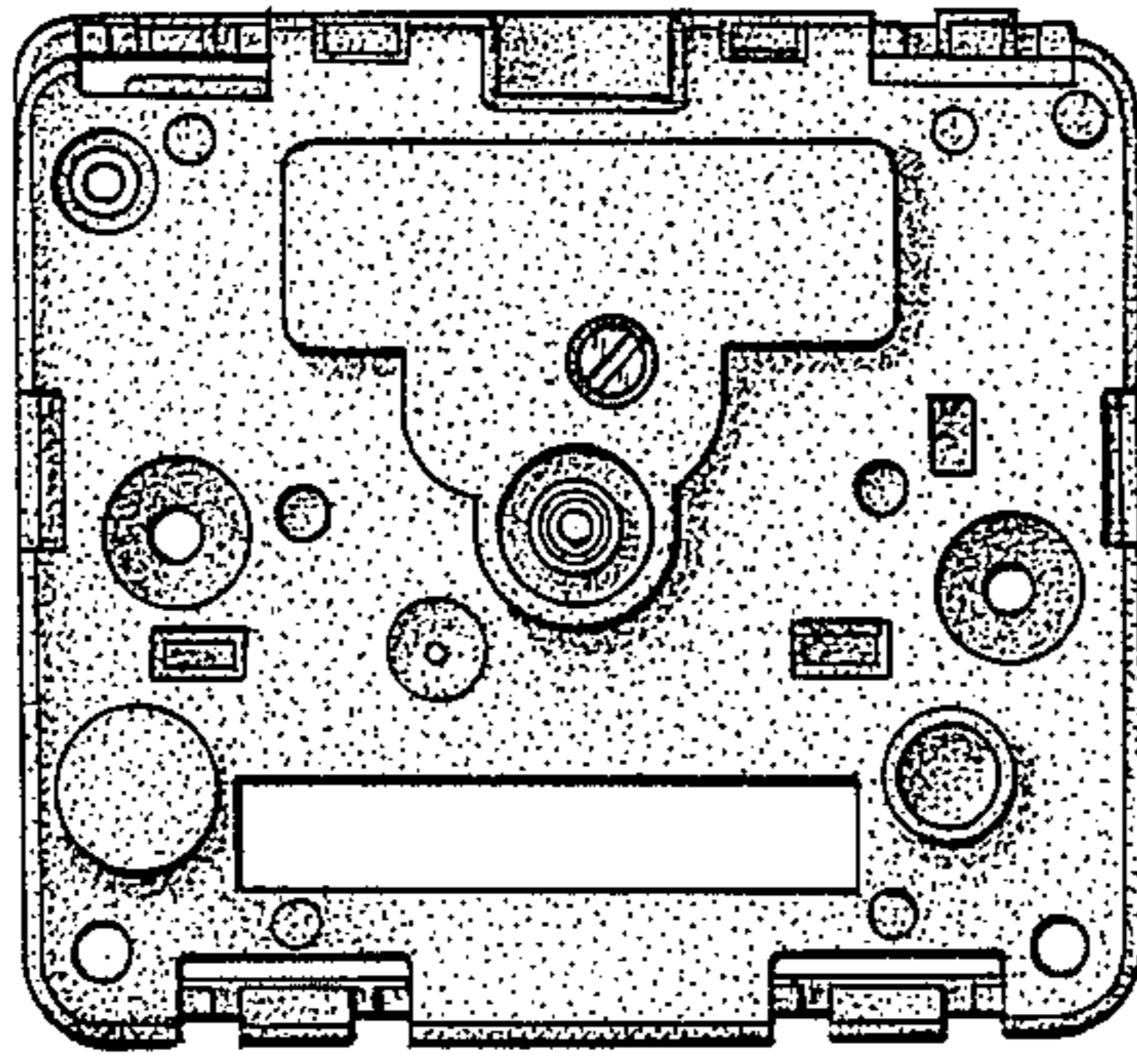


FIG. 1

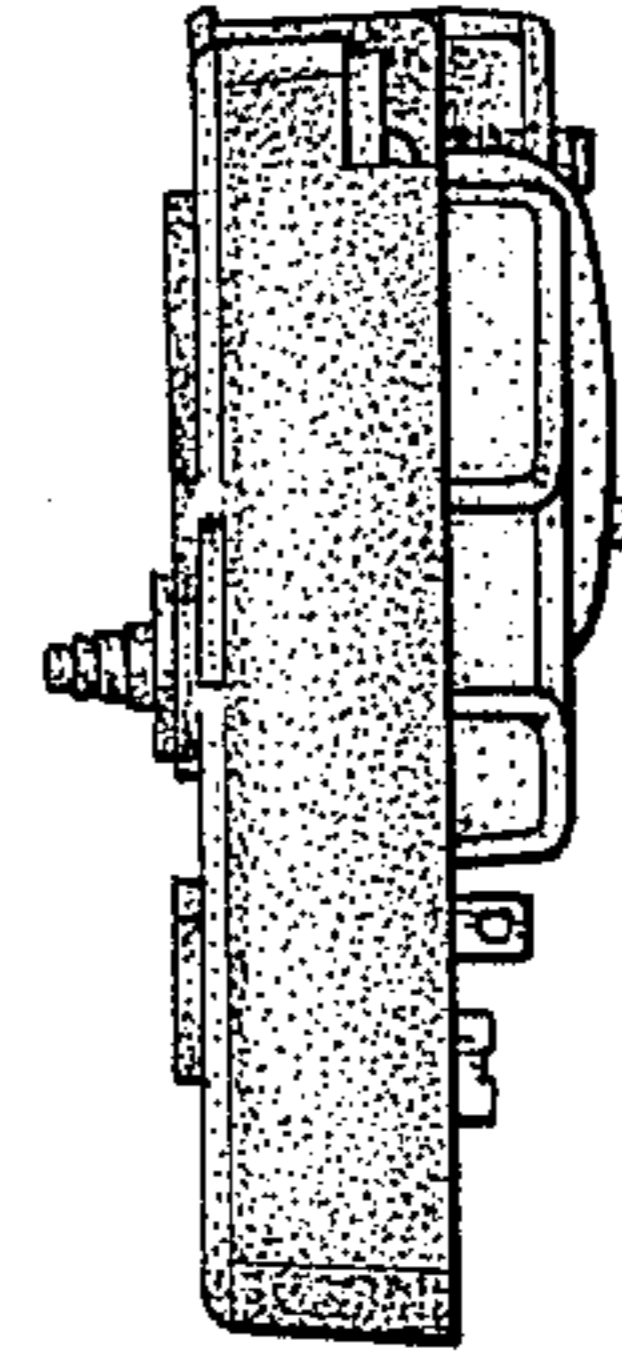


FIG. 5

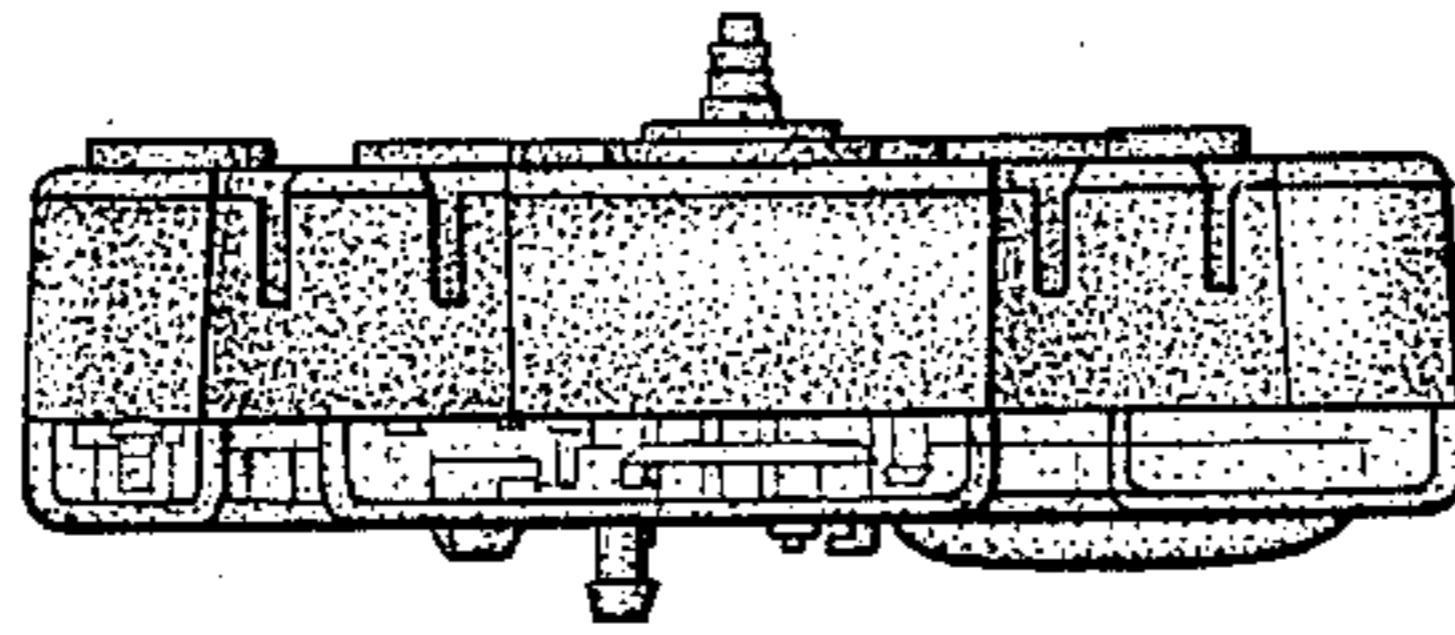


FIG. 6

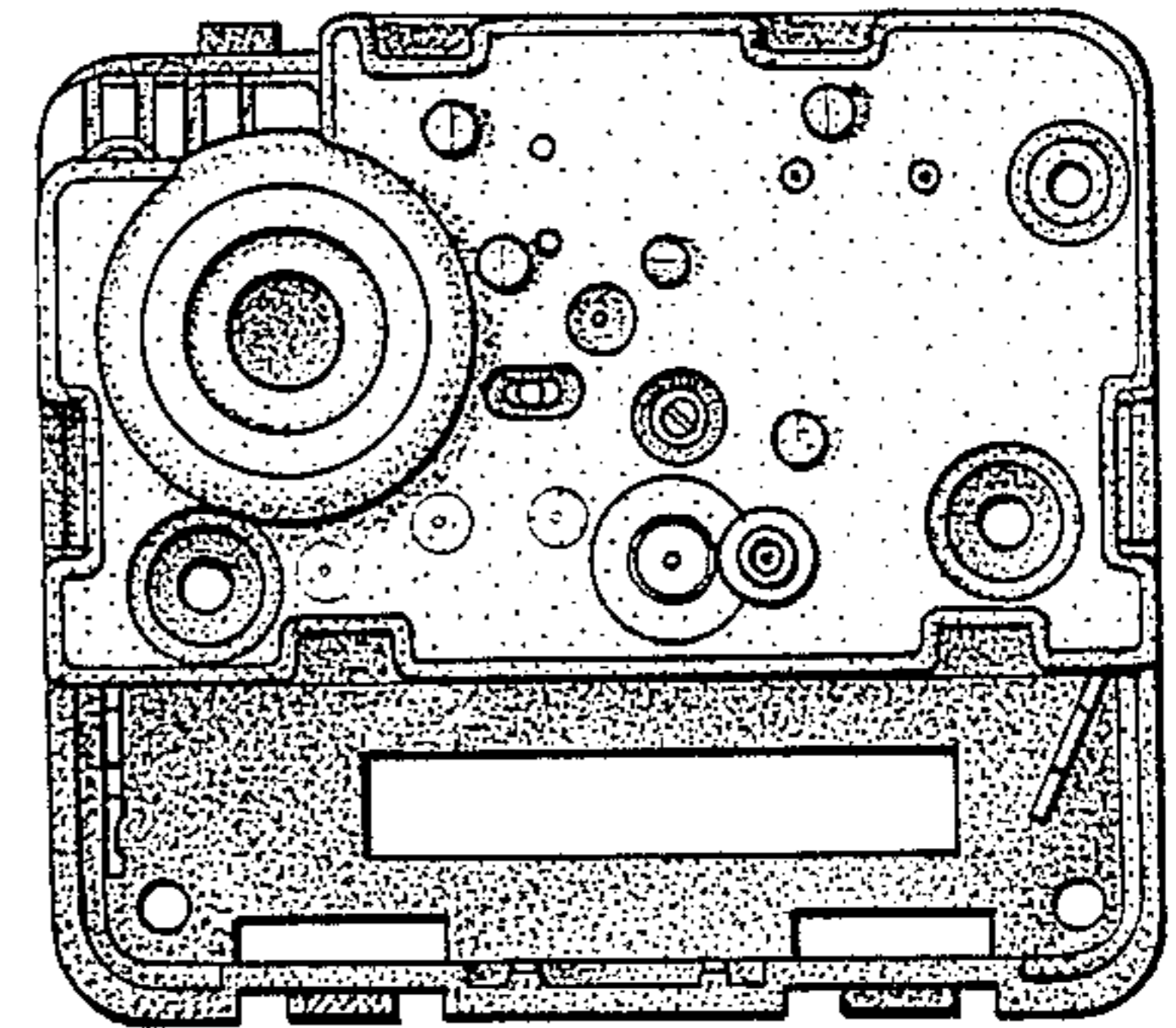


FIG. 2

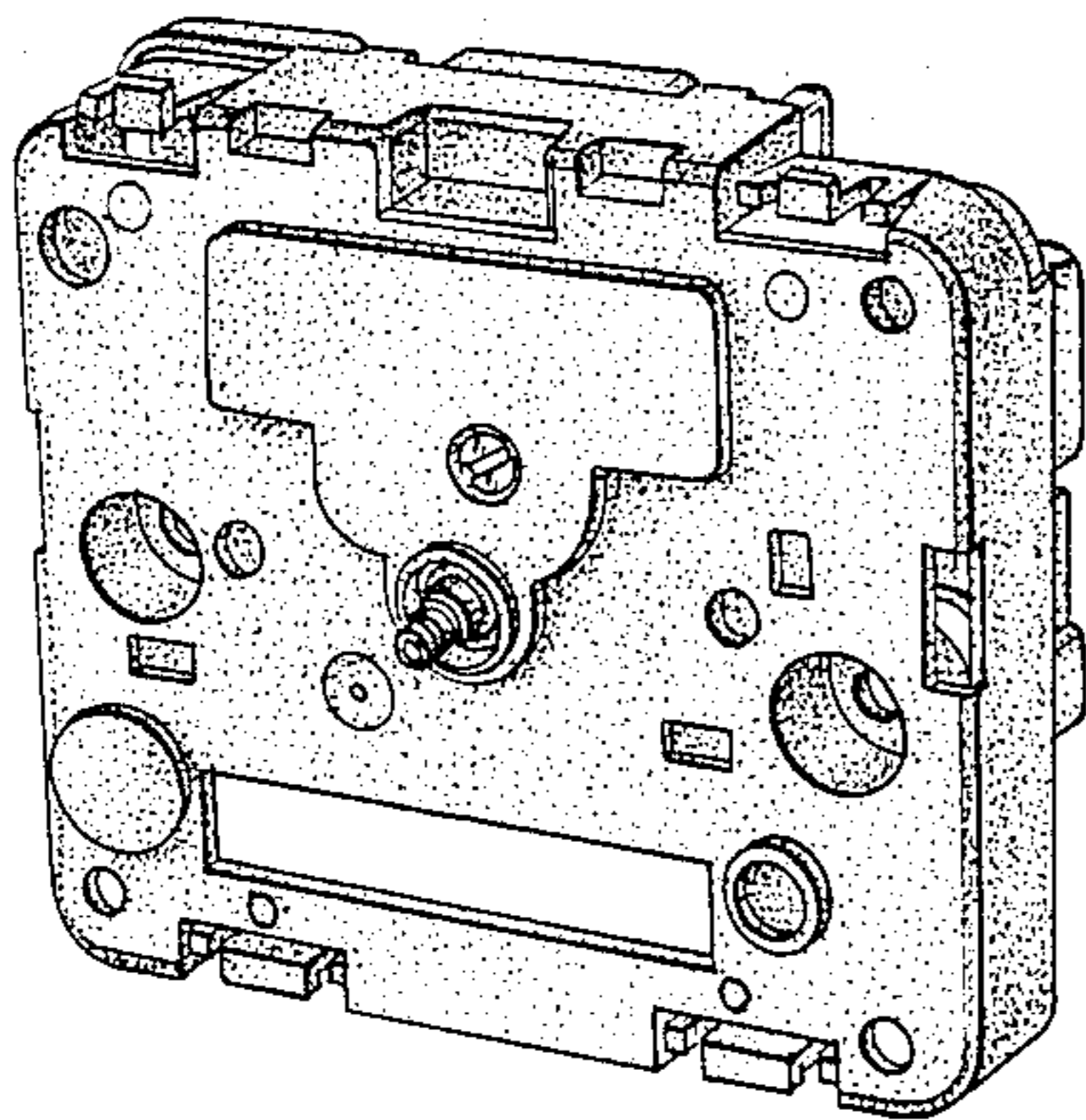


FIG. 7

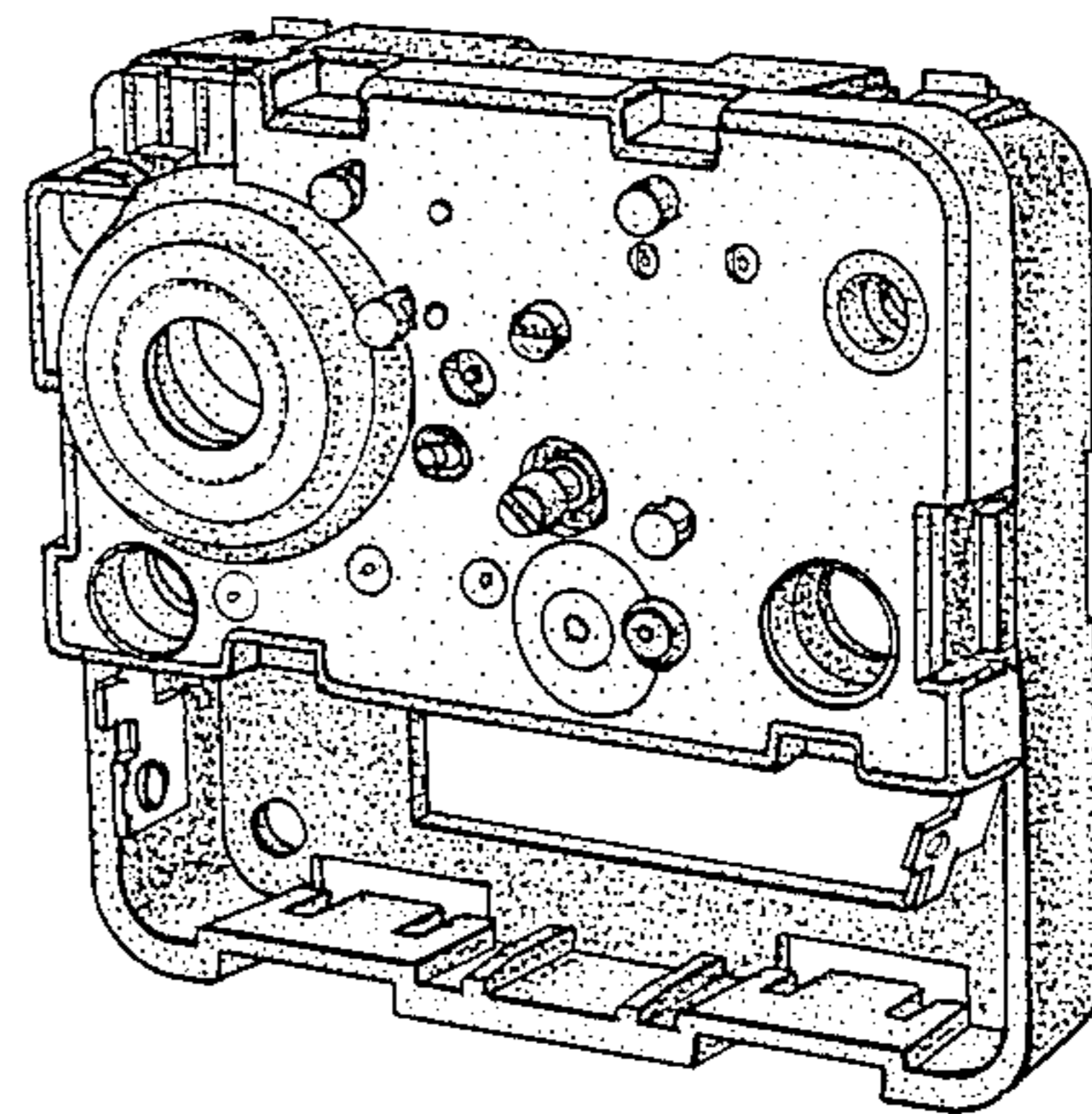


FIG. 8 A12