

[54] **SEAGULL GUARD**

[76] **Inventor: John F. Niebling, Sr., 162 Lynn Ave., Hampton Bays, N.Y. 11946**

[**] **Term: 14 Years**

[21] **Appl. No.: 938,128**

[22] **Filed: Dec. 4, 1986**

[52] **U.S. Cl. D10/109; D10/104; D22/119**

[58] **Field of Search D10/109; D22/119; D25/38; 256/10, 11, 12, 1; 119/97 R, 97 AR; 116/22 A, 22 R; 52/101; 40/479, 439, 440, 441, 412, 422**

[56] **References Cited**

U.S. PATENT DOCUMENTS

1,751,176	3/1930	Rystrom	40/479
3,292,319	6/1964	McCarthy	52/101
4,074,653	2/1978	Pamber	116/22

Primary Examiner—Wallace R. Burke

Assistant Examiner—M. Jackson

[57] **CLAIM**

The ornamental design for a seagull guard, as shown and described.

DESCRIPTION

FIG. 1 is a perspective view of a seagull guard showing my new design;

FIG. 2 is a bottom plan view thereof;

FIG. 3 is a top plan view thereof;

FIG. 4 is a left side elevation thereof;

FIG. 5 is a right side elevation thereof.

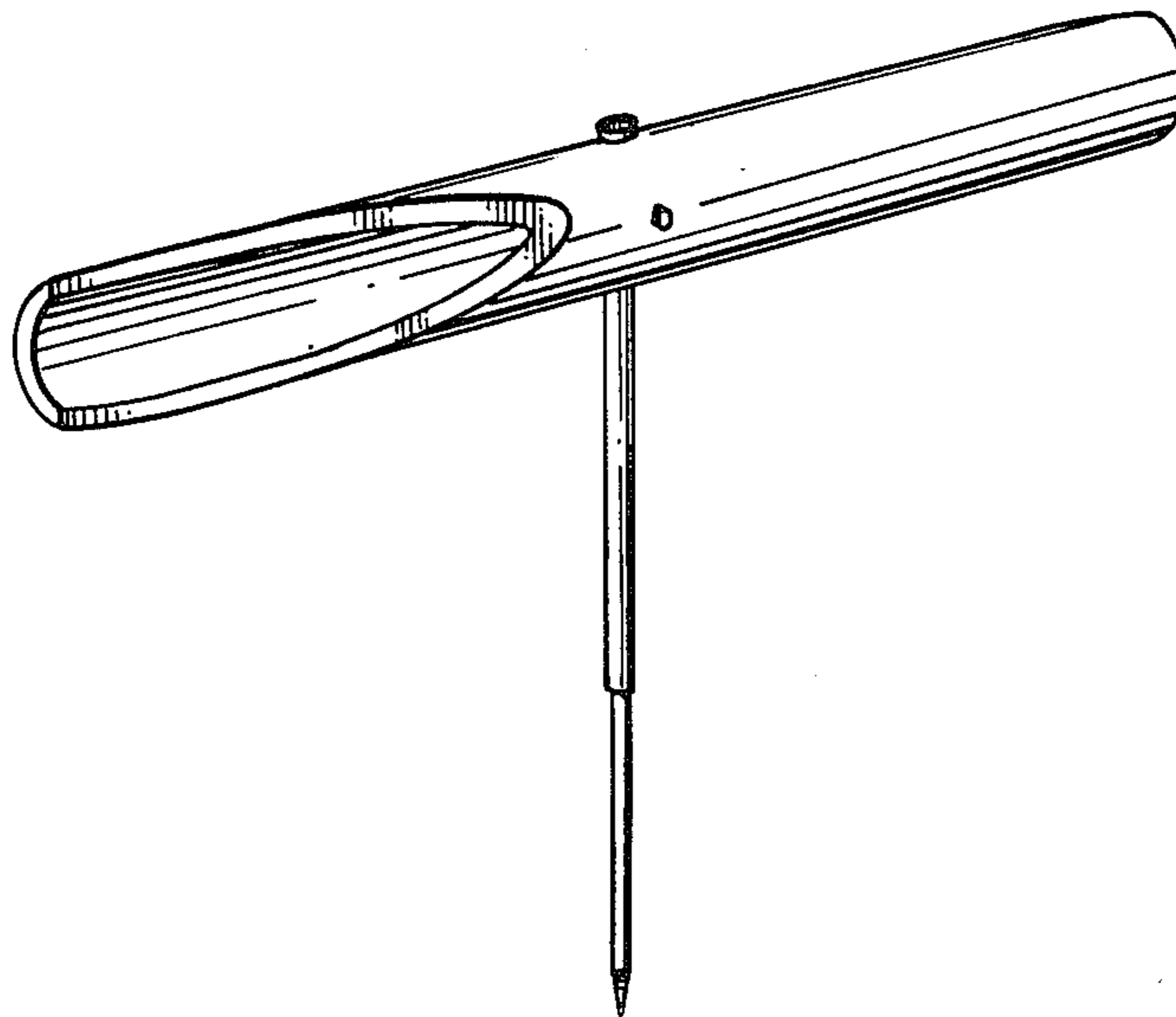


FIG. 1.

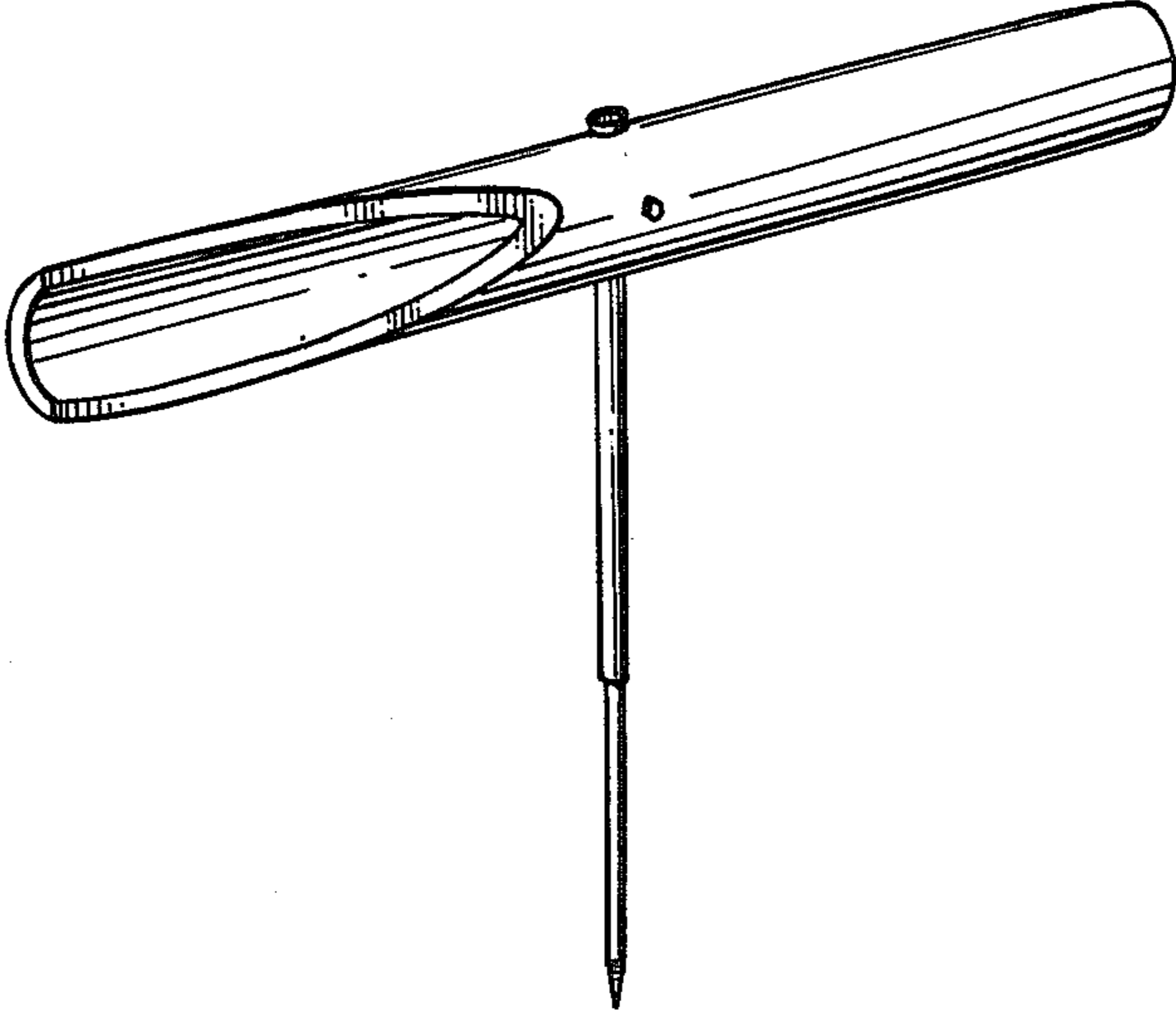


FIG. 2.

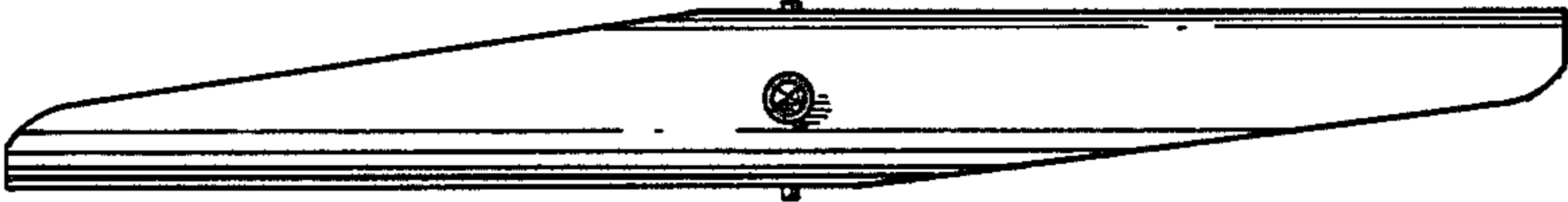


FIG. 3.

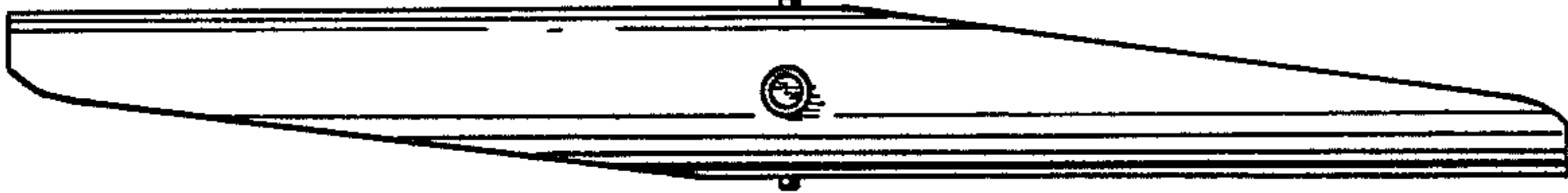


FIG. 4.

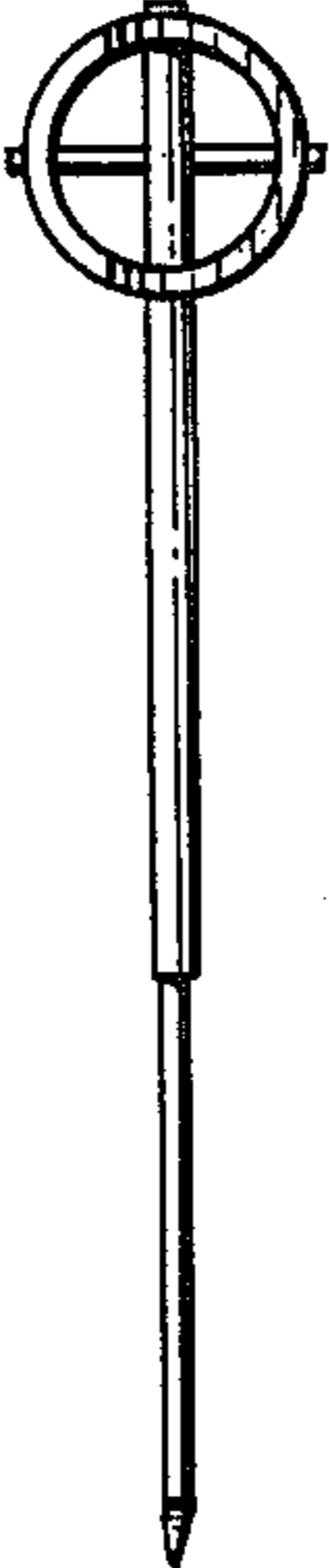


FIG. 5.

