

[54] THERMOMETER

[75] Inventor: Marc R. Iacovelli, Miami, Fla.

[73] Assignee: Rally Accessories, Inc., Miami, Fla.

[\*\*] Term: 14 Years

[21] Appl. No.: 860,779

[22] Filed: May 7, 1986

[52] U.S. Cl. .... D10/57; D10/18; D10/102

[58] Field of Search ..... D10/57, 60, 18, 102, D10/103; 374/141-142, 187, 205

[56] References Cited

U.S. PATENT DOCUMENTS

- D. 94,112 12/1934 Brown ..... D10/57
- D. 126,193 4/1941 Brown ..... D10/57 X
- D. 131,209 1/1942 Kaufman ..... D10/18

- D. 223,404 4/1972 Schwartz ..... D10/102 X
- D. 235,093 5/1975 Kroner ..... D10/18
- D. 274,042 5/1984 Bulgari ..... D10/18
- D. 288,413 2/1987 Tanaka ..... D10/57
- 1,804,048 5/1931 Busch ..... D10/18 X

Primary Examiner—Nelson C. Holtje

[57] CLAIM

The ornamental design for a thermometer, as shown.

DESCRIPTION

FIG. 1 is a front and top-right perspective view of a thermometer showing my new design in a flip up position;

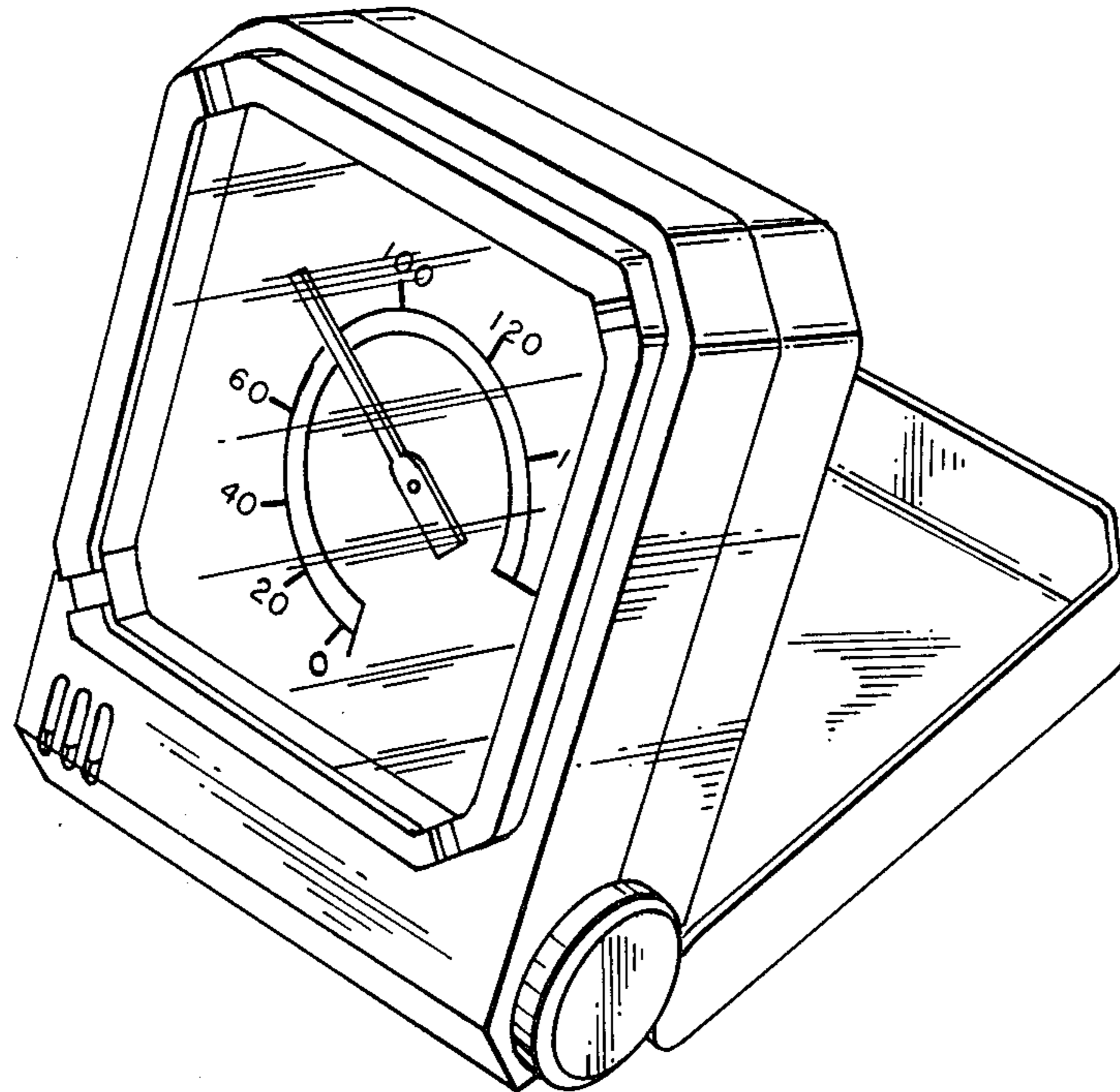
FIG. 2 is a front elevational view thereof in a retracted position;

FIG. 3 is a right side elevational view of FIG. 2;

FIG. 4 is a rear elevational view of FIG. 2;

FIG. 5 is a top plan view of FIG. 2;

FIG. 6 is a bottom plan view of FIG. 2.



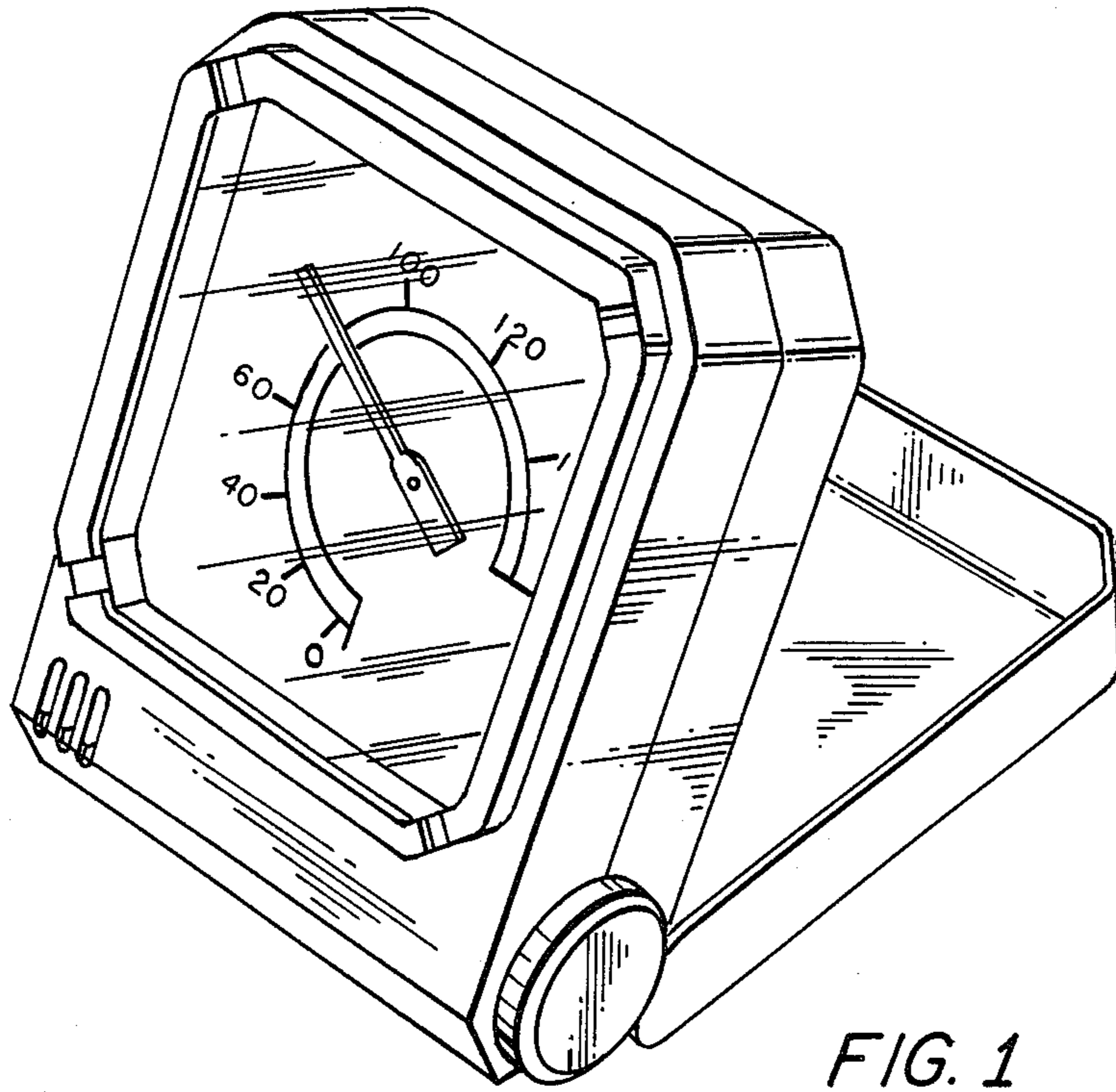


FIG. 1

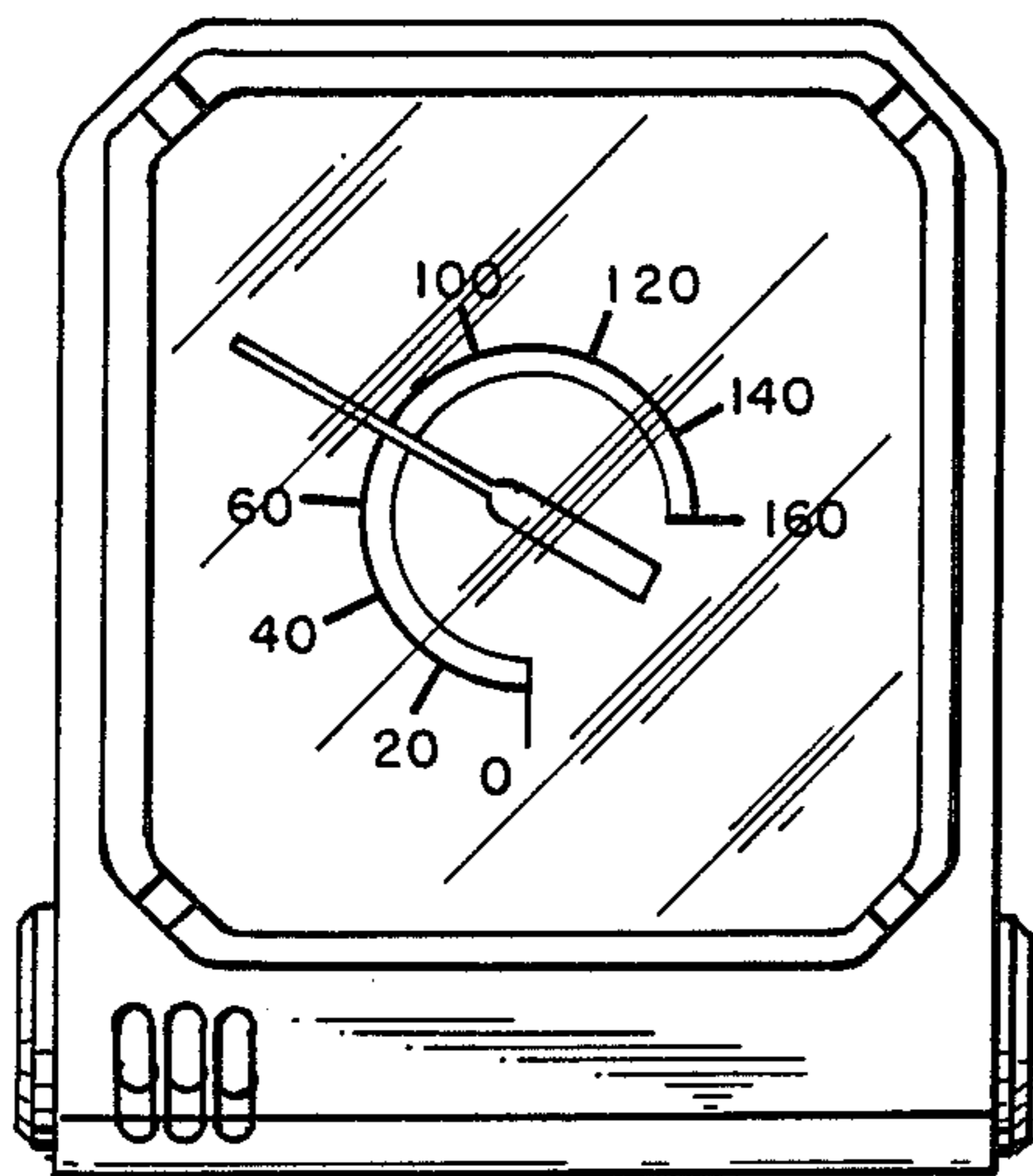


FIG. 2

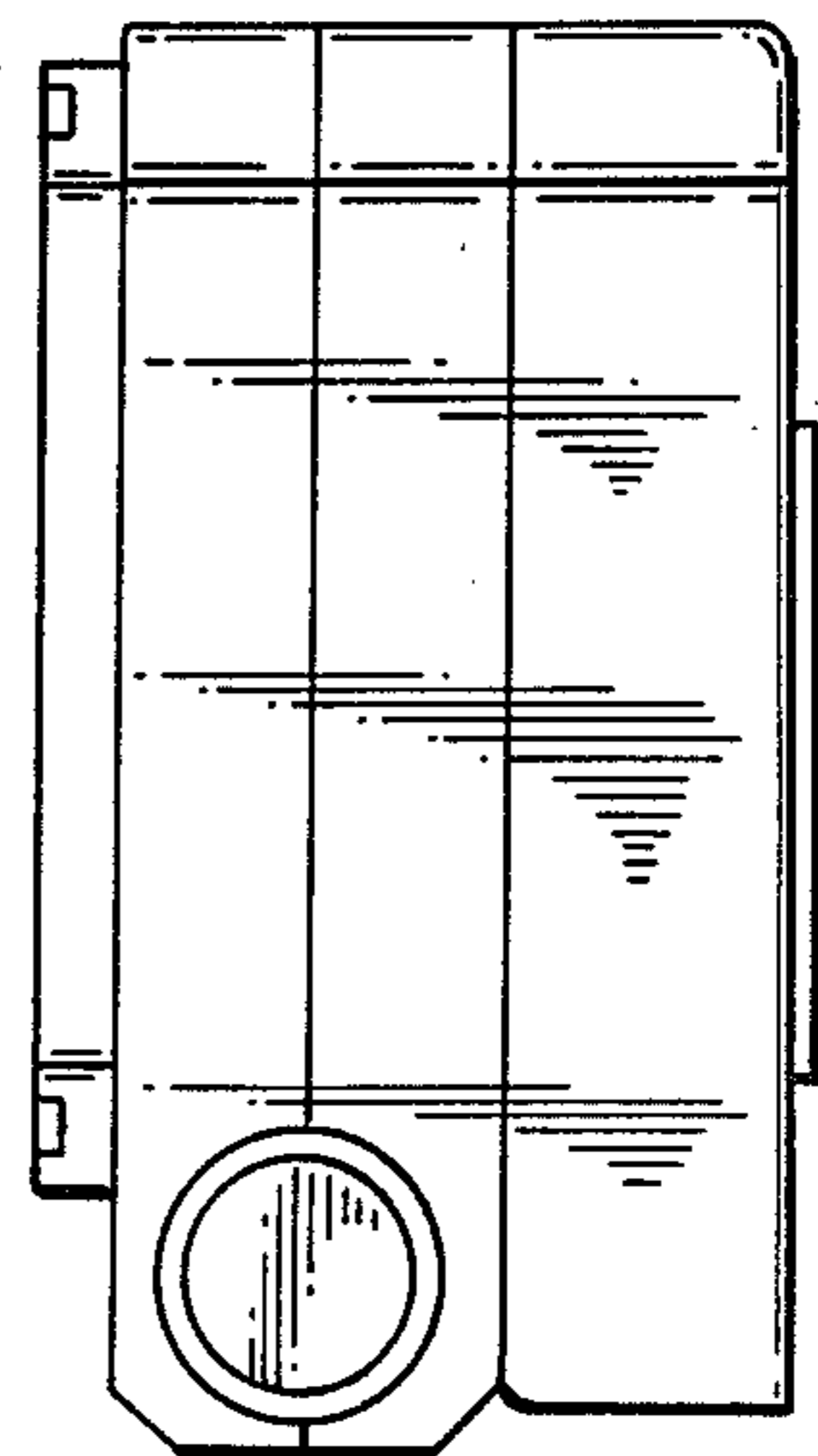


FIG. 3

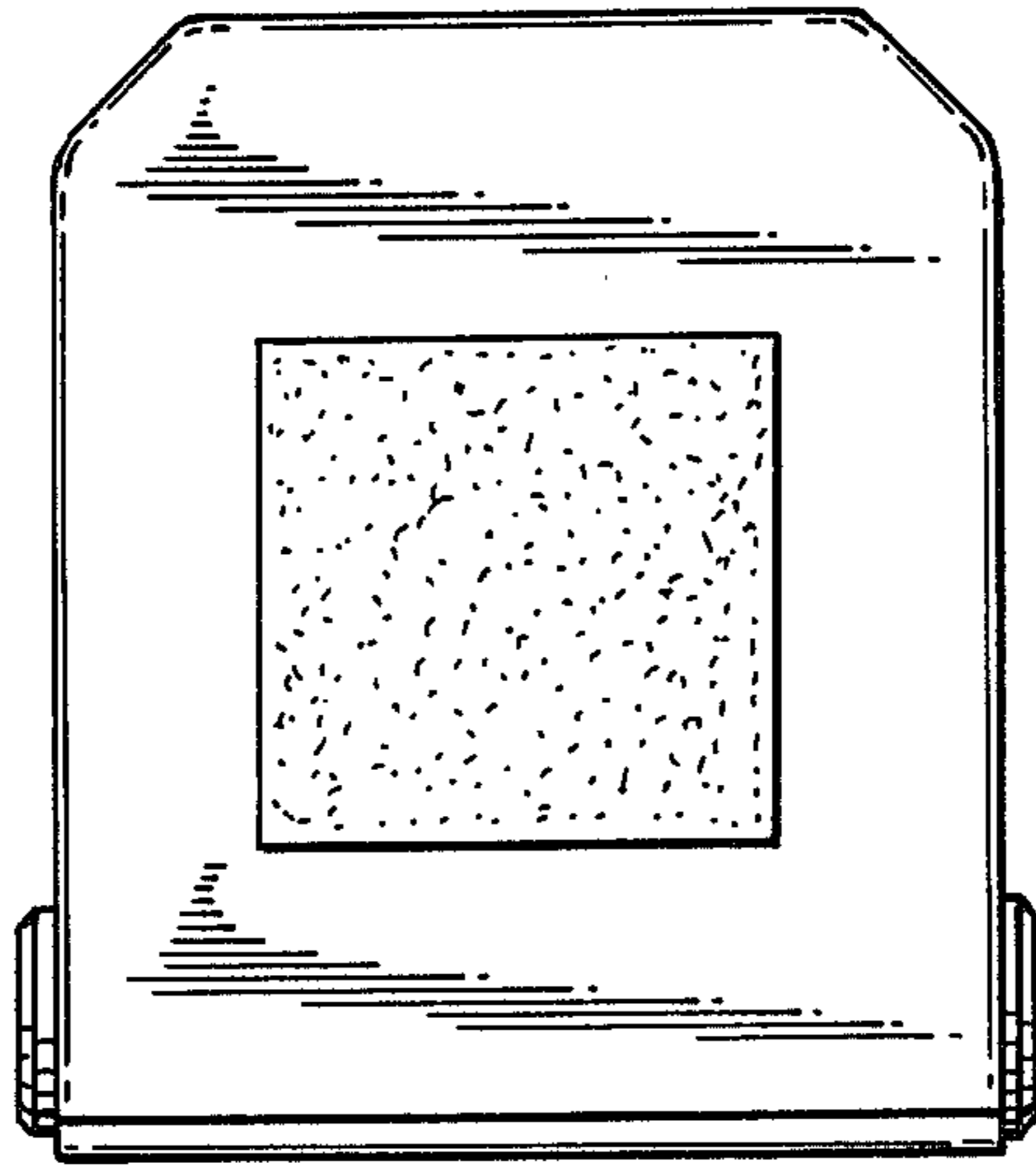


FIG. 4

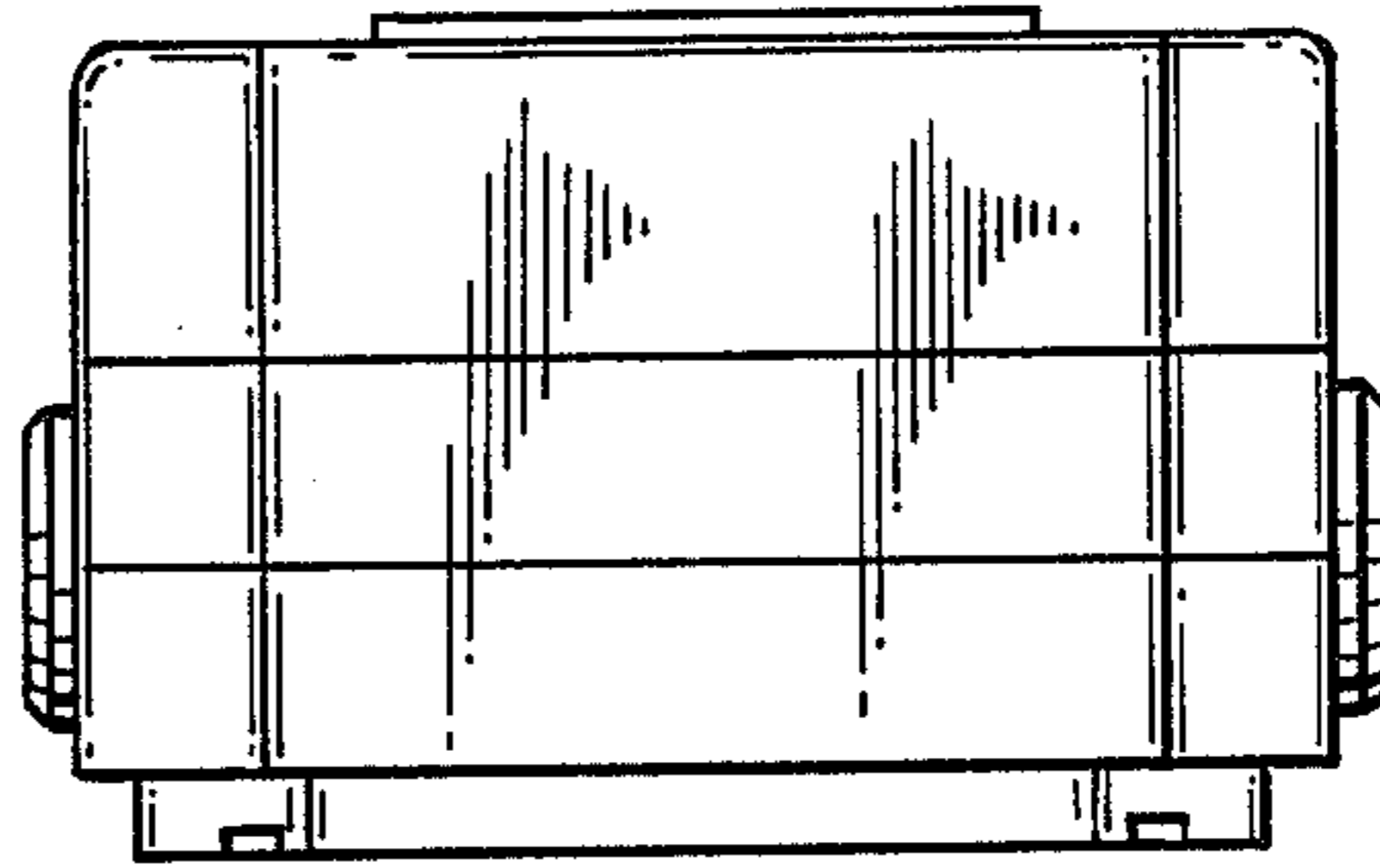


FIG. 5

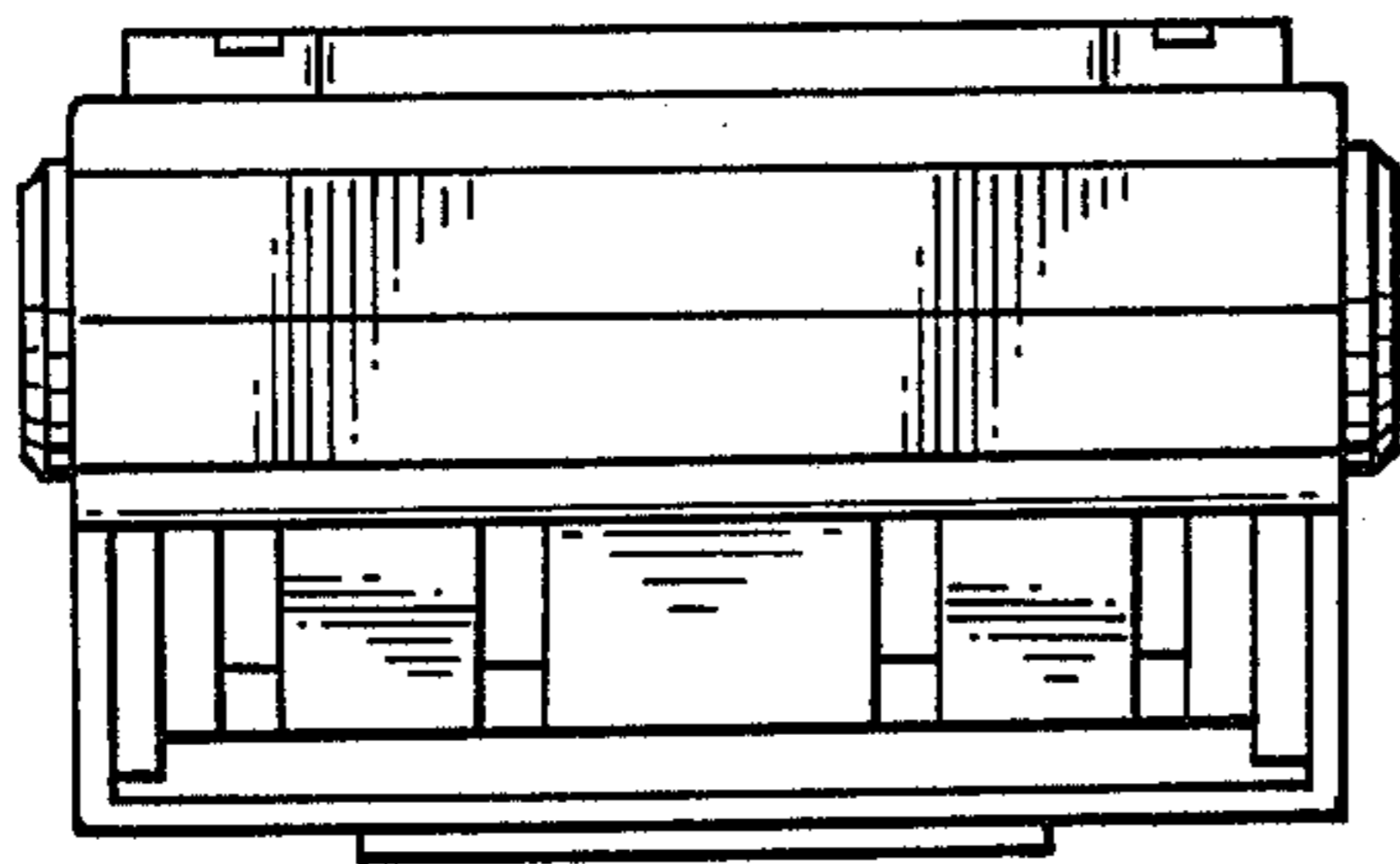


FIG. 6