

[54] **DISPLAY TRAY FOR FOOD PRODUCTS**
[75] **Inventor: Millard A. Long, Jr., West Point, Miss.**
[73] **Assignee: Bryan Foods, Inc., West Point, Miss.**
[**] **Term: 14 Years**
[21] **Appl. No.: 857,794**
[22] **Filed: Apr. 25, 1986**
[52] **U.S. Cl. D9/456**
[58] **Field of Search D9/456, 457; 206/557, 206/564, 565, 523; 211/13**

2,918,379 12/1959 Lurie 206/557
3,462,020 8/1969 Hall 211/13
4,011,944 3/1977 Cooley et al. 206/523

OTHER PUBLICATIONS

Restaurants and Institutions; Sep. 4, 1985; p. 49; lower right; Ore Ida Logo.

Primary Examiner—B. J. Bullock
Assistant Examiner—Dominic Simone

[57] **CLAIM**

The ornamental design for a display tray for food products, as shown.

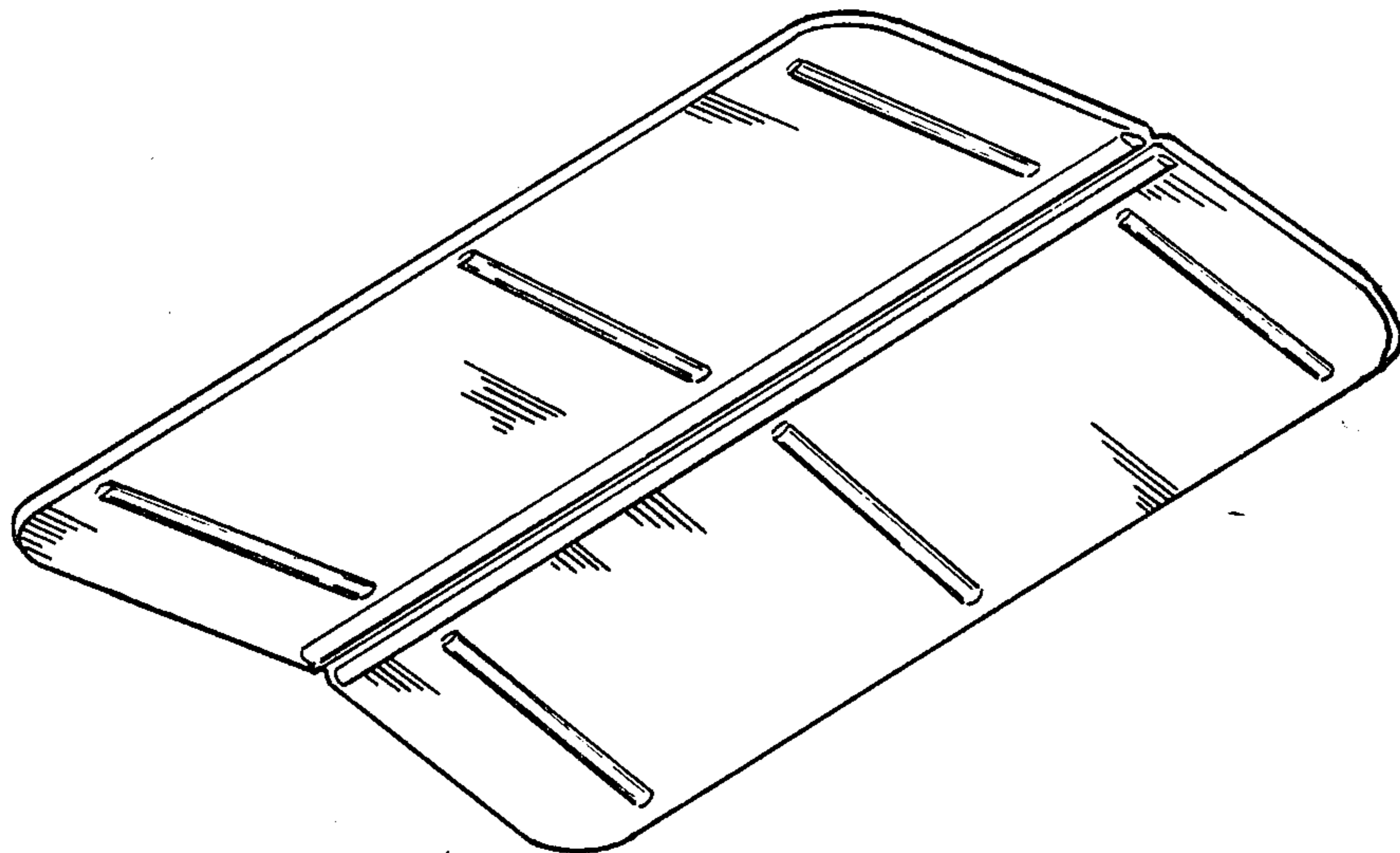
[56] **References Cited**

U.S. PATENT DOCUMENTS

D. 28,713 5/1898 Hills D9/457
D. 220,314 3/1971 Dunton, Jr. D9/456
D. 221,521 8/1971 Crabtree 206/557
1,486,416 3/1924 Cather 206/557
2,704,974 3/1955 Setman D9/456

DESCRIPTION

FIG. 1 is a bottom plan view of a display tray for food products showing my new design;
FIG. 2 is a bottom perspective view thereof;
FIG. 3 is an end elevational view thereof, the opposite end being a mirror image;
FIG. 4 is a top plan view thereof.



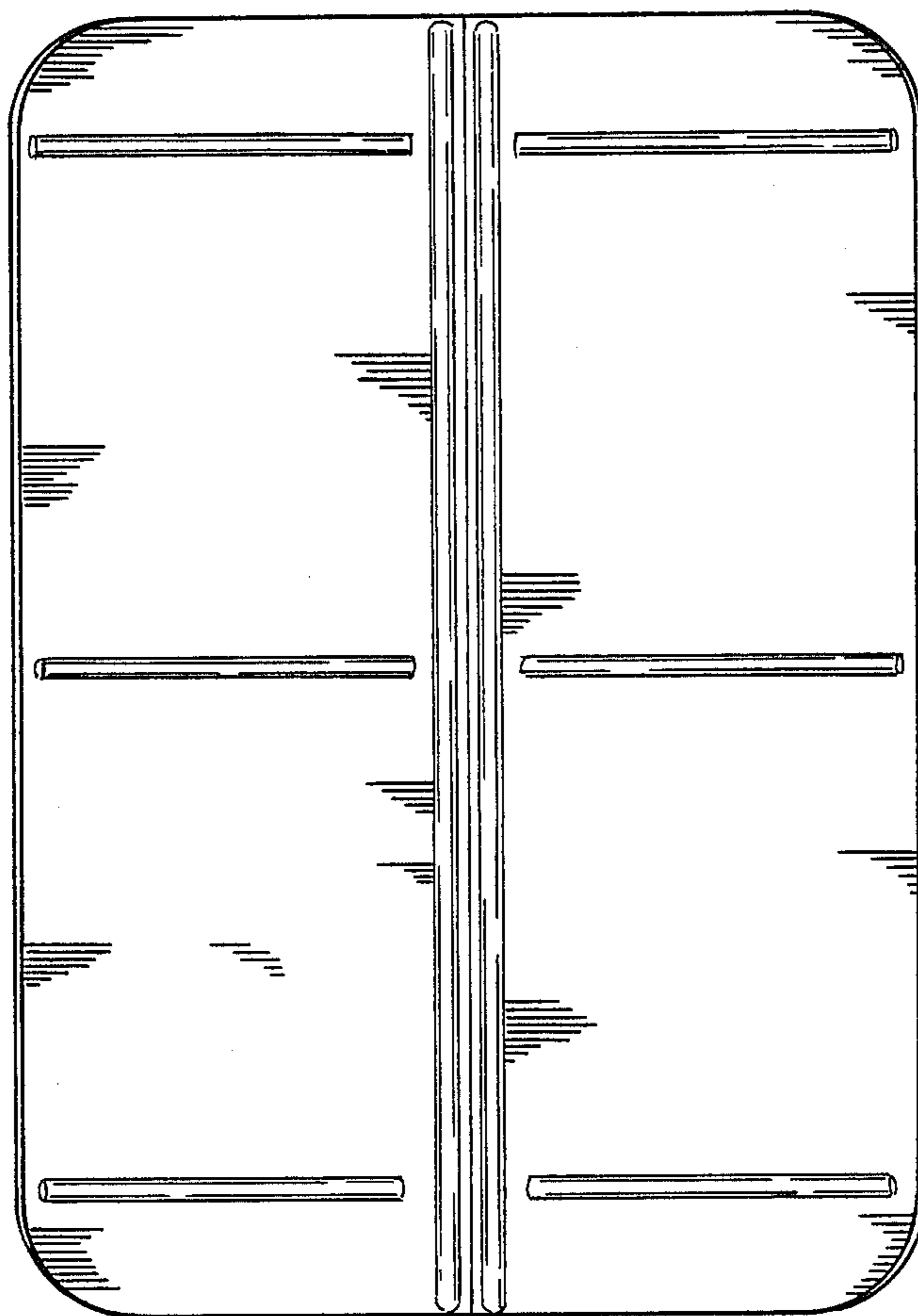


FIG. 1

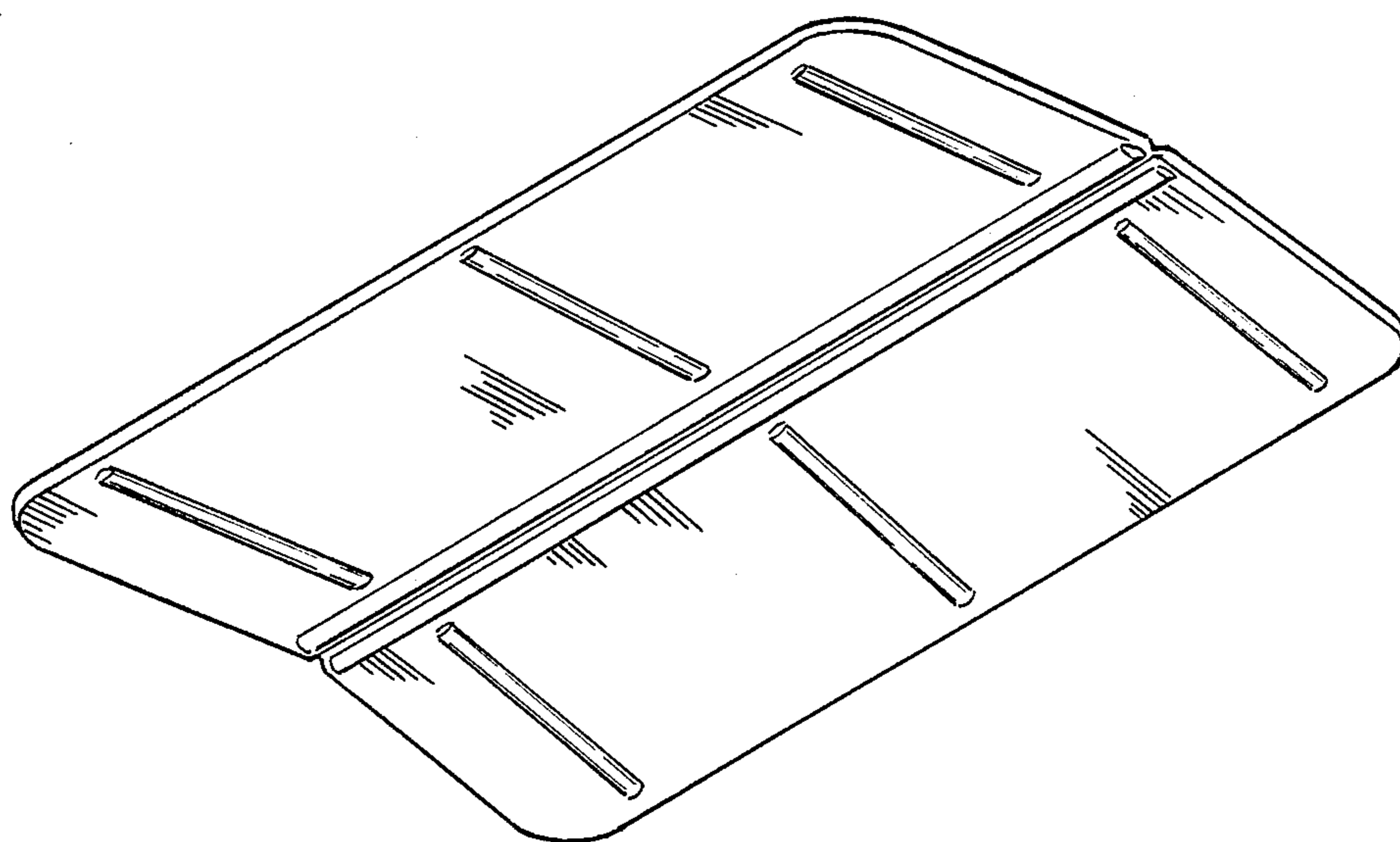


FIG. 2

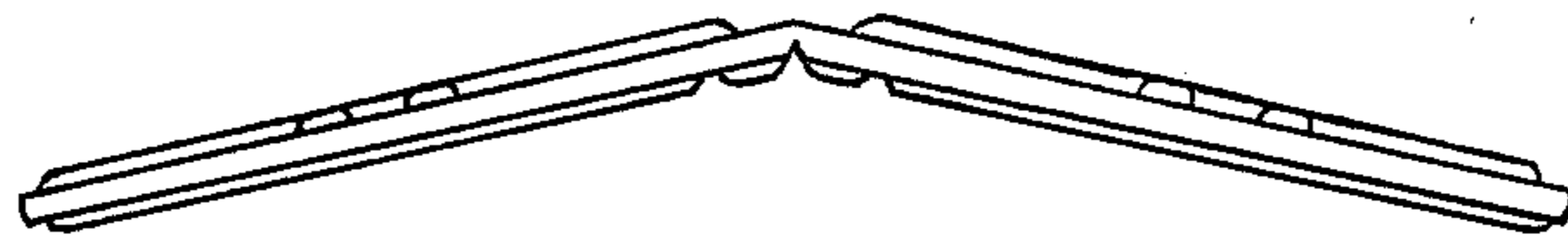


FIG. 3

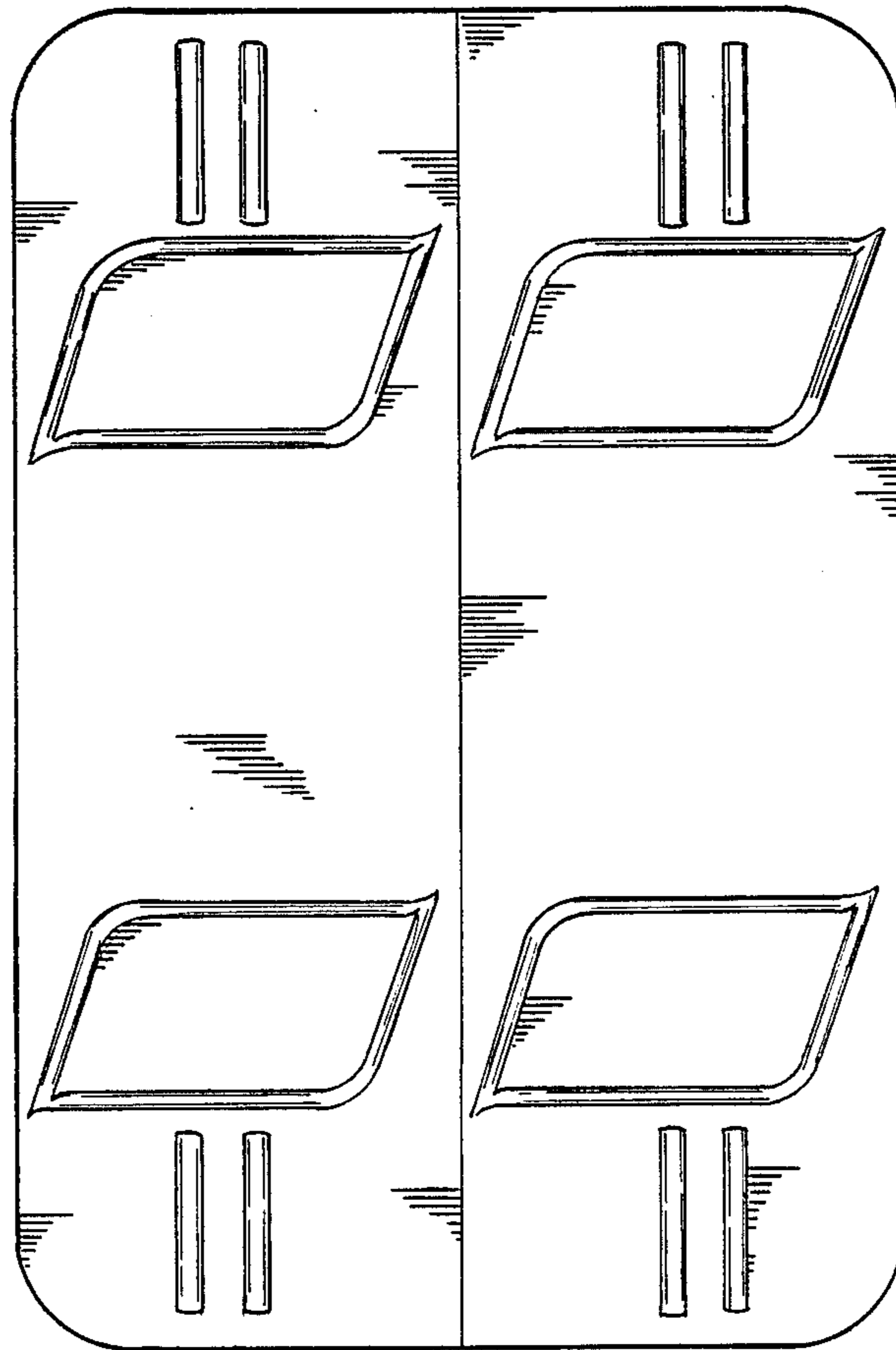


FIG. 4