

[54] CLOSURE CLIP FOR BAG OF COMESTIBLES OR THE LIKE

[75] Inventors: Ronald J. Hoffman, Germantown, Tenn.; Francis R. Groth, St. Clair Shores, Mich.; Steven W. Neff, Clinton, Iowa

[73] Assignee: Chip Clip Corporation, Dearborn, Mich.

[**] Term: 14 Years

[21] Appl. No.: 828,514

[22] Filed: Feb. 12, 1986

[52] U.S. Cl. D9/434; D19/65; D32/44; D8/395

[58] Field of Search D19/65; D8/395; D32/64, D32/61, 44, 45, 46, 49, 42; 24/10, 10 R, 455, 11 C, 11 CC, 35, 303; D9/435, 434

[56] References Cited

U.S. PATENT DOCUMENTS

D. 122,685	9/1940	Jones	D32/49
D. 168,831	2/1953	Derlein	D32/42
D. 251,345	3/1979	Bigelow et al.	D8/395
D. 256,473	8/1980	Wagner	D32/49
D. 292,677	11/1987	Jordi	D19/65
2,082,522	8/1936	Scott et al.	D32/64
3,911,531	10/1975	Buturuga	D19/65

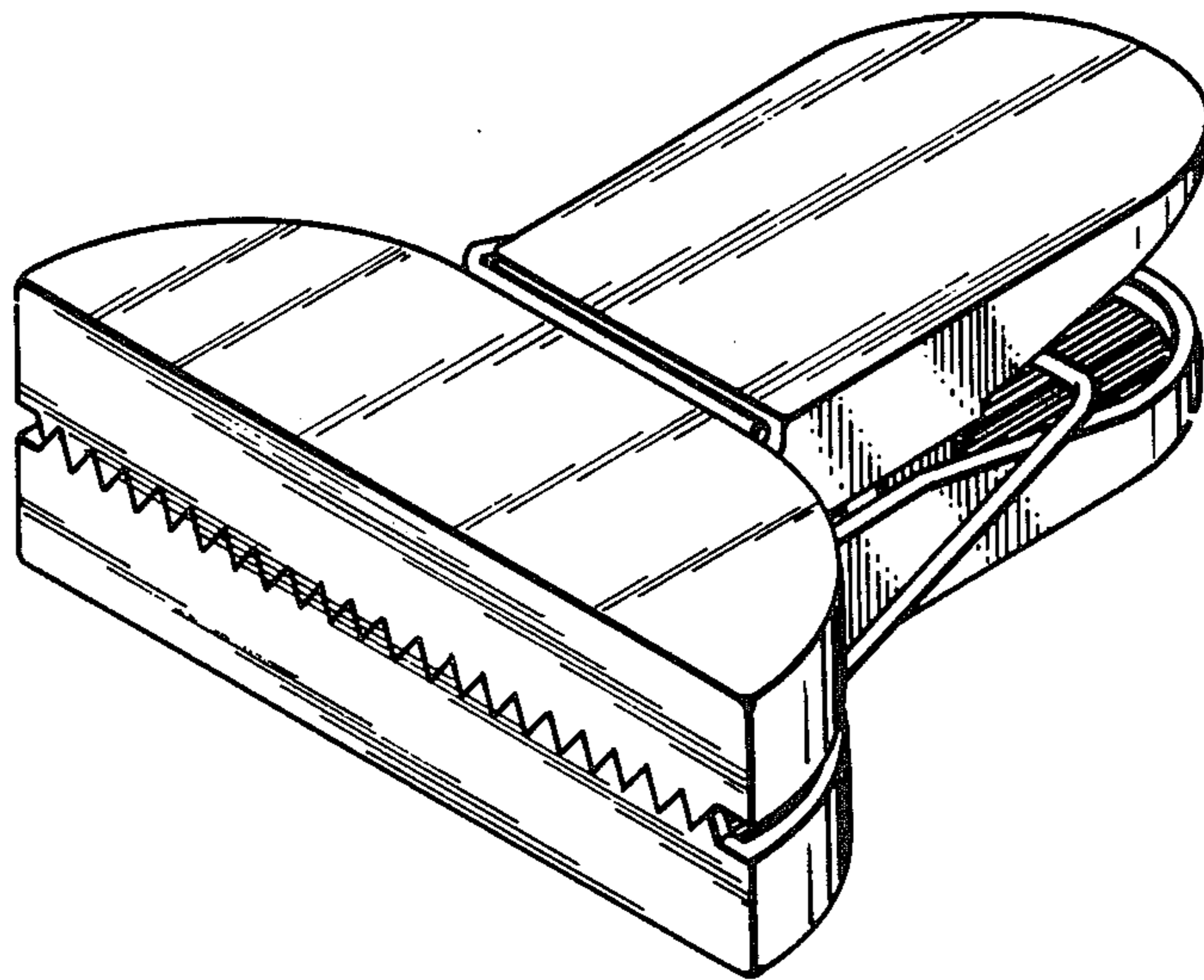
Primary Examiner—B. J. Bullock
Assistant Examiner—R. Seifert

[57] CLAIM

The ornamental design for a closure clip for bag of comestibles or the like, as shown and described.

DESCRIPTION

FIG. 1 is a perspective view of a closure clip for bag of comestibles or the like showing my new design; FIG. 2 is a top plan view thereof, the bottom being a mirror image; FIG. 3 is right side elevational view thereof, the left side being a mirror image; FIG. 4 is a front elevational view thereof; and FIG. 5 is a rear elevational view thereof.



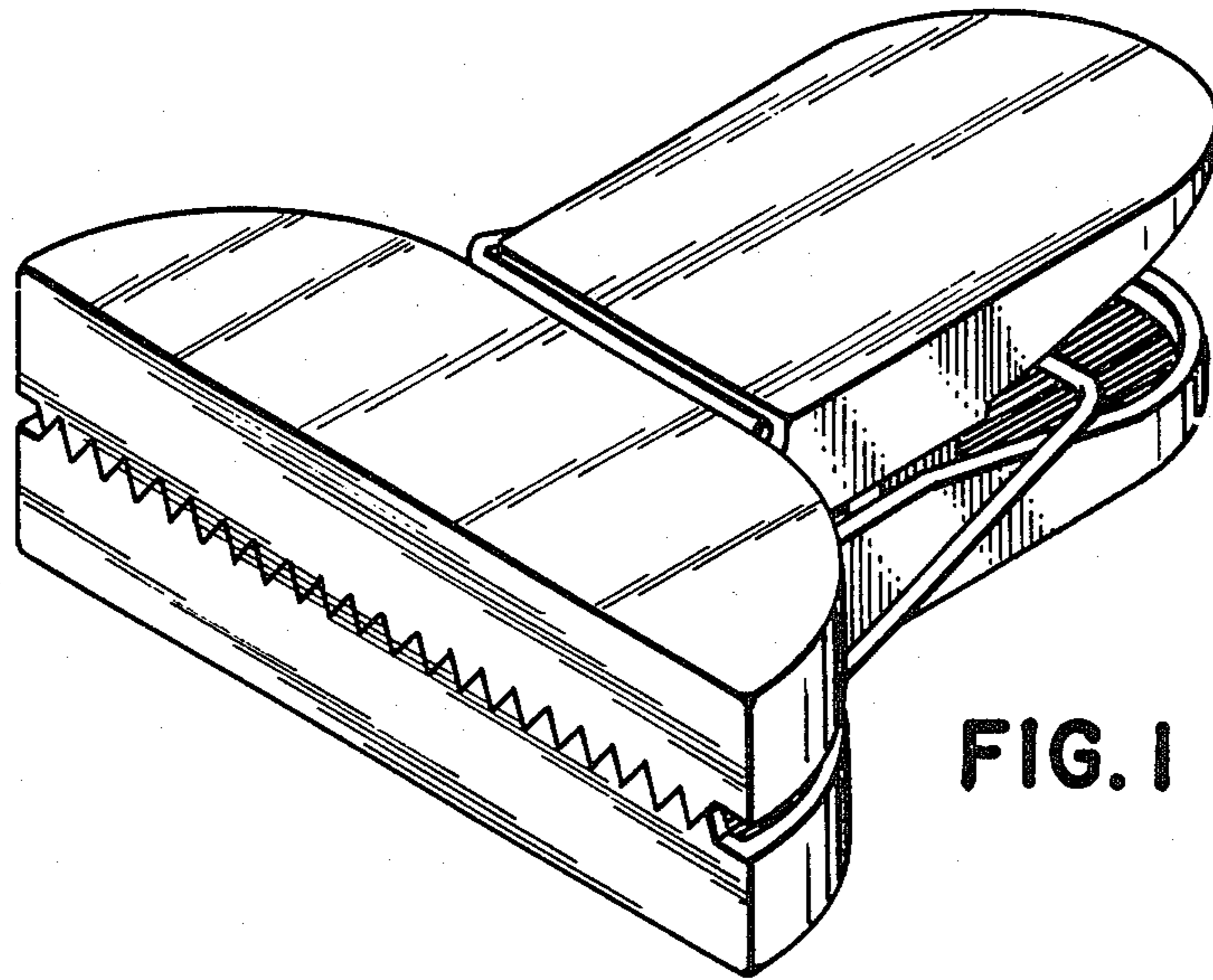


FIG. 1

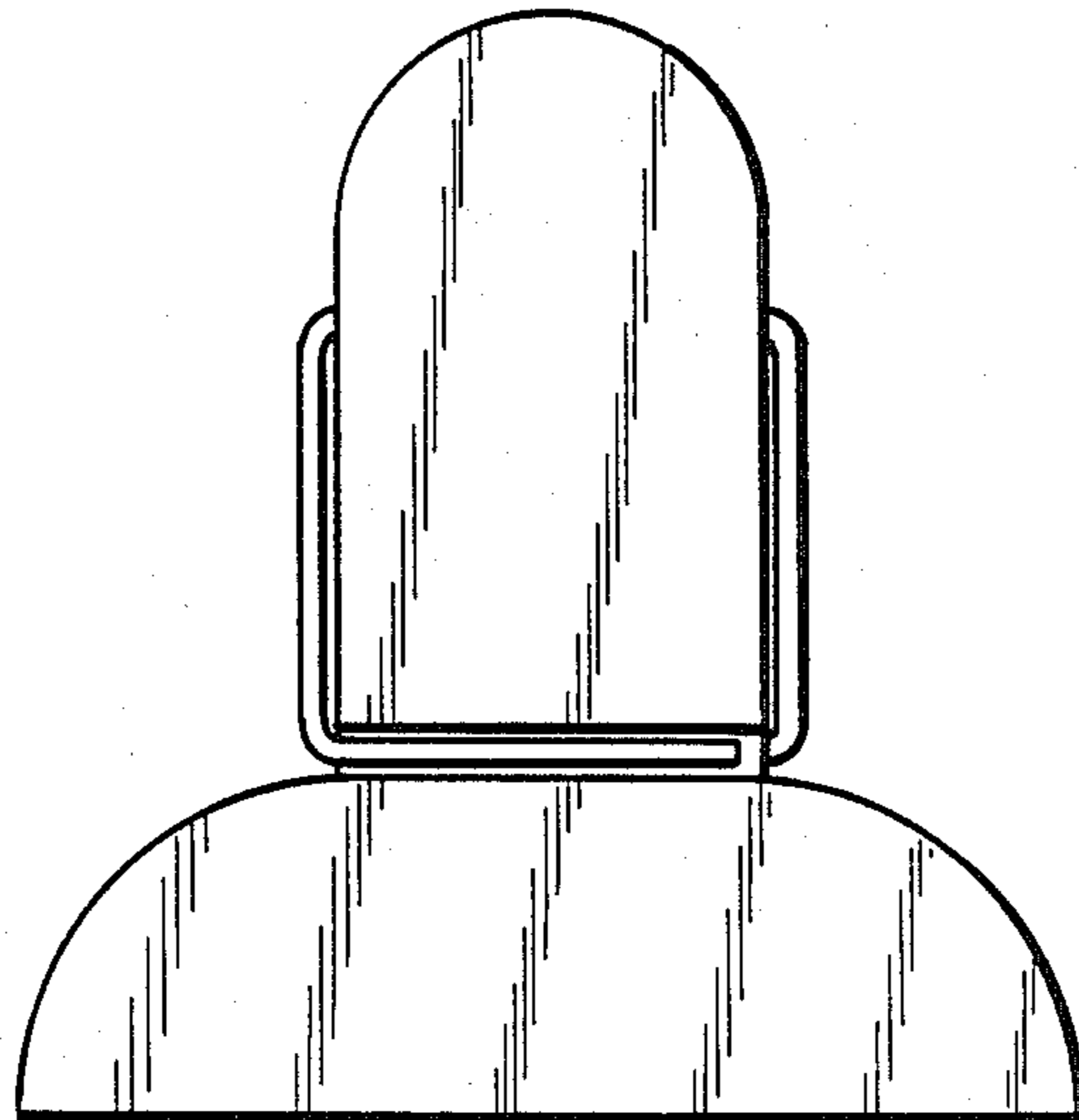


FIG. 2

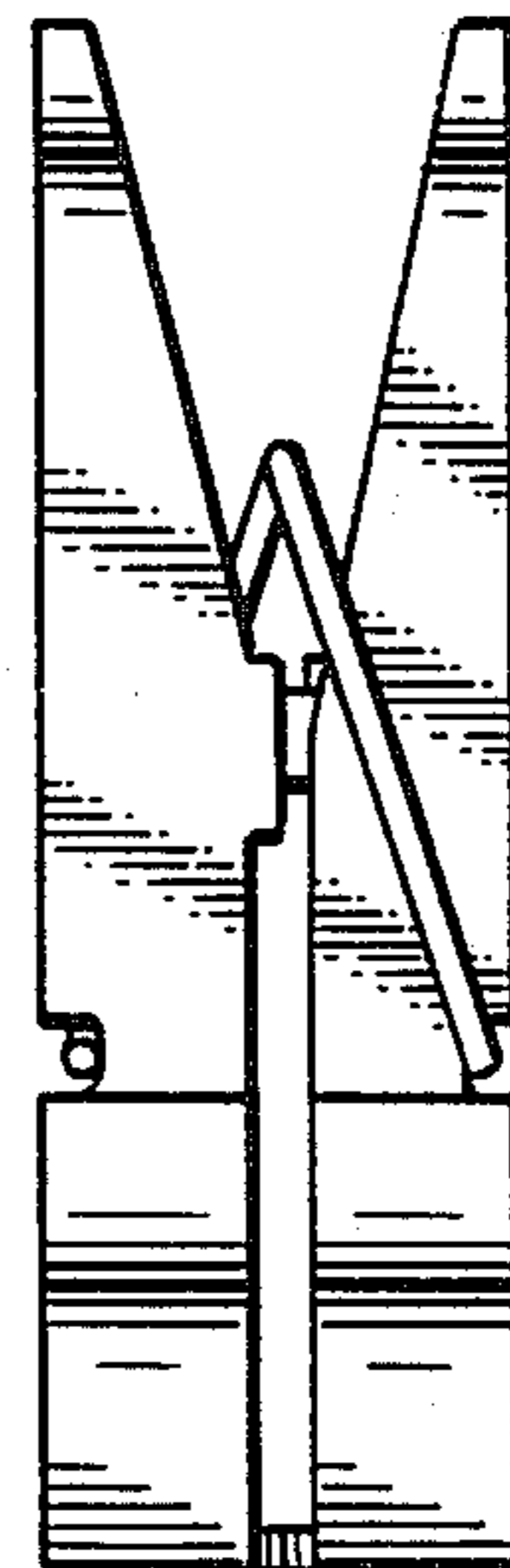


FIG. 3

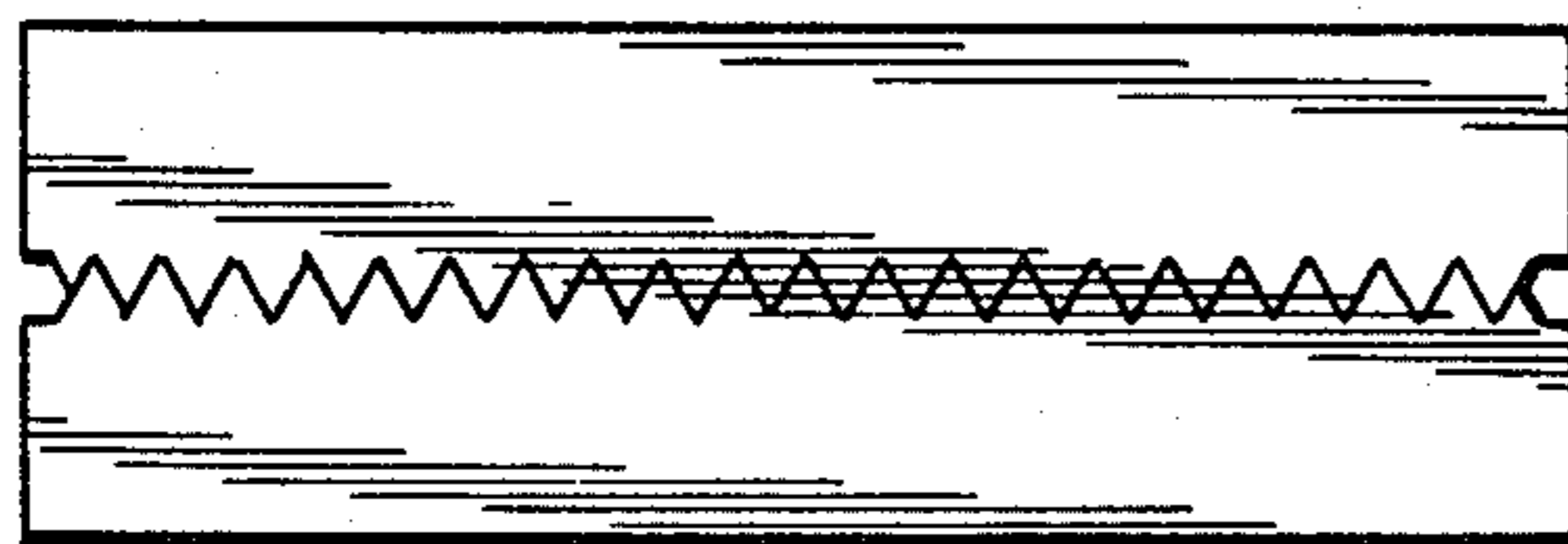


FIG. 4

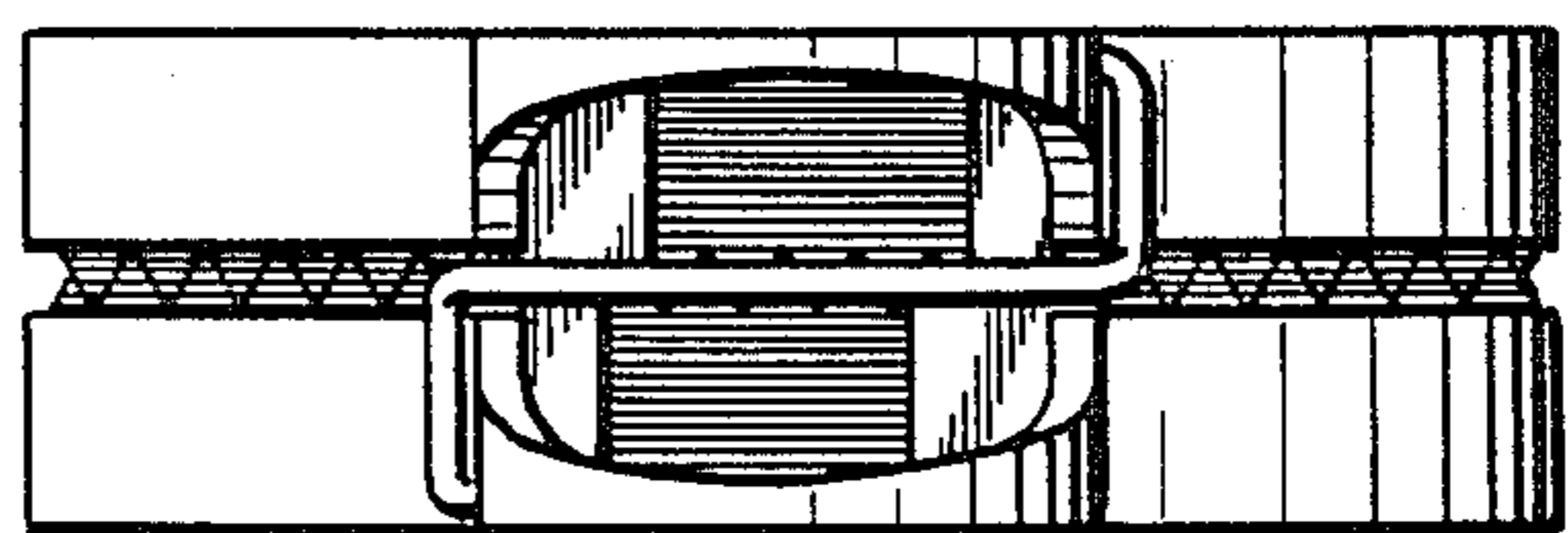


FIG. 5