

[54] KNIFE SHARPENER

[75] Inventor: Daniel D. Friel, Greenville, Del.

[73] Assignee: Edgecraft Corp., Wilmington, Del.

[**] Term: 14 Years

[21] Appl. No.: 909,424

[22] Filed: Sep. 19, 1986

[52] U.S. Cl. D8/93

[58] Field of Search D8/90-94,
D8/63; D7/74; 51/158, 204, 211 R, 211 H, 221
BS, 285, 205 WG; 76/82, 82.1, 82.2, 83, 88,
DIG. 9; 30/138

[56] References Cited

U.S. PATENT DOCUMENTS

D. 176,887 2/1956 Schwaneke et al. D8/63

D. 280,286 8/1985 Van Asten D8/93
2,775,075 12/1956 McMaster et al. 51/285
3,289,498 12/1966 Pleasants D8/93 X
3,332,173 7/1967 McMaster et al. 51/128

Primary Examiner—Bruce W. Dunkins
Assistant Examiner—Clare E. Heflin
Attorney, Agent, or Firm—Connolly & Hutz

[57] CLAIM

The ornamental design for a knife sharpener, as shown and described.

DESCRIPTION

FIG. 1 is a side elevational view of a knife sharpener showing my new design;
FIG. 2 is a top plan view thereof;
FIG. 3 is an end elevational view thereof;
FIG. 4 is a bottom plan view thereof; and
FIG. 5 is a top perspective view thereof.

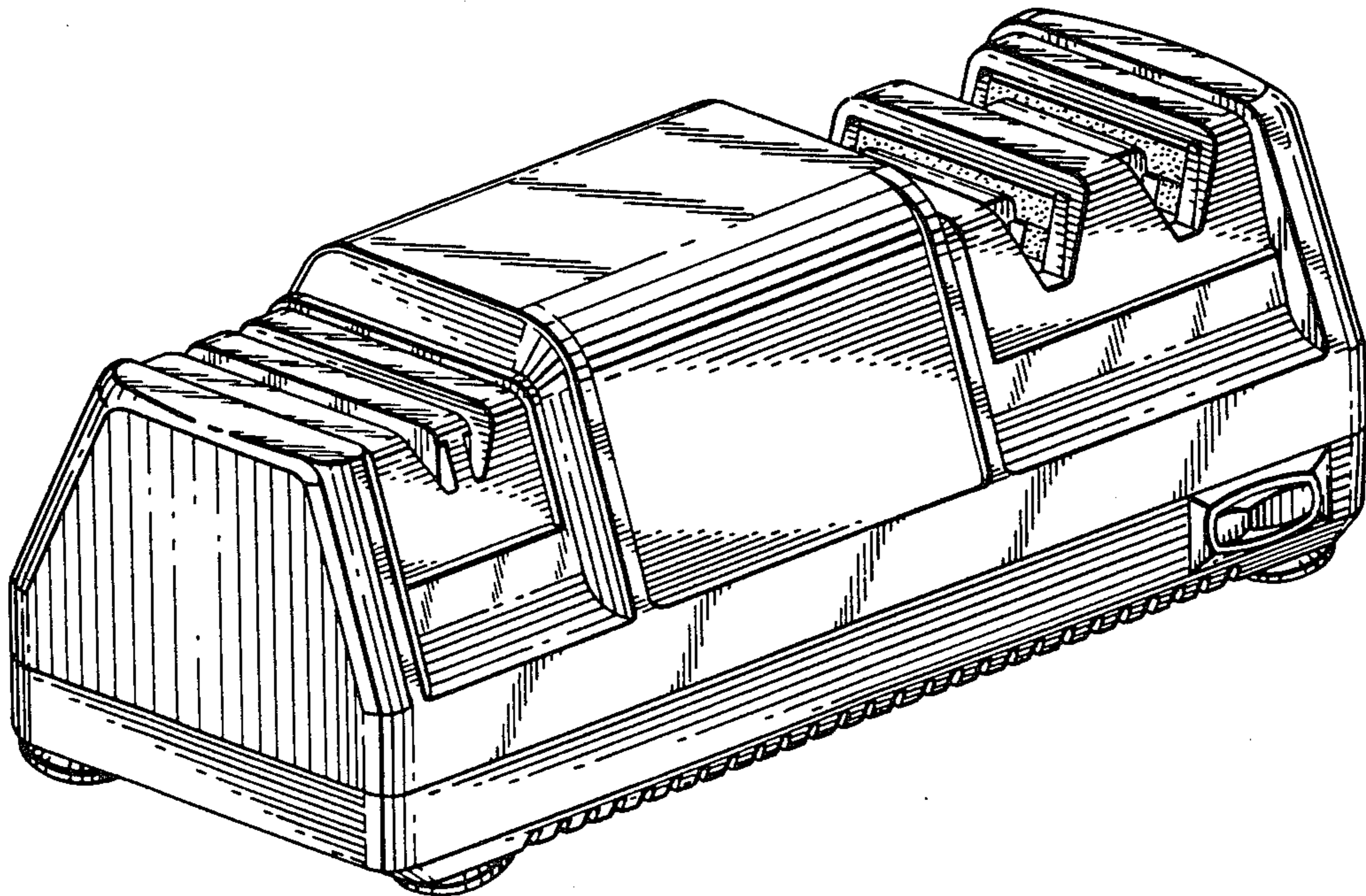


Fig. 2.

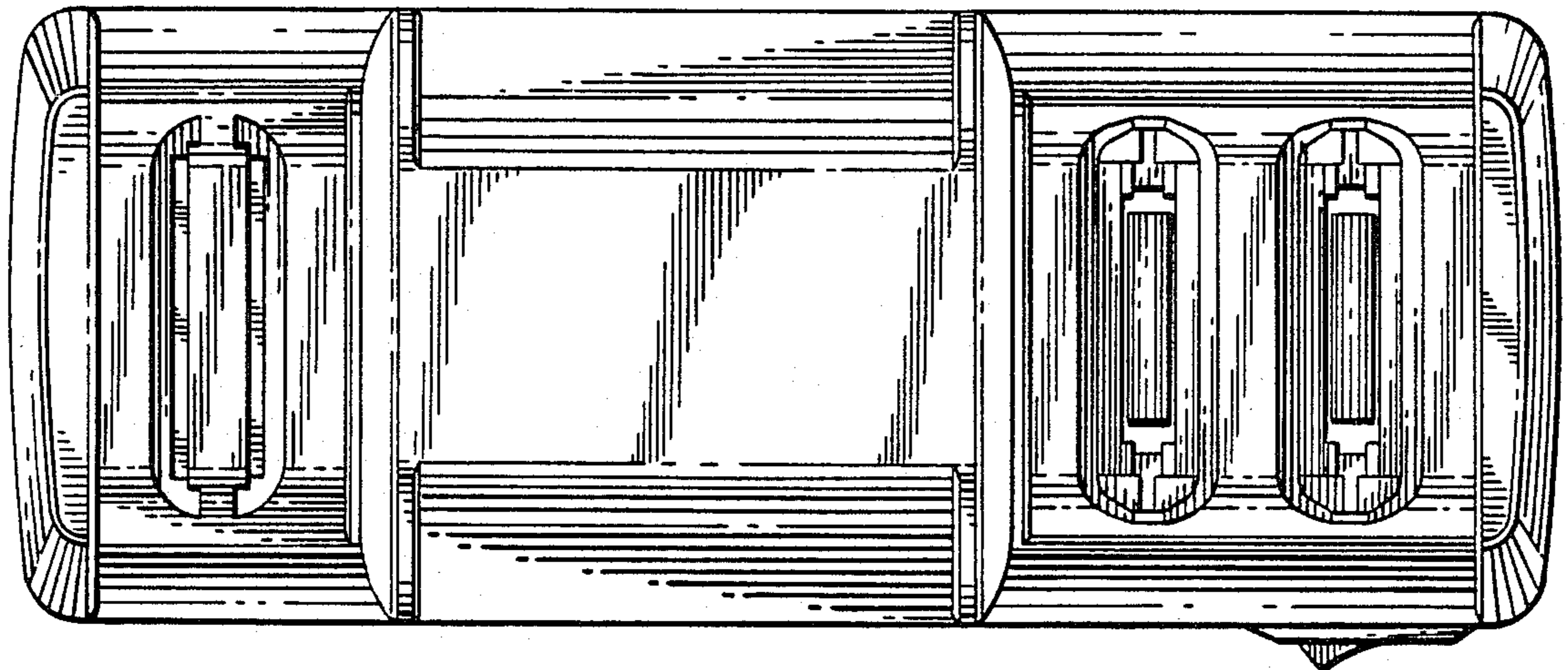


Fig. 1.

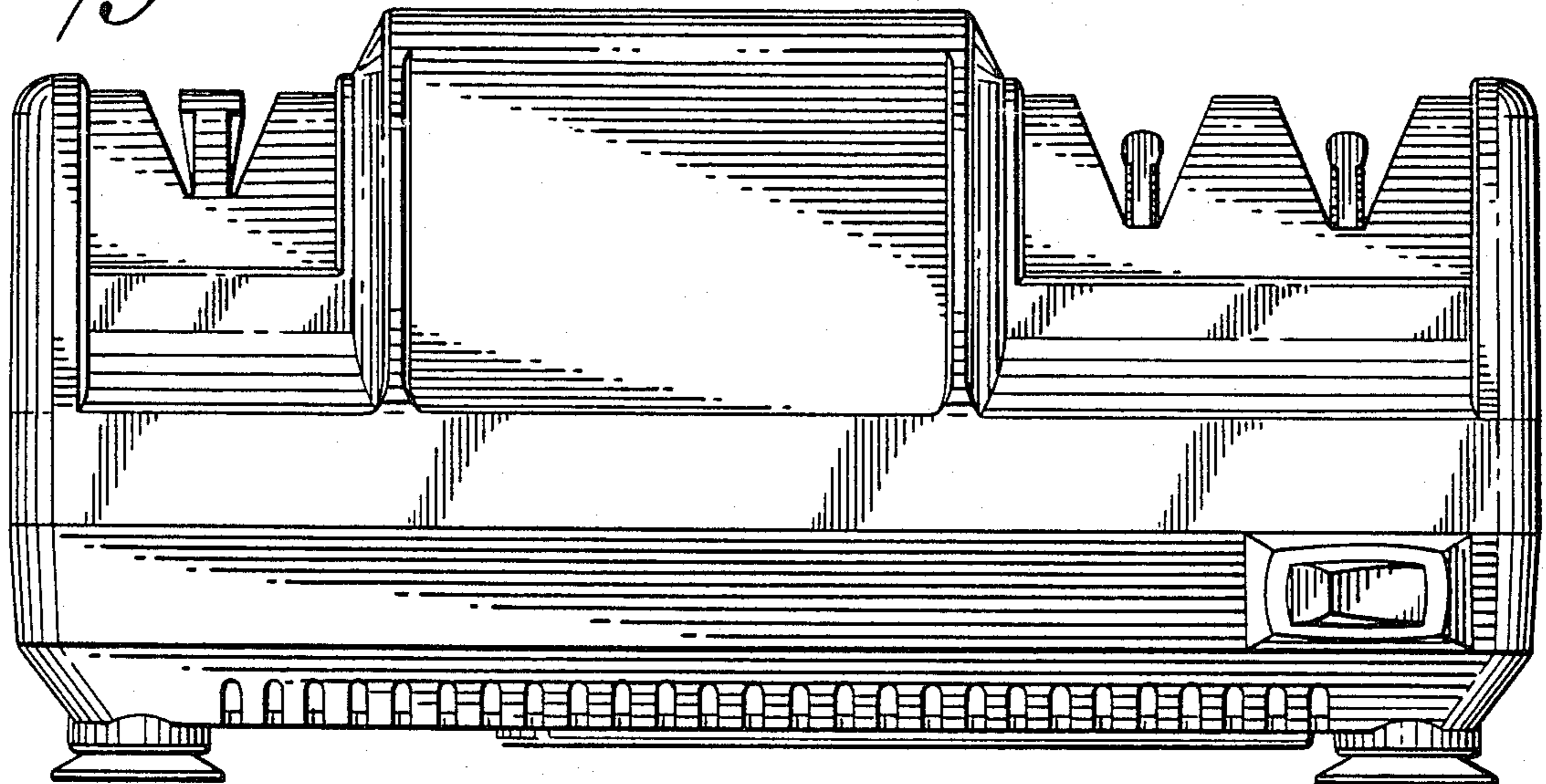


Fig. 3.

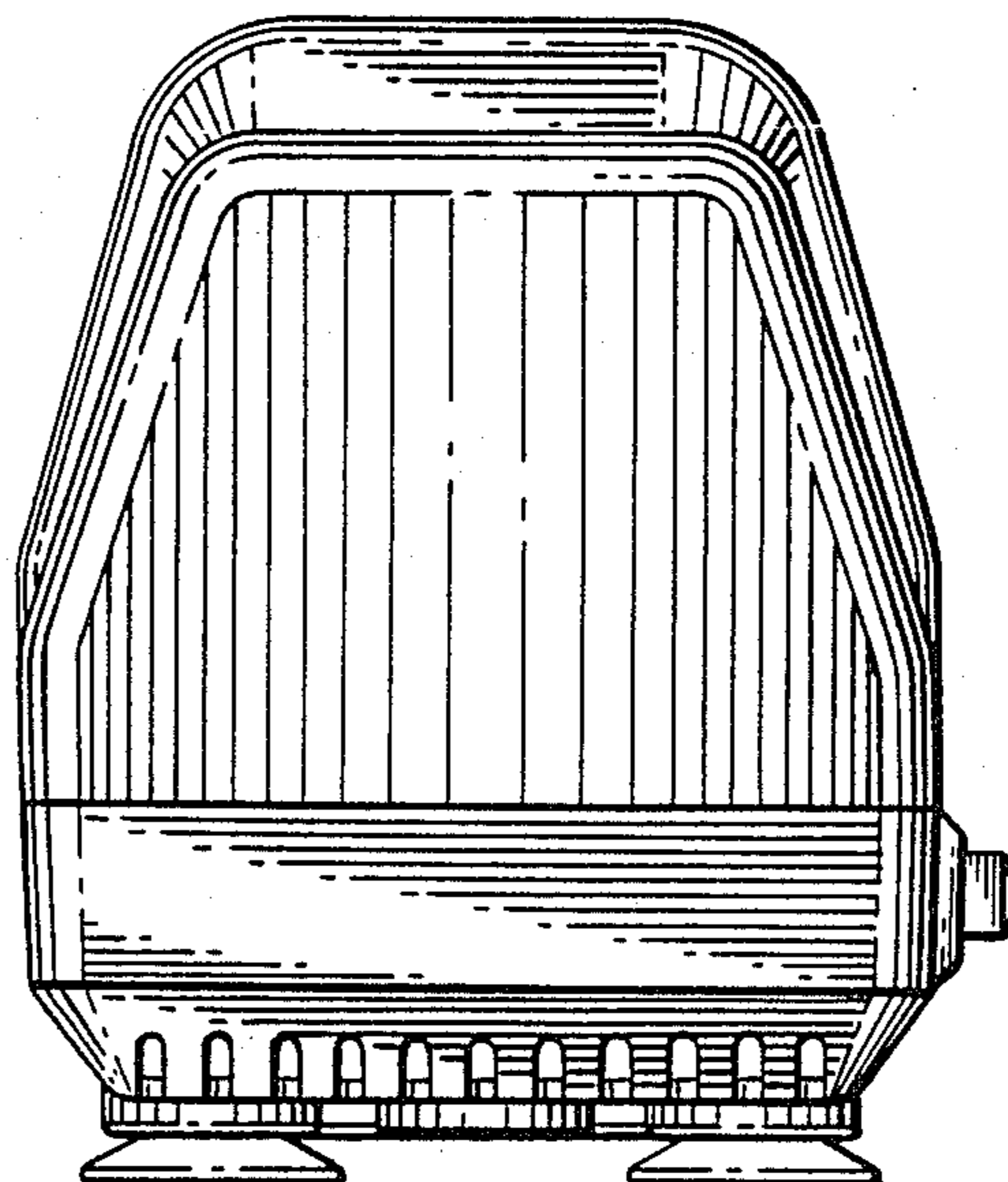
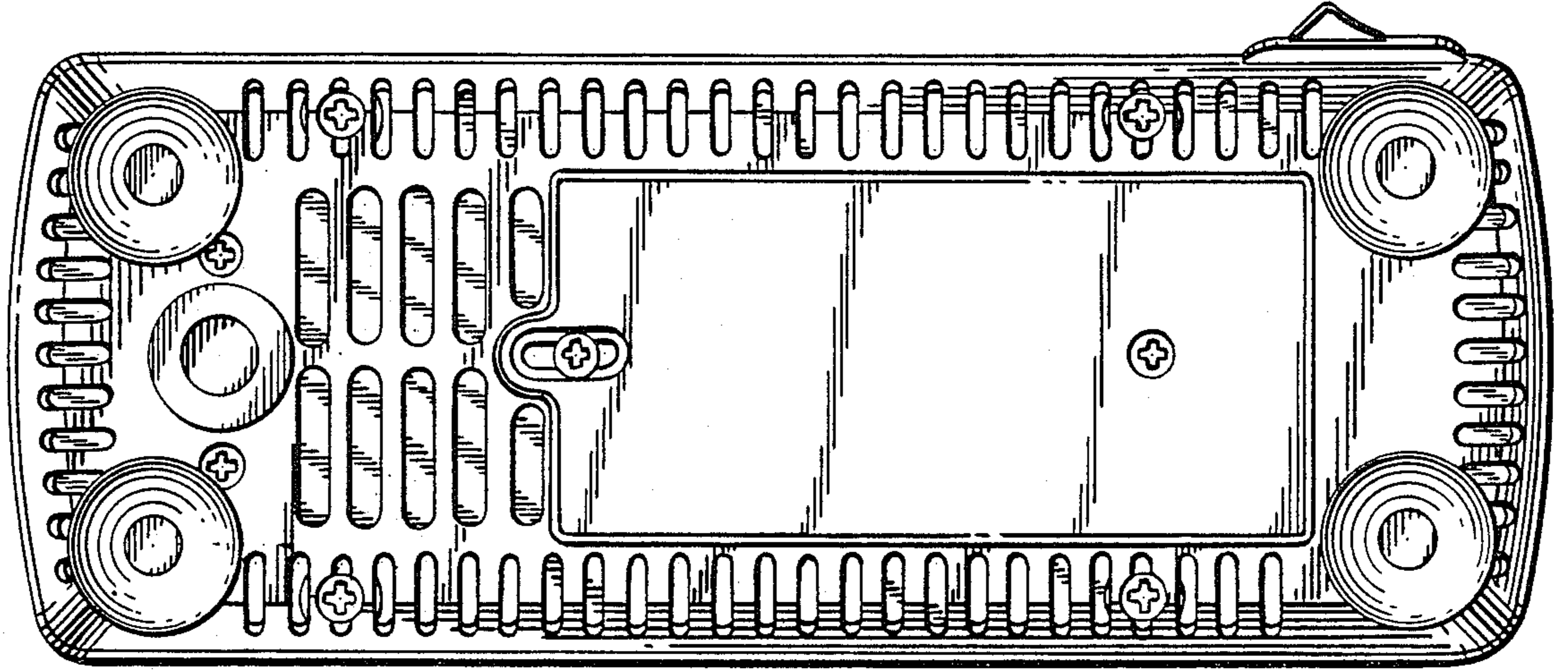


Fig. 4.



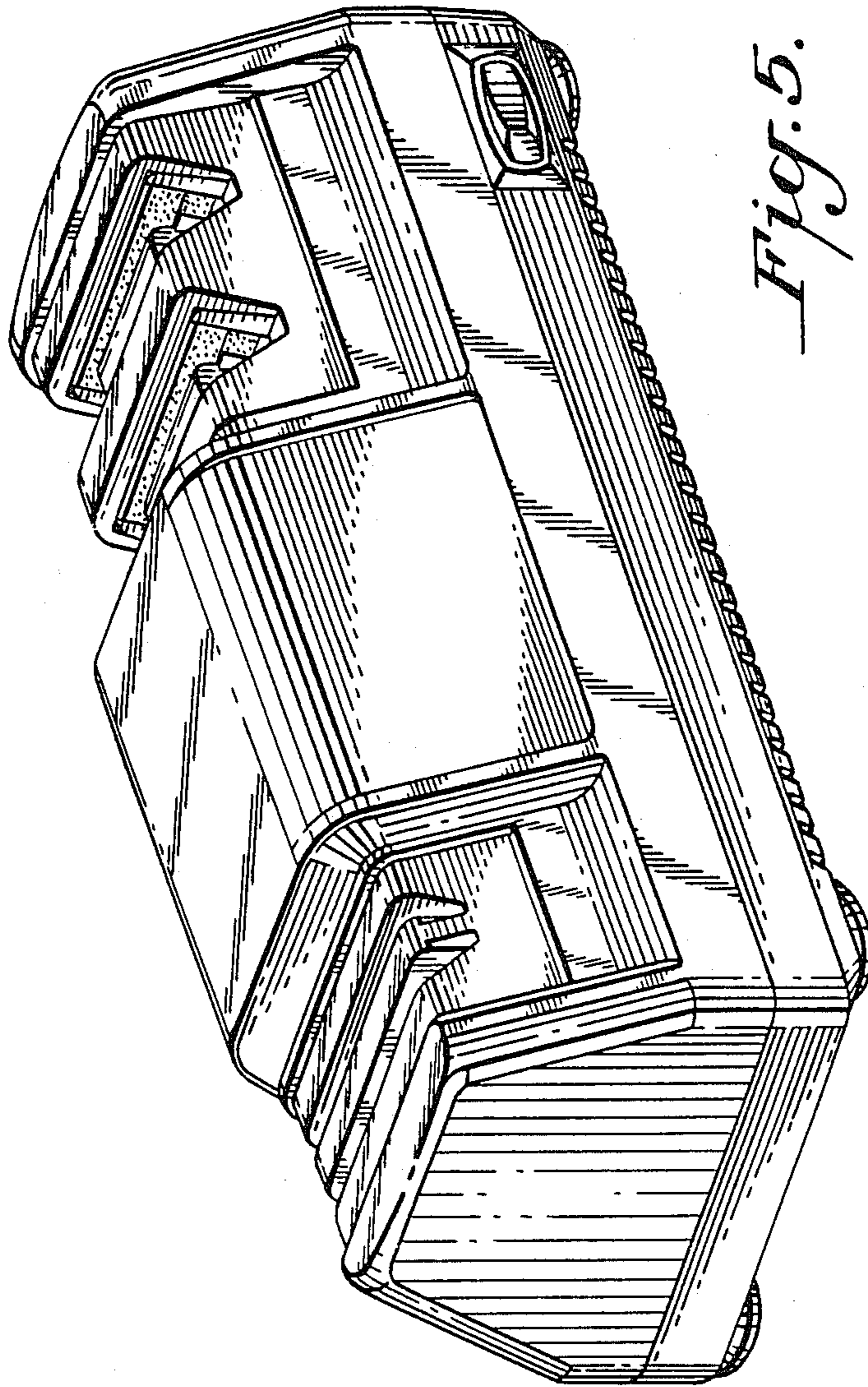


Fig. 5.