

[54] BATTERY-OPERATED SCREWDRIVER OR SIMILAR ARTICLE

[75] Inventors: Martin P. Gierke, Baltimore; Robert L. Somers, Sparks, both of Md.

[73] Assignee: Black & Decker Inc., Newark, Del.

[**] Term: 14 Years

[21] Appl. No.: 18,187

[22] Filed: Feb. 20, 1987

[52] U.S. Cl. D8/61; D8/82

[58] Field of Search D8/82, 83, 85, 61-70, D8/107; 81/57.11, 57.13, 57.14; 173/170; 310/50; 51/170 R, 170 PT

[56] References Cited

U.S. PATENT DOCUMENTS

D. 275,932	10/1984	Himbert et al. .	
1,990,017	12/1933	Baumgratz et al. .	
2,696,569	12/1954	Schumann .	
2,780,966	2/1957	Frost et al. .	
2,964,151	12/1958	Eckman .	
3,276,524	3/1964	Falter .	
3,802,518	4/1974	Albert .	
3,832,776	9/1974	Sawyer .	
3,935,909	2/1976	Mabuchi et al.	D8/61 X
4,078,589	3/1978	Miller .	
4,111,269	9/1978	Ottestad	173/170

FOREIGN PATENT DOCUMENTS

785053	8/1935	France .
695571	12/1958	Netherlands .
913388	12/1962	United Kingdom .
1568952	6/1980	United Kingdom .

OTHER PUBLICATIONS

Skil Operating Guide, Model 2105 Cordless Screwdriver (cover only); publication date unknown. 1/4" Hex. Dr. Cordless Power Screwdriver, SA-701 Operating Manual. International Consumer Brands, Inc. carton, ©1985.

Primary Examiner—Bruce W. Dunkins
Assistant Examiner—Clare E. Heflin
Attorney, Agent, or Firm—Dennis A. Dearing; Edward D. Murphy

[57] CLAIM

The ornamental design for a battery-operated screwdriver or similar article, as shown and described.

DESCRIPTION

FIG. 1 is a front perspective view of the battery operated screwdriver or similar article showing our new design;
FIG. 2 is a right side elevational view thereof, the left side being a mirror image;
FIG. 3 is a top plan view thereof;
FIG. 4 is a bottom plan view thereof;
FIG. 5 is a rear elevational view thereof;
FIG. 6 is a front elevational view thereof.

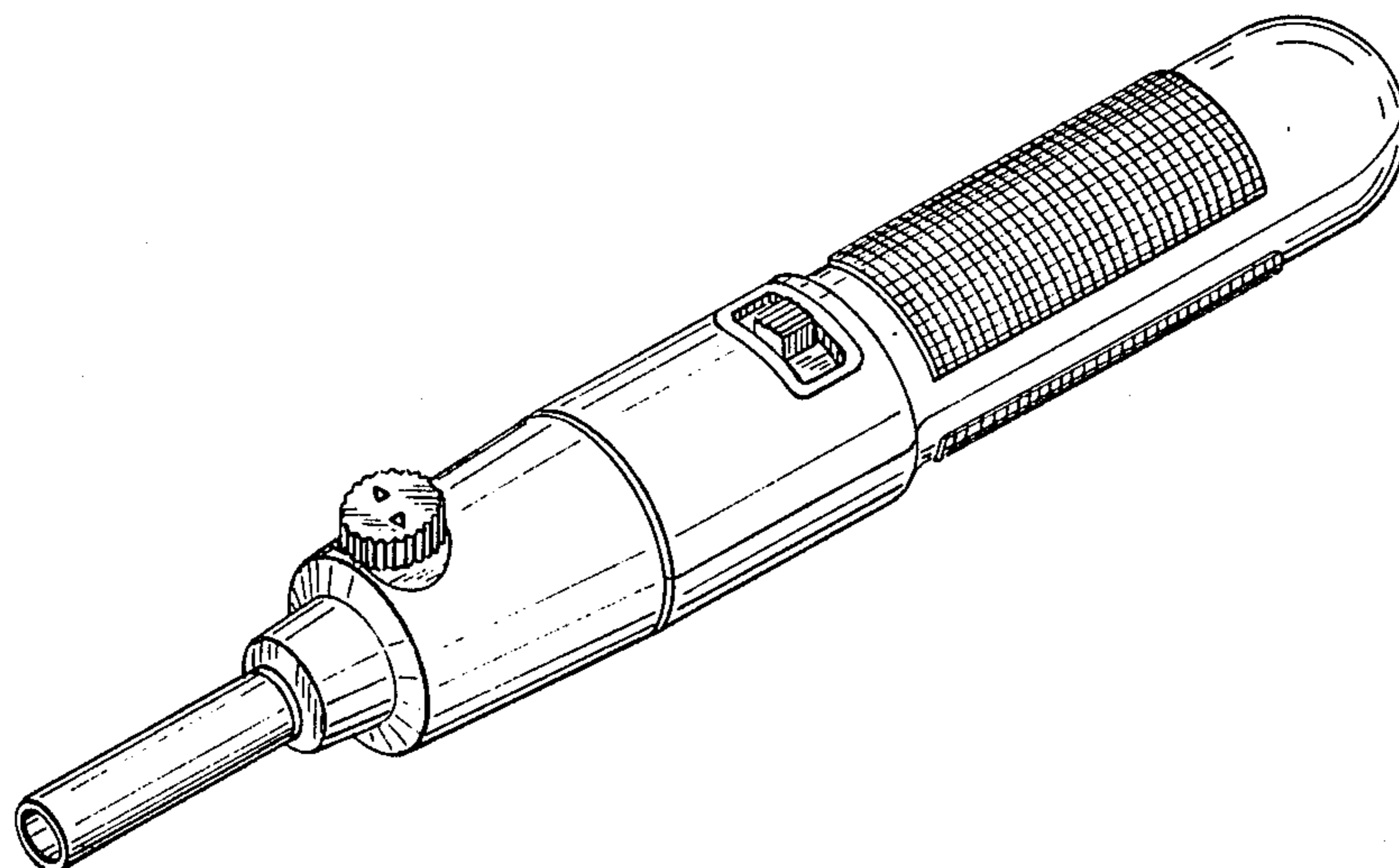


FIG. 1

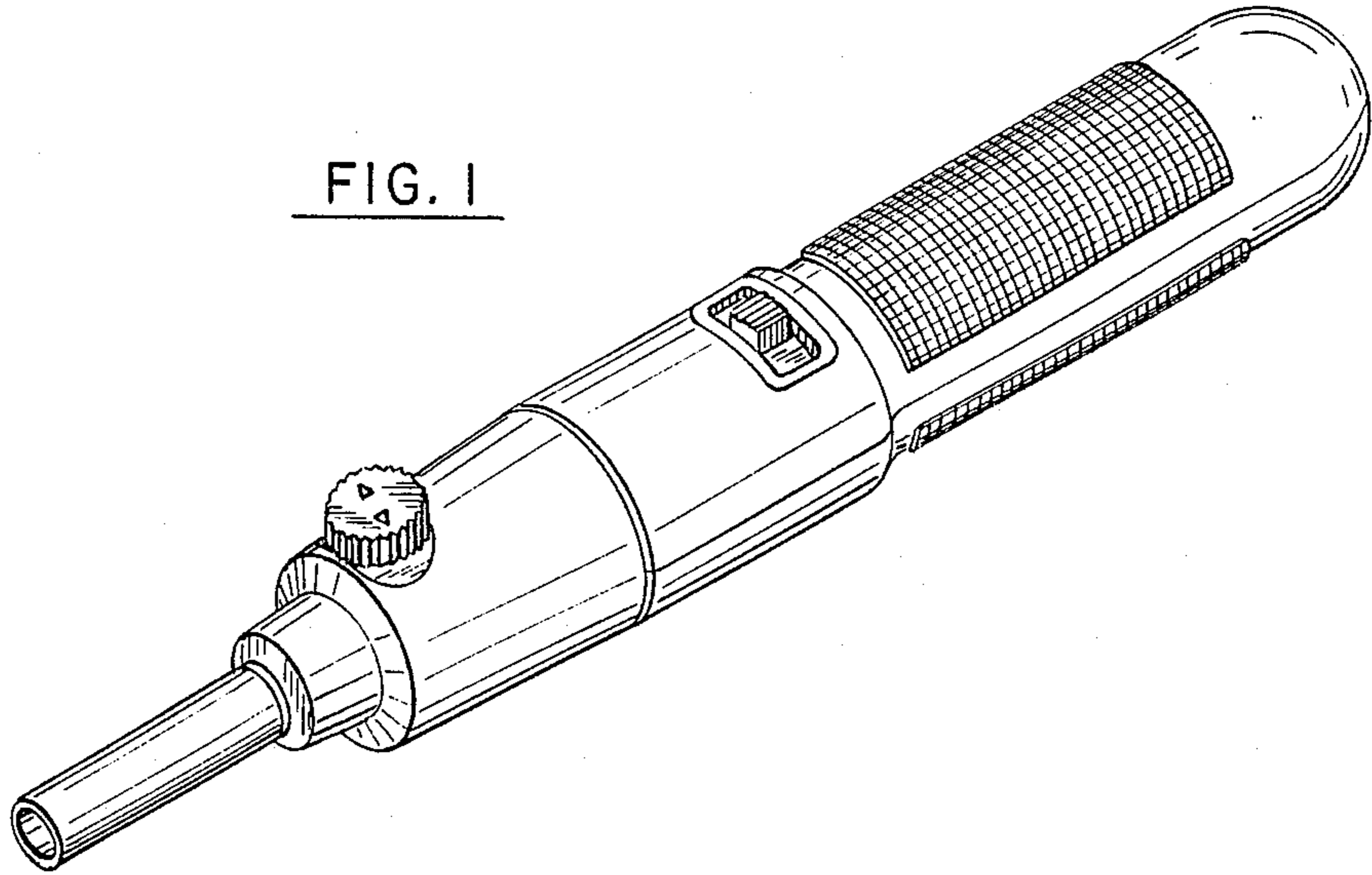


FIG. 2

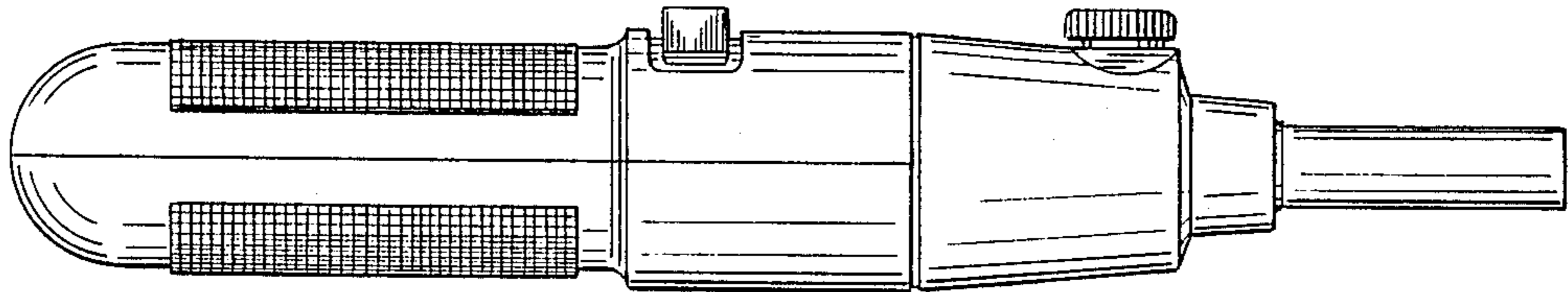


FIG. 3

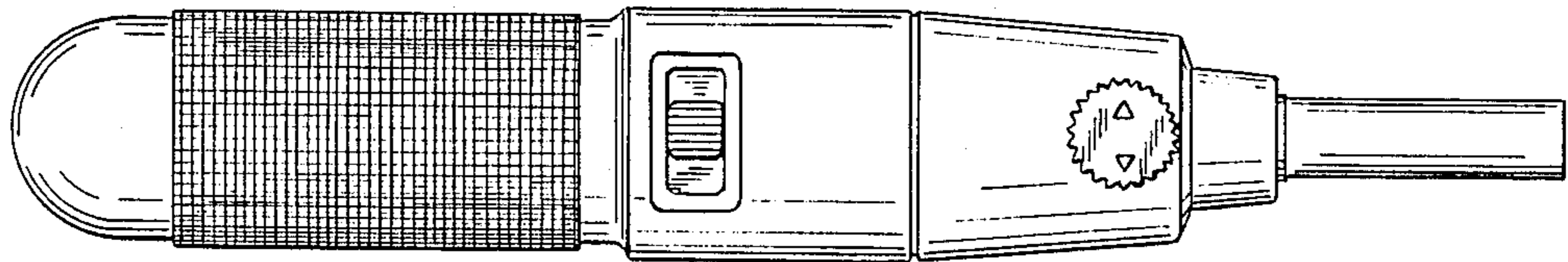


FIG. 4

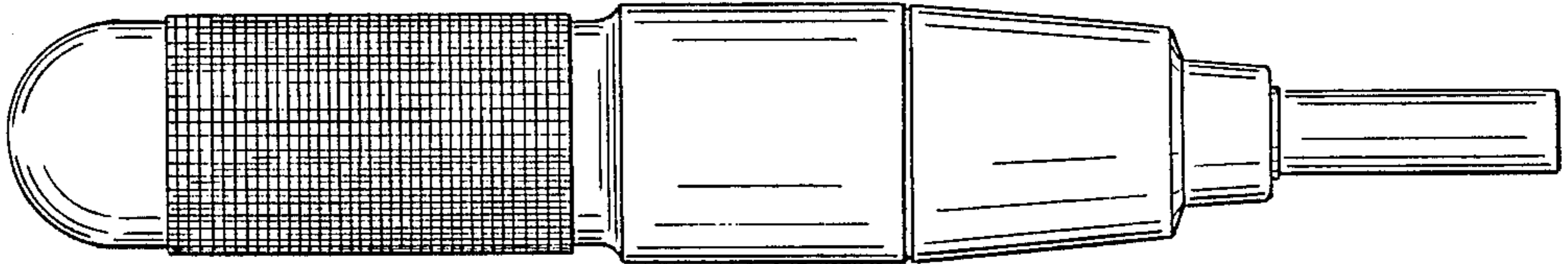


FIG. 5

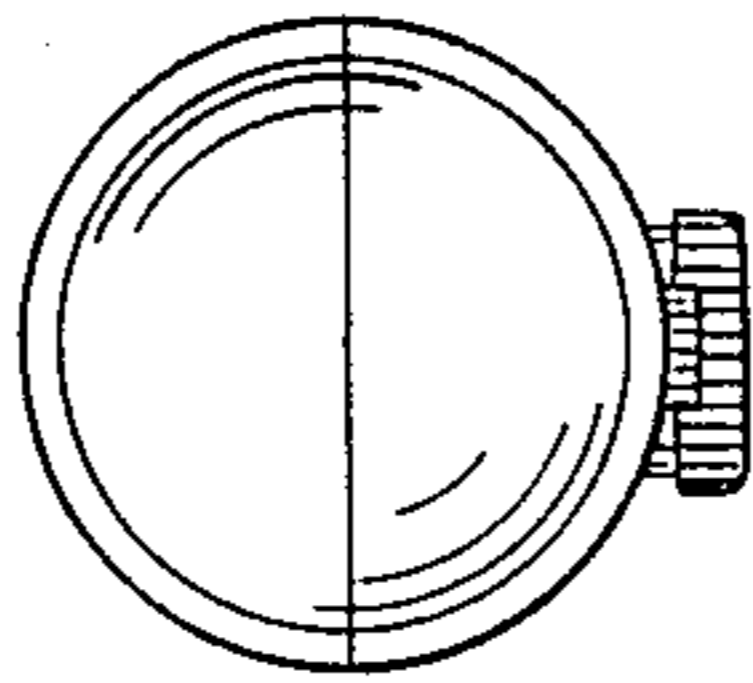


FIG. 6

