

[54] CUP HOLDER

[75] Inventor: Kermit F. Parsons, Constantine, Mich.

[73] Assignee: Louroth Industries, Inc., Elkhart, Ind.

[**] Term: 14 Years

[21] Appl. No.: 41,368

[22] Filed: Apr. 23, 1987

[52] U.S. Cl. D7/70; D7/23

[58] Field of Search D7/70, 71, 77, 45, 6, D7/13, 23, 11; D9/455; 248/311.2, 346.1; 215/100 R, 100 A, 100.5; 220/85 H

[56] References Cited

U.S. PATENT DOCUMENTS

D. 217,781 6/1970 Stone D7/13 X
D. 298,719 11/1988 Beckerer, Jr. D7/70

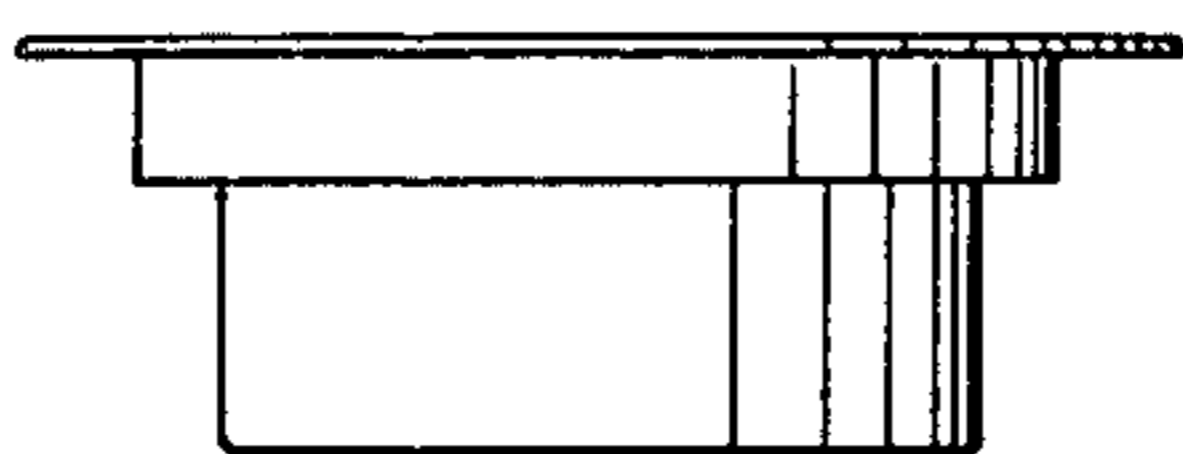
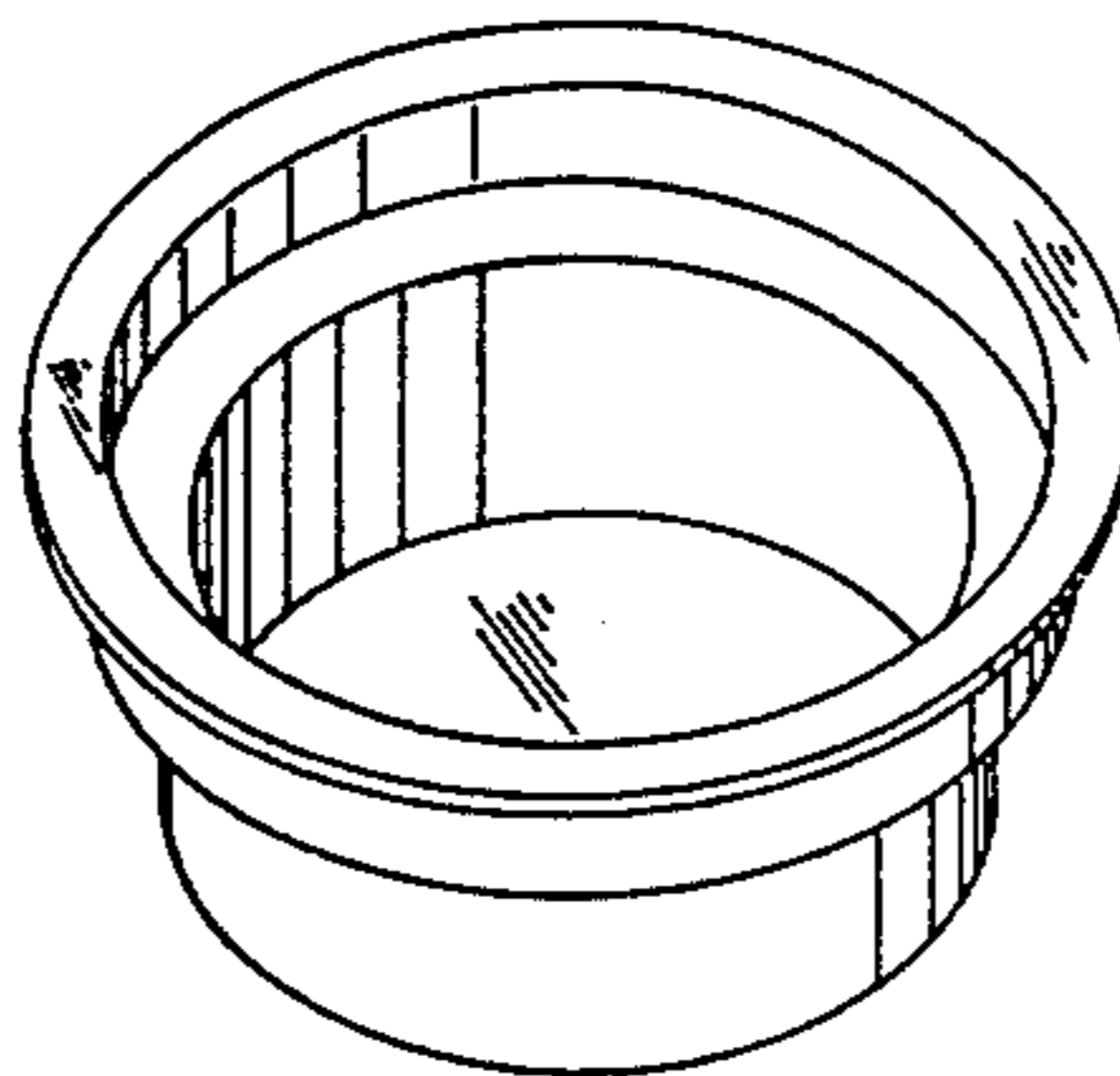
Primary Examiner—Bernard Ansher
Assistant Examiner—Terry A. Pfeffer
Attorney, Agent, or Firm—James D. Hall; Thomas J. Dodd; Todd A. Dawson

[57] CLAIM

The ornamental design for a cup holder, as shown and described.

DESCRIPTION

FIG. 1 is a perspective view of the cup holder showing my new design.
FIG. 2 is a top plan view thereof;
FIG. 3 is a typical side elevational view thereof; and
FIG. 4 is a bottom plan view thereof.



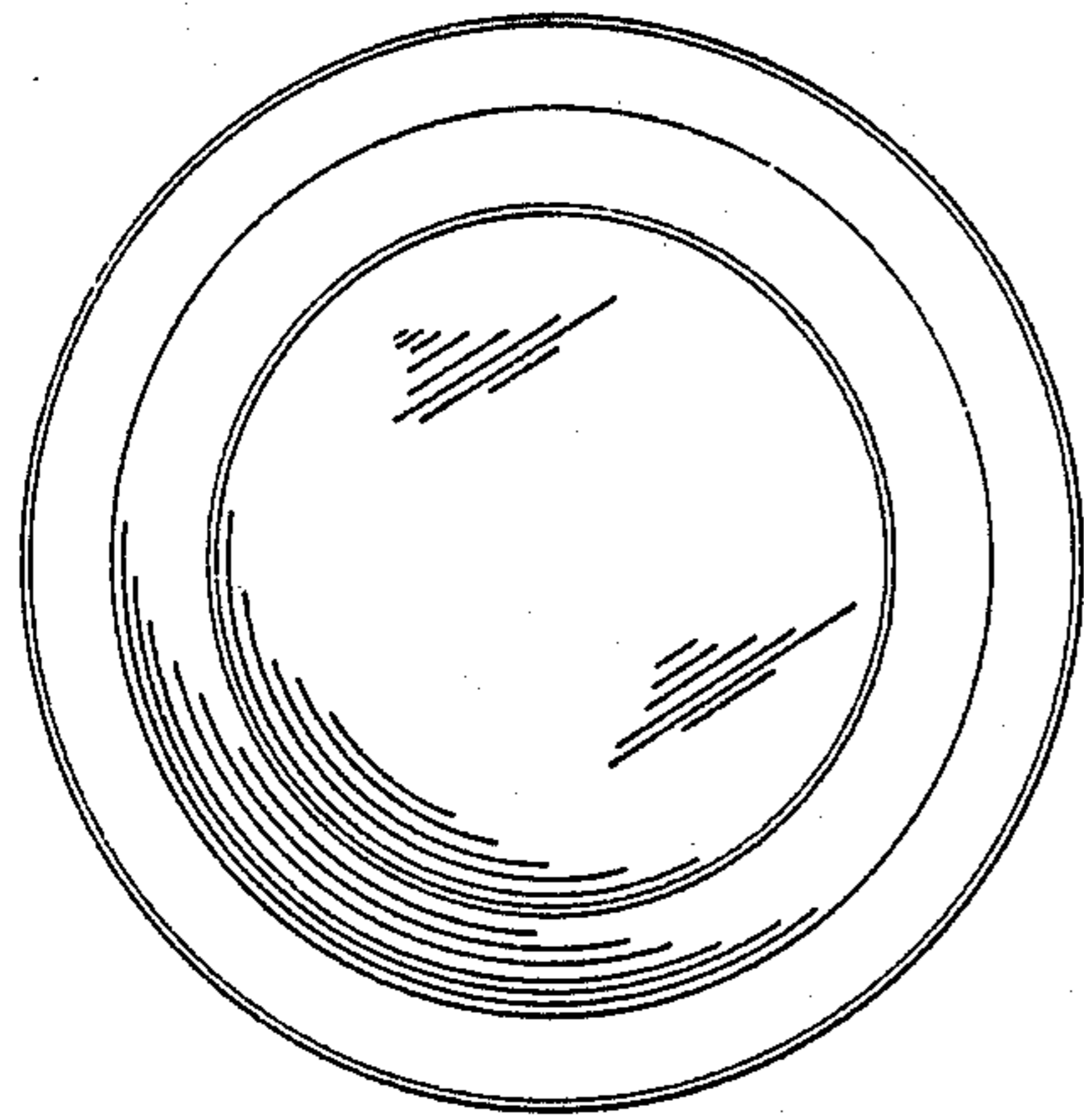


FIG. 2

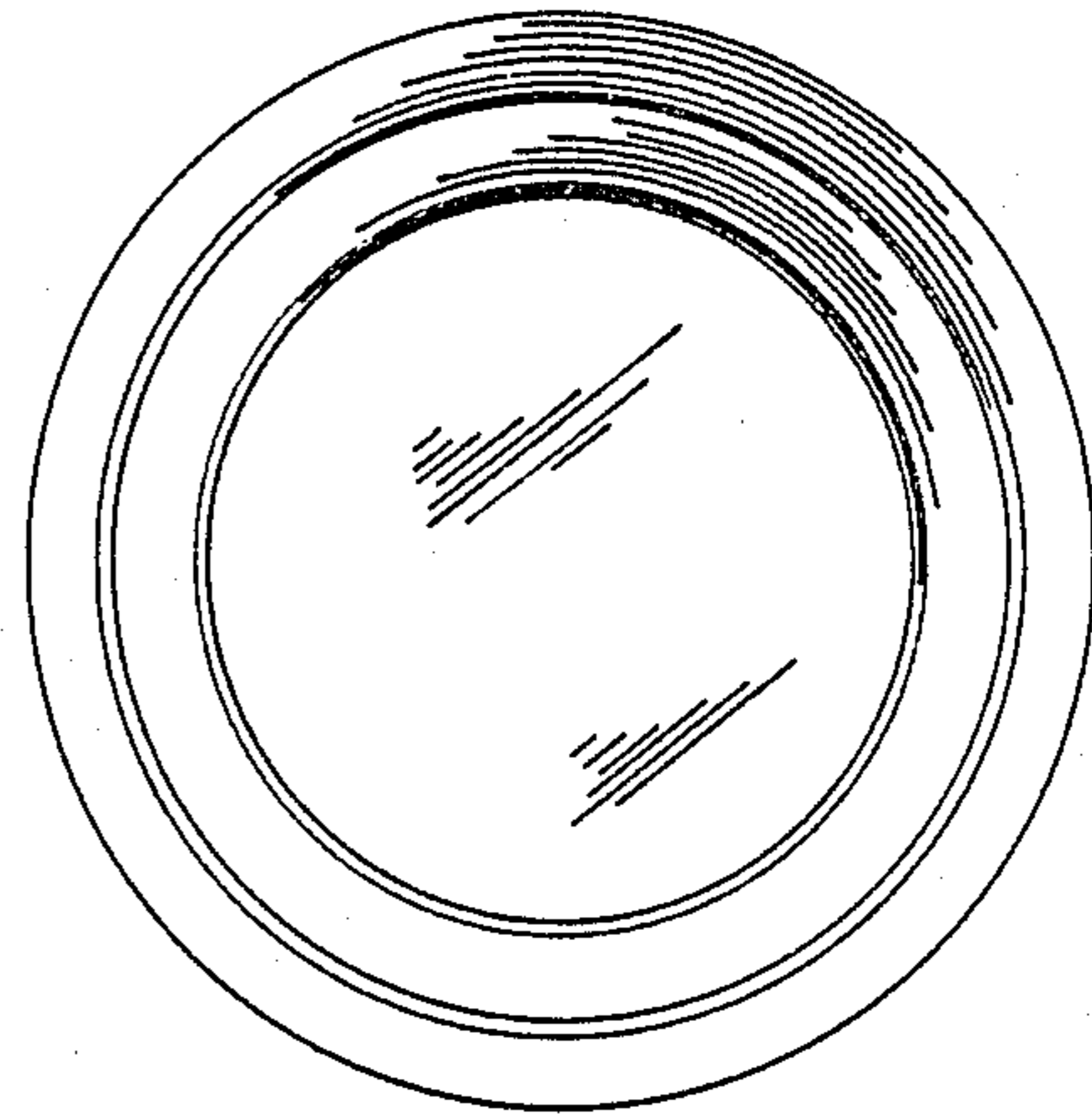


FIG. 4

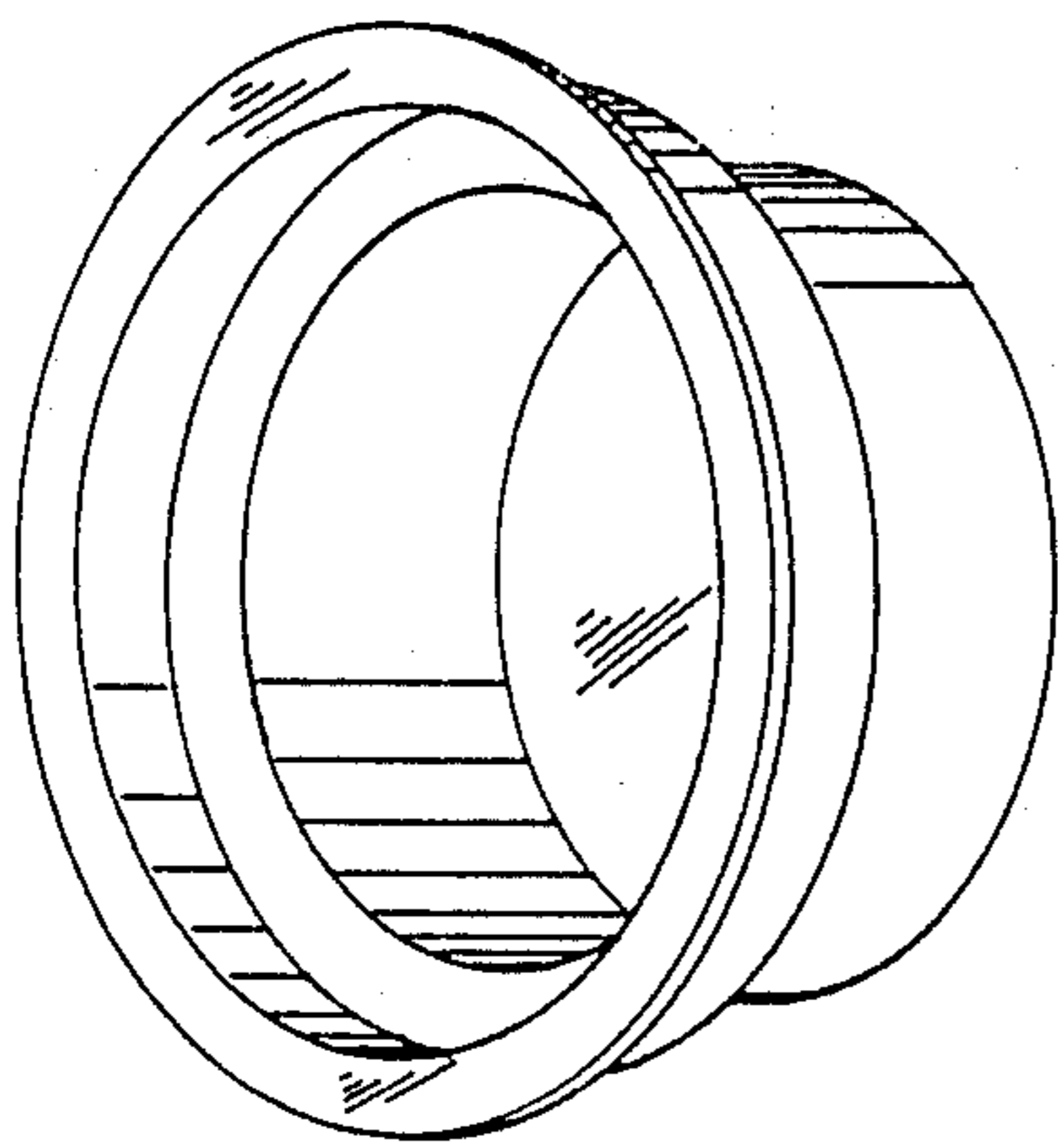


FIG. 1

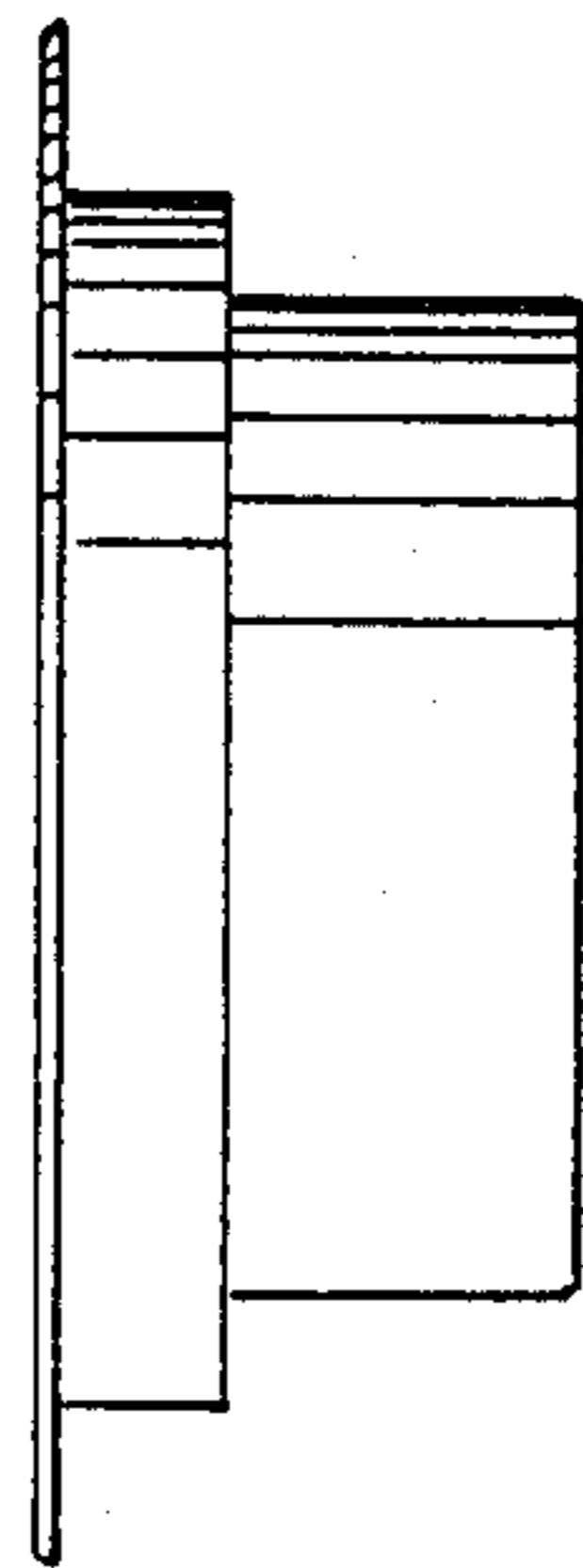


FIG. 3