

[54] COMBINED SNACK TRAY, BEVERAGE CUP, AND CUP HOLDER

[75] Inventors: Louis F. Darby, Cordova, Tenn.; Daniel Pavan, North Little Rock, Ark.; Howard H. Worrell, Jr., Shreveport, La.

[73] Assignee: Creative Plastics & Molding, Inc., Memphis, Tenn.

[**] Term: 14 Years

[21] Appl. No.: 860,431

[22] Filed: May 7, 1986

[52] U.S. Cl. D7/3; D7/6; D7/27; D7/70

[58] Field of Search D7/6, 15, 38, 37, 3, D7/, 70, 27, 20; D9/341; 347

[56] References Cited

U.S. PATENT DOCUMENTS

- D. 286,250 10/1986 Prescott D7/70 X
- D. 297,799 9/1988 Hammer D7/70
- 2,174,586 10/1939 Leppke D7/27 X
- 2,240,020 4/1941 Raiser D7/27 X

- 2,561,022 7/1951 Jones D7/27 X
- 2,920,804 1/1960 Minton D7/3 X
- 2,948,452 8/1960 Grogan et al. D7/70 X

FOREIGN PATENT DOCUMENTS

- 1476817 4/1967 France D7/6

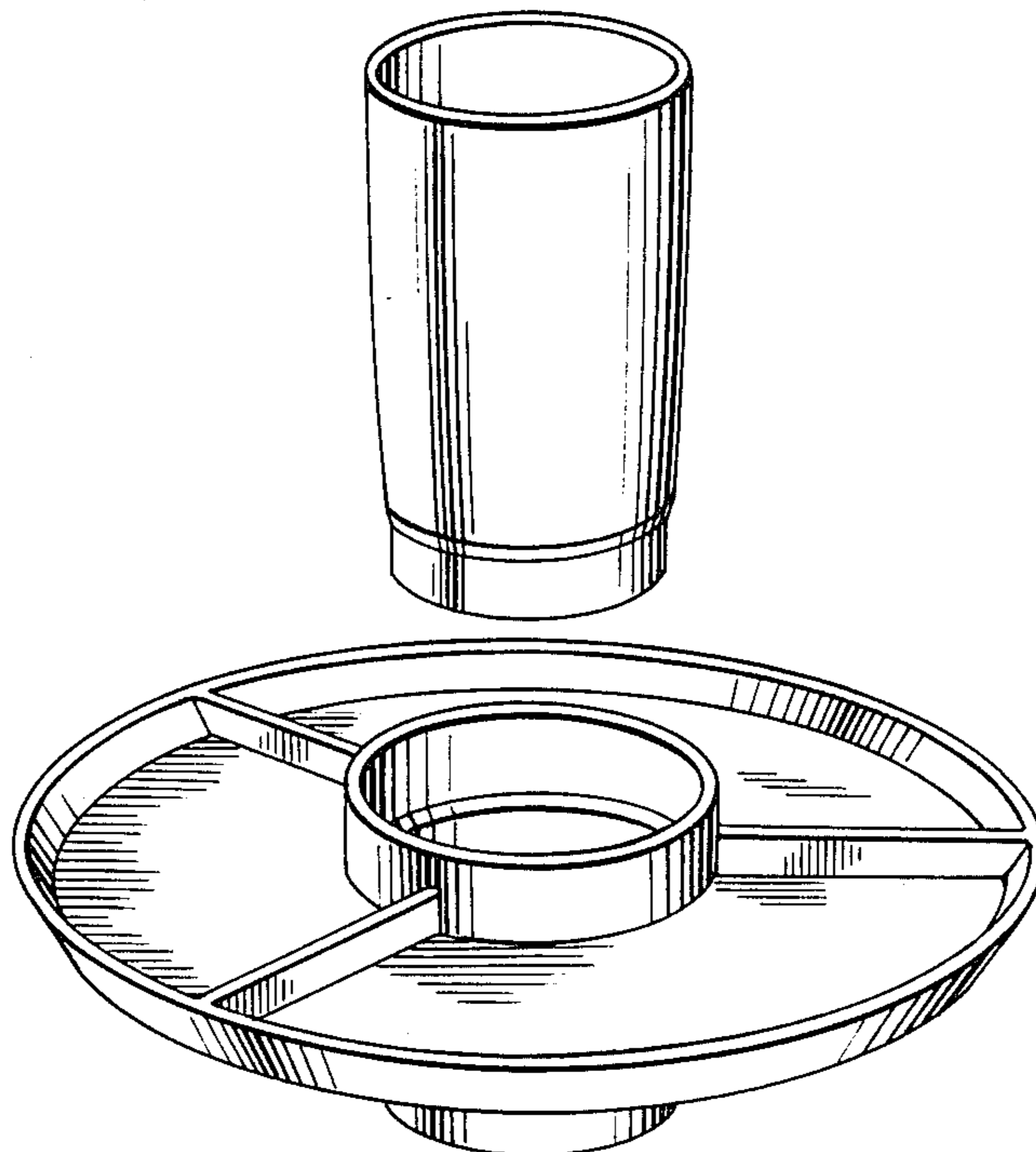
Primary Examiner—Winifred E. Herrmann
Attorney, Agent, or Firm—Fleit, Jacobson, Cohn, Price, Holman & Stern

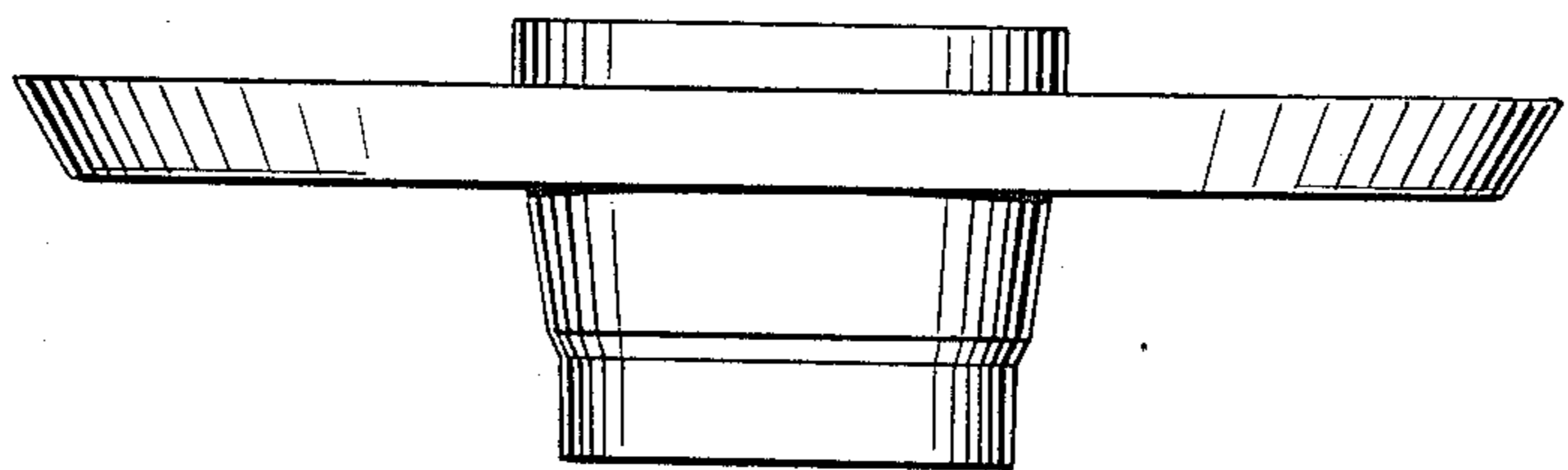
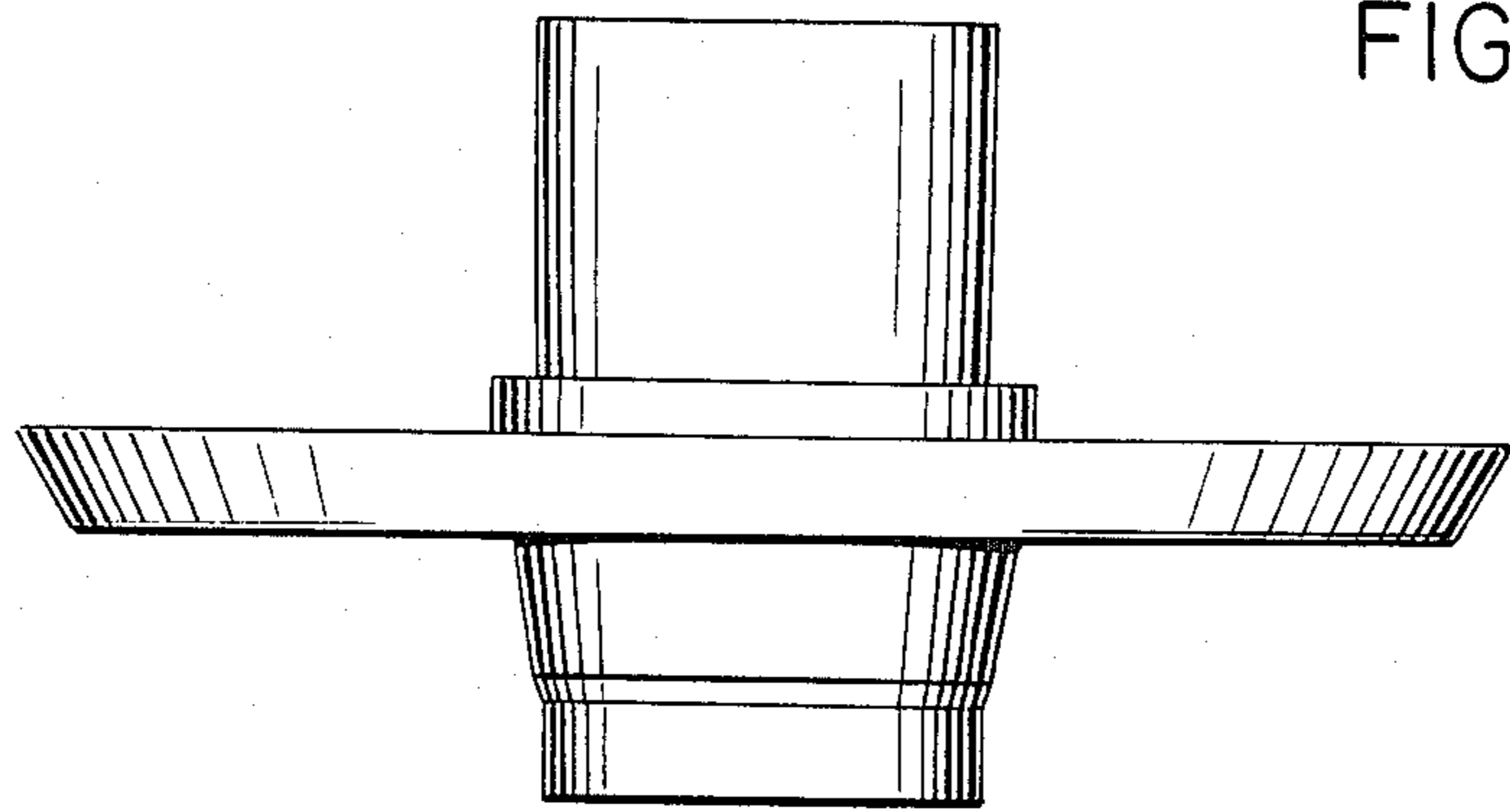
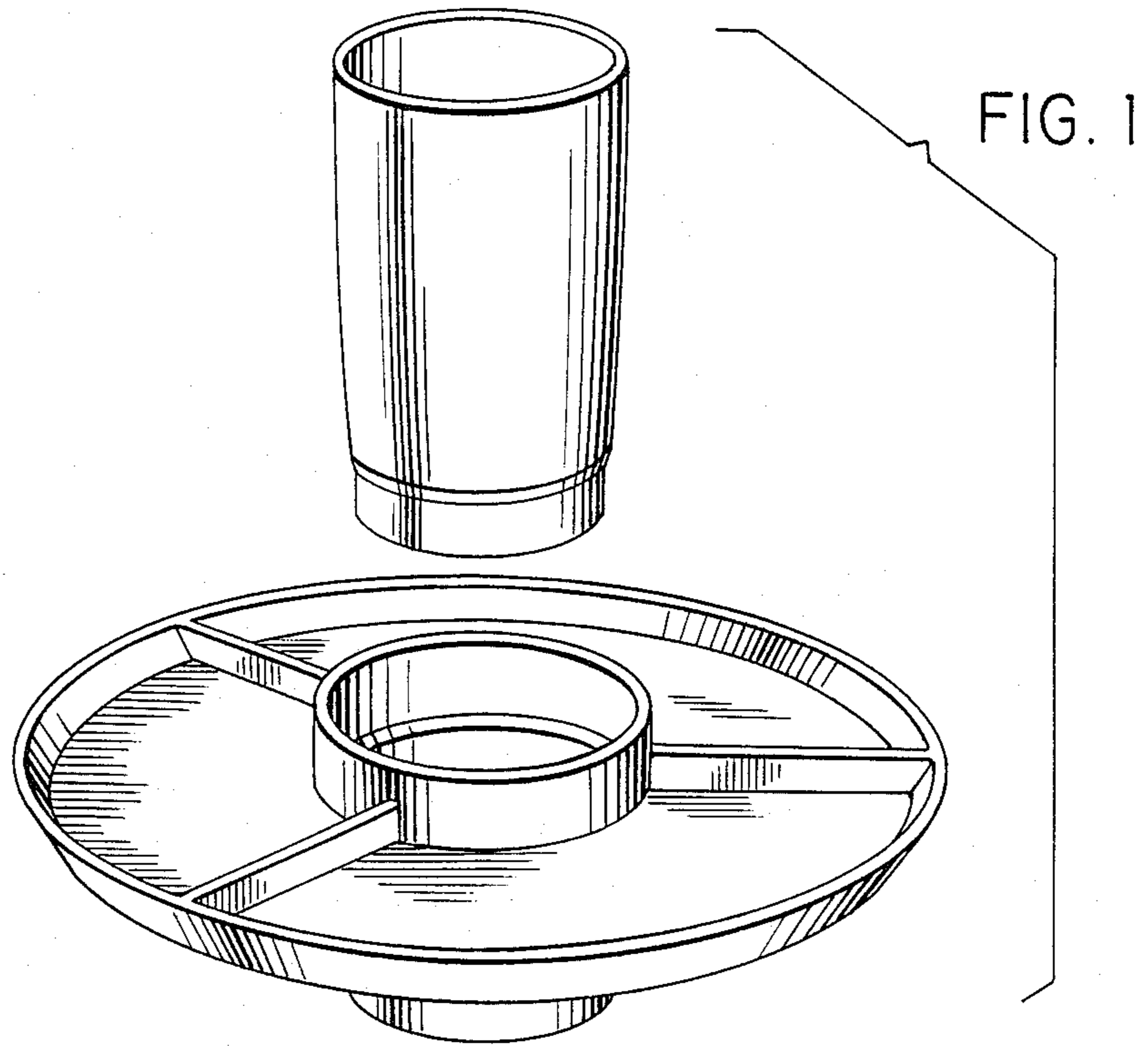
[57] CLAIM

The ornamental design for a combined snack tray, beverage cup, and cup holder, as shown and described.

DESCRIPTION

FIG. 1 is an exploded top perspective view of a combined snack tray, beverage cup, and cup holder showing our new design, it being understood that the sides not shown are similar to the side shown; FIG. 2 is a side elevational view thereof; FIG. 3 is another side elevational view thereof, the cup having been omitted for convenience of illustration; FIG. 4 is a top plan view of FIG. 2; FIG. 5 is a top plan view of FIG. 3; and FIG. 6 is a bottom plan view thereof.





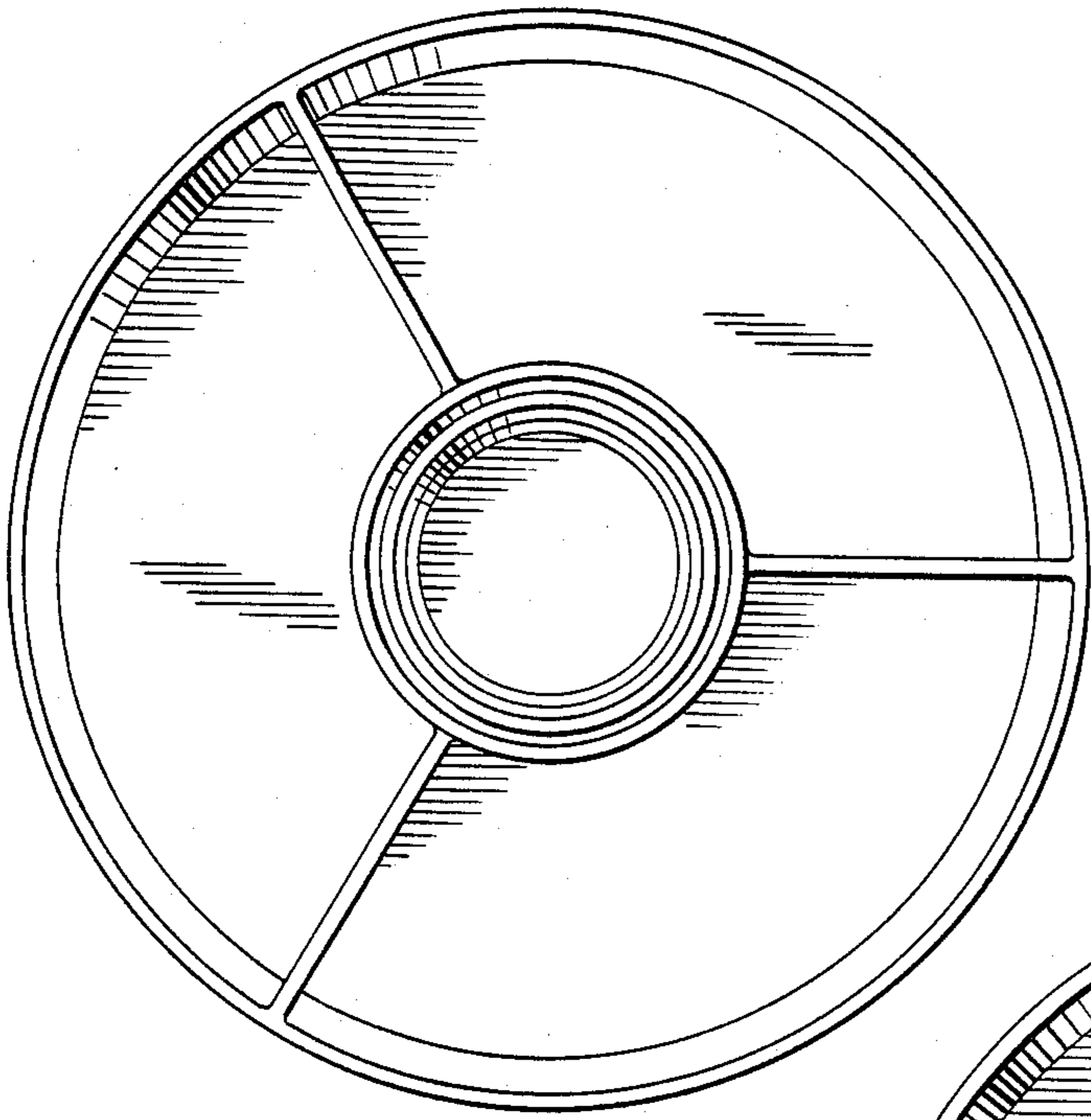


FIG. 4

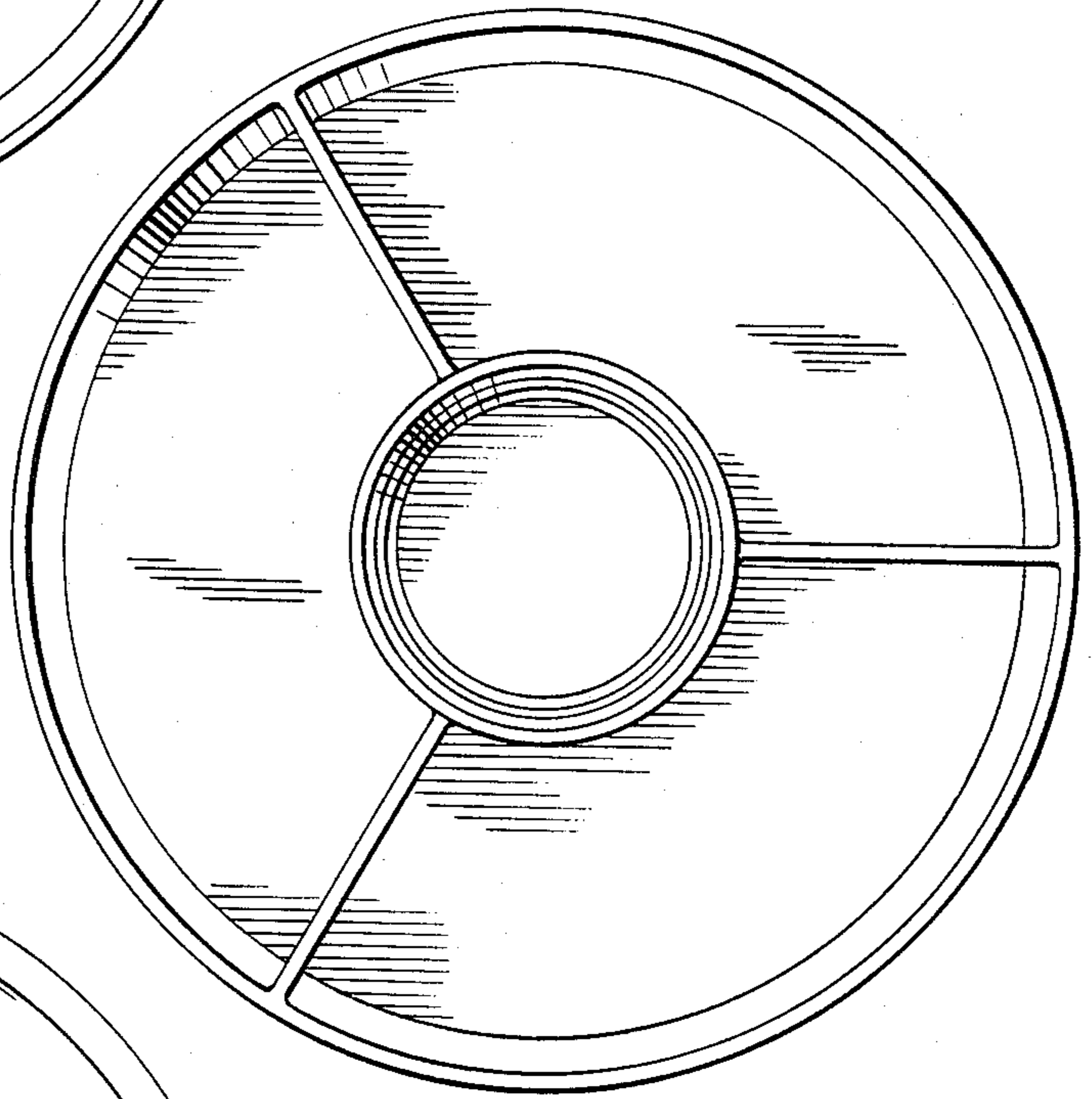


FIG. 5

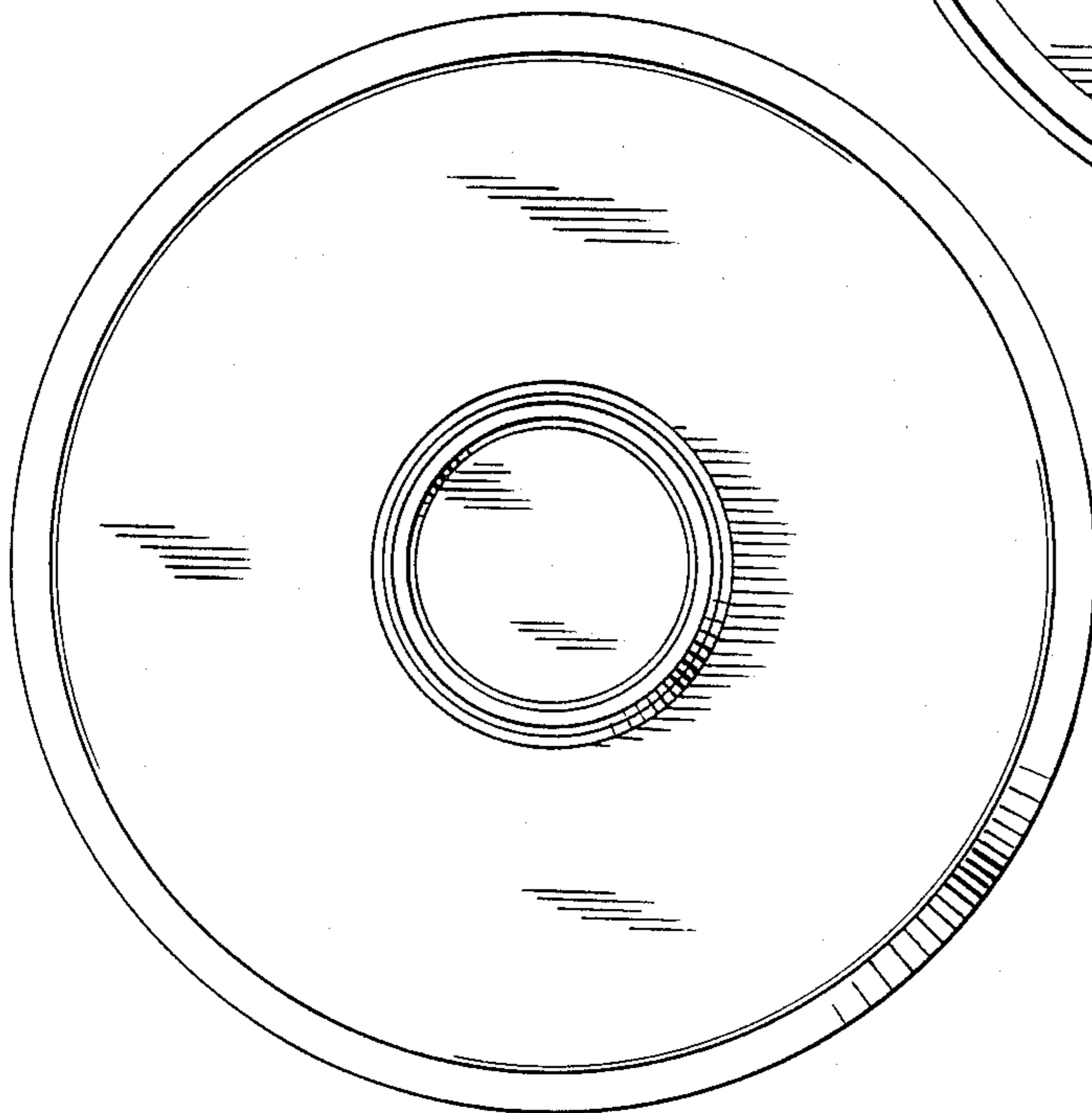


FIG. 6