

[54] JEWELRY STORAGE UNIT

[75] Inventor: Beverly Rimer, West Hills, Calif.  
91436

[73] Assignee: Denah Michelle Inc., Encino, Calif.

[\*\*] Term: 14 Years

[21] Appl. No.: 70,871

[22] Filed: Jul. 7, 1987

[52] U.S. Cl. .... D6/569

[58] Field of Search ..... D6/512, 553, 555, 567,  
D6/569-570, 573-574; 312/100-102, 114, 117,  
126, 227, 233, 242, 245; 211/10, 13, 30, 32,  
35-36

D. 266,384 10/1982 Lundin ..... D6/553  
4,155,465 5/1979 Banblitz ..... 211/86 X  
4,681,380 7/1987 Carlin ..... 312/242

OTHER PUBLICATIONS

Engineered Plastics, Inc. Catalogue (1981), p. 8, No. 2602 Shelving Unit.

Primary Examiner—Wallace R. Burke

Assistant Examiner—Brian N. Vinson

Attorney, Agent, or Firm—Poms, Smith, Lande & Rose

[57] CLAIM

The ornamental design for a jewelry storage unit, as shown.

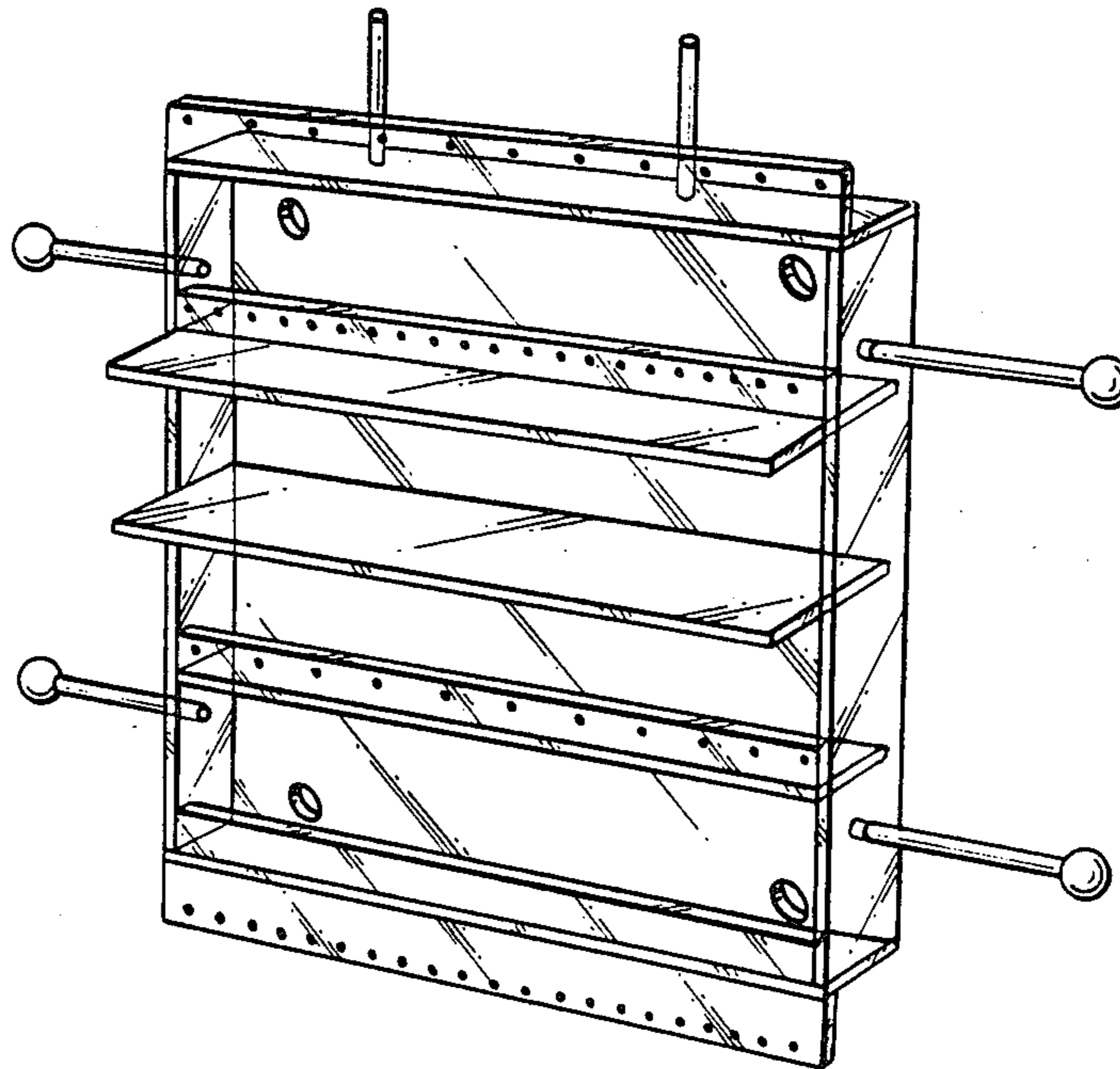
DESCRIPTION

FIG. 1 is a front, top and right side perspective view of a jewelry storage unit showing my new design; and FIG. 2 is a bottom rear and left side perspective view thereof.

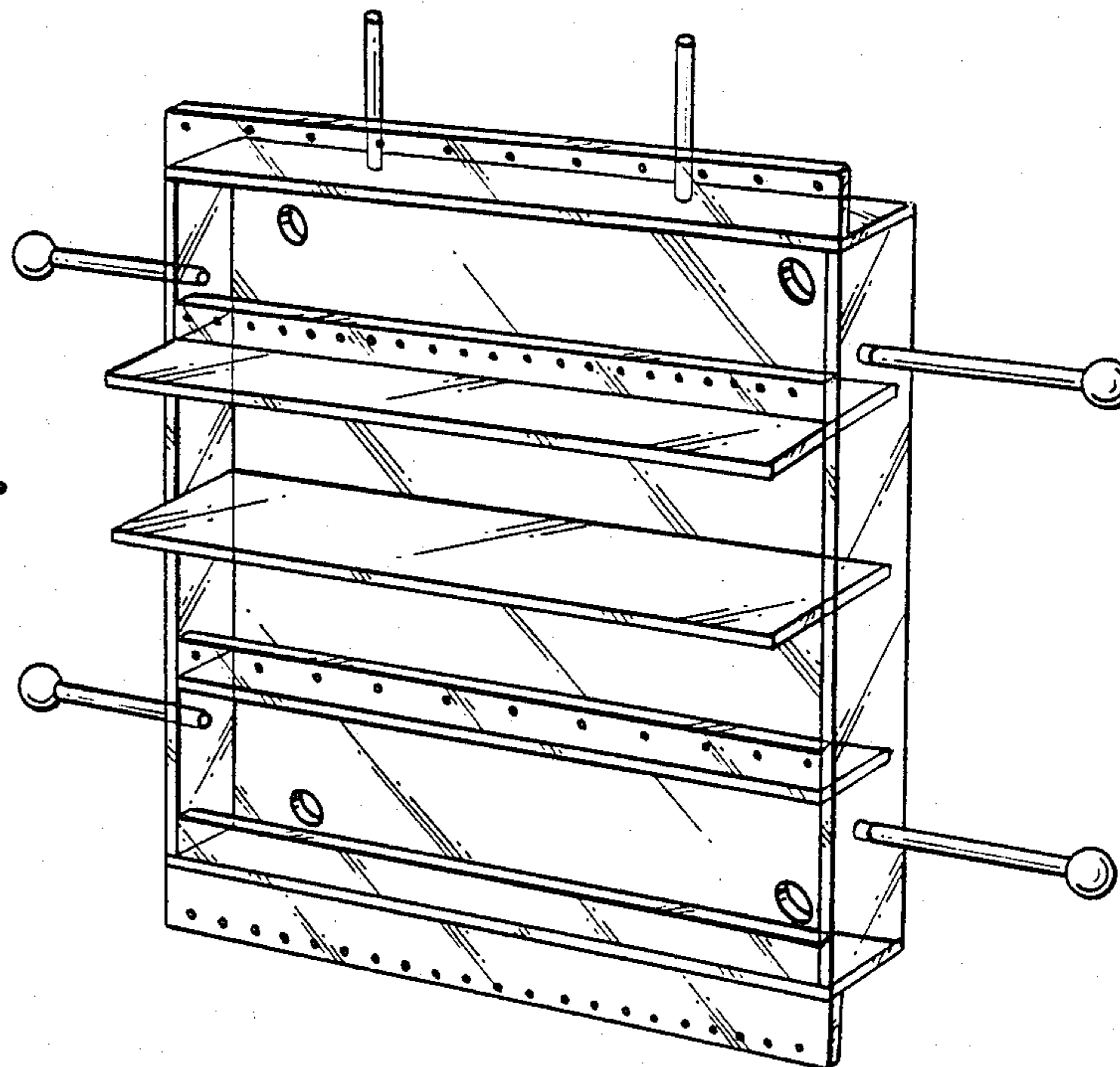
[56] References Cited

U.S. PATENT DOCUMENTS

D. 239,231 3/1976 Cockcroft ..... D6/407  
D. 247,761 4/1978 Albert ..... D6/574 X



*Fig. 1.*



*Fig. 2.*

