

[54] FISHING ROD HOLDER

[76] Inventor: Earl M. Bogar, III, P.O. Box 3514, Houston, Tex. 77253

[**] Term: 14 Years

[21] Appl. No.: 19,143

[22] Filed: Feb. 25, 1987

[52] U.S. Cl. D6/552

[58] Field of Search D6/512, 552, 553, 567, D6/572; D8/380; 211/7, 13, 60.1, 64-65, 68, 70.8, 89

[56] References Cited

U.S. PATENT DOCUMENTS

D. 190,429	5/1961	Hoagland	D6/552
D. 223,259	4/1972	Stahl	D6/552
D. 272,785	2/1984	Rumbaugh	D6/552
3,731,817	5/1973	Fowlkes et al.	211/60.1

Primary Examiner—Wallace R. Burke

Assistant Examiner—Brian N. Vinson
Attorney, Agent, or Firm—Fulbright & Jaworski

[57] CLAIM

The ornamental design for a fishing rod holder, as shown and described.

DESCRIPTION

FIG. 1 is a perspective view of a fishing rod holder showing my new design, the broken-line showing of the fishing rod and of the second holder in a closed position being for illustrative purposes only and forming no part of the claimed design;

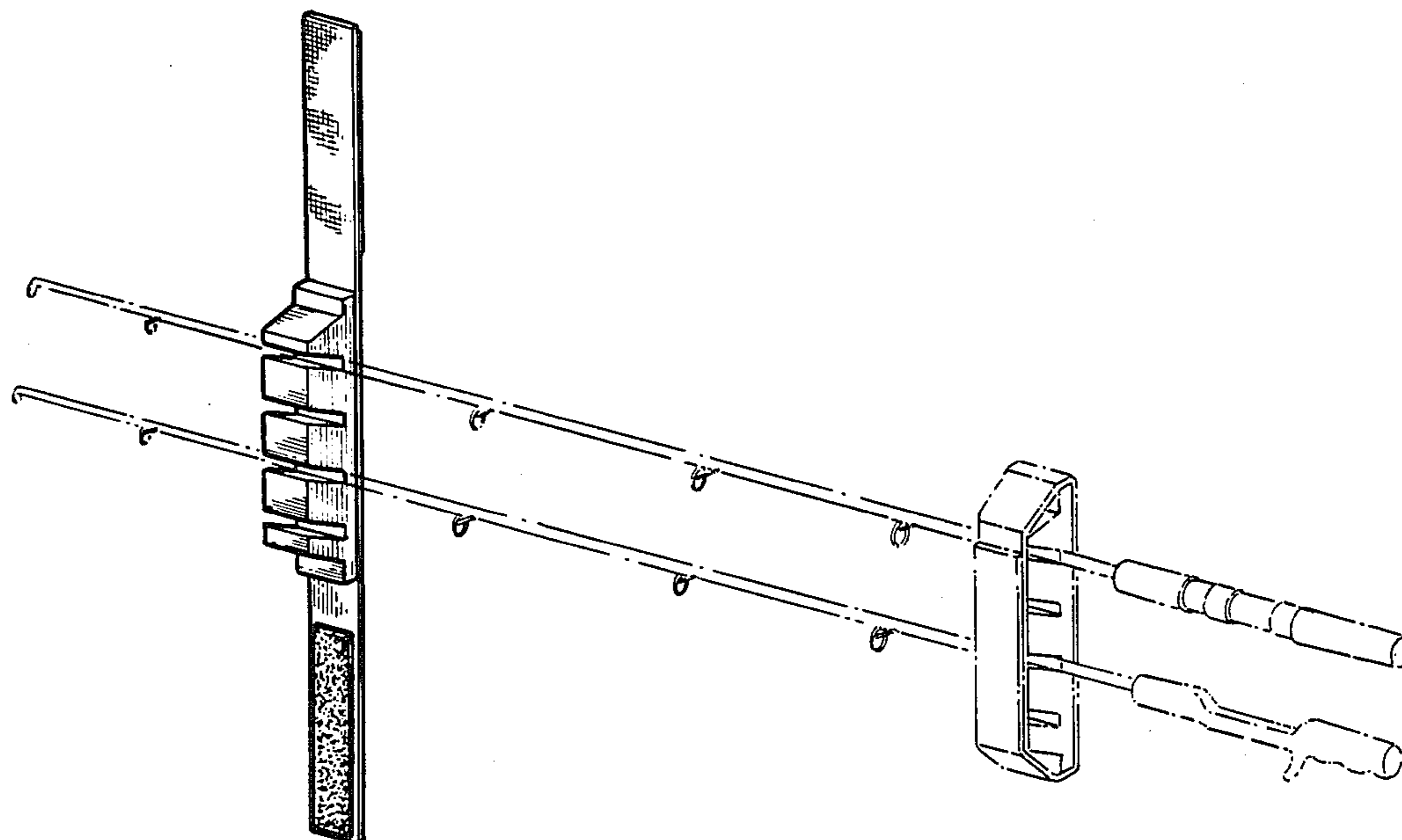
FIG. 2 is a front elevational view thereof;

FIG. 3 is a right side elevational view thereof;

FIG. 4 is a left side elevational view thereof;

FIG. 5 is a rear elevational view thereof; and

FIG. 6 is a top plan view thereof, the bottom being substantially a mirror image of that shown. The strap elements in FIGS. 2-5 are shown broken-away for ease of illustration.



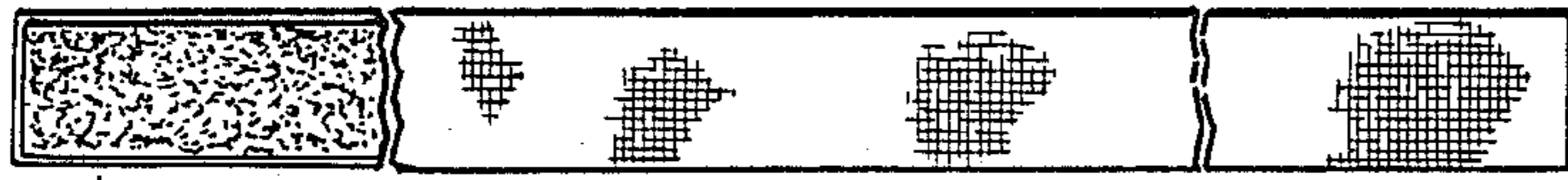


Fig. 5



Fig. 4



Fig. 2



Fig. 1

Fig. 6



Fig. 3

