

[54] ENDOSCOPIC SUPPORT STAND

[76] Inventor: C. Bruce Schwartz, 3026 E. 2nd St., The Dalles, Oreg. 97058

[**] Term: 14 Years

[21] Appl. No.: 231,545

[22] Filed: Aug. 12, 1988

Related U.S. Application Data

[63] Continuation-in-part of Ser. No. 872,428, Jun. 9, 1986, Pat. No. D. 298,893.

[52] U.S. Cl. D6/479; D6/419; D24/1.1

[58] Field of Search D24/1.1, 3, 31; D6/479, D6/419, 466; 312/209, 249, 250, 251; 433/108, 109

[56] References Cited

U.S. PATENT DOCUMENTS

- D. 246,186 10/1977 Rorabaugh D24/1.1
- D. 274,964 8/1964 Gidia D24/31 X
- D. 298,893 12/1988 Schwartz D24/1.1
- 3,348,799 10/1967 Junkel et al. .
- 3,597,033 8/1971 Slouka .

- 3,636,633 1/1972 Fuller et al. 433/108 X
- 4,138,815 2/1979 Williams et al. .
- 4,518,208 5/1985 Marder 312/209
- 4,572,594 2/1986 Schwartz .
- 4,607,897 8/1986 Schwartz .

FOREIGN PATENT DOCUMENTS

422256 6/1979 Switzerland .

Primary Examiner—Wallace R. Burke
Assistant Examiner—Stella M. Reid
Attorney, Agent, or Firm—Marger & Johnson

[57] CLAIM

The ornamental design for an endoscopic support stand, as shown and described.

DESCRIPTION

FIG. 1 is a front-right perspective view of an endoscopic support stand, showing my new design; FIG. 2 is a top plan view showing the monitor tray in retracted position; FIG. 3 is a front elevational view thereof; FIG. 4 is a bottom plan view thereof; FIG. 5 is a left side elevational view thereof; FIG. 6 is a right side, elevational view thereof, and FIG. 7 is a rear elevational view thereof.

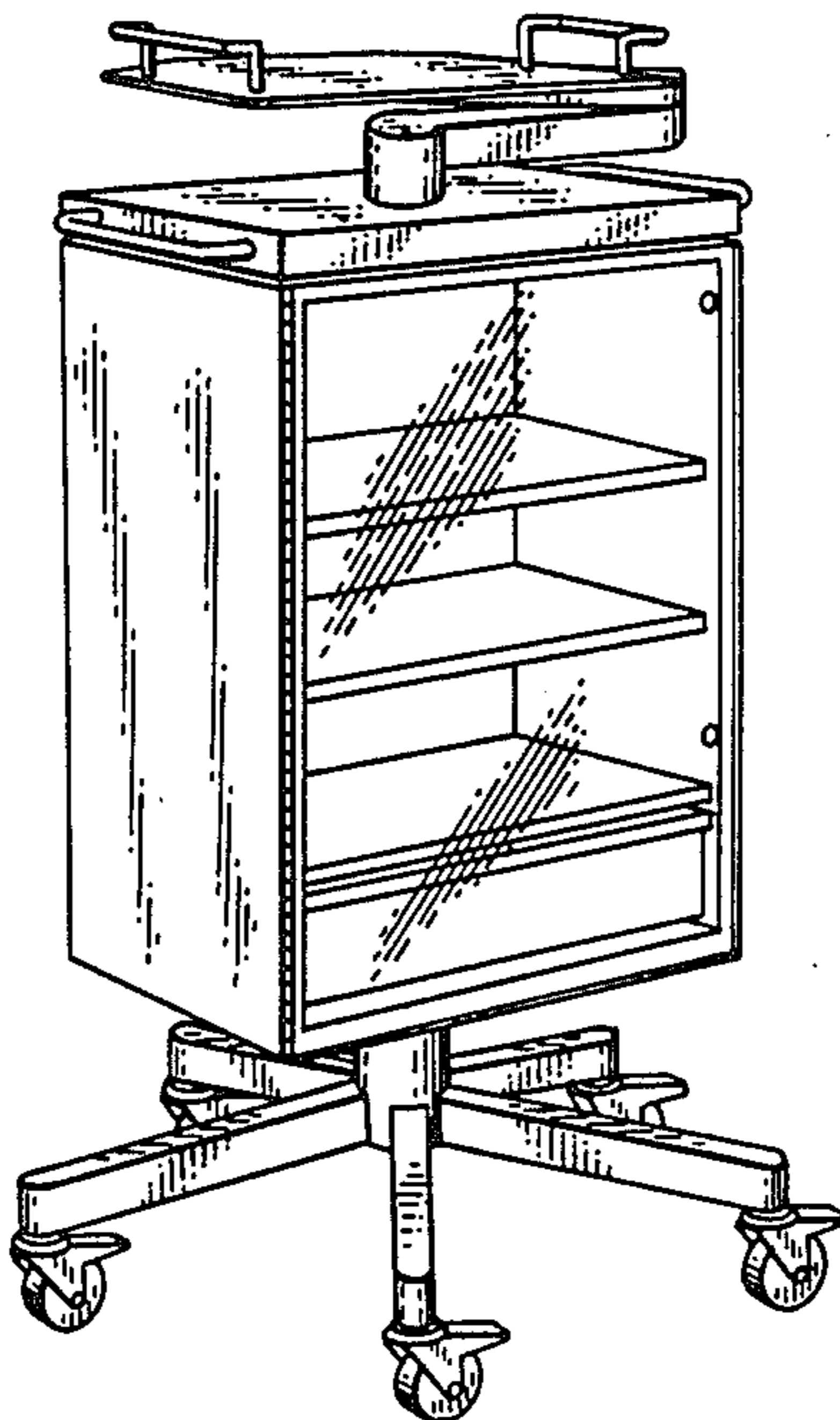


FIG. 1

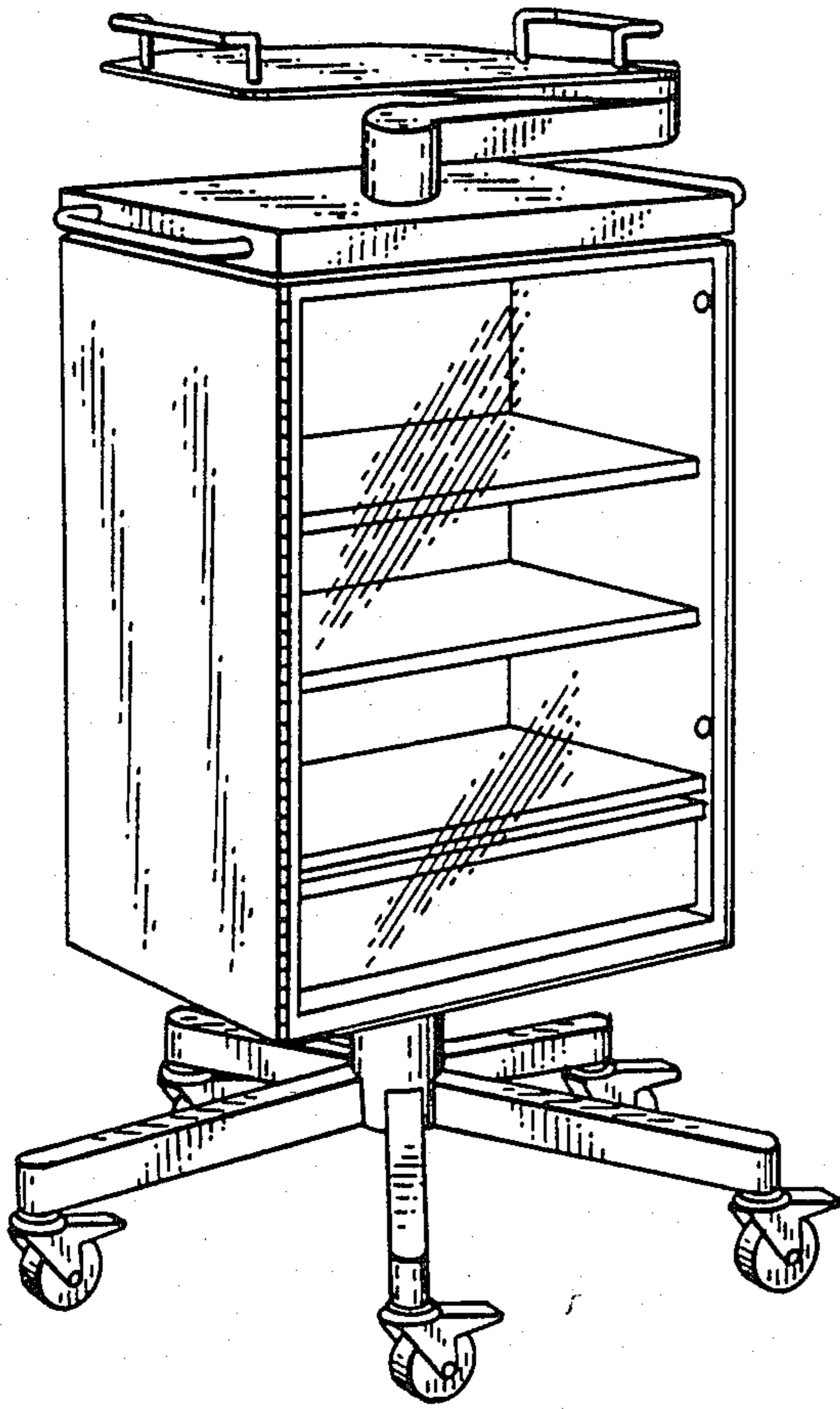


FIG. 2

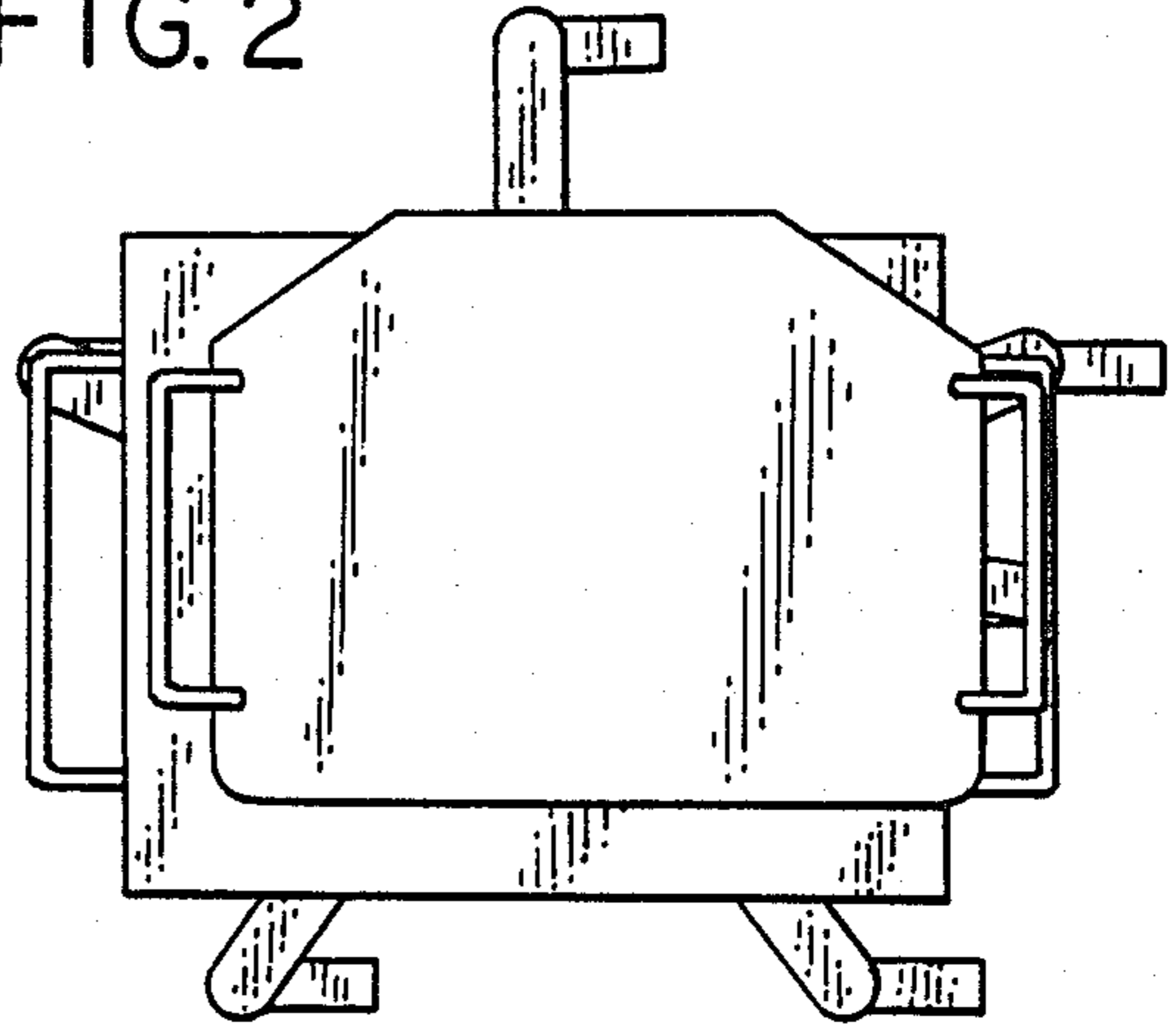


FIG. 3

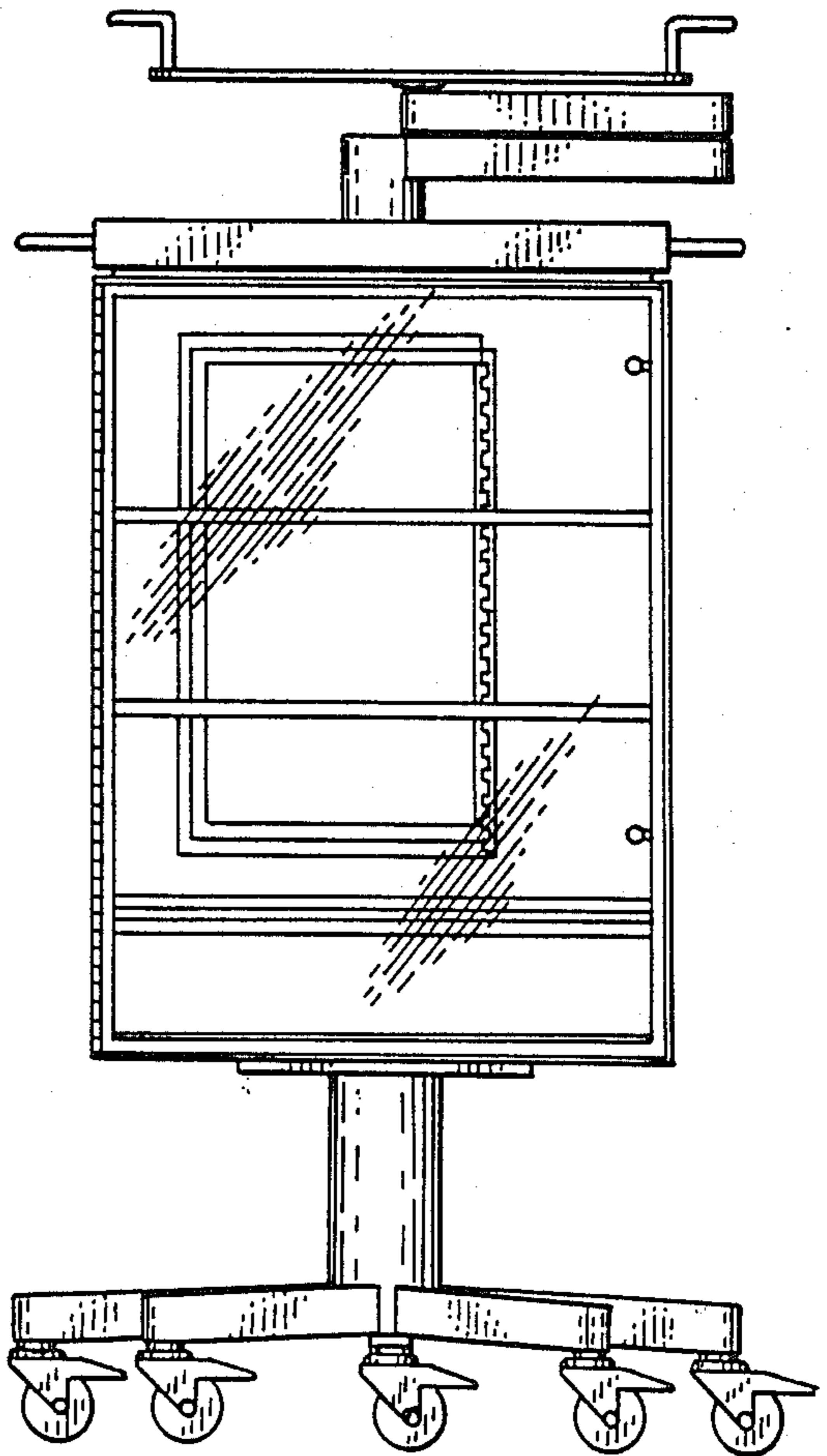


FIG. 4

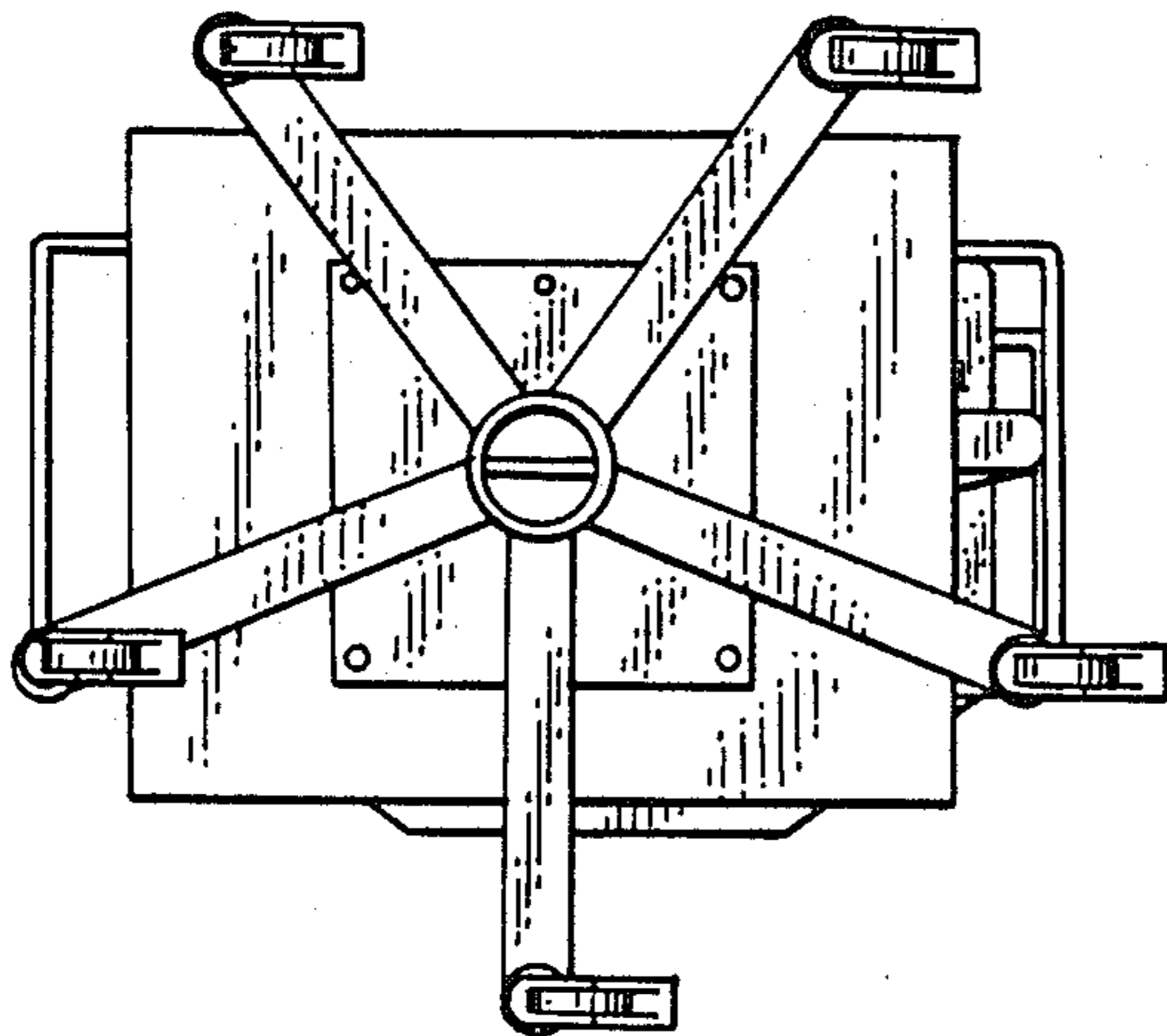


FIG. 5

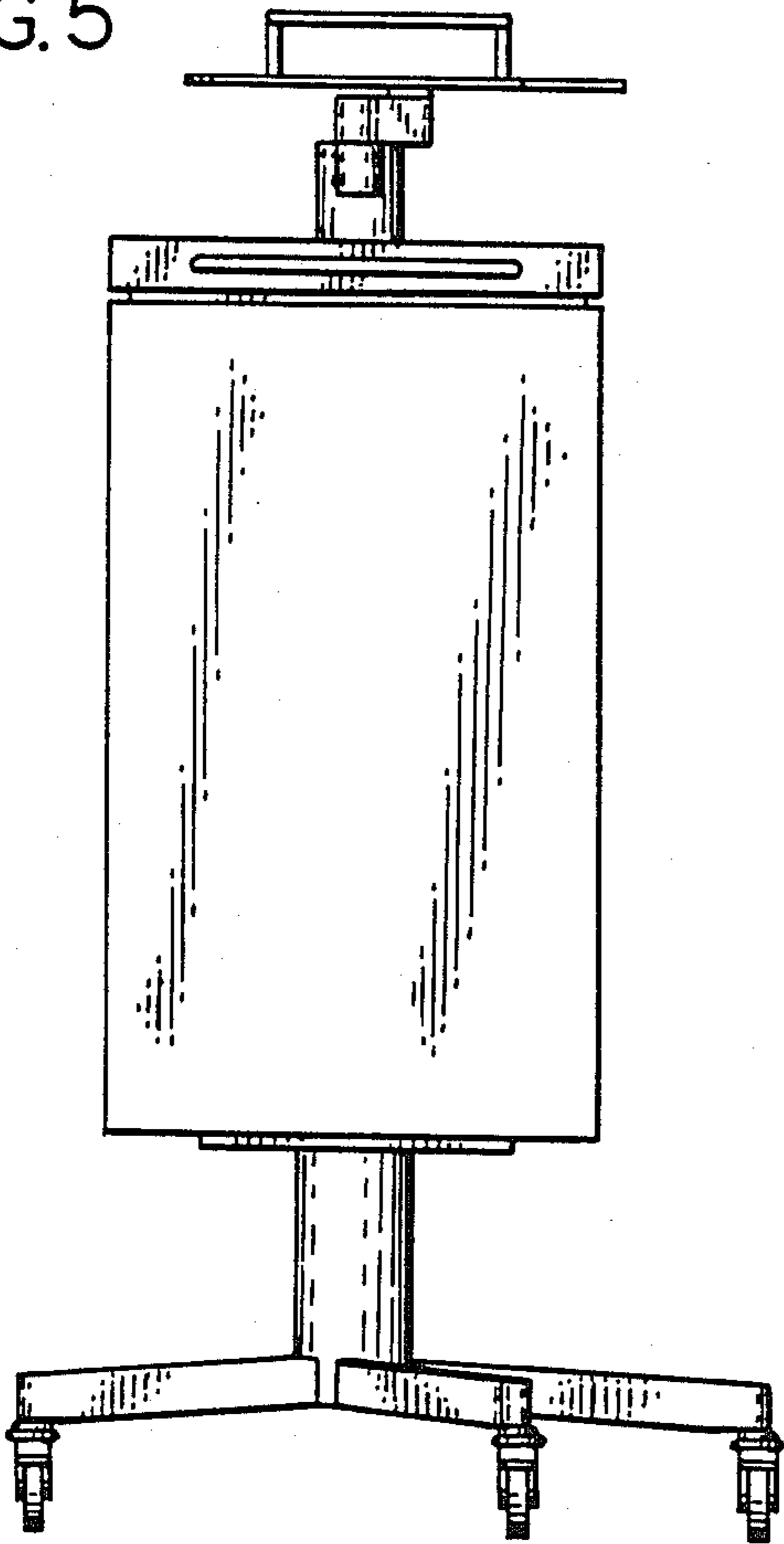


FIG. 6

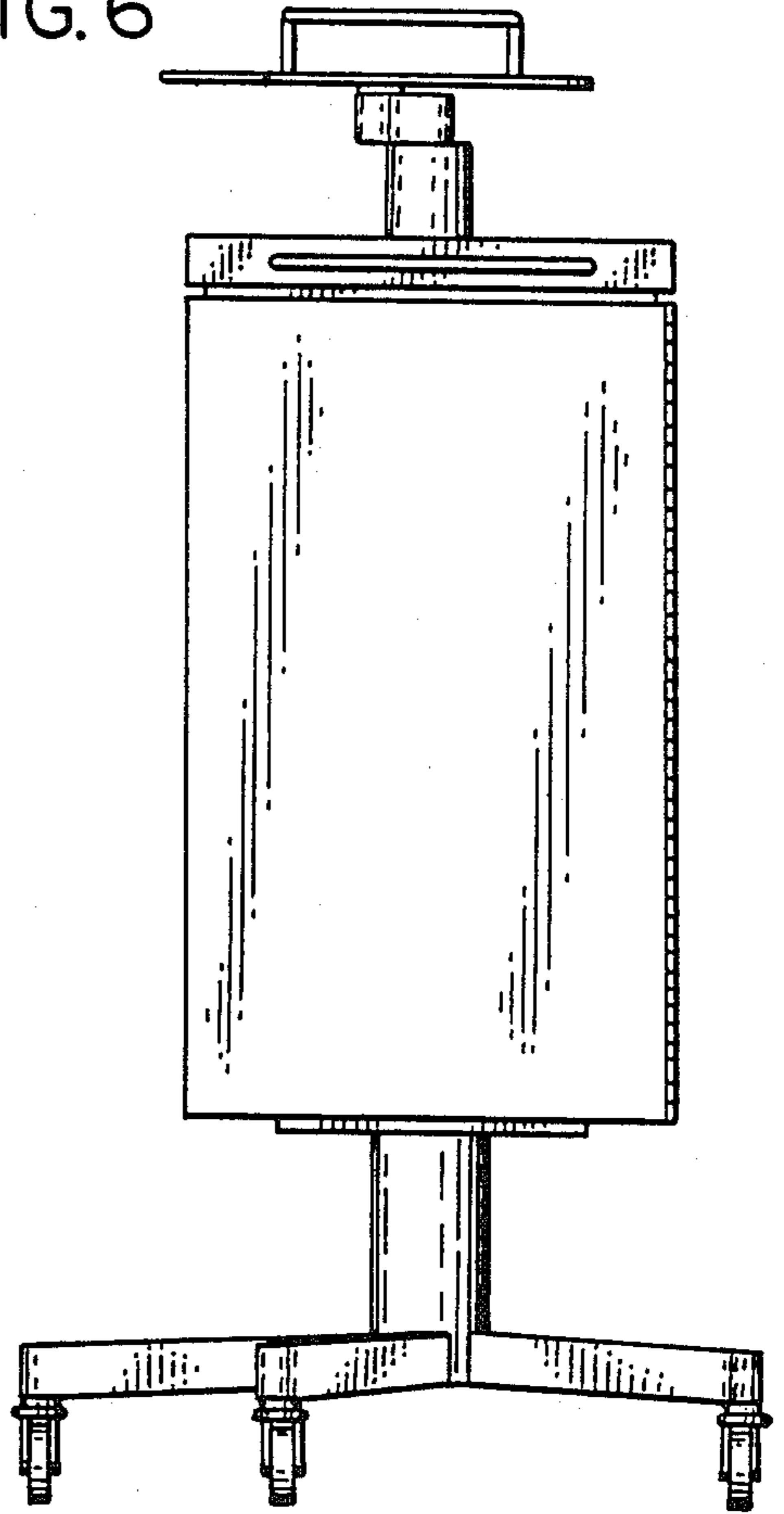


FIG. 7

