

[54] CUP PROTECTOR ATTACHMENT TO A CABINET

D. 293,493 12/1987 Garr ..... D6/449  
1,540,677 6/1925 Balmer ..... D6/511 X

[75] Inventor: J. Marshall Suttles, Elberton, Ga.

[73] Assignee: Royston Corporation, Royston, Ga.

[\*\*] Term: 14 Years

[21] Appl. No.: 871,766

[22] Filed: Jun. 9, 1986

[52] U.S. Cl. .... D6/491; D6/511

[58] Field of Search ..... D6/491, 509, 511, 406;  
211/13; 312/114, 279, 257

[56] References Cited

U.S. PATENT DOCUMENTS

D. 200,831 4/1965 Nathans ..... D6/509

OTHER PUBLICATIONS

"The Plastic Showcase", 9/1985; Shelf Item #8C on page, (Des. GP.).

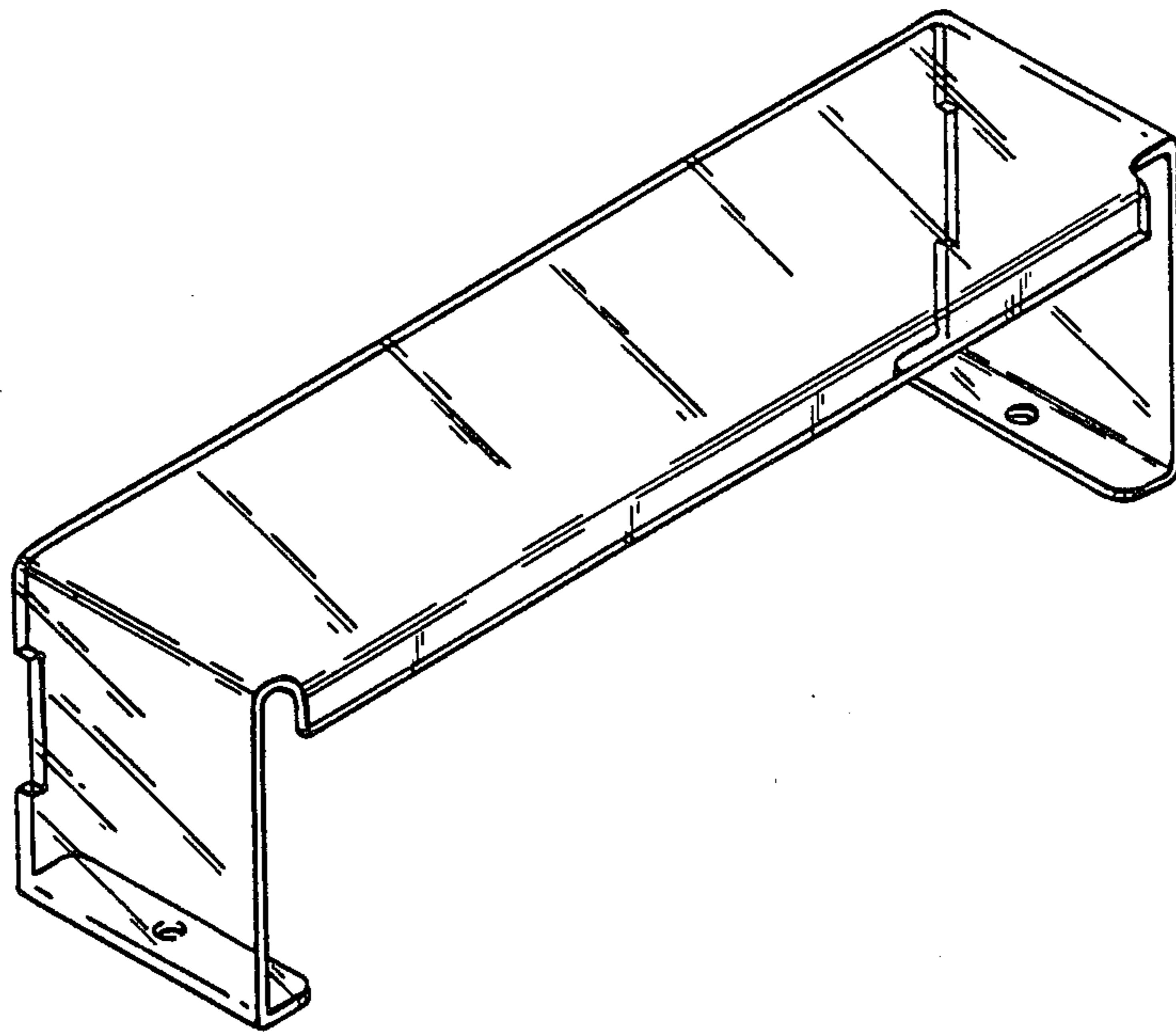
Primary Examiner—Carmen H. Vales-Lado  
Attorney, Agent, or Firm—Howson & Howson

[57] CLAIM

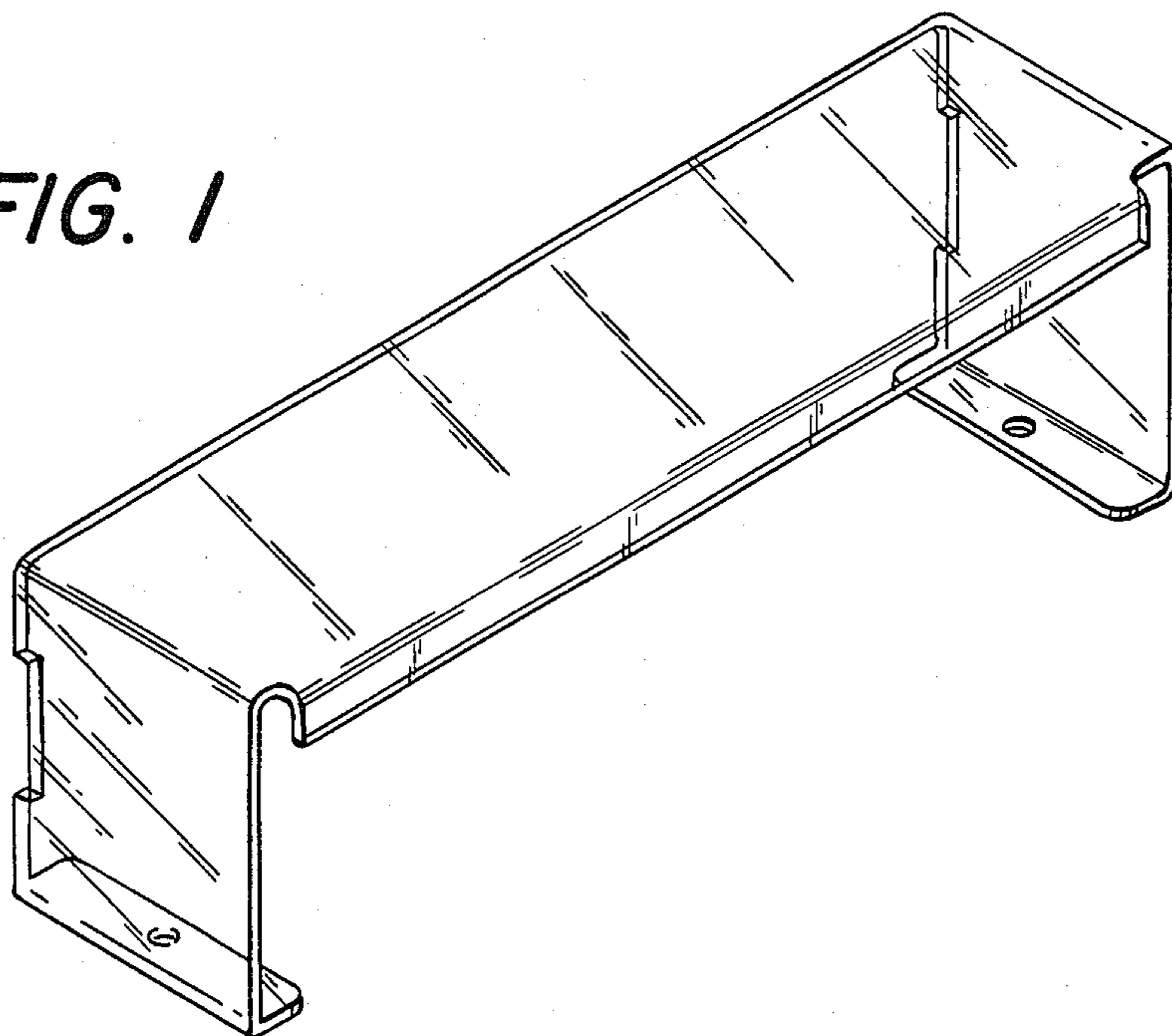
The ornamental design for a cup protector attachment to a cabinet, as shown and described.

DESCRIPTION

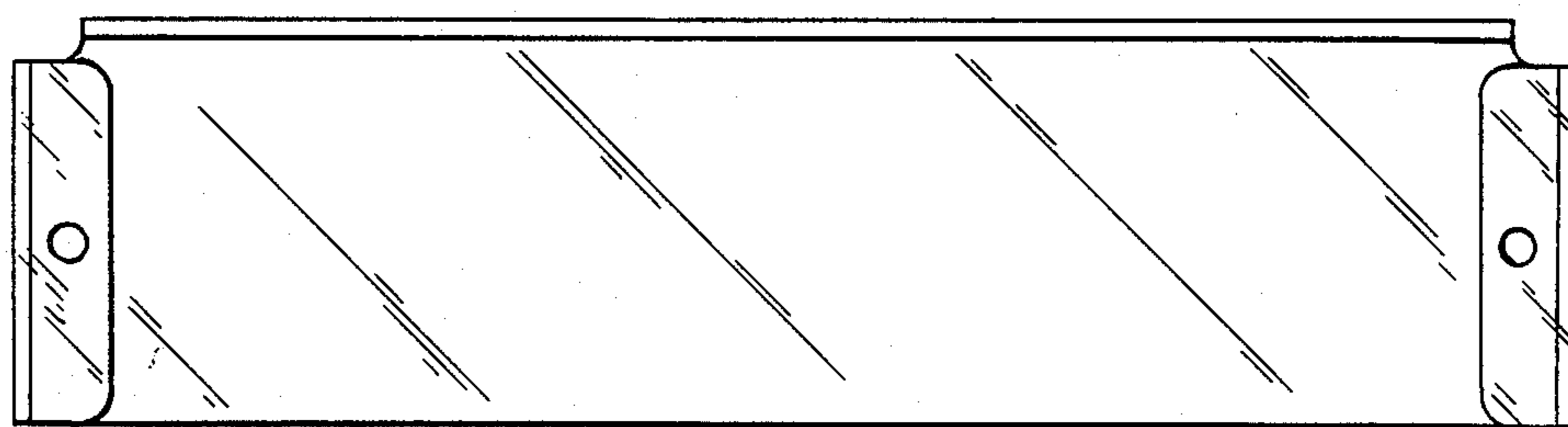
FIG. 1 is a perspective view of a cup protector attachment to a cabinet showing my new design; FIG. 2 is a bottom plan view thereof; and FIG. 3 is a rear elevational view thereof.



*FIG. 1*



*FIG. 2*



*FIG. 3*

