

[54] DESK

[76] Inventor: Jens Risom, 103 Chichester, New Canaan, Conn. 06840

[**] Term: 14 Years

[21] Appl. No.: 927,415

[22] Filed: Nov. 5, 1986

[52] U.S. Cl. D6/426; D6/397; D6/421

[58] Field of Search D6/397, 421, 422, 423, D6/424, 425, 426, 427, 428, 470, 471, 474; 312/194, 195, 196; 108/59, 60, 94, 96

[56] References Cited

U.S. PATENT DOCUMENTS

- D. 110,907 8/1938 Patz D6/428
- D. 114,203 4/1939 Wright D6/426
- D. 169,008 3/1953 Lindstrom D6/421

- D. 227,328 6/1973 San Viovanni D6/426
- D. 230,785 3/1974 Hawkins et al. D6/471
- D. 260,716 9/1981 Cohen et al. D6/474
- D. 278,108 3/1985 Lyman et al. D6/474 X
- D. 278,583 4/1985 Koguma D6/426
- D. 279,740 7/1985 Slager D6/426 X

Primary Examiner—Carmen H. Vales-Lado
Attorney, Agent, or Firm—Staas & Halsey

[57] CLAIM

The ornamental design for a desk, as shown and described.

DESCRIPTION

FIG. 1 is a front perspective view of a desk showing my new design;
 FIG. 2 is a rear perspective view thereof;
 FIG. 3 is a top plan view thereof;
 FIG. 4 is a front elevational view thereof;
 FIG. 5 is a right side elevational view thereof; and
 FIG. 6 is a rear elevational view thereof.

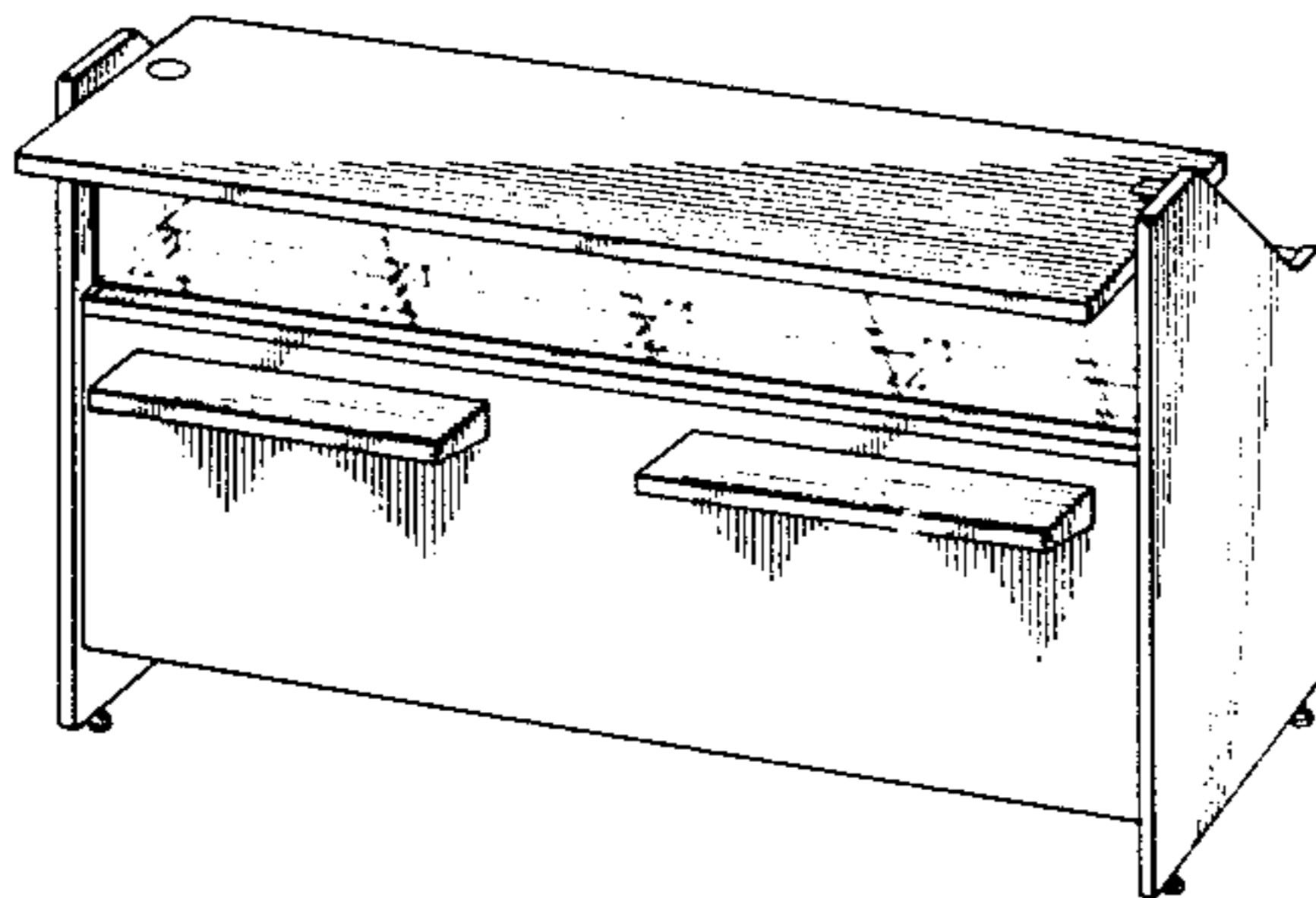
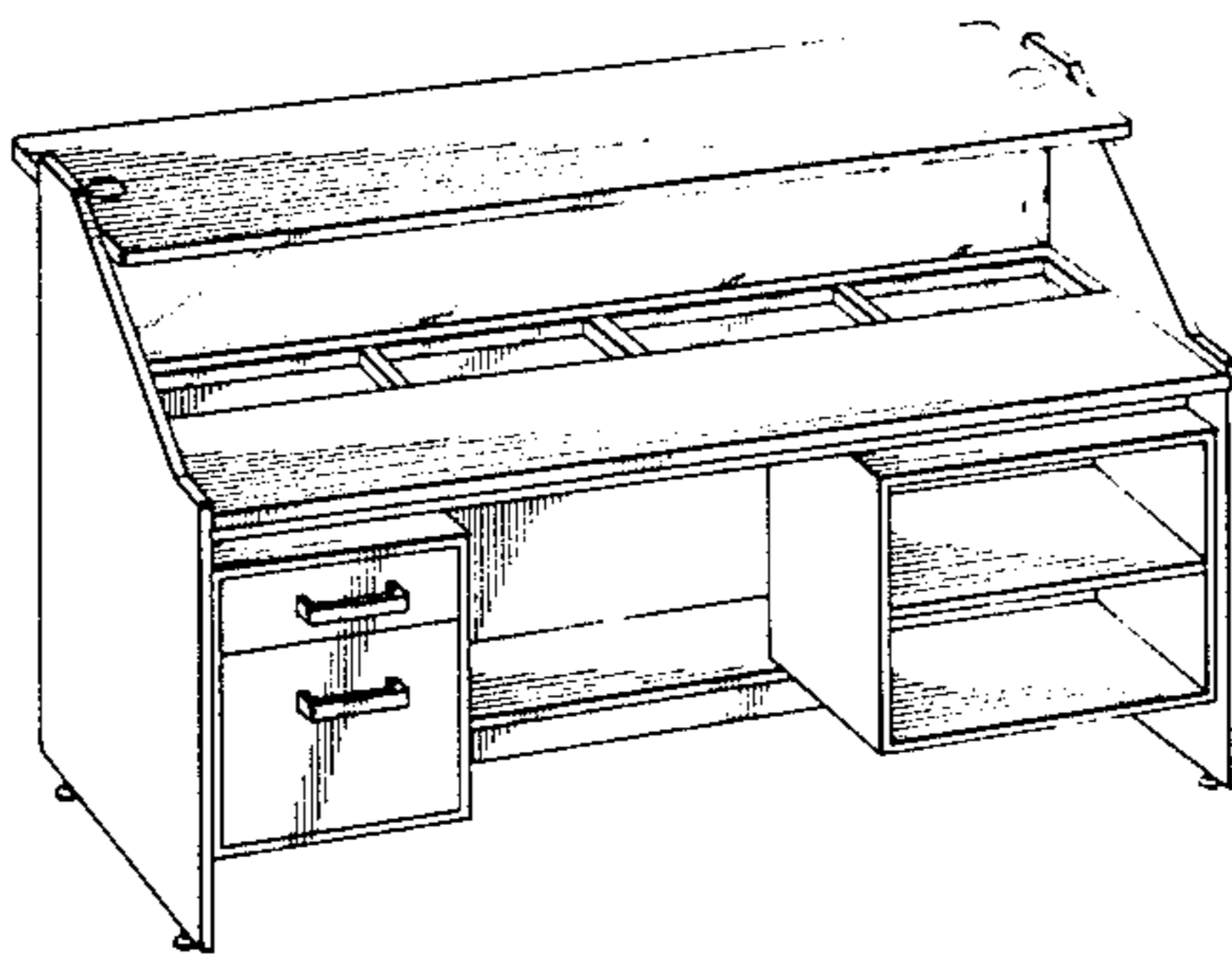


FIG. 1

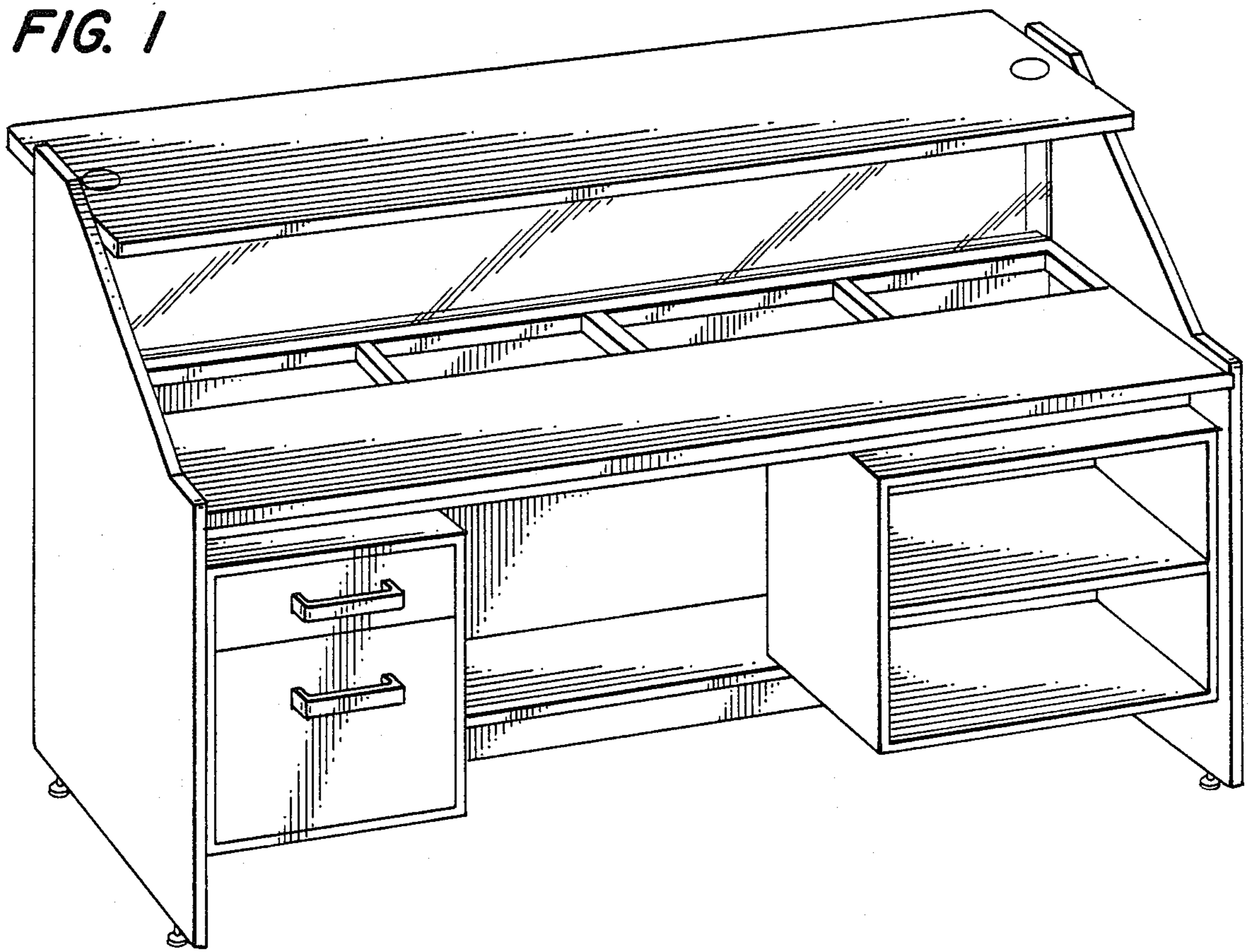


FIG. 2

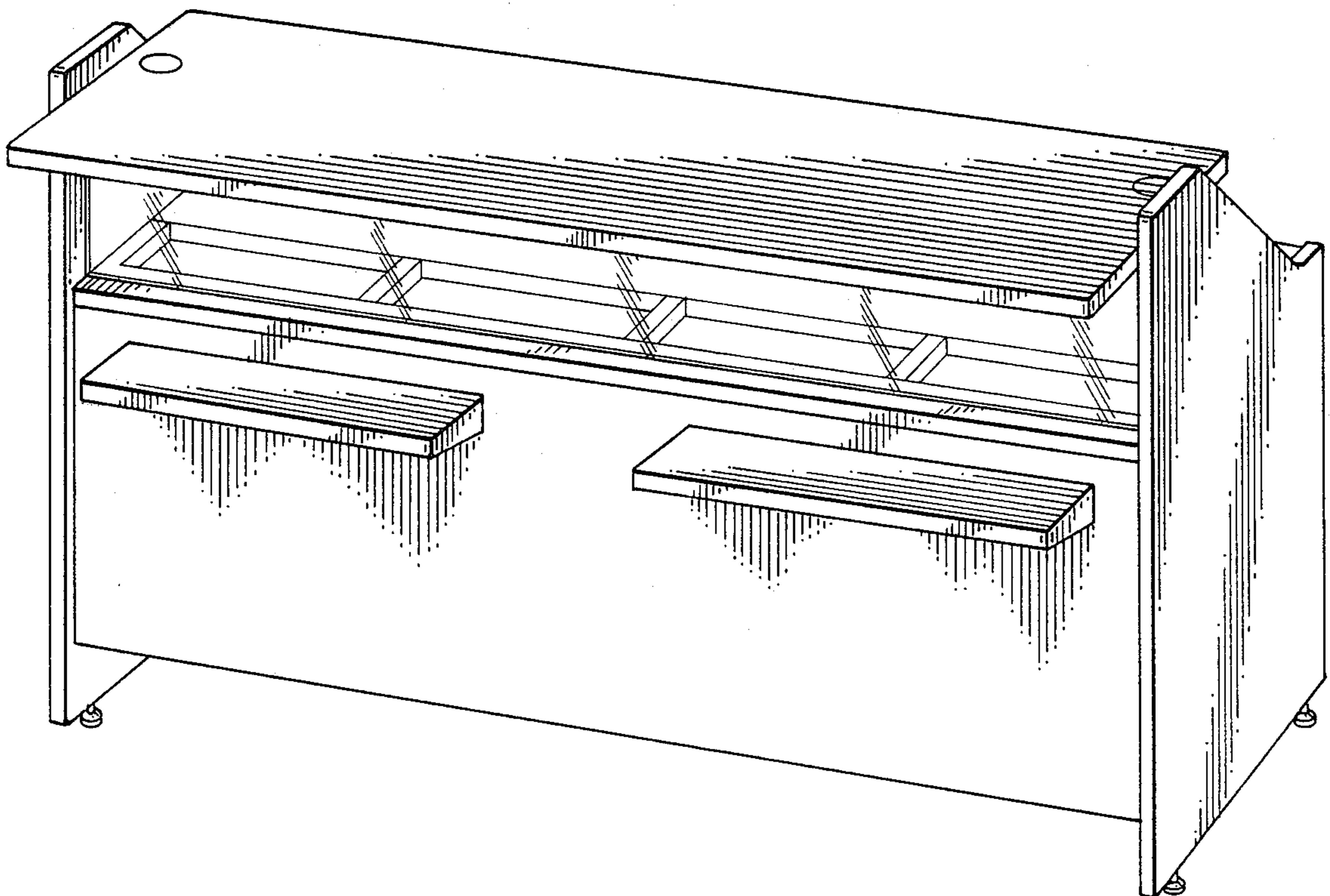


FIG. 3

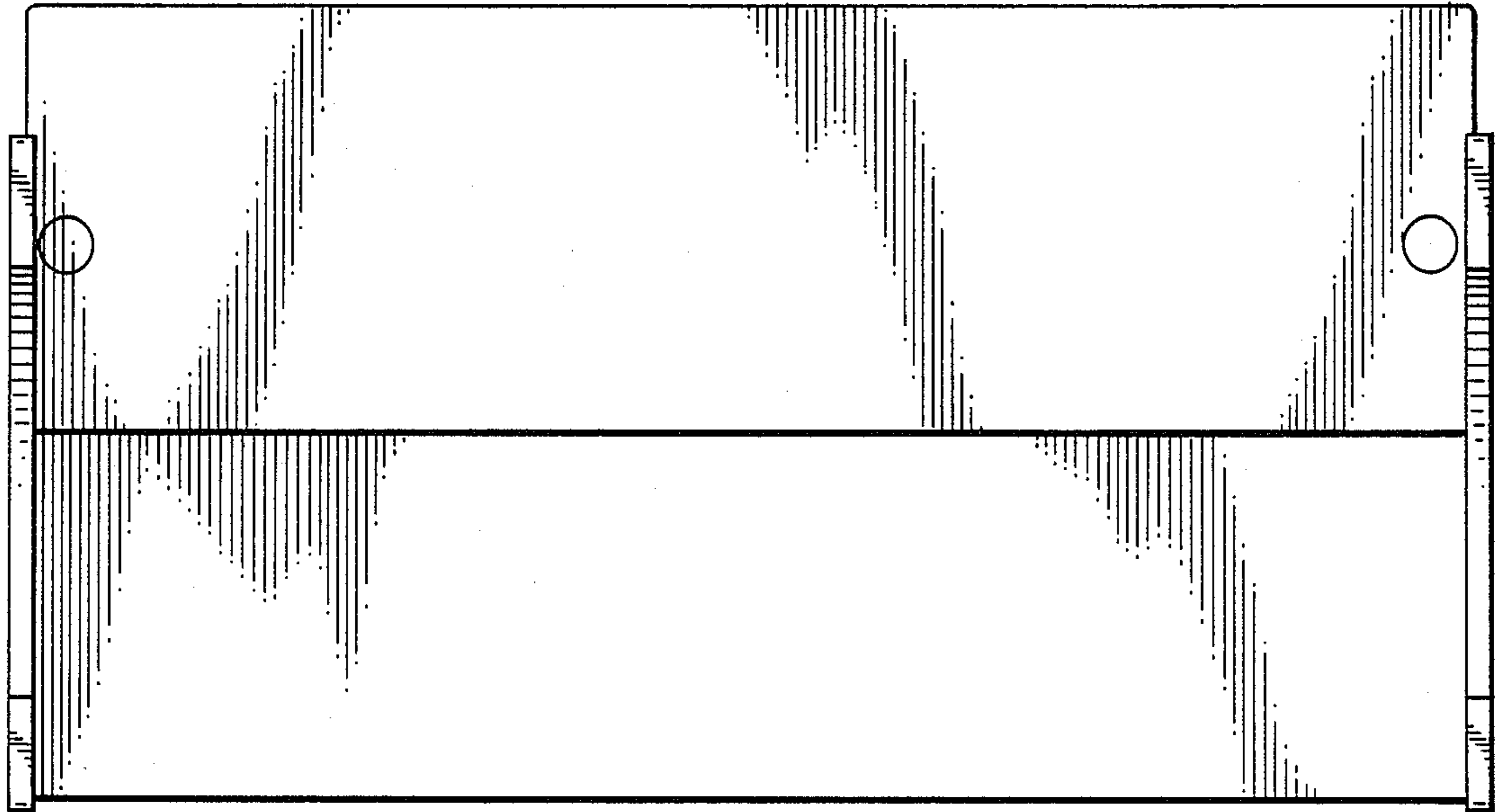


FIG. 4

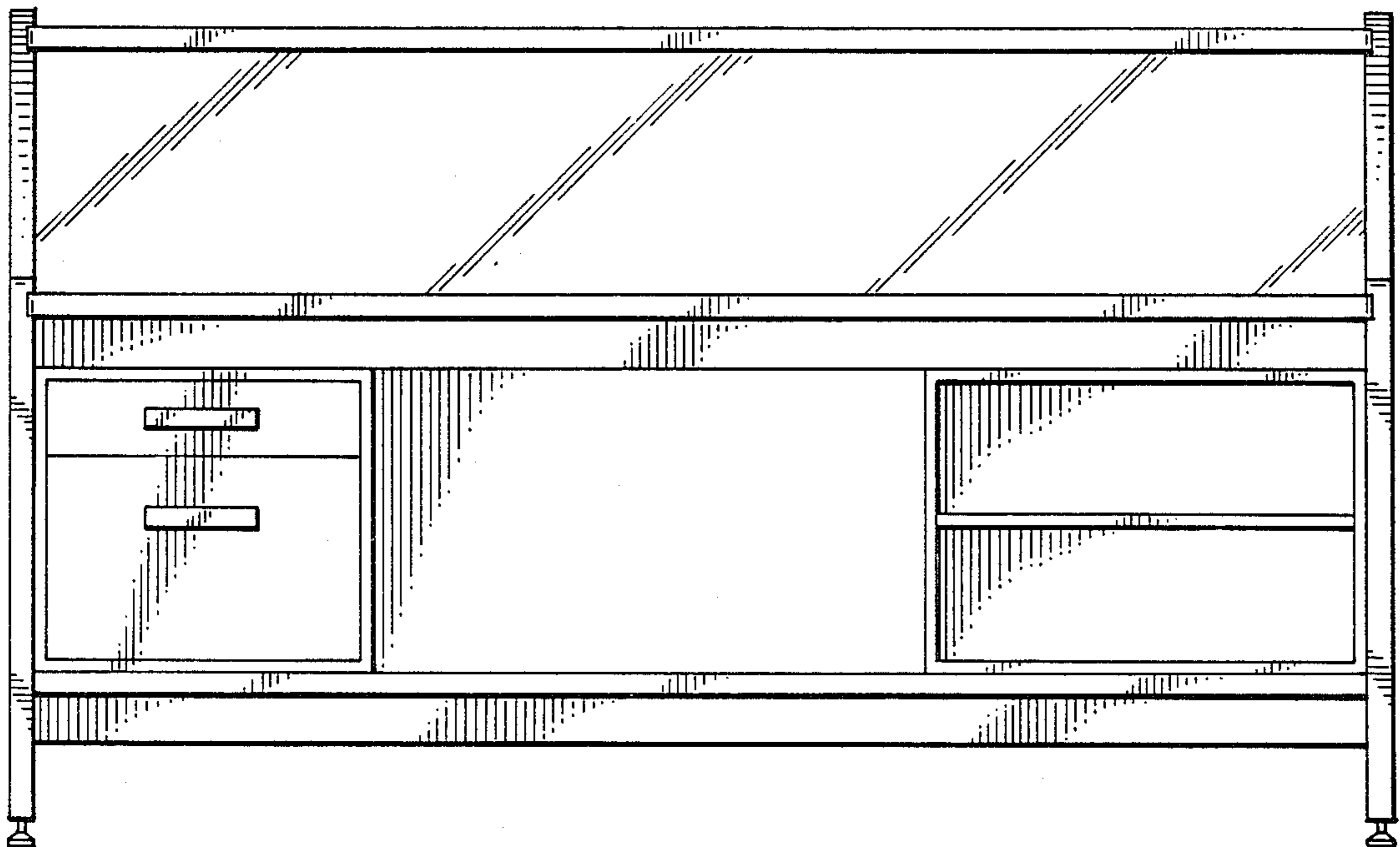


FIG. 5

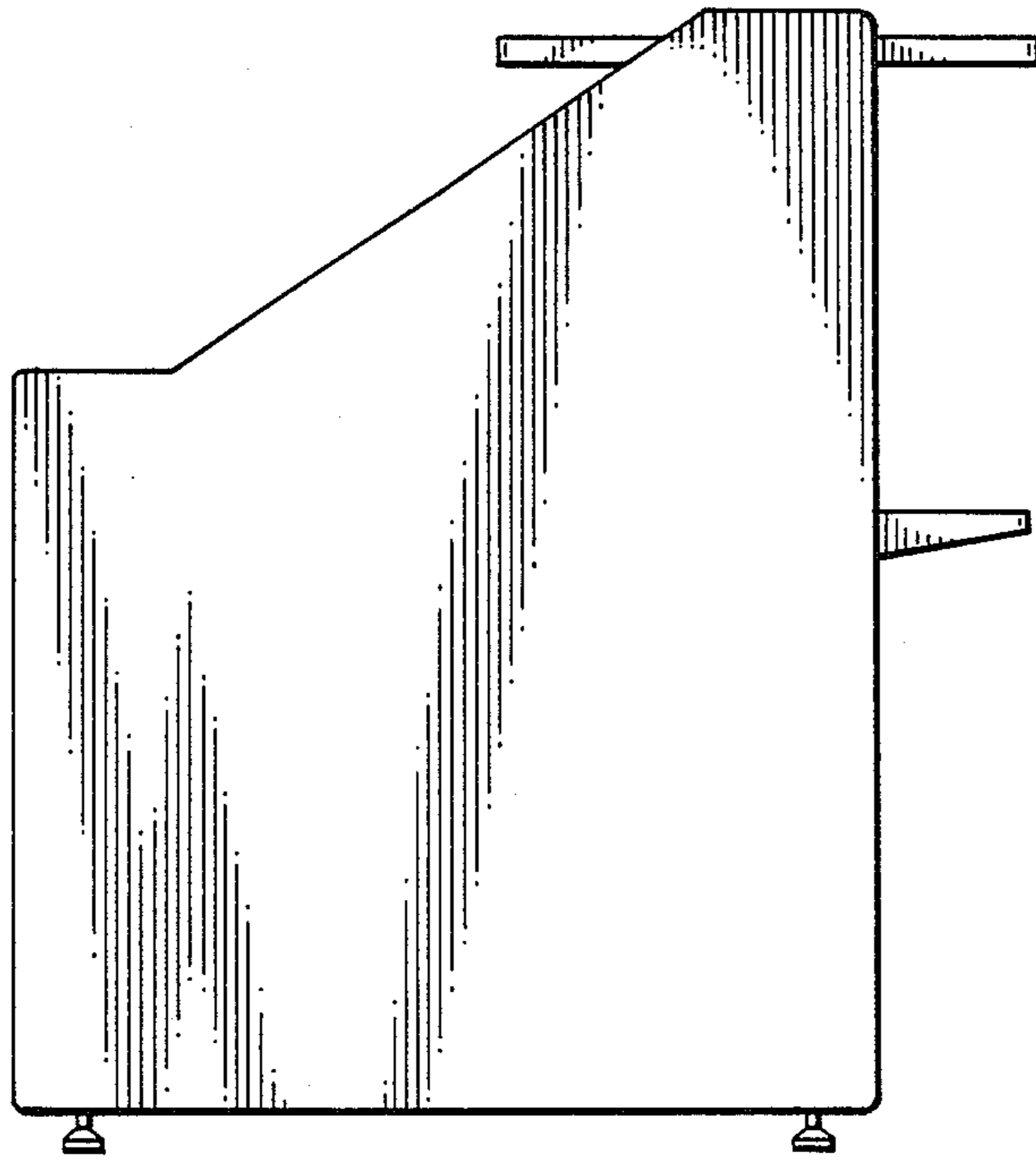


FIG. 6

