

[54] ADJUSTABLE ARTIST'S EASEL, OR SIMILAR ARTICLE

[76] Inventor: Steven A. Mickelsen, 9005 Balsa St., Rancho Cucamonga, Calif. 91730

[**] Term: 14 Years

[21] Appl. No.: 927,693

[22] Filed: Nov. 6, 1986

[52] U.S. Cl. D6/420; D6/443; D19/52

[58] Field of Search D6/419, 420, 443, 449, D6/429, 430, 431; 248/460, 459, 465; D19/52; 108/23

[56] References Cited

U.S. PATENT DOCUMENTS

D. 28,243	2/1898	Holley	D6/443
D. 127,920	6/1941	Carlson	D6/420
D. 196,974	11/1963	Korbos	D19/52

D. 213,381	2/1969	Clerico	D6/443
D. 258,967	4/1981	Rollinson	D19/52 X
D. 278,918	5/1985	Morcheles	D19/52
D. 300,150	3/1989	Ishii	D19/52
3,311,070	3/1967	Barzee et al.	108/23

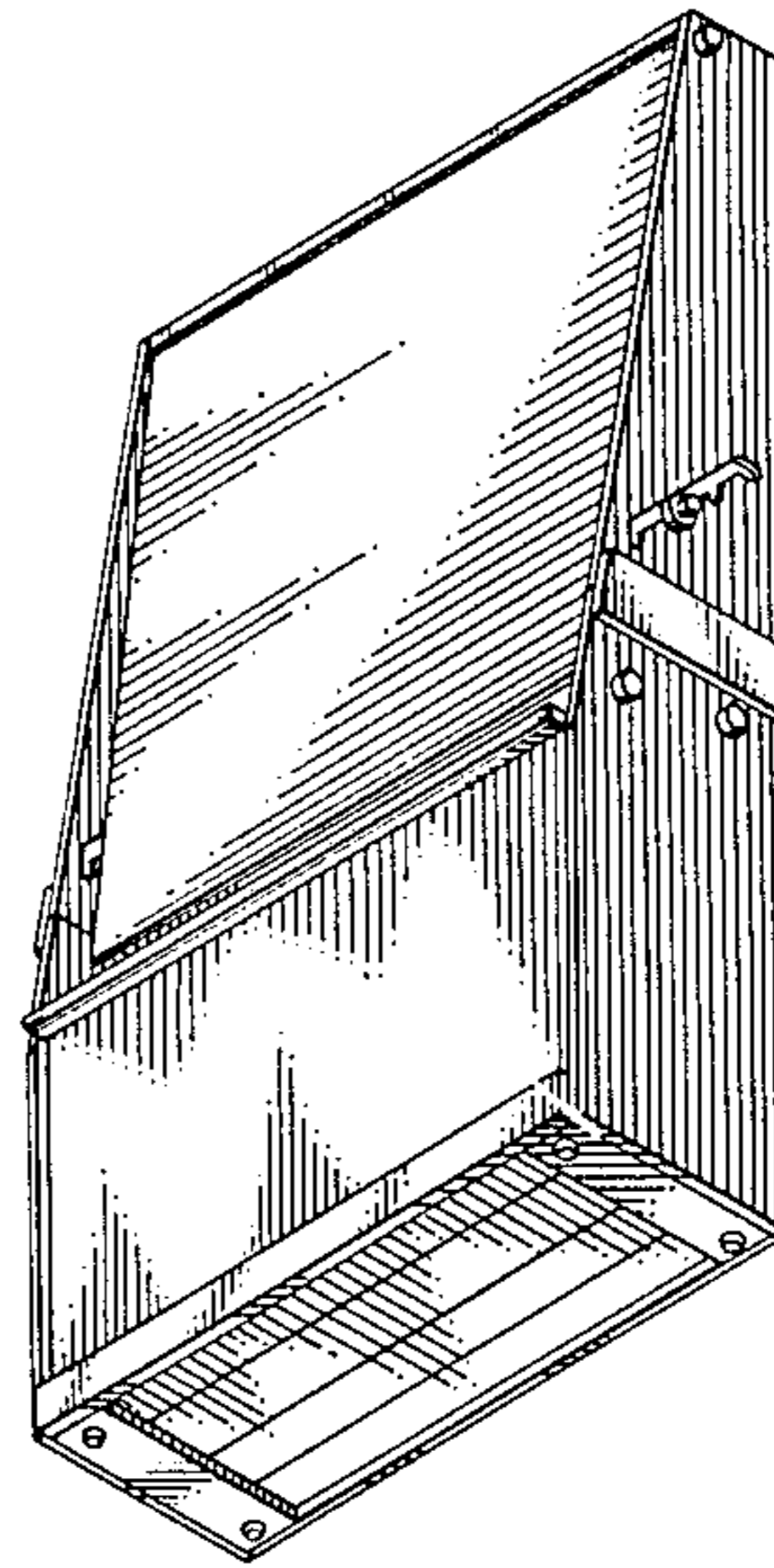
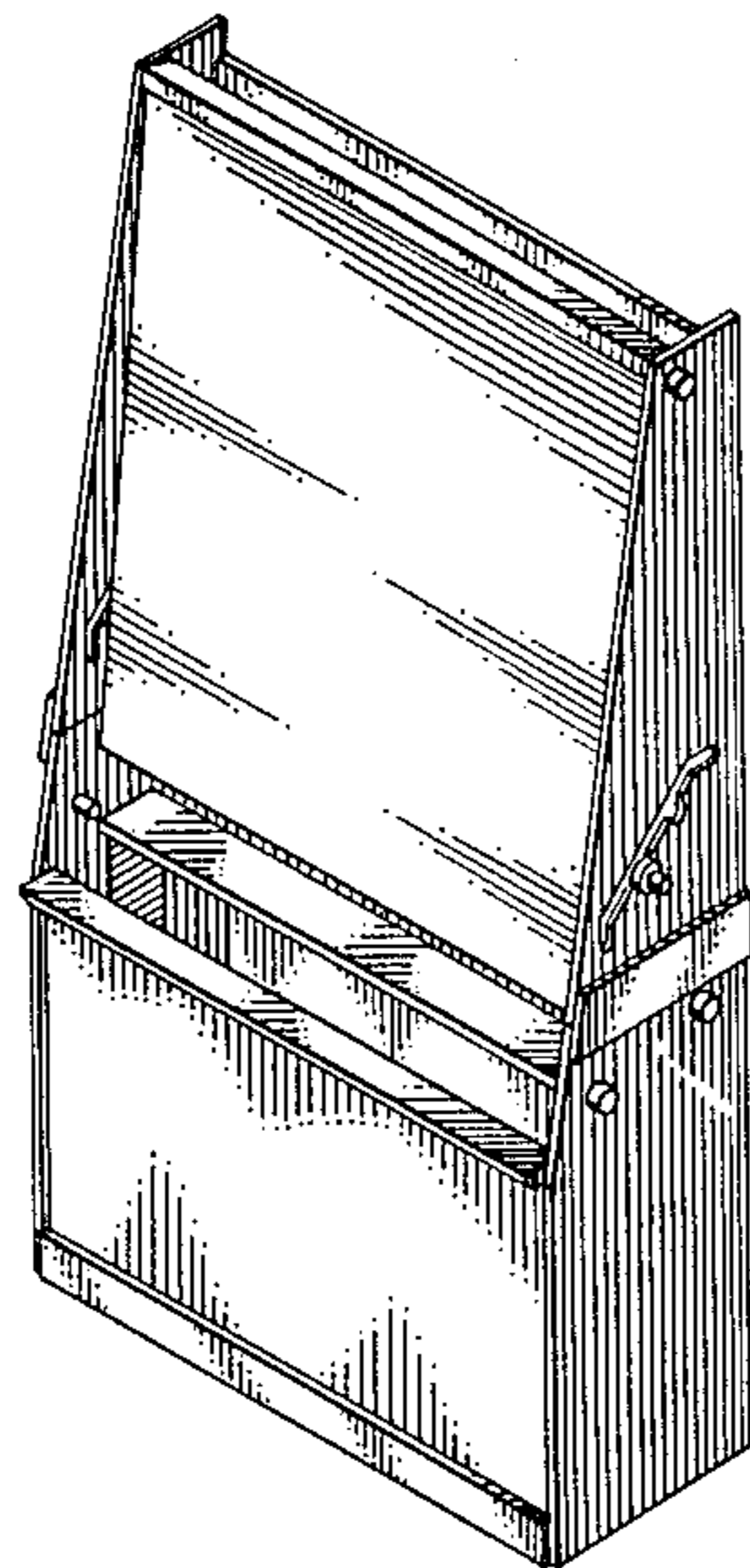
Primary Examiner—Carmen H. Vales-Lado
Attorney, Agent, or Firm—John H. Crowe

[57] CLAIM

The ornamental design for an adjustable artist's easel, or similar article, as shown and described.

DESCRIPTION

FIG. 1 is a top front perspective view of an adjustable artist's easel or similar article showing my new design; FIG. 2 is a bottom front perspective view thereof; FIG. 3 is an enlarged front elevational view thereof; FIG. 4 is a rear elevational view thereof; FIG. 5 is a right side elevational view the left side elevational view being a mirror image thereof; and FIG. 6 is a top plan view thereof.



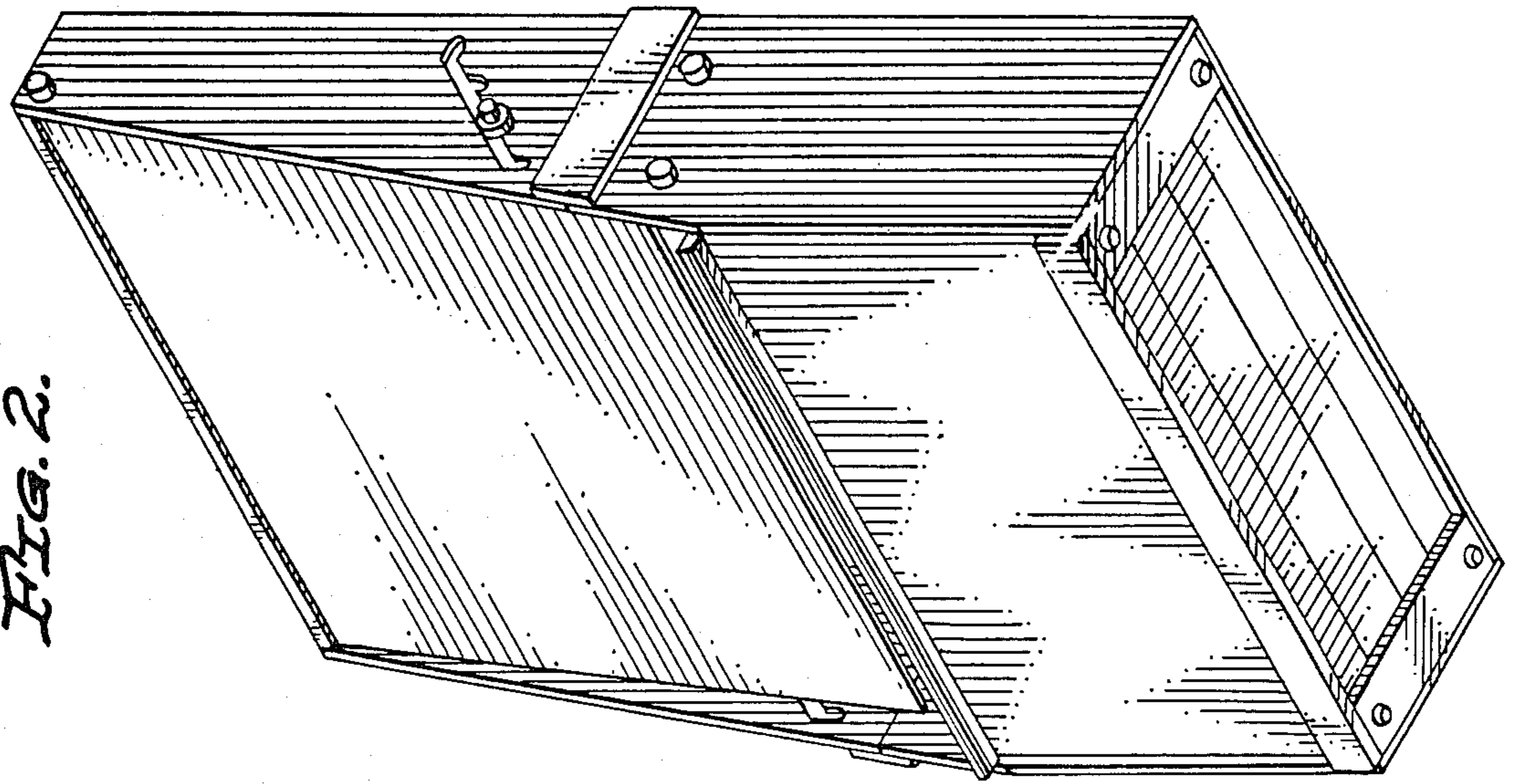


FIG. 2.

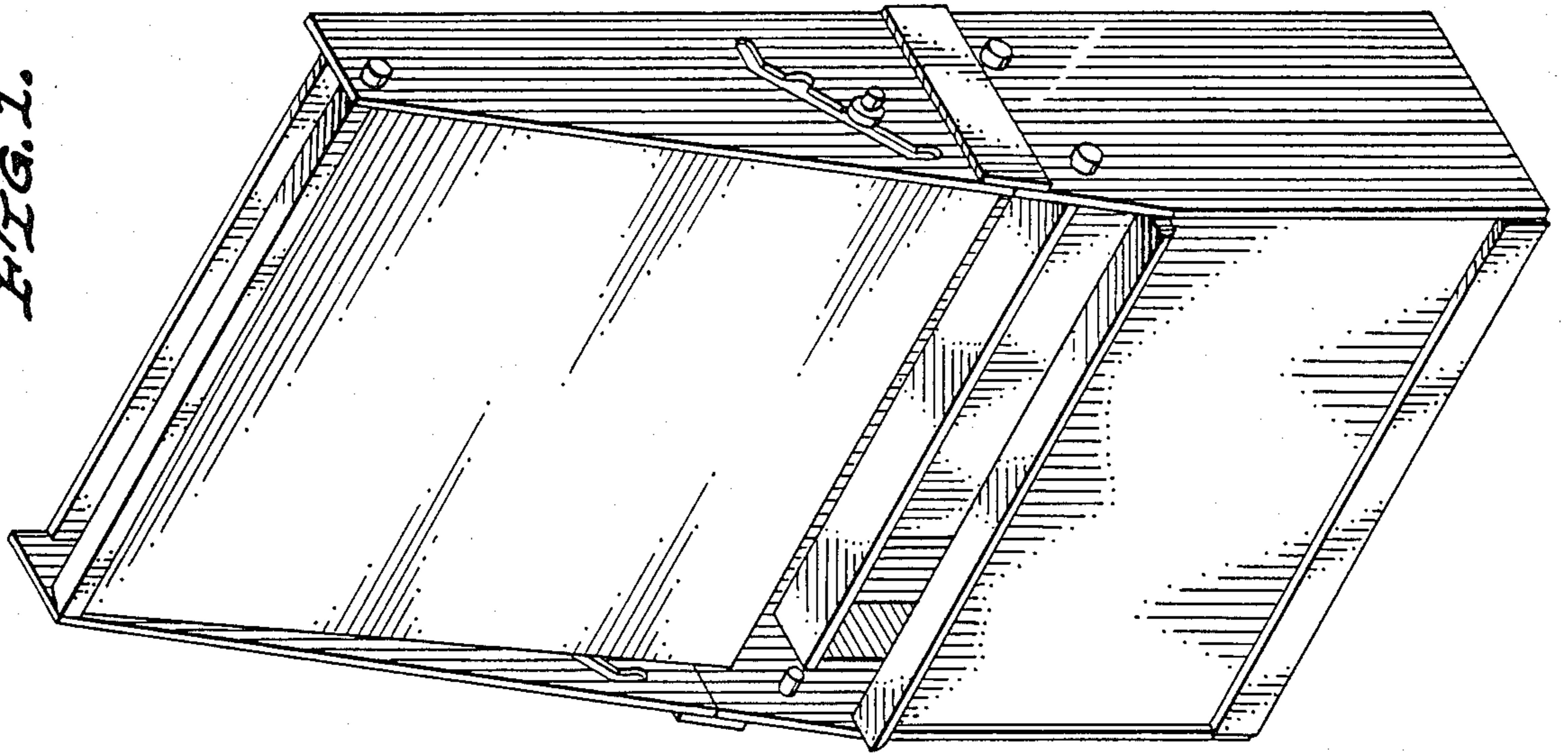


FIG. 1.

FIG. 3.

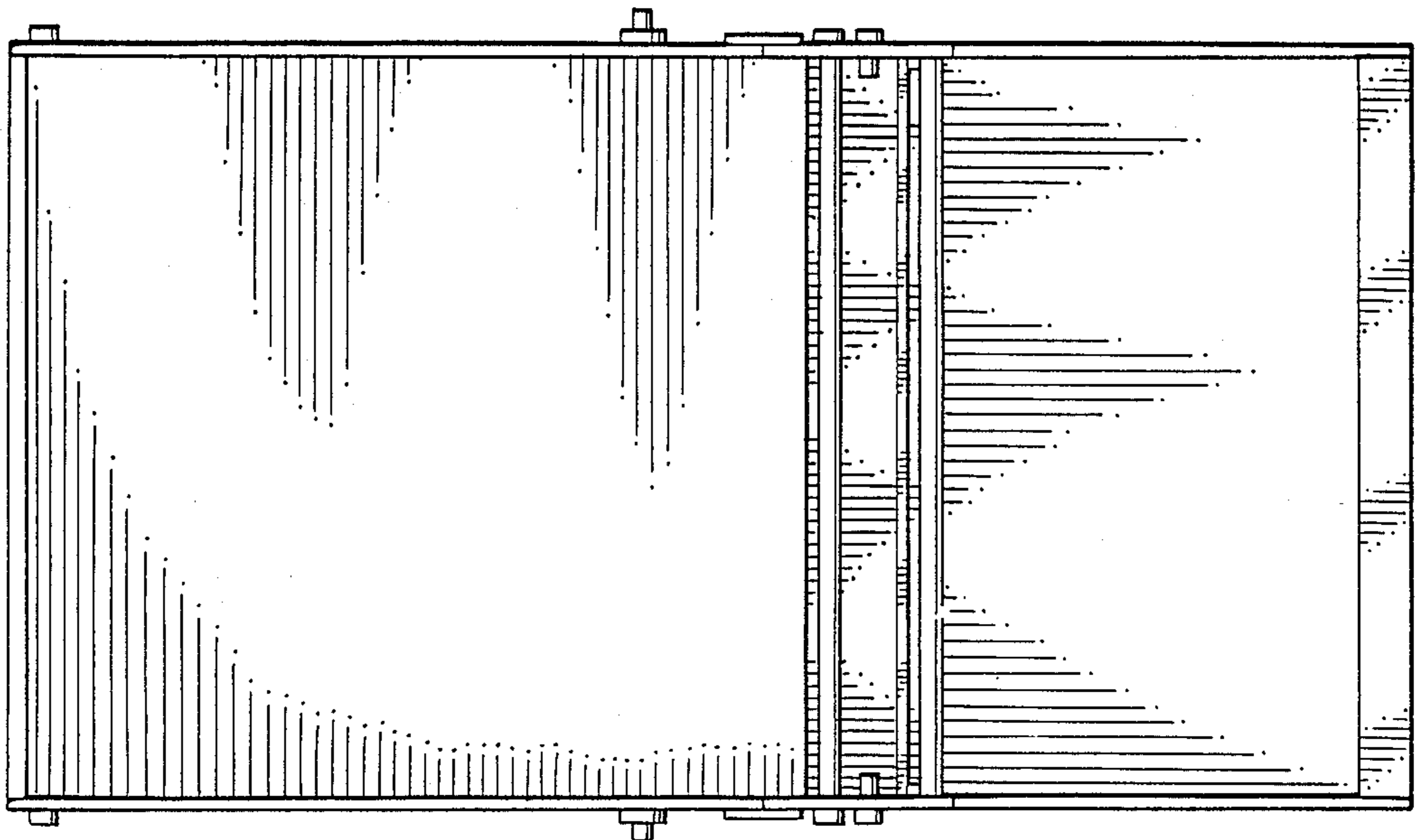


FIG. 4.

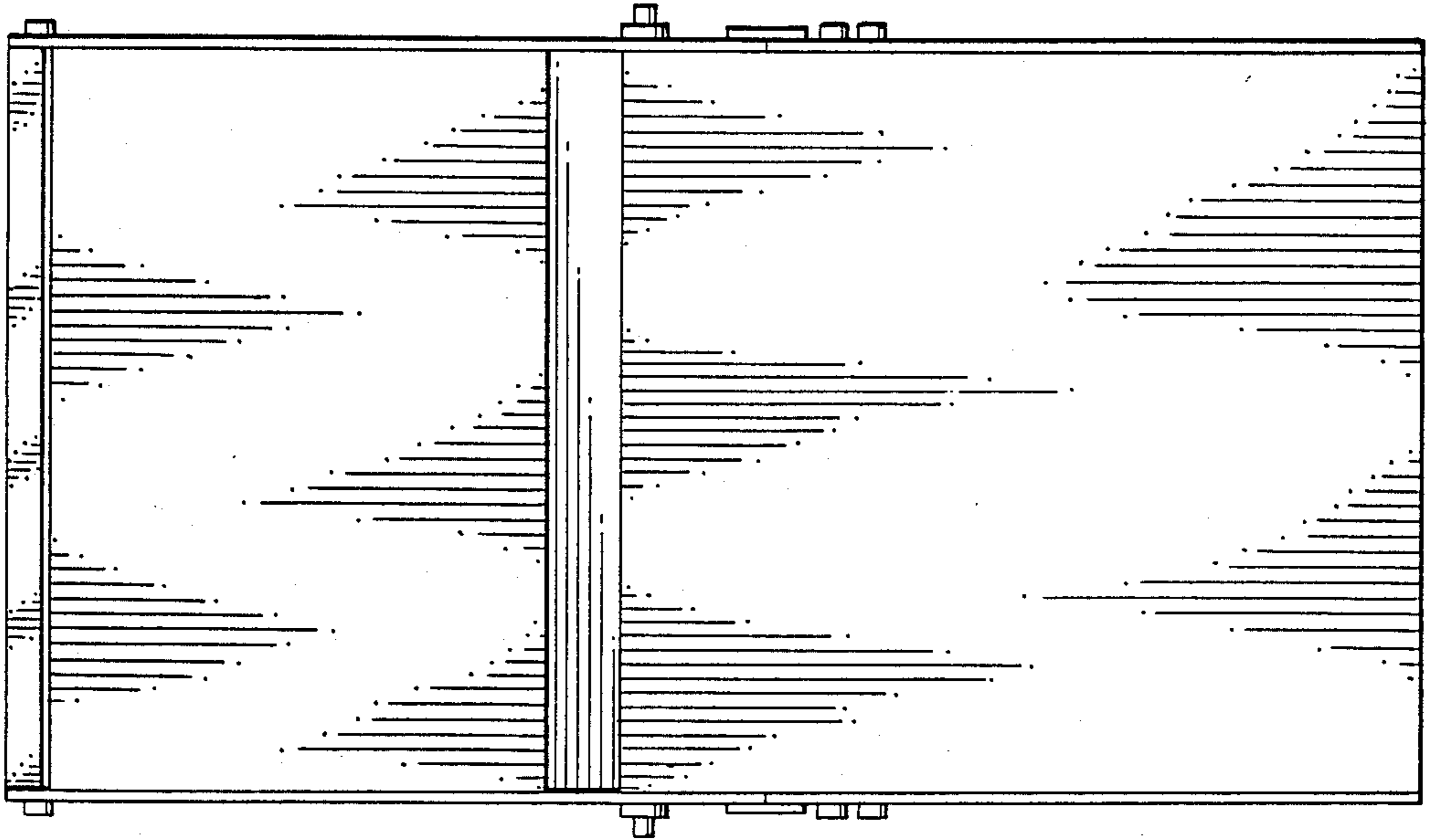


FIG. 5.

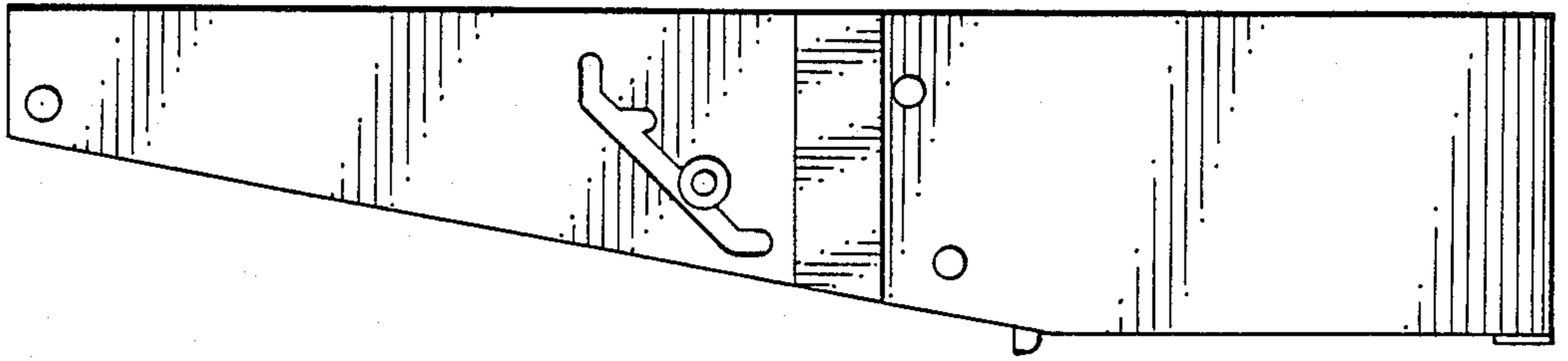


FIG. 6.

