

[54] COMBINATION DESK UNIT

[76] Inventors: Arthur Mills, 35 Cedar Hill, Weston, Conn. 06883; Kenneth B. Curtis, 108-25 Seventy Second Ave., Forest Hills, N.Y. 11375

[**] Term: 14 Years

[21] Appl. No.: 863,388

[22] Filed: May 14, 1986

[52] U.S. Cl. D6/399; D6/406; D6/440

[58] Field of Search D6/397, 399, 406, 440; D26/51, 58; 312/194-196

[56] References Cited

U.S. PATENT DOCUMENTS

- D. 149,807 6/1948 Gaitskill D6/399 X
- D. 212,541 10/1978 Taylor D6/399
- D. 250,437 12/1978 Korpijaakko et al. D6/397
- D. 285,392 9/1986 Thompson D6/399
- D. 296,629 7/1988 Tong D6/399

Primary Examiner—Carmen H. Vales

Attorney, Agent, or Firm—Mattern, Ware, Stoltz & Fressola

[57] CLAIM

The ornamental design for a combination desk unit, as shown and described.

DESCRIPTION

FIG. 1 is a perspective view of a combination desk unit showing our new design;
 FIG. 2 is a top plan view thereof;
 FIG. 3 is a left side elevational view of FIG. 2;
 FIG. 4 is a rear elevational view thereof;
 FIG. 5 is a front elevational view thereof;
 FIG. 6 is a perspective view with the lamp in retracted position;
 FIG. 7 is a top plan view thereof;
 FIG. 8 is a left side elevational view thereof;
 FIG. 9 is a right side elevational view thereof;
 FIG. 10 is a bottom plan view thereof;
 FIG. 11 is a rear elevational view thereof;
 FIG. 12 is a front elevational view thereof;
 FIG. 13 is a top plan view with all covers in open position.

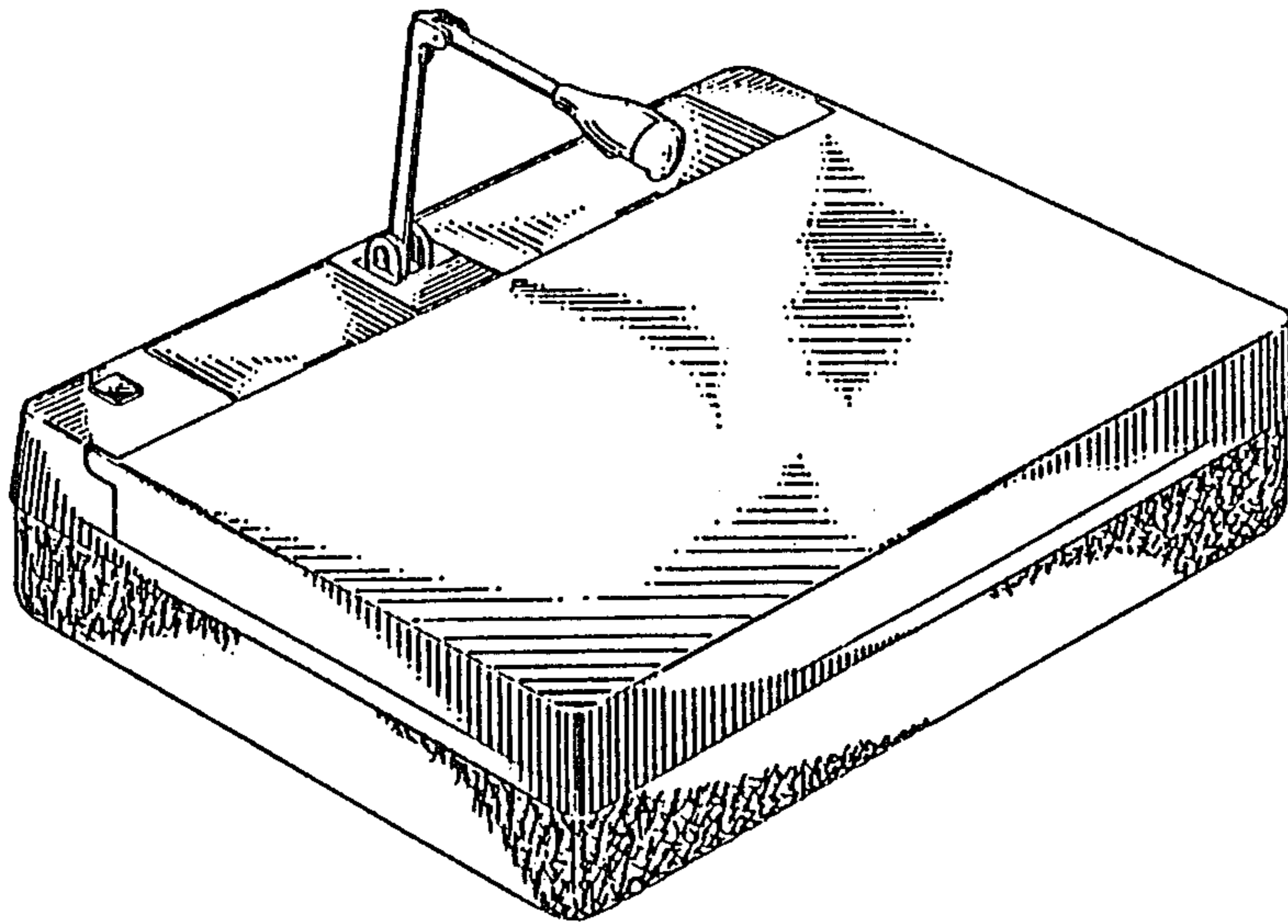


FIG. 1

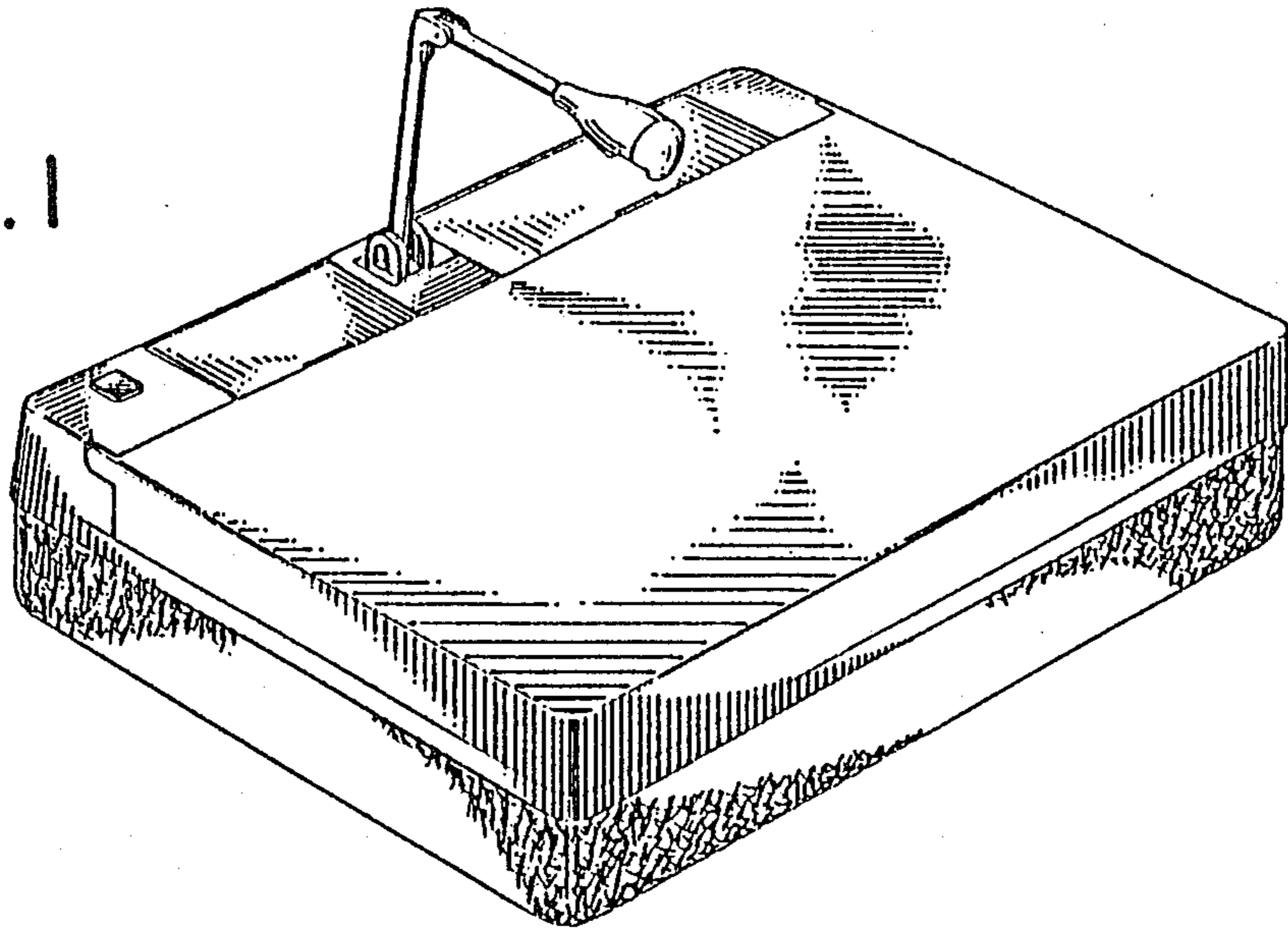


FIG. 3

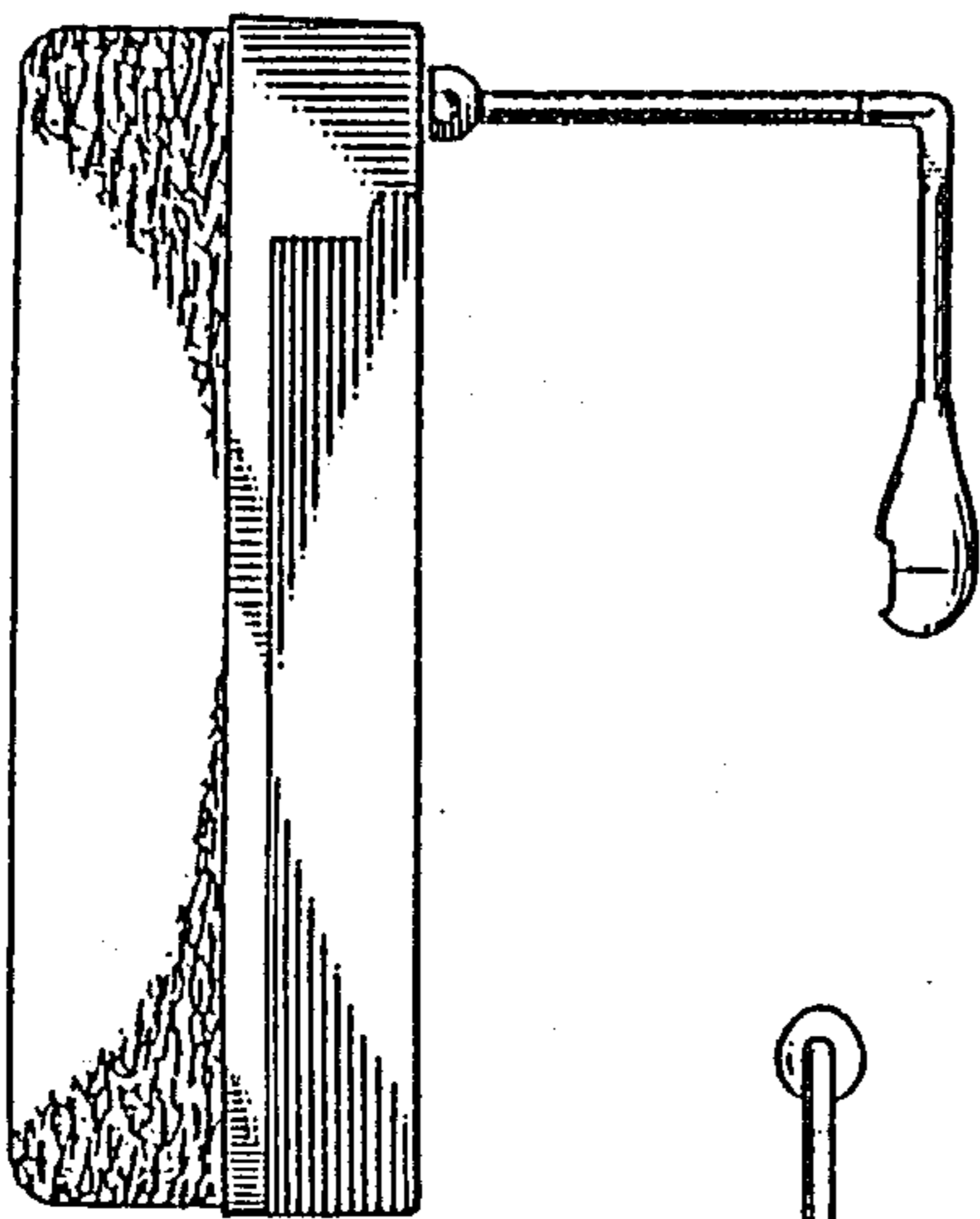


FIG. 2

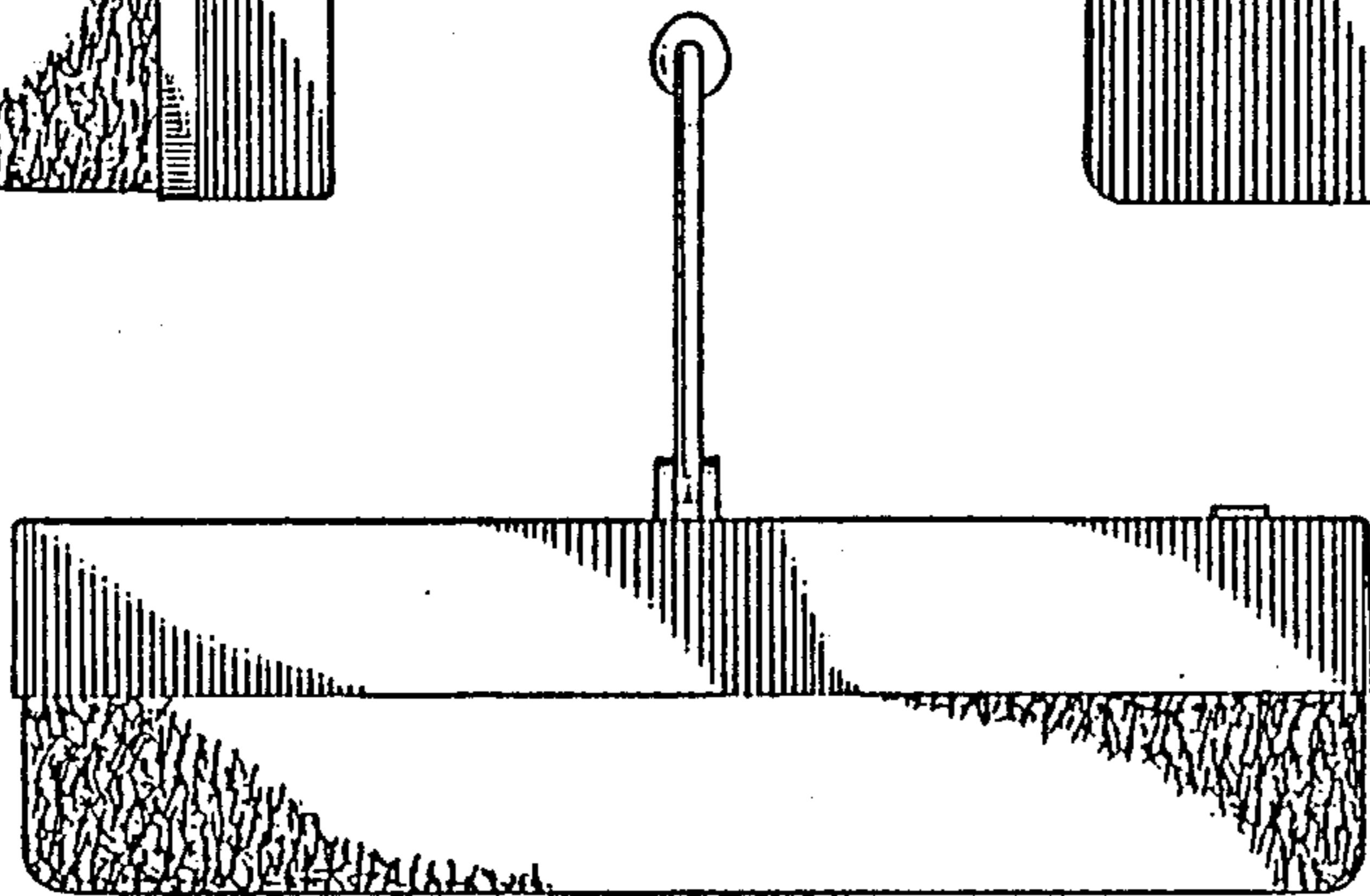
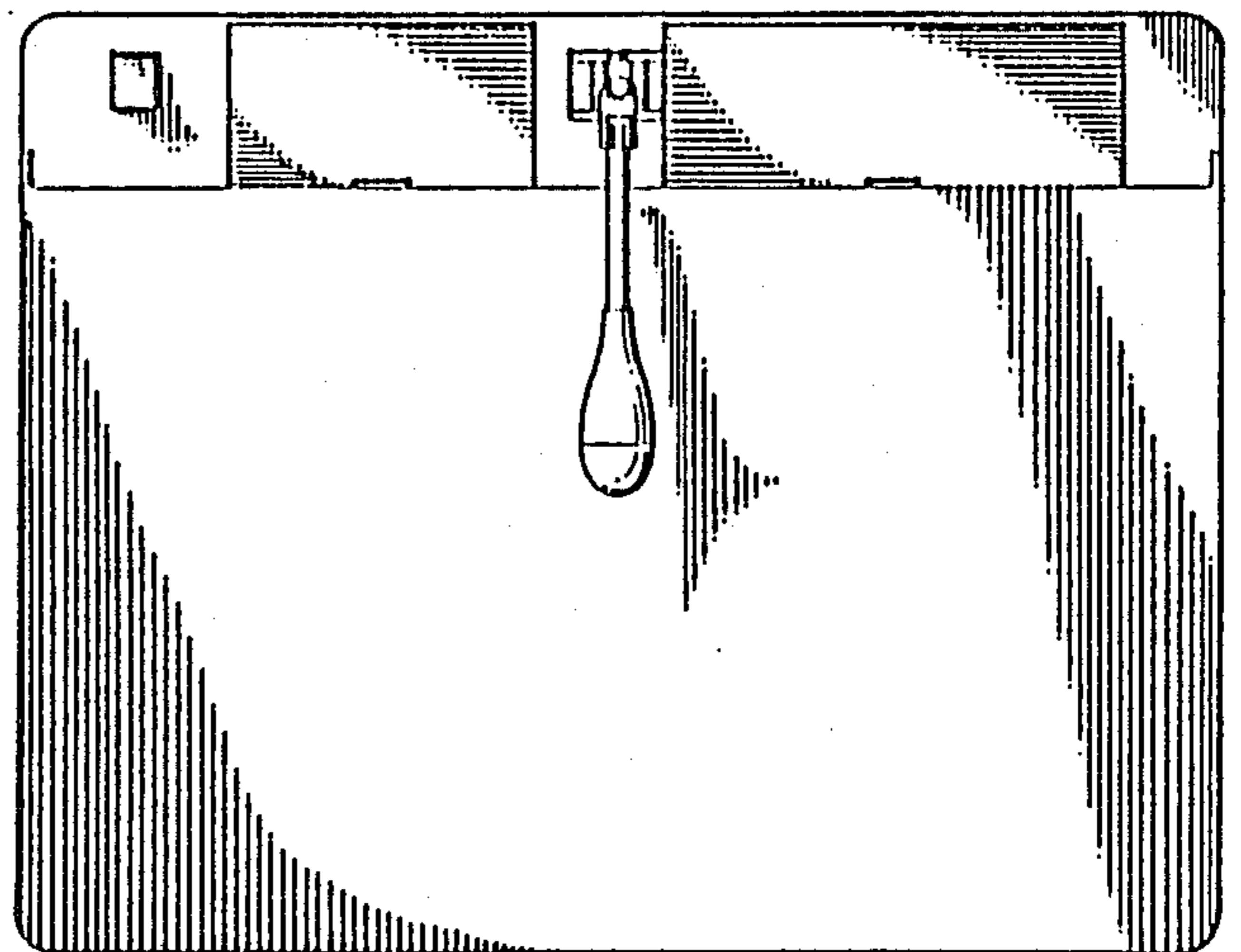


FIG. 4

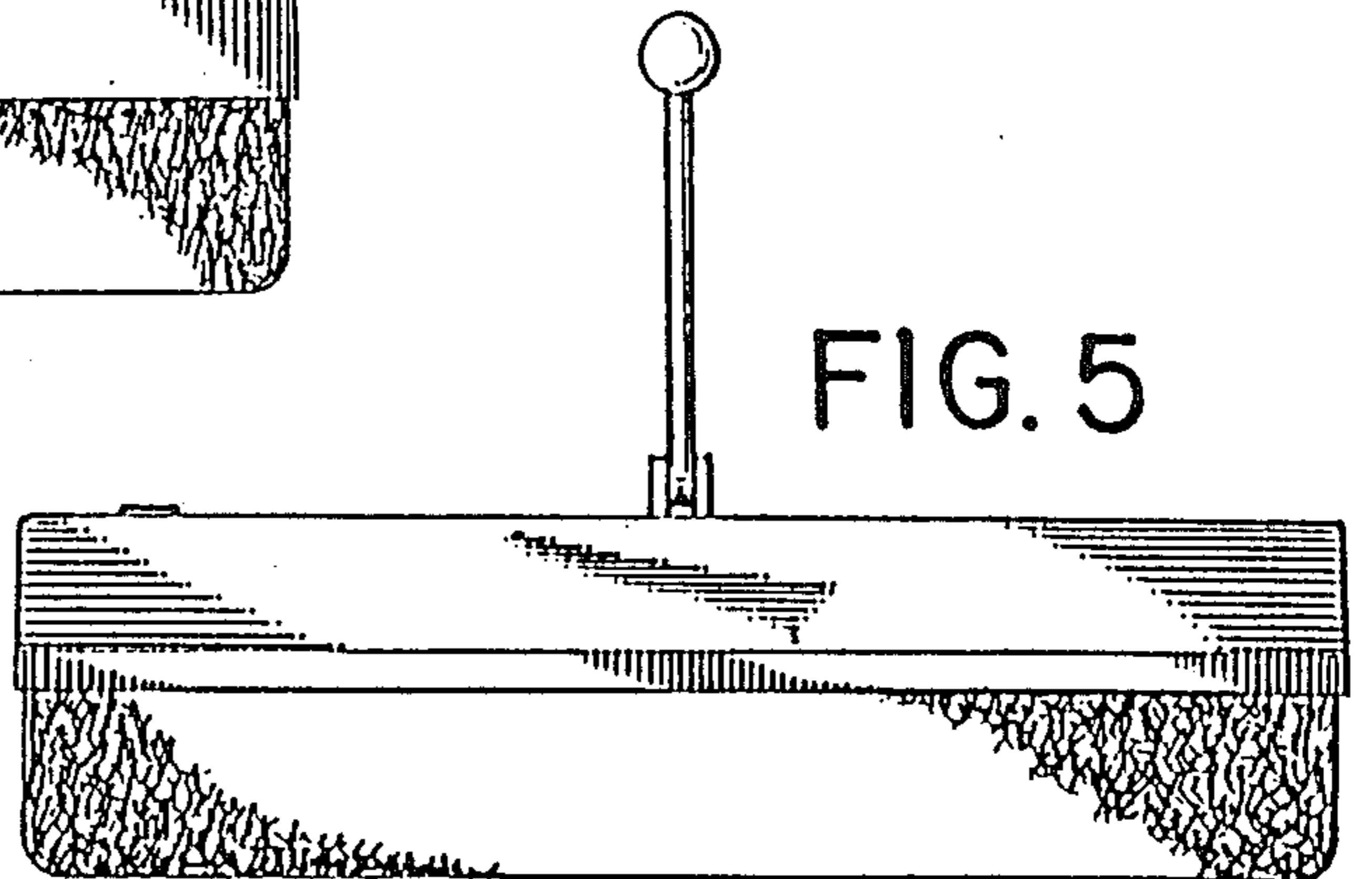


FIG. 5

FIG. 6

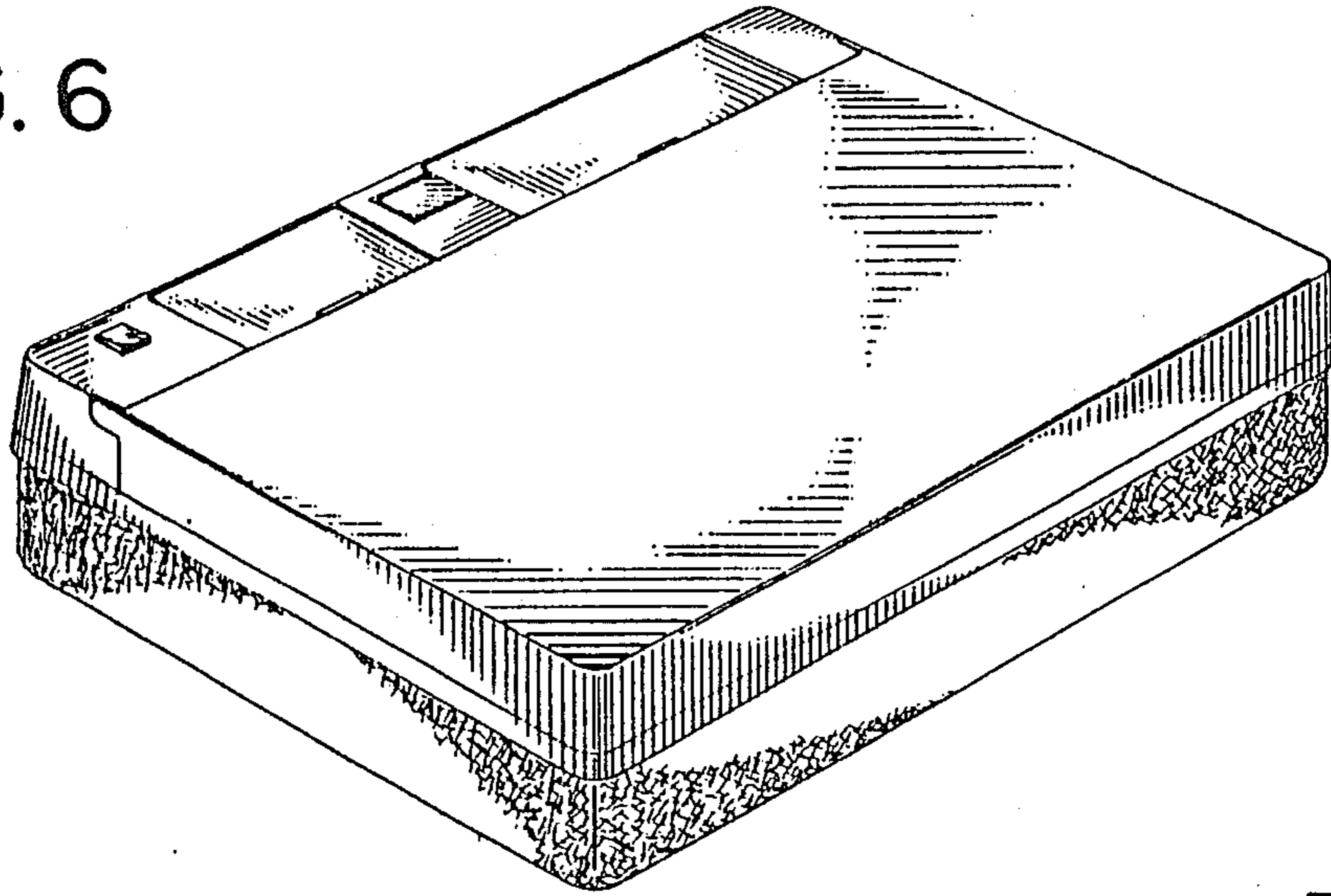


FIG. 8

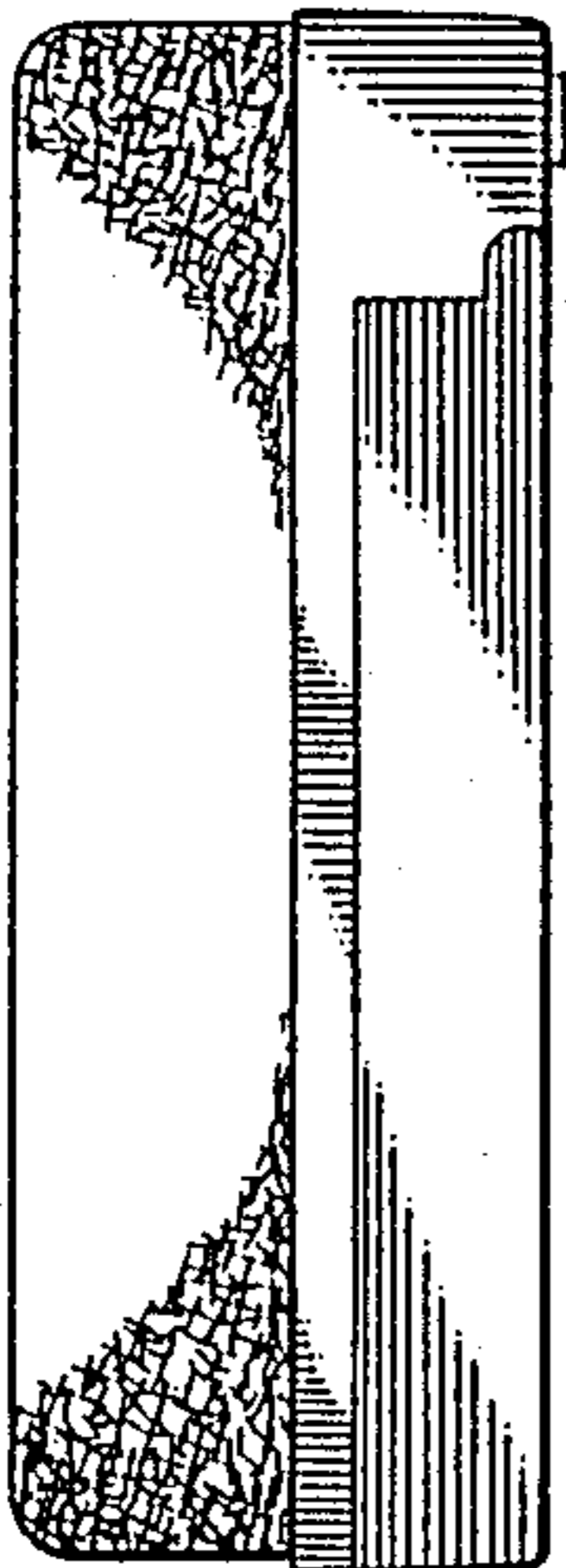


FIG. 7

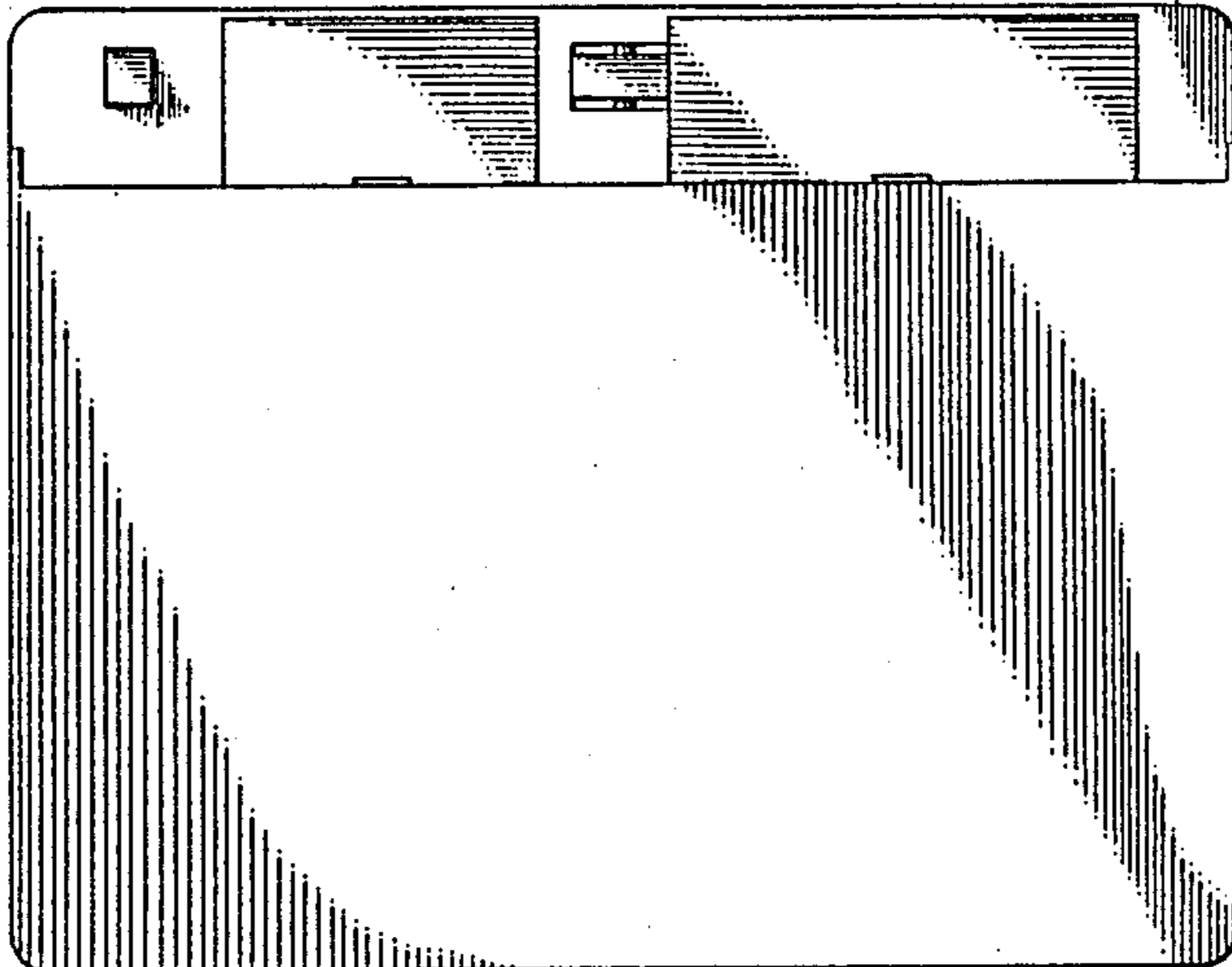


FIG. 9

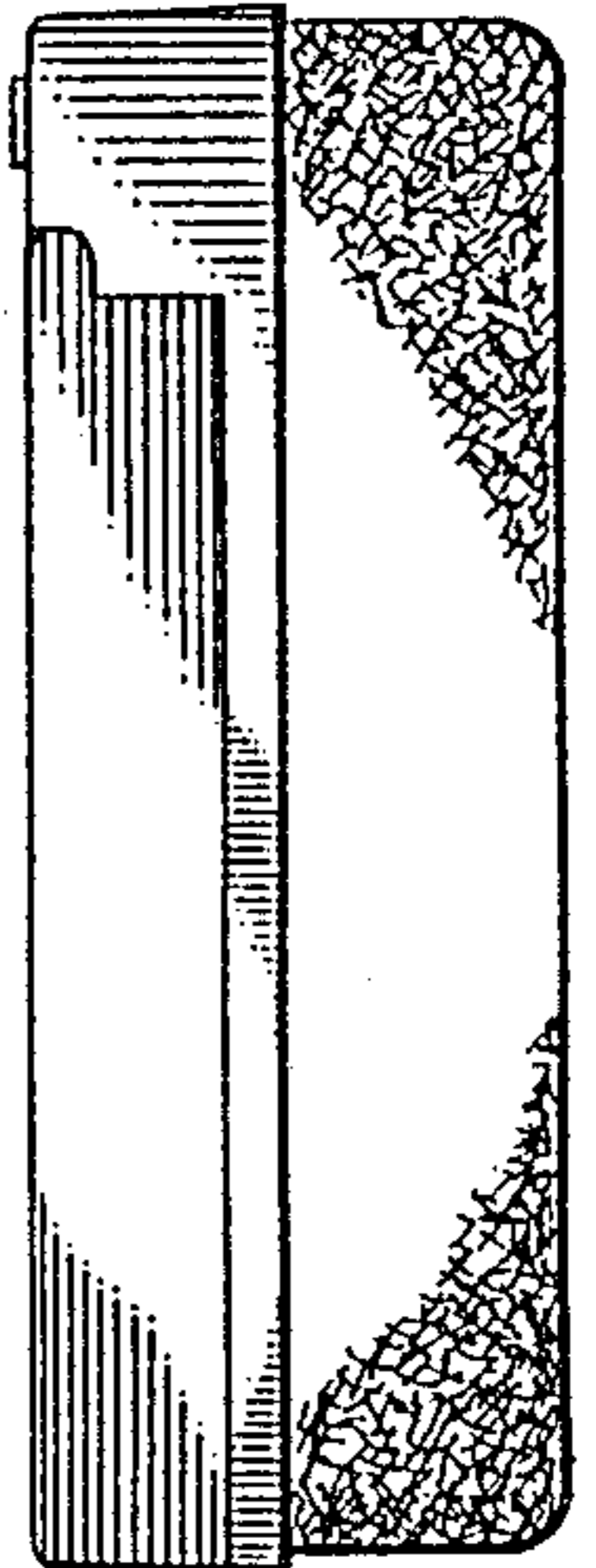


FIG. 10

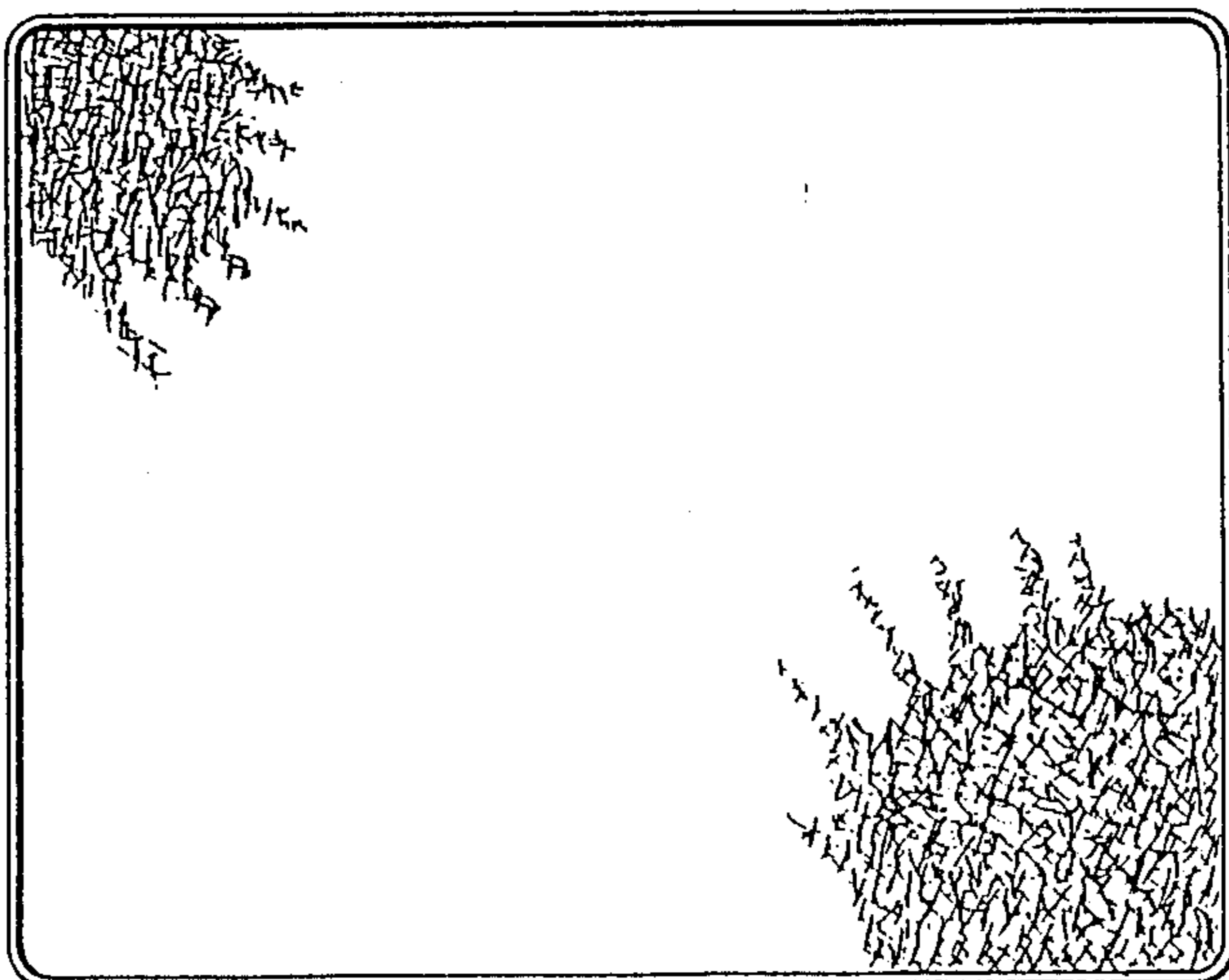


FIG. 11

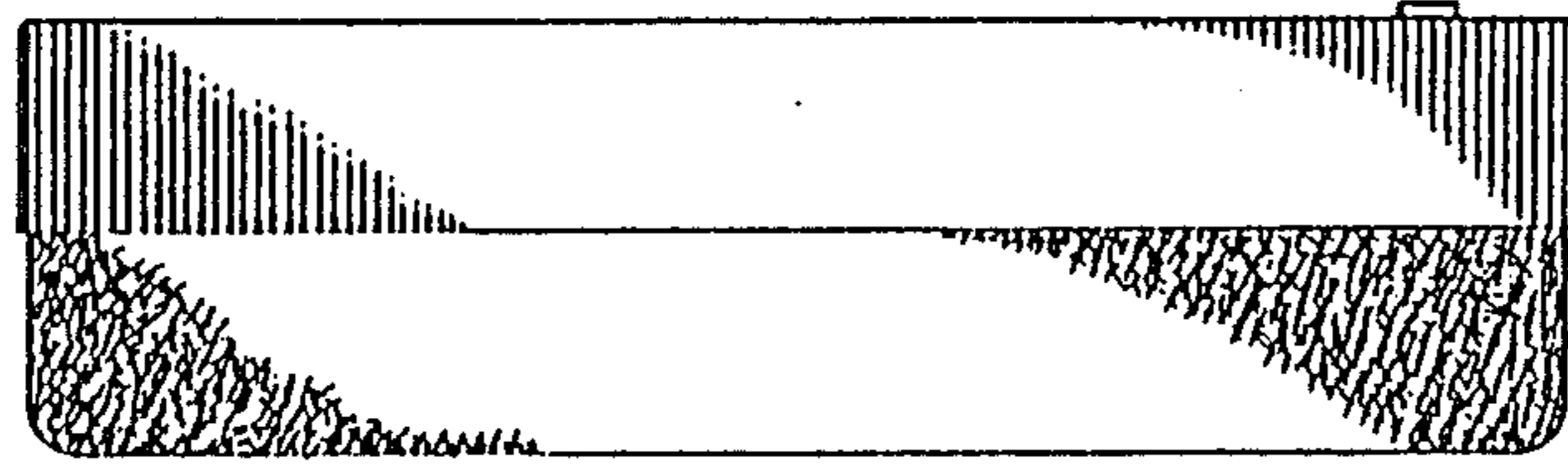


FIG. 12

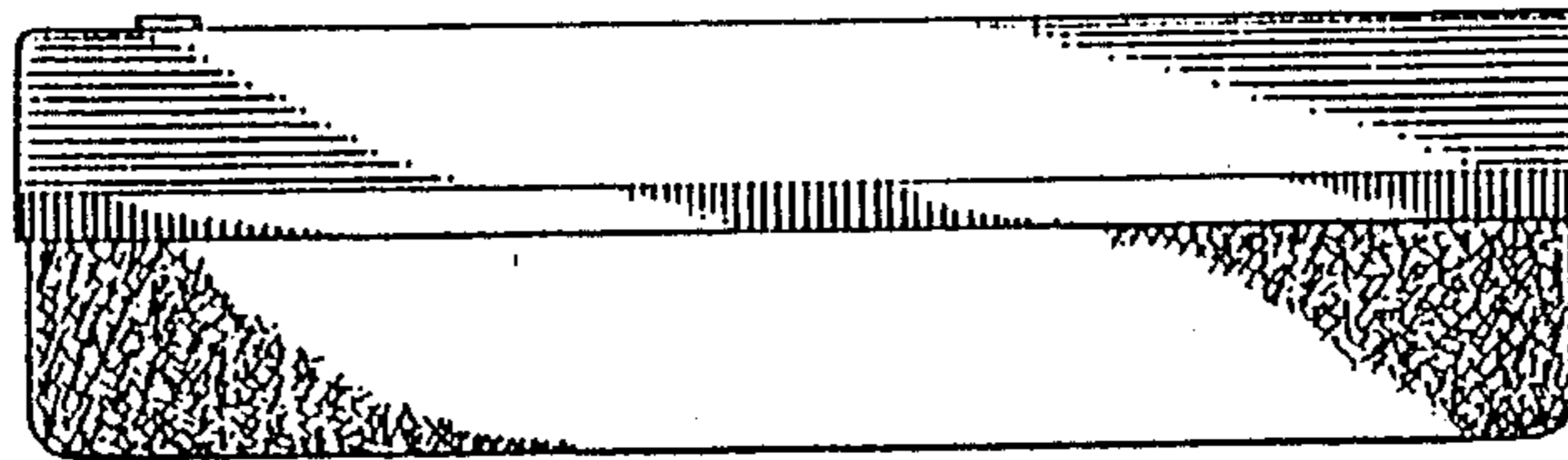


FIG. 13

