

[54] DUAL WHIRLPOOL BATH DISPLAY

[56] References Cited

[76] Inventor: Thomas P. Ebert, P.O. Box 1937, Breckenridge, Colo. 80424

U.S. PATENT DOCUMENTS

- D. 237,616 11/1975 Gordon D24/38
- D. 246,728 12/1977 Wormser D24/38
- 3,065,746 11/1962 Gregory D24/38 X

[**] Term: 14 Years

Primary Examiner—Wallace R. Burke
Assistant Examiner—Stella M. Reid
Attorney, Agent, or Firm—Mathew R. P. Perrone, Jr.

[21] Appl. No.: 890,624

[57] CLAIM

The ornamental design for a dual whirlpool bath display, as shown.

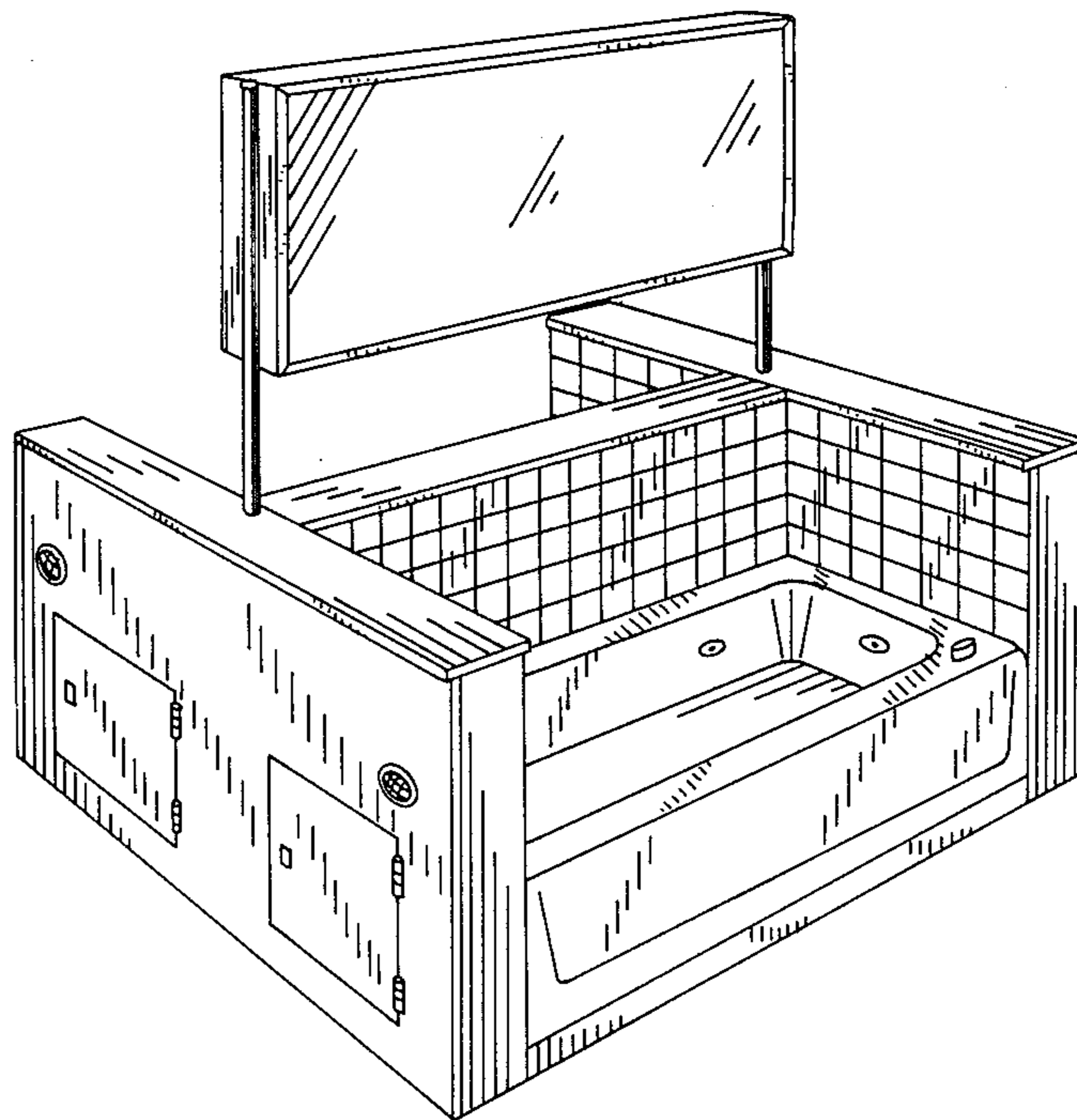
[22] Filed: Jul. 30, 1986

DESCRIPTION

[52] U.S. Cl. D6/397; D6/399; D24/38

[58] Field of Search D24/38, 36; 4/488, 513, 4/538, 546, 548, 568, 569, 566, 584; 128/369, 66; D23/55, 56, 49; D25/2

FIG. 1 is a perspective view of a dual whirlpool bath display, showing my new design, the opposite side being identical thereto; and
 FIG. 2 is a top plan view thereof.



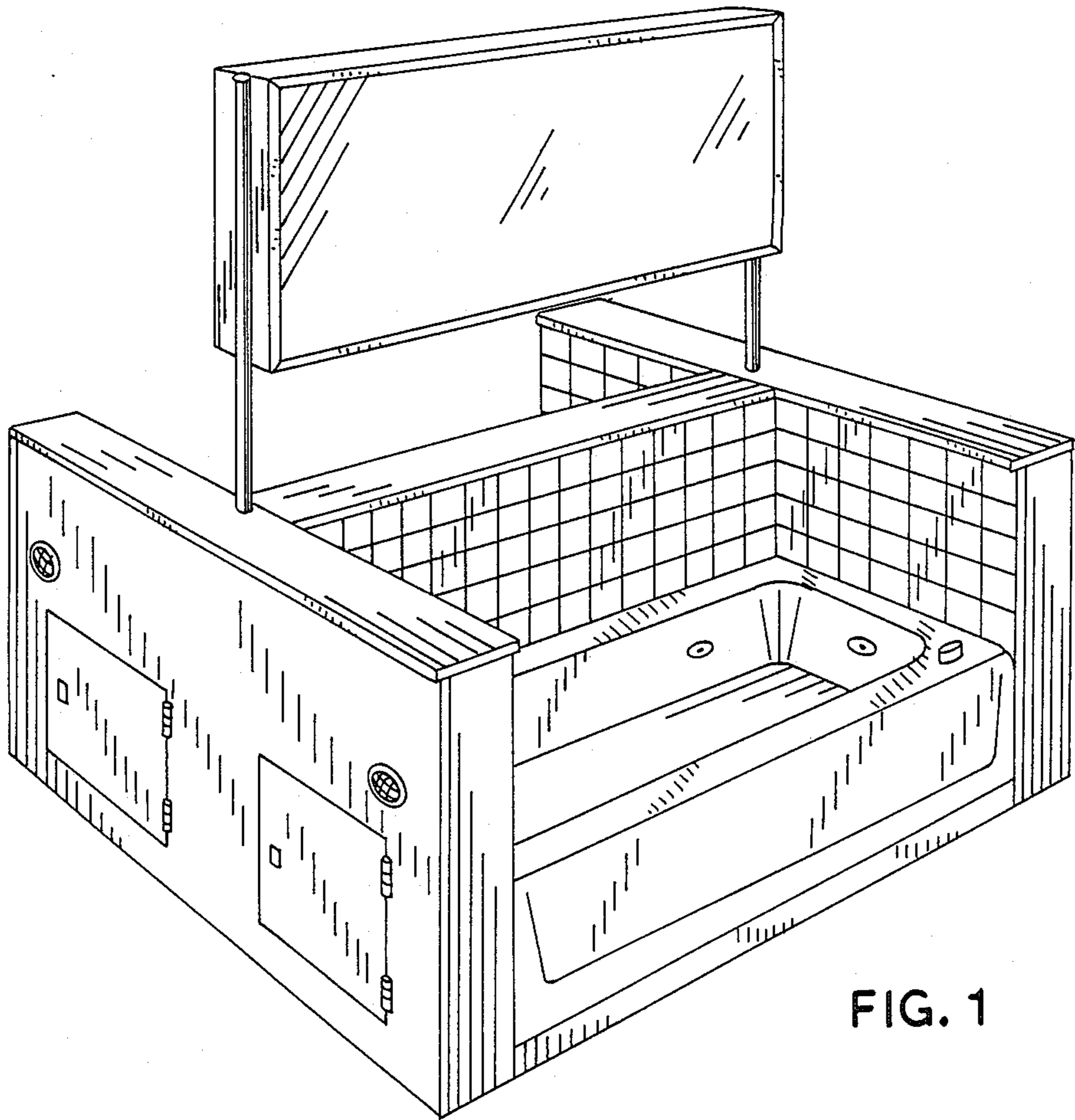


FIG. 1

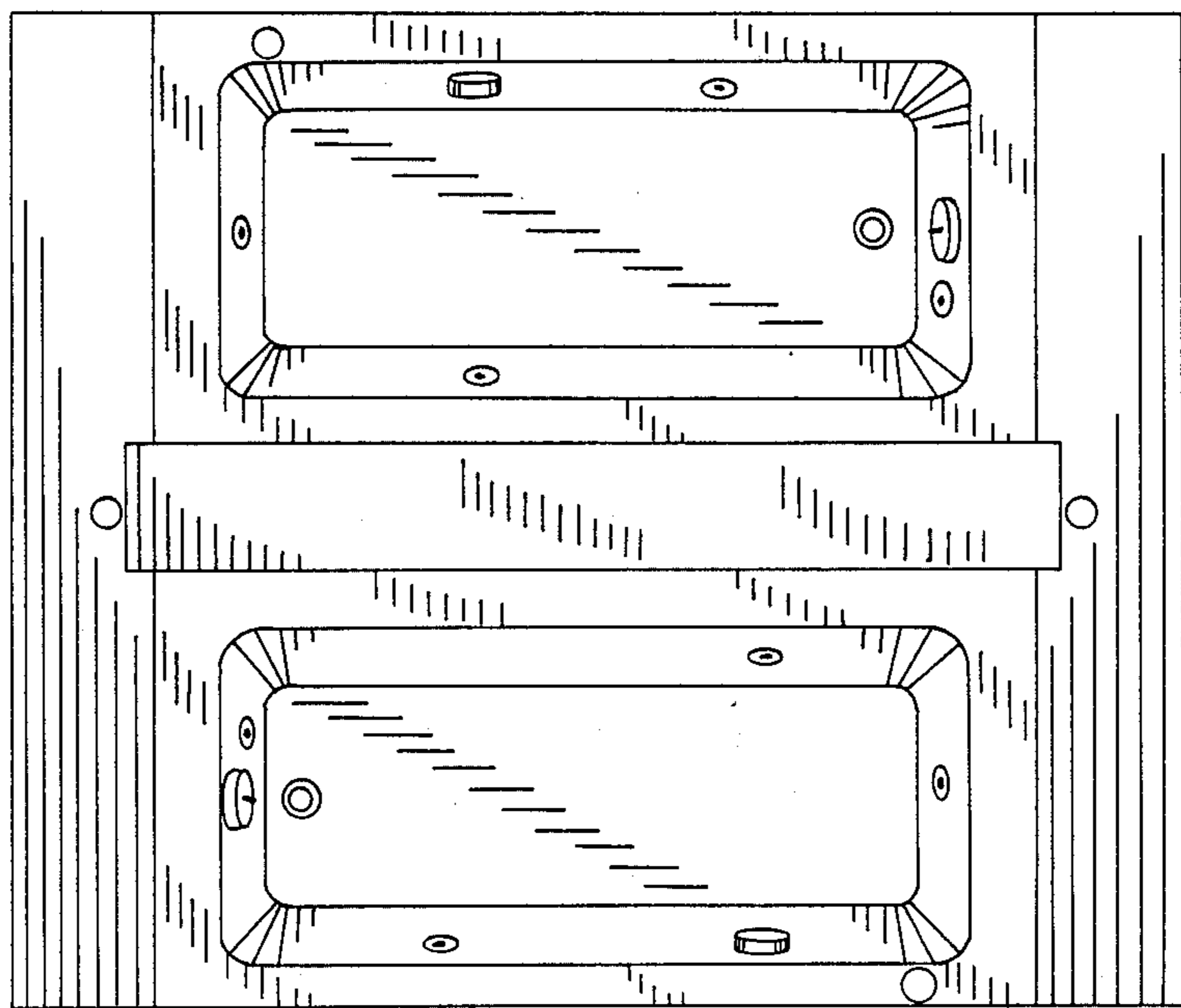


FIG. 2