

[54] DETACHABLE SPOOL

[76] Inventor: Ta Y. Huang, No. 353, Section 1, Fu Hsing Road, Shu I Li, South District, Taichung, Taiwan

[\*\*] Term: 14 Years

[21] Appl. No.: 876,352

[22] Filed: Jun. 19, 1986

[52] U.S. Cl. .... D3/24; 242/115

[58] Field of Search ..... D3/24; 242/71.8, 118.4, 242/141, 20, 46, 115, 118.1, 118.5, 125, 125.3, 118.4

[56] References Cited

U.S. PATENT DOCUMENTS

299,836 6/1884 Nadelhoffer ..... 242/118.4  
1,860,249 5/1932 Jackson ..... 242/118.4

2,247,881 7/1941 Hatfield ..... 242/71.8  
4,351,451 9/1982 Wolfe ..... 223/106

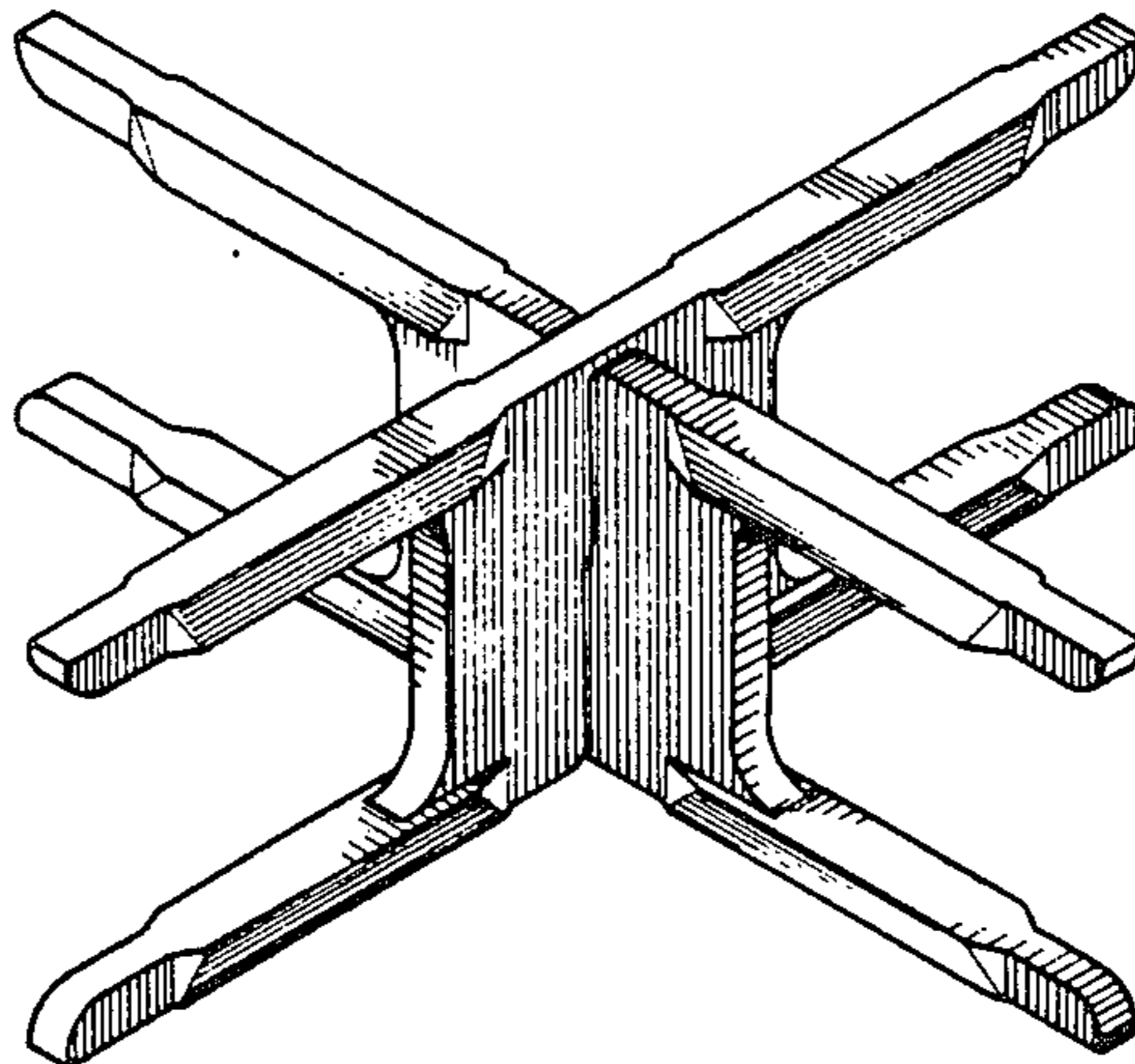
Primary Examiner—Bruce W. Dunkins  
Assistant Examiner—Y. Brunot  
Attorney, Agent, or Firm—Bacon & Thomas

[57] CLAIM

The ornamental design for a detachable spool, as shown and described.

DESCRIPTION

FIG. 1 is a perspective view of a detachable spool showing my new design;  
FIG. 2 is a left side elevational view thereof;  
FIG. 3 is a right side elevational view thereof;  
FIG. 4 is a top plan view thereof;  
FIG. 5 is a bottom plan view thereof;  
FIG. 6 is a front elevational view; and  
FIG. 7 is a rear elevational view thereof.



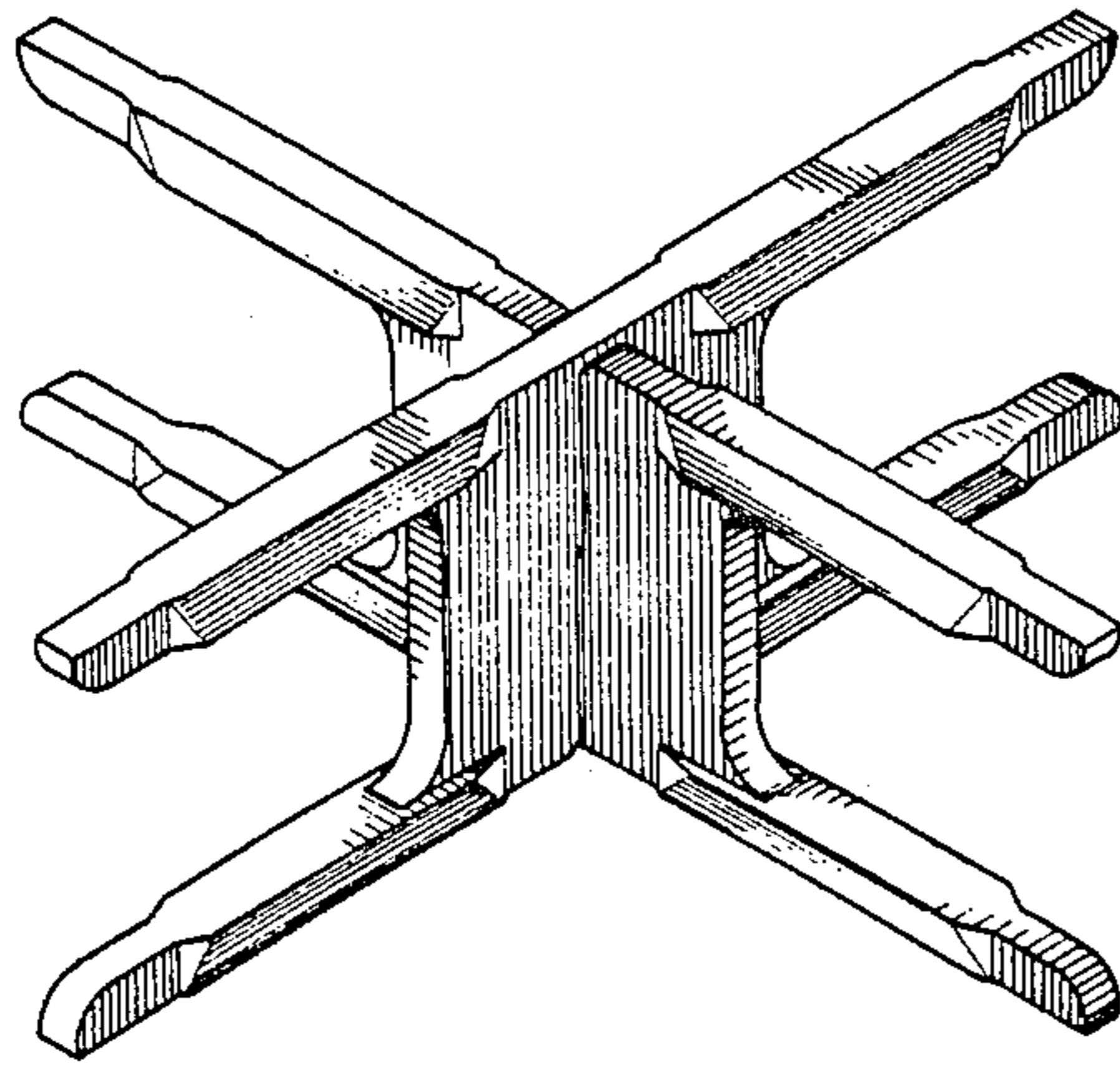


FIG.1

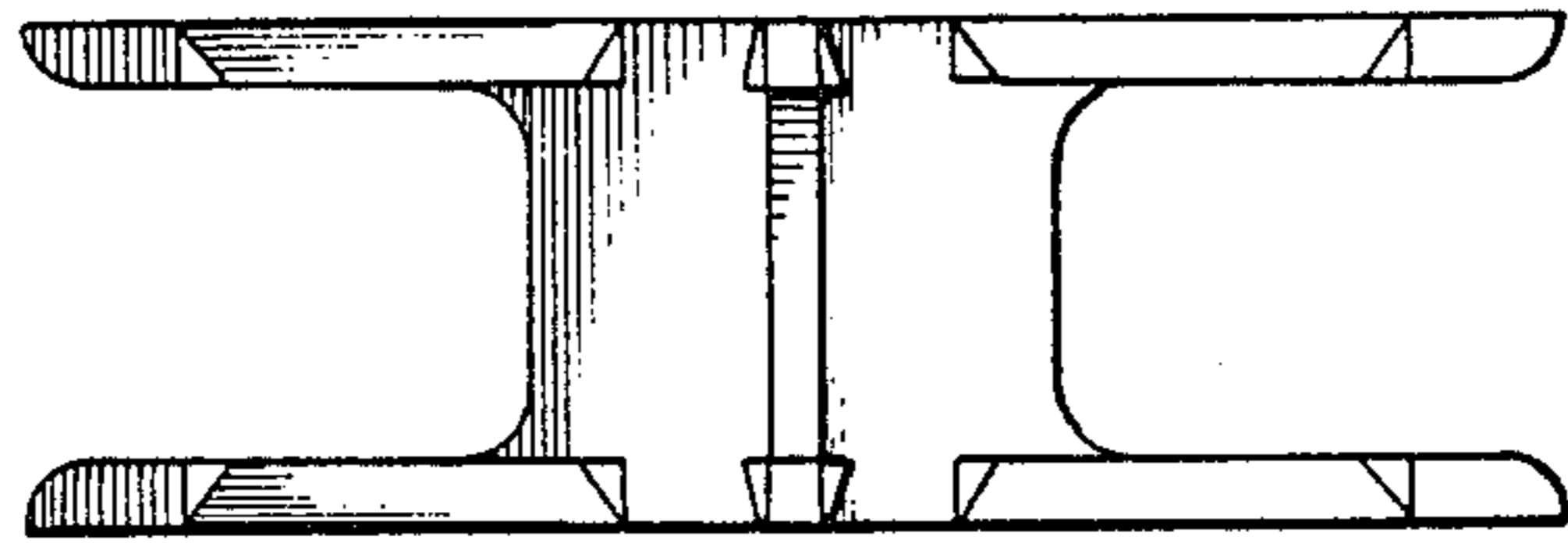


FIG.2

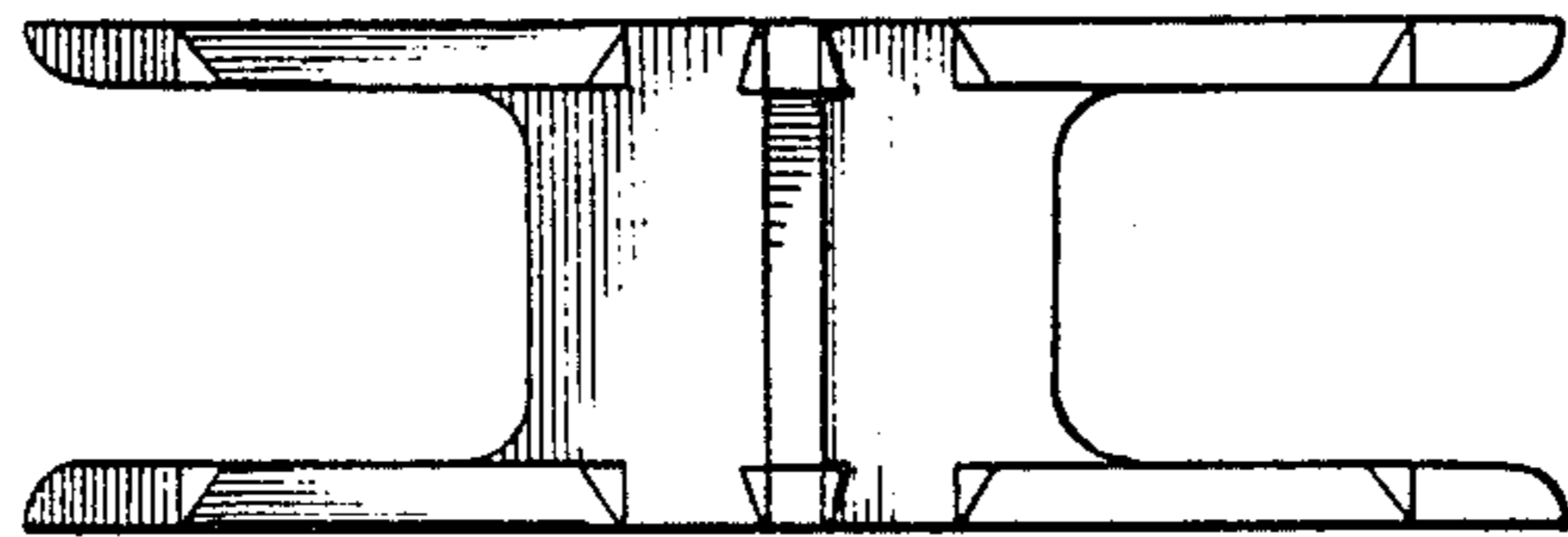


FIG.3

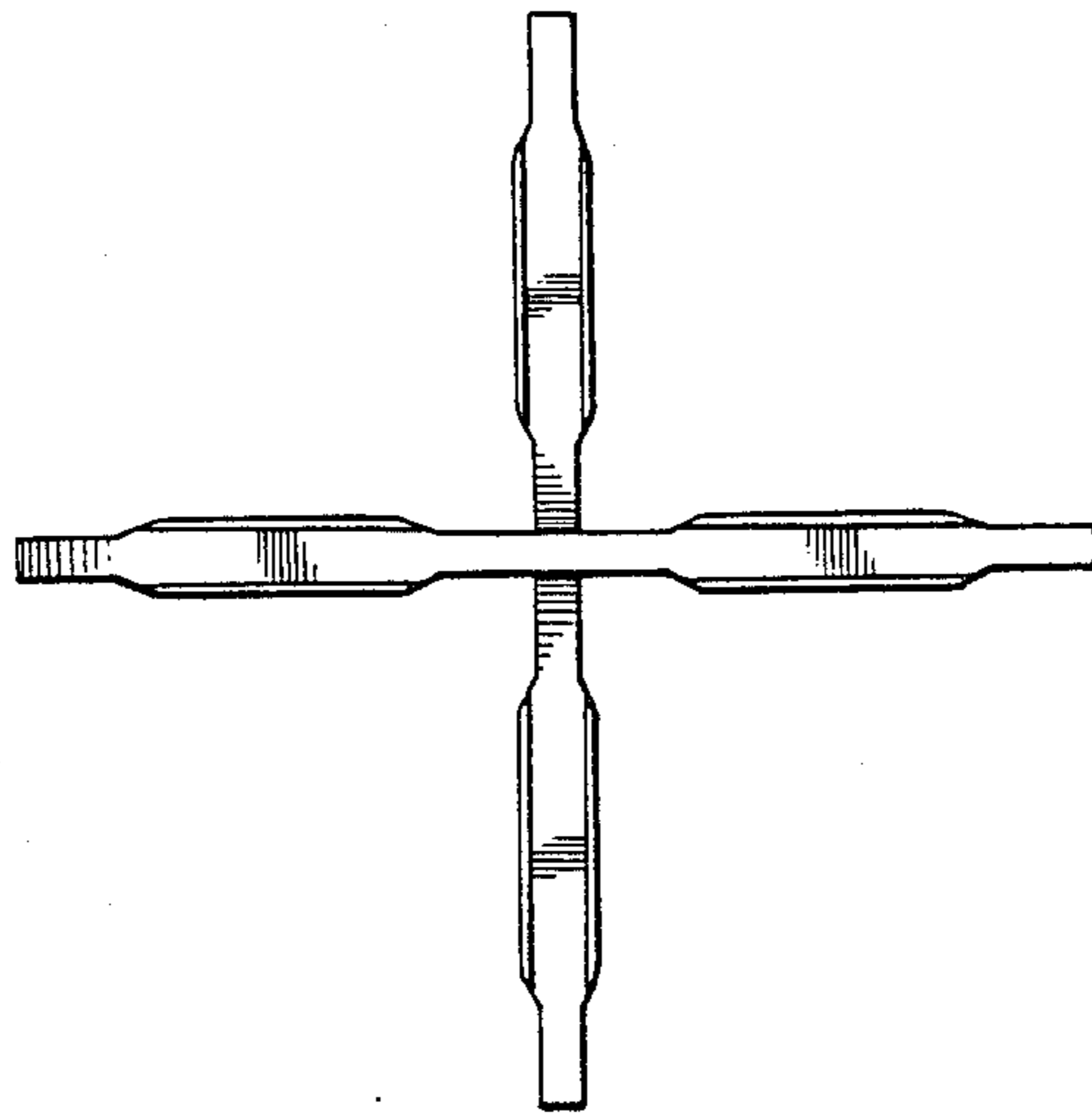


FIG. 4

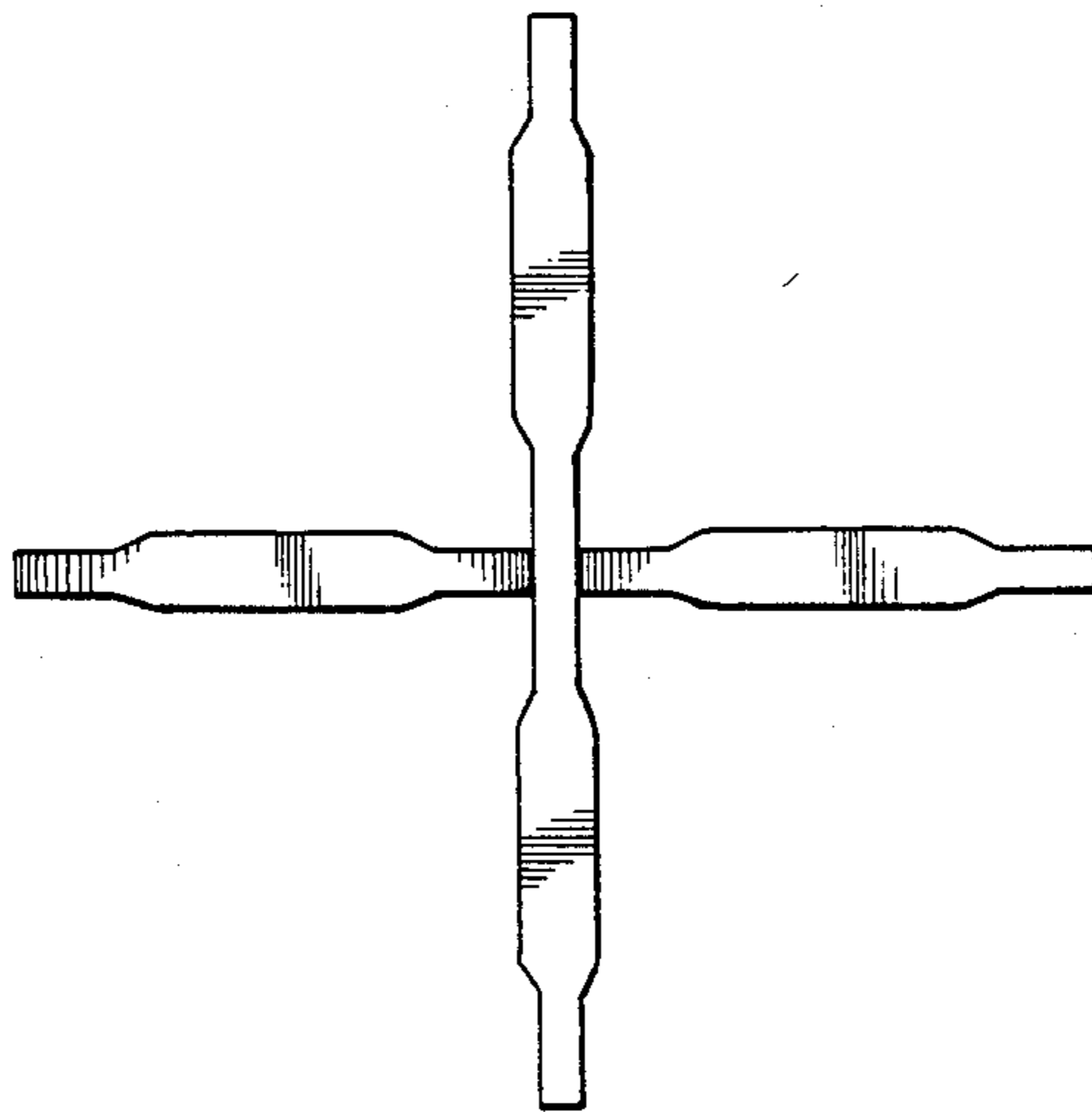


FIG. 5

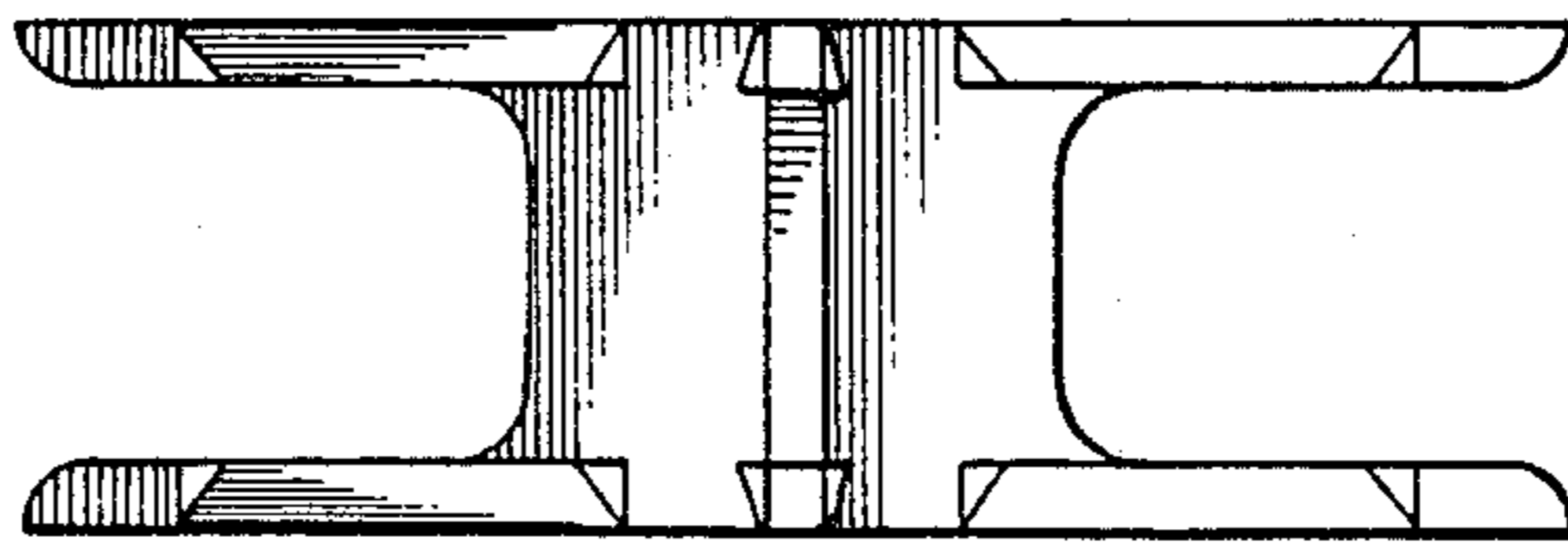


FIG. 6

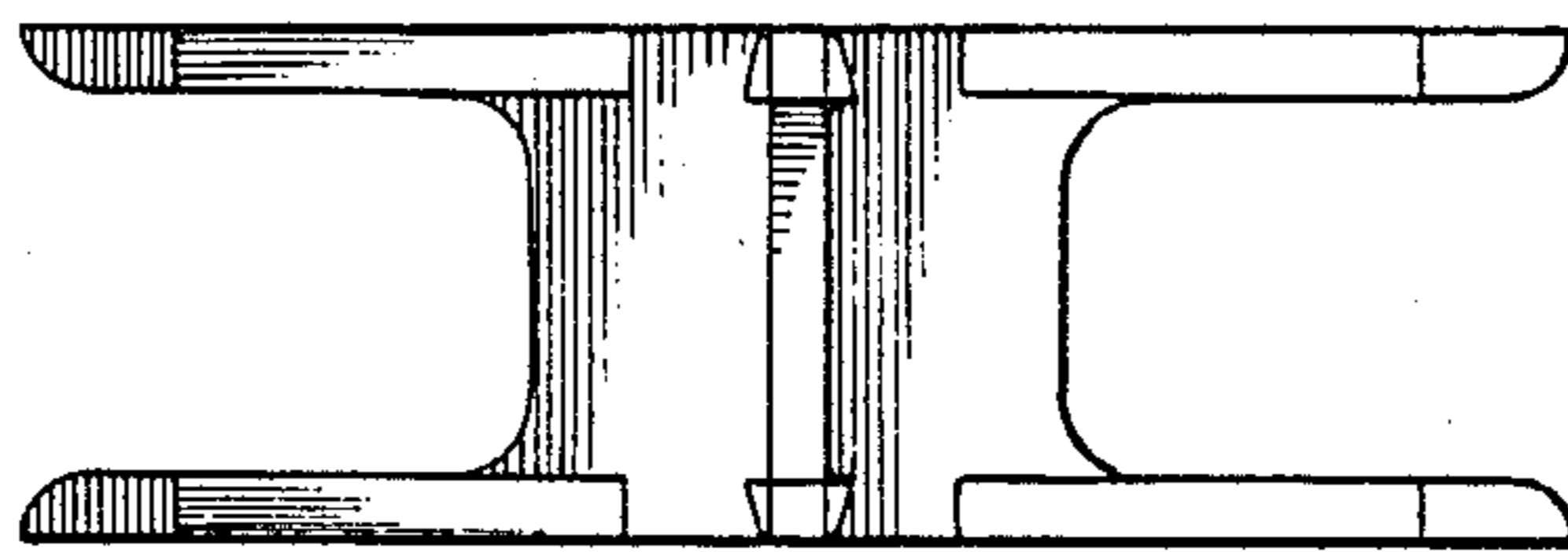


FIG. 7